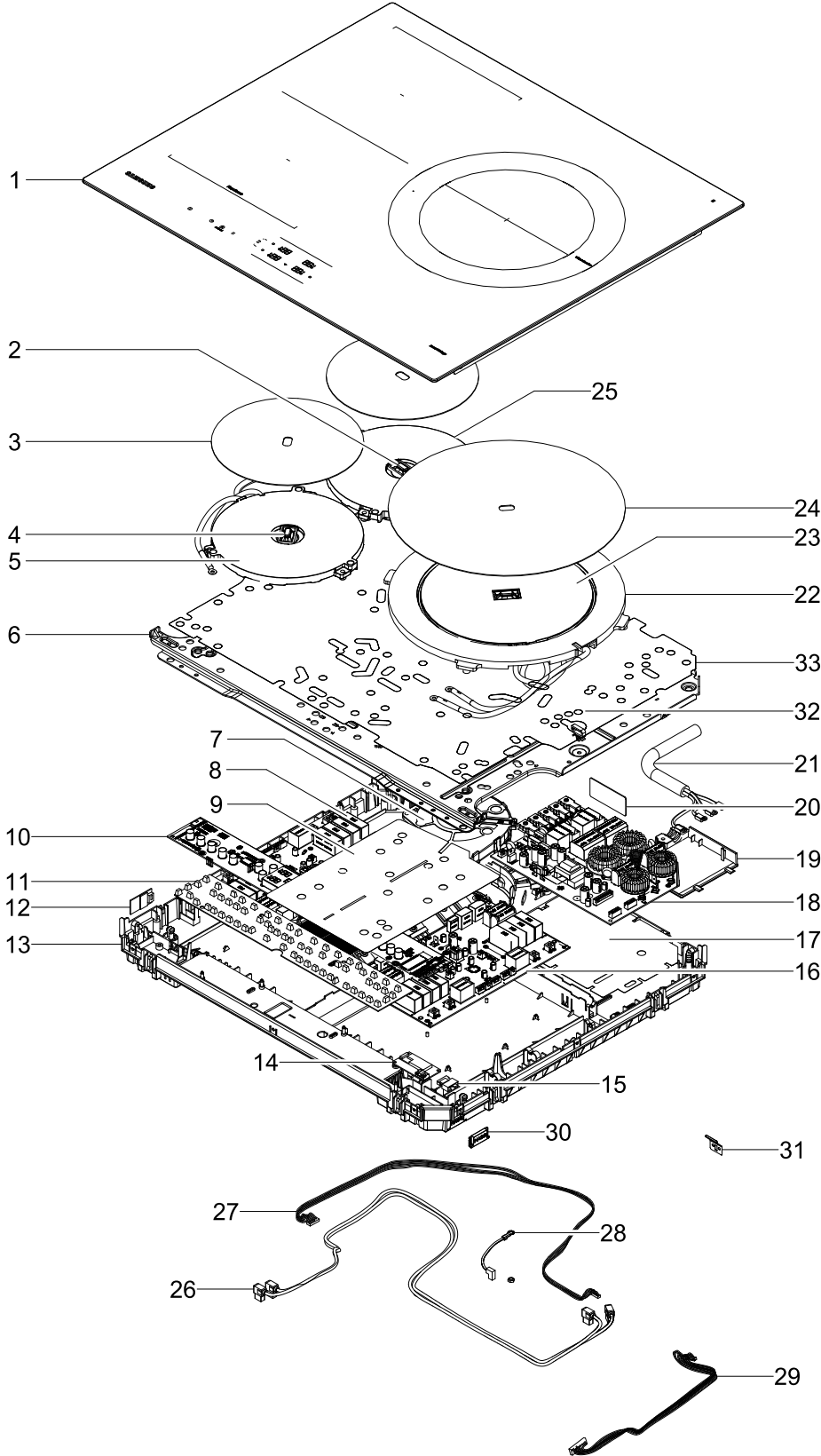


1. NZ63B5046GK/U2

NZ63B5046GK/U2

Exploded View



Parts List

No.	Lvl.	Loc.	Material Code	Description & Specification	SNA	Qty.
1	1		DG82-01353A	SVC ASSY-GLASS TOP PLATE; NZ63B5046GK/U1,	SA	1
2	1		DG81-03631A	SVC-TOP SENSOR 2P; NZ63B4026AK,1120100700	SA	1
3	1		DG81-03616A	SVC-INSULATION COIL 180MM; NZ63B4026AK,12	SA	2
4	1		DG81-03632A	SVC-TOP SENSOR 3P; NZ63B4026AK,1120100700	SA	2
5	1		DG81-03620A	SVC-WORKING COIL 180MM; NZ63B4026AK,17400	SA	1
6	1		DG81-03622A	SVC-BRACKET SHIELD; NZ63B4026AK,122660000	SA	1
7	1		DG81-03630A	SVC-MOTOR COOLING; NZ63B4026AK,1740080100	SA	1
8	1		DG82-01337A	SVC ASSY PBA-INVERTER (2 SINGLE); NZ63B40	SA	1
9	1		DG81-03626A	SVC-MICA SHEET INVERTER; NZ63B4026AK,1276	SA	1
10	1		DG82-01341A	SVC ASSY PBA-TOUCH DISPLAY; NZ63B5046FK,1	SA	1
11	1		DG81-03625A	SVC-HOLDER DISPLAY; NZ63B4026AK,126660000	SA	1
12	1		DG82-01328A	SVC ASSY PBA-BLUETOOTH; NZ63B4026AK,17166	SA	1
13	1		DG81-03623A	SVC-CASE BOTTOM; NZ63B4026AK,121660000089	SA	1
14	1		DG82-01327A	SVC ASSY PBA-WIFI; NZ63B4026AK,171660000	SA	1
15	1		DG82-01334A	SVC ASSY-WIRE HARNESS DC SIGNAL(HASS); NZ	SA	1
16	1		DG82-01339A	SVC ASSY PBA-INVERTER (DUAL RING); NZ63B4	SA	1
17	1		DG81-03627A	SVC-MICA SHEET FILTER PBA; NZ63B4026AK,12	SA	1
18	1		DG82-01340A	SVC ASSY PBA-FILTER; NZ63B4026AK,171660000	SA	1
19	1		DG81-03624A	SVC-COVER TERMINAL BLOCK; NZ63B4026AK,121	SA	1
20	1		DG81-03628A	SVC-MICA SHEET SIDE; NZ63B4026AK,127660000	SA	1
21	1		DG81-03327A	SVC POWER CORD; NZ63J9770EK/EG,1746600000	SA	1
22	1		DG81-03618A	SVC-WORKING COIL 280MM; NZ63B4026AK,17400	SA	1

No.	Lvl.	Loc.	Material Code	Description & Specification	SNA	Qty.
23	1		DG81-03619A	SVC-WORKING COIL 210MM; NZ63B4026AK,17400	SA	1
24	1		DG81-03615A	SVC-INSULATION COIL 280MM; NZ63B4026AK,12	SA	1
25	1		DG81-03642A	SVC-WORKING COIL 180MM; NZ64B5045FK,17400	SA	1
26	1		DG82-01335A	SVC ASSY-WIRE HARNESS POWER; NZ63B4026AK,	SA	2
27	1		DG82-01336A	SVC ASSY-WIRE HARNESS POWER; NZ63B4026AK,	SA	2
28	1		DG81-02858A	SVC-EARTH WIRE; NZ63R3727BK/UR,1746600000	SA	1
29	1		DG82-01343A	SVC ASSY-WIRE HARNESS DC SIGNAL(DISPLAY); SVC ASSY-WIRE HARNESS DC SIGNAL(DISPLAY)	SA	1
30	1		DG81-03629A	SVC-HASS COVER; NZ63B4026AK,1216600000895	SA	1
31	1		DG81-03635A	SVC-INSTALLATION BKT; NZ63B4026AK,1296600	SA	8
32	1		DG81-03347A	SVC-WIRE CLIP; NZ64K5747BK/EU,12166000000	SA	1
33	1		DG81-03643A	SVC-MICA_AL PLATE; SLIM INDUCTION 60CM AL	SA	1