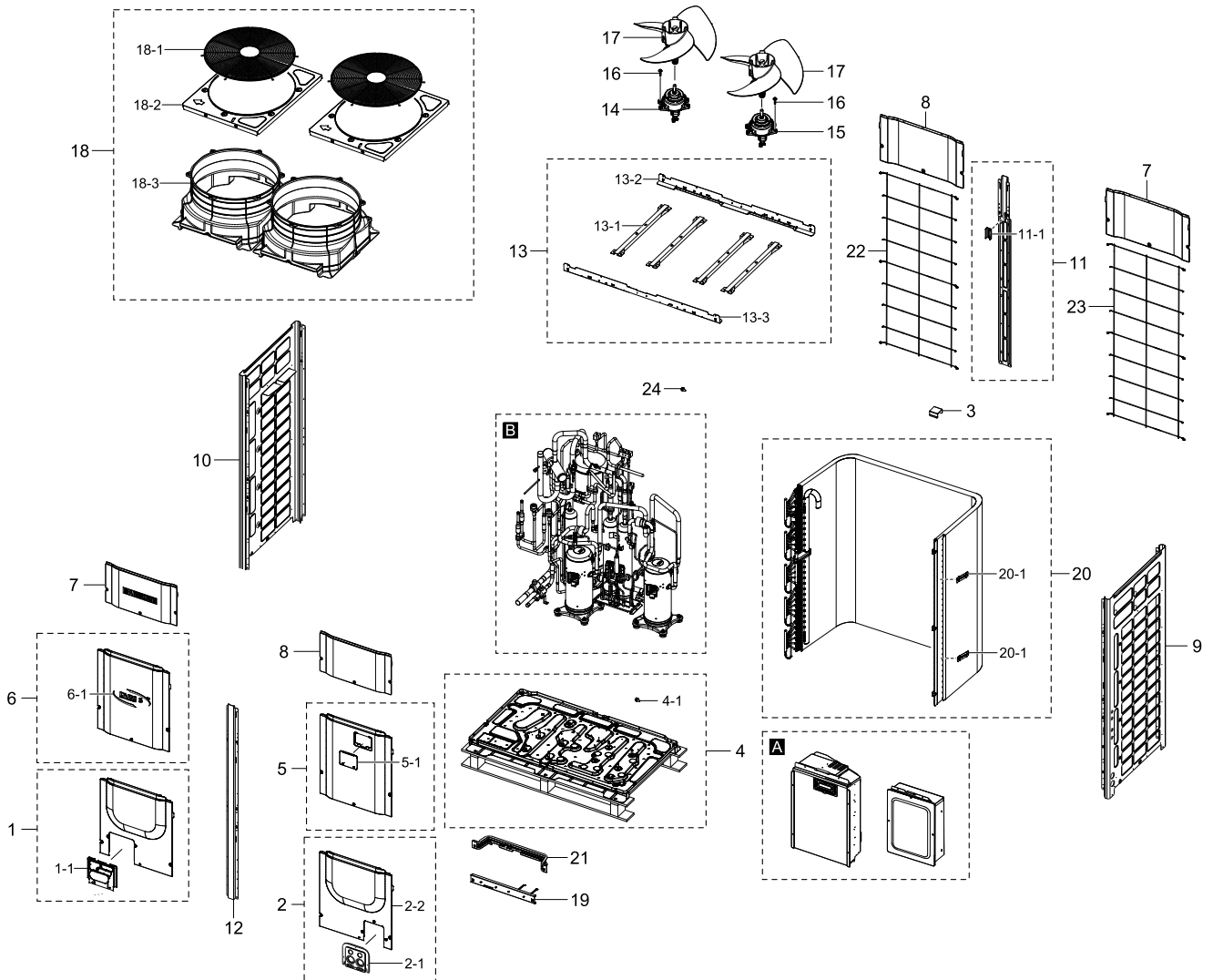


# 1. AM160FXVAGR/TK

## Exploded View



## Parts List

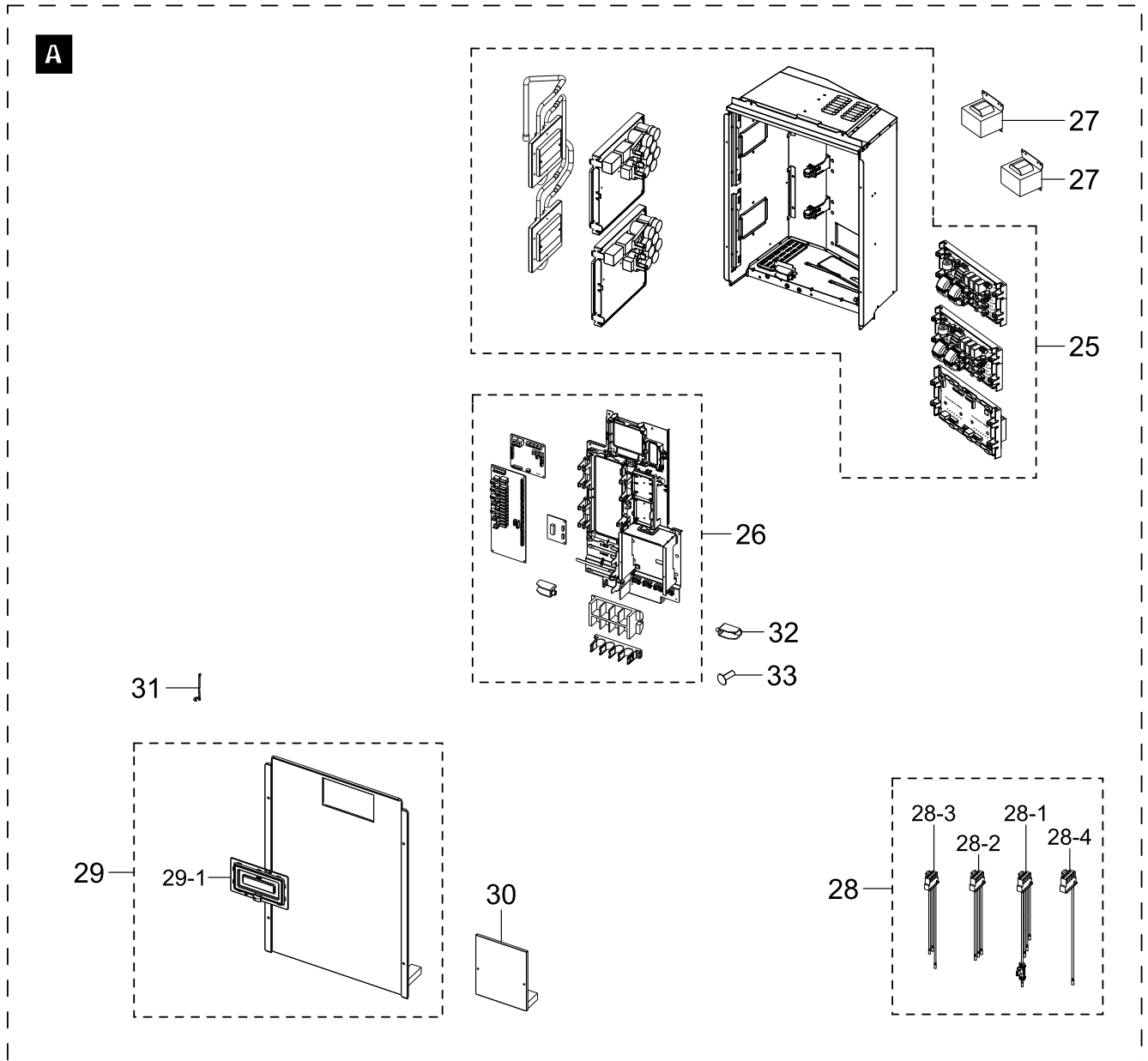
No.	Lvl.	Loc.	Material Code	Description & Specification	SNA	Qty.
1	2	A3110	DB90-05194D	ASSY CABI FRONT-LOW LF; RD200HHXH2,DVM PL	SA	1
1-1	3		DB61-04537B	PLATE-COVER INSTALLATION; EGI-SECC,T1,EAR	SA	1
2	2	A0145	DB90-08803A	ASSY CABI FRONT; DVM S,ASSY,2	SA	1
2-1	3		DB63-01441B	COVER-PLATE; RVXVHT100H1,EGI-SECC,T0.8,EA	SA	1
2-2	3	A3109	DB90-05193F	ASSY CABI FRONT-LOW RH; ADX200VGHHA1,DVM	SC	1
3	2		DB61-00533A	HOLDER-CLAMP COND; RVXMHF050GA,GI-SGCC,T0	SNA	1
4	2	A0092	DB90-07053B	ASSY BASE OUT; DVM S EU,20HP	SA	1
4-1	3		6011-007032	BOLT-HEX; M6,L12,Ni-Zn,SWRCH18A,HWH, Orga	SA	8
5	2	A3111	DB90-05195B	ASSY CABI FRONT-MID RH 20HP; RD200HHXH1,D	SA	1

Exploded Views and Parts List

No.	Lvl.	Loc.	Material Code	Description & Specification	SNA	Qty.
5-1	3		DB63-02406B	COVER-WINDOW DISPLAY; DVM PLUS 4,EGI-SECC	SA	1
6	2	A3112	DB90-05197E	ASSY CABI FRONT-MID LF 20HP; ADX200VGH1	SA	1
6-1	3		DB98-34406B	ASSY-LABEL LOGO DVM S; DVM S	SA	1
7	2		DB90-09162A	ASSY CABI FRONT-UP; AM260JXVAGH/SC	SA	2
8	2	A3113	DB90-05199E	ASSY CABINET-UPPER LF 20HP; RD200HHXH1,DV	SA	2
9	2	A0206	DB90-05200C	ASSY CABI SIDE-RH; RD200HHXH2,DVM PLUS 4	SA	1
10	2	A0204	DB90-05201C	ASSY CABI SIDE-LF; RD200HHXH2,DVM PLUS 4	SA	1
11	2	A3114	DB90-05218B	ASSY PLATE-BEAM; RD200HHXH1,DVM PLUS 4	SA	1
11-1	3		DB61-04272A	BRACKET-BACK BEAM 20HP; RD200HHXH1,EGI-SE	SA	1
12	2	A3115	DB90-05219C	ASSY CABI FRONT-BEAM; RD200HHXH1,DVM PLUS	SA	1
13	2	A2803	DB90-08893A	ASSY BRACKET MOTOR; DVM S,20HP	SNA	1
13-1	3	B0516	DB61-02255A	BRACKET MOTOR; DVM PLUS 2,SGHC_HGI,2,3,10	SA	4
13-2	3	A3102	DB90-05223A	ASSY-BACK BEAM UP 20HP; DVM PLUS4	SA	1
13-3	3	A2444	DB90-05224C	ASSY-FRONT BEAM UP 20HP; 20HP,DVM INVERTE	SA	1
14	2		DB31-00675E	MOTOR BLDC FAN; AC00675EMT,1200RPM,310V,6	SA	1
15	2		DB31-00675F	MOTOR BLDC FAN; AC00675FMT,1200RPM,310V,6	SA	1
16	2	C0212	6011-001183	BOLT-FLANGE; M6,L30,ZPC(WHITE),SWRCH18A	SA	8
17	2		DB94-03285B	ASSY FAN PROPELLER; DVM PLUS 4,575 PI, BL	SA	2
18	2	A2633	DB90-05487D	ASSY COVER TOP-20HP; RD200HHXH1	SA	2
18-1	3		DB63-02615B	GUARD FAN-SMALL PD; RD120HHXH1,MSWR,T1,DA	SA	2
18-2	3		DB63-02617C	COVER TOP-PD 20HP; RD200HHXH1,EGI-SECC,T1	SC	2
18-3	3	B0115	DB62-07398A	BELLOW-MOUTH 20HP; DVM PLUS3 UP,PP,-,-,-,	SA	2
19	2		DB90-05867B	ASSY-FRONT BEAM POWER BOX; RD200HHXH2,DVM	SA	1
20	2	A0590	DB96-14515A	ASSY COND OUT-16HP; DVM PLUS 4 UP	SA	1
20-1	3		DB61-04553A	BRACKET-COND 7PI; RD200HRXH1,GI-SGCC,T1	SA	2
21	2	A3116	DB90-05225G	ASSY-FRONT BEAM CONTROL BOX 20HP; DVM PLU	SA	1
22	2		DB90-09851A	ASSY GUARD-COND; AM140FXVAGH/EU,LF	SA	1
23	2		DB90-09852A	ASSY GUARD-COND; AM140FXVAGH/EU,RH	SA	1
24	2		6011-007032	BOLT-HEX; M6,L12,Ni-Zn,SWRCH18A,HWH, Orga	SA	13

## 2. ASSY CONTROL OUT PARTS

### Exploded View



### Parts List

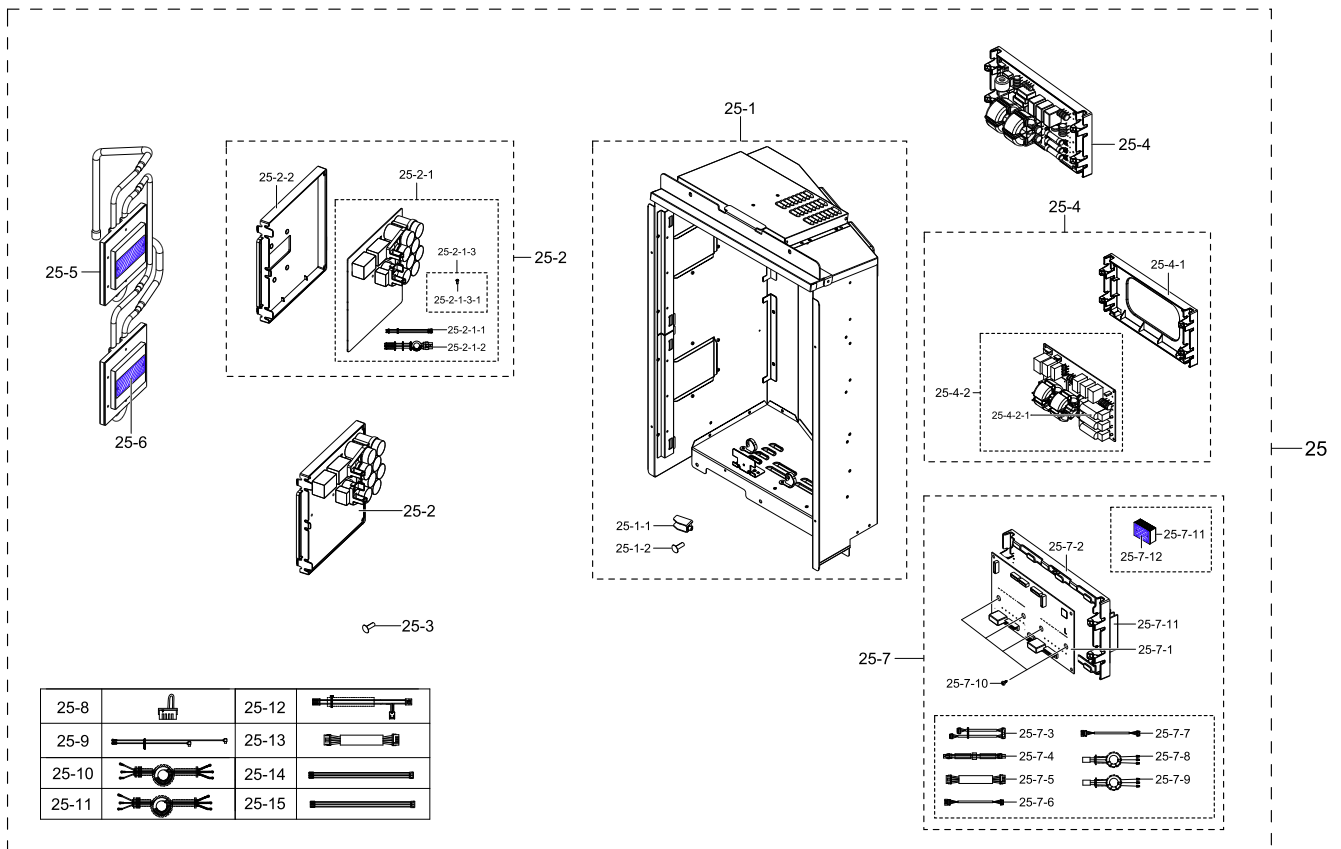
No.	Lvl.	Loc.	Material Code	Description & Specification	SNA	Qty.
25	2	A0700	DB93-13284C	ASSY CONTROL OUT-BOX; INV,14HP,INVERTER S	SNA	1
26	2		DB93-13285C	ASSY CONTROL-FRONT; R410A,INVERTER SCROLL	SNA	1
27	2	C0607	DB27-00095A	COIL HARMONIC; 2mH,85.8*32.0,23A,SCREW	SA	2
28	2	A3061	DB95-05010D	ASSY THERMISTOR-TOTAL; 103AT,AC,-,-,-,-,2	SA	1
28-1	3		DB95-04716D	ASSY-THERMISTOR WIRE; 204CTB,AC,-,-,-,-,2	SA	1
28-2	3		DB95-04717D	ASSY-THERMISTOR WIRE; 103AT,AC,-,-,-,-,20	SA	1
28-3	3		DB95-04718D	ASSY-THERMISTOR WIRE; 103AT,AC,-,-,-,-,20	SA	1

Exploded Views and Parts List

No.	Lvl.	Loc.	Material Code	Description & Specification	SNA	Qty.
28-4	3	A2554	DB95-05125A	ASSY THERMISTOR; 103AT,AC,200,10	SA	1
29	2	A2788	DB90-06765B	ASSY COVER CONTROL-BOX; DVM S	SA	1
29-1	3	RB220	DB90-03829B	ASSY-WINDOW DISPLAY; RD***HHXH2,DVM PLUS	SA	1
30	2		DB90-07288A	ASSY COVER-POWER TERMINAL; DVM PLUS S	SA	1
31	2	S0242	DB81-00635A	SPRING ETC-SENSOR; DVM-SYSTEM,STS304,R2.5	SA	8
32	2		DB61-05409A	HOLDER-CONTROL HINGE; DVM PLUS S,ABS,T2.5	SA	1
33	2	S0025	6002-000481	SCREW-TAPPING; TH,+,NO,2S,M4.0,L12,NI PLT	SA	8

### 3. ASSY CONTROL OUT-BOX

#### Exploded View



#### Parts List

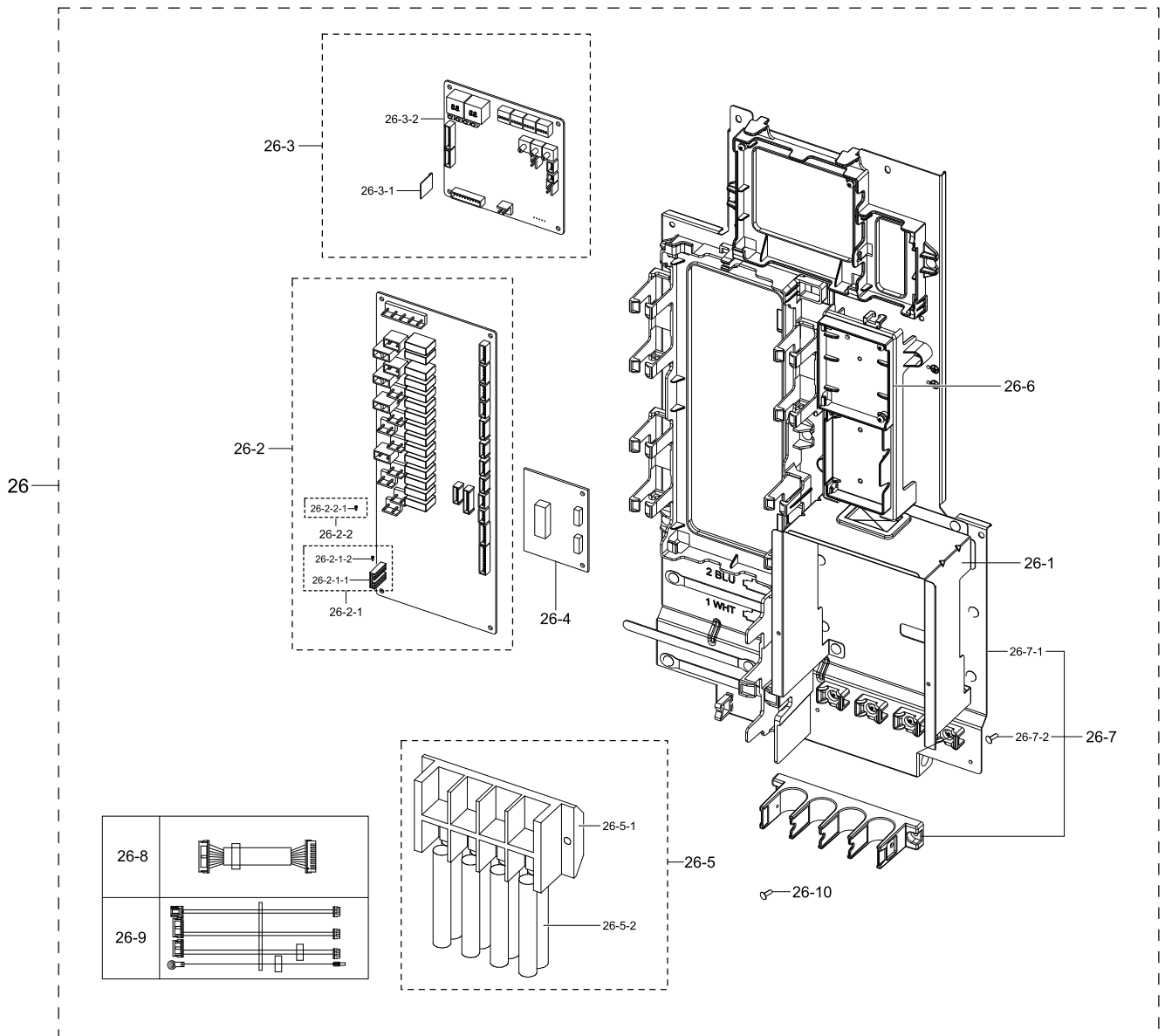
No.	Lvl.	Loc.	Material Code	Description & Specification	SNA	Qty.
25	2	A0700	DB93-13284C	ASSY CONTROL OUT-BOX; INV,14HP,INVERTER S	SNA	1
25-1	3	A3143	DB90-07099A	ASSY PLATE-CONTROL; DVM PLUS S	SA	1
25-1-1	4		DB61-05409A	HOLDER-CONTROL HINGE; DVM PLUS S,ABS,T2.5	SA	1
25-1-2	4	S0025	6002-000481	SCREW-TAPPING; TH,+,NO,2S,M4.0,L12,NI PLT	SA	1
25-2	3		DB92-03527B	ASSY KIT; OUTDOOR,13K_DVM_12K-DVMINV,DVM	SNA	2
25-2-1	4		DB92-03526B	ASSY PCB INVERTER; INVERTER,13K_DVM_12K-D	SA	2
25-2-1-1	5	A2610	DB93-12380A	ASSY CONNECTOR WIRE-REACTOR; 2,3321,12,WH	SA	2
25-2-1-2	5	A0664	DB93-11492B	ASSY CONNECTOR WIRE-POWER; 3,1015,12,BRN,	SA	2
25-2-1-3	5		DB94-05491A	ASSY HEAT SINK 1; INVERTER,13K_DVM_12K-DV	SNA	2
25-2-1-3-1	6	S0025	6002-000630	SCREW-TAPPING; PH,+,2S,M3,L8,ZPC(WHT),SWR	SA	2
25-2-2	4		DB61-04920A	CASE-INVERTER PCB; DVM INVERTER,ABS,T2.5,	SA	2
25-3	3	S0025	6002-000481	SCREW-TAPPING; TH,+,NO,2S,M4.0,L12,NI PLT	SA	16
25-4	3		DB93-12089C	ASSY KIT; SUB,DVM S,EMI '40A,Y	SA	2

Exploded Views and Parts List

No.	Lvl.	Loc.	Material Code	Description & Specification	SNA	Qty.
25-4-1	4		DB61-04921A	CASE-EMI PCB; DVM INVERTER,ABS,T2.5,BLACK	SA	2
25-4-2	4	A1781	DB93-13529A	ASSY PCB SUB-EMI; SUB,DVM S,230*130,230V(	SA	2
25-4-2-1	5		3601-001909	FUSE-ETC; 690V,40A,TIME-LAG,CERAMIC,47.5x	SNA	6
25-5	3		DB96-17068B	ASSY TUBE-MAIN COOLING; AM200FXVGGH1,DVMS	SA	1
25-6	3		0205-000178	GREASE-SILICON; YG6111,WHITE, for assembl	SA	1.4
25-7	3		DB93-11808E	ASSY CONTROL-FAN; OUTDOOR,DVM S,-,Y	SC	1
25-7-1	4	A2748	DB92-02807A	ASSY PCB MAIN; FAN,DVM S USA,230*130,N,N,	SA	1
25-7-2	4		DB61-04919A	CASE-BLDC FAN PCB; DVM INVERTER,ABS,T2.5,	SA	1
25-7-3	4		DB93-11485A	ASSY CONNECTOR WIRE-BLDC COMM; 8,2095,26,	SA	1
25-7-4	4	A0664	DB93-11491A	ASSY CONNECTOR WIRE-POWER; 2,1015,18,YEL,	SA	1
25-7-5	4	A2934	DB93-11520C	ASSY CONNECTOR WIRE-COMM; 4,2095,26,RED,S	SA	1
25-7-6	4	A3118	DB93-11906A	ASSY CONNECTOR WIRE-BLDC HALL; 6,2095,24,	SA	1
25-7-7	4	A3118	DB93-11906B	ASSY CONNECTOR WIRE-BLDC HALL; 6,2095,24,	SA	1
25-7-8	4	A0657	DB93-11500E	ASSY CONNECTOR WIRE-MOTOR; 3,1015,18,RED,	SA	1
25-7-9	4	A0657	DB93-11500F	ASSY CONNECTOR WIRE-MOTOR; 3,1015,18,RED,	SA	1
25-7-10	4	A2876	DB91-00307A	ASSY-SCREW MACHINE; WW-INV,M4*16,WSP,PH,+	SA	12
25-7-11	4	H0034	DB62-10633A	HEAT SINK; Al,40,102*72,SILVER	SA	2
25-7-12	4		0205-000178	GREASE-SILICON; YG6111,WHITE, for assembl	SA	0.001
25-8	3		DB93-12405A	ASSY CONNECTOR WIRE-INVERTER SHORT; 1,156	SA	1
25-9	3		DB93-13226A	ASSY CONNECTOR WIRE-TOTAL POWER; 2,1015,1	SA	1
25-10	3		DB93-13282A	ASSY CONNECTOR WIRE-INVERTER COMP; 3,3321	SA	1
25-11	3		DB93-13282B	ASSY CONNECTOR WIRE-INVERTER COMP; 3,3321	SA	1
25-12	3		DB93-13412A	ASSY CONNECTOR WIRE-HUB HIGH PRESSURE; 4,	SA	1
25-13	3	A2934	DB93-11520B	ASSY CONNECTOR WIRE-COMM; 4,1007,26,RED,S	SA	1
25-14	3		DB93-11522A	ASSY CONNECTOR WIRE-INV 220; 3,1015,18,BR	SA	1
25-15	3		DB93-11522B	ASSY CONNECTOR WIRE-INV 220; 3,1015,18,BR	SA	1

# 4. ASSY CONTROL-FRONT

## Exploded View



## Parts List

No.	Lvl.	Loc.	Material Code	Description & Specification	SNA	Qty.
26	2		DB93-13285C	ASSY CONTROL-FRONT; R410A,INVERTER SCROLL	SNA	1
26-1	3		DB90-07287B	ASSY PLATE-CONTROL; AM9000H	SA	1
26-2	3	A2748	DB92-04466A	ASSY PCB MAIN; HUB,DVM S,295*112,220V~240	SA	1
26-2-1	4		DB94-05068A	ASSY HEAT SINK 1; MAIN,DVM S,295*112,220V	SNA	1
26-2-1-1	5		0205-000178	GREASE-SILICON; YG6111,WHITE, for assembl	SA	0.5
26-2-1-2	5	S0025	6002-000630	SCREW-TAPPING; PH,+,2S,M3,L8,ZPC(WHT),SWR	SA	1
26-2-2	4		DB94-05069A	ASSY HEAT SINK 2; MAIN,DVM S,295*112,220V	SNA	1

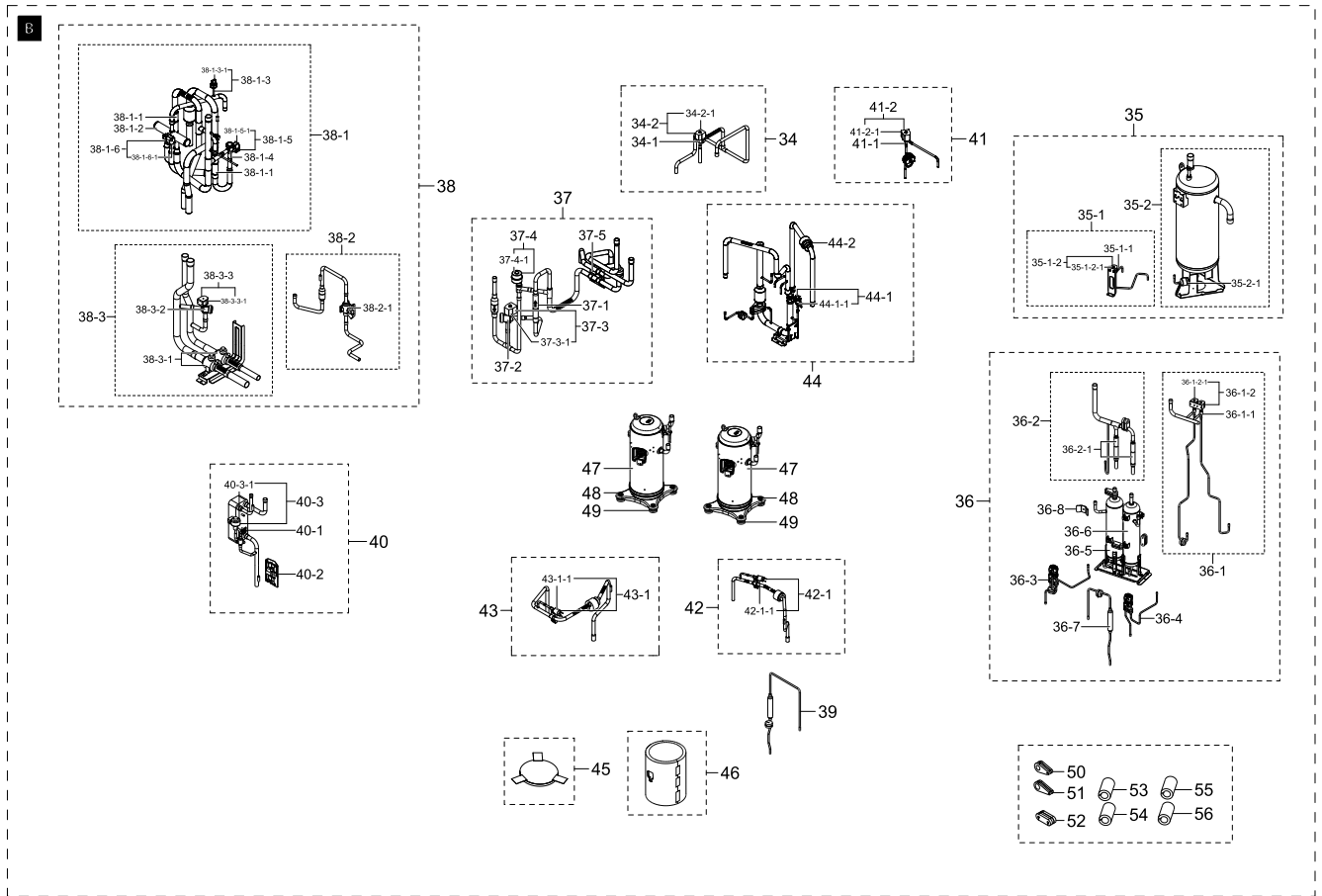
Exploded Views and Parts List

No.	Lvl.	Loc.	Material Code	Description & Specification	SNA	Qty.
26-2-2-1	5	S0025	6002-000630	SCREW-TAPPING; PH,+,2S,M3,L8,ZPC(WHT),SWR	SA	1
26-3	3		DB92-04570A	ASSY KIT; OUTDOOR,DVM S High Effi,Main Ki	SA	1
26-3-1	4		DB93-12483A	ASSY PCB SUB-EEPROM; SUB,DVMPLUS4 UP,20*2	SA	1
26-3-2	4	A2748	DB92-03752B	ASSY PCB MAIN; MAIN,DVM S High Effi,112*1	SA	1
26-4	3	A2574	DB93-13404A	ASSY PCB SUB-COMM; SUB,DVM S,80*60,-,-,-,	SA	1
26-5	3		DB95-05012A	ASSY-CONNECTOR WIRE TERMINAL B; DVM PLUS	SA	1
26-5-1	4	T0180	DB65-00232B	TERMINAL BLOCK-3PHASE; DVM PLUS 3,TERMINA	SA	1
26-5-2	4	A0664	DB93-13227A	ASSY CONNECTOR WIRE-POWER; 8,1015,12,BRN,	SA	1
26-6	3		DB61-05404A	CASE-TERMINAL 6P; DVM S,ABS,T2.5,BLACK	SA	1
26-7	3		DB90-07100A	ASSY PLATE-BEAM; AM220HXVHHH1,-	SA	1
26-7-1	4		DB61-05401A	PLATE-CONTROL BOX FRONT; GI-SGCC,T1,DVM P	SA	1
26-7-2	4	S0025	6002-000481	SCREW-TAPPING; TH,+,NO,2S,M4.0,L12,NI PLT	SA	11
26-8	3		DB93-11521B	ASSY CONNECTOR WIRE-DC SIGNAL; 9,2095,26,	SA	1
26-9	3		DB93-13184A	ASSY CONNECTOR WIRE-OUTDOOR COMM; 7,1569,	SA	1
26-10	3	S0025	6002-000481	SCREW-TAPPING; TH,+,NO,2S,M4.0,L12,NI PLT	SA	8



# 5. ASSY TUBE OUT PARTS

## Exploded View



## Parts List

No.	Lvl.	Loc.	Material Code	Description & Specification	SNA	Qty.
34	2	A3131	DB96-16908A	ASSY TUBE-EVI BYPASS 20HP; DVM INVERTER 2	SA	1
34-1	3	V0038	DB62-07588A	VALVE SOLENOID; BRASS,5.8mm,7.94mm	SA	1
34-2	3	A2106	DB95-02052Z	ASSY-SOLENOID COIL; DVM+S	SA	1
34-2-1	4	V0039	DB62-07589B	VALVE COIL-SOLENOID; AC220-240V,1500,Sol,	SA	1
35	2		DB96-21251A	ASSY TUBE-ACCUMULATOR; DVM S	SNA	1
35-1	3		DB96-16918A	ASSY TUBE-ACCUM OIL VALVE 20HP; DVM INVER	SA	1
35-1-1	4	V0038	DB62-04149A	VALVE SOLENOID; A/C,BRASS,blue,1.9	SC	1
35-1-2	4		DB95-04865H	ASSY-OIL RETURN TUBE COIL; DVM S	SA	1
35-1-2-1	5	V0039	DB62-04150A	VALVE COIL SOLENOID; AC220-240V,2400,Sol,	SA	1
35-2	3	A0316	DB96-16928A	ASSY-ACCUMULATOR 20HP; DVM S,20HP	SA	1
35-2-1	4	T0128	DB62-11876A	TUBE-FILTER; DVM S,C1220T-H,T1.4,OD38.1,N	SA	1
36	2		DB96-17321A	ASSY TUBE TANK; ADX160VGHHXB1,DVM INV 2	SA	1

Exploded Views and Parts List

No.	Lvl.	Loc.	Material Code	Description & Specification	SNA	Qty.
36-1	3		DB96-17291A	ASSY TUBE-VAPOR INJECTION 16HP; ADX160VGH	SA	1
36-1-1	4	V0038	DB62-07588A	VALVE SOLENOID; BRASS,5.8mm,7.94mm	SA	2
36-1-2	4	A2106	DB95-04555F	ASSY-SOLENOID COIL; DVM+S	SC	1
36-1-2-1	5	V0039	DB62-07589A	VALVE COIL-SOLENOID; AC220-240V,2000,Sol,	SA	2
36-2	3		DB96-17292A	ASSY TUBE CHECK-OIL SEPARATOR; ADX160VGHH	SA	1
36-2-1	4	V0020	DB62-06188B	VALVE CHECK; „5/8",1-1	SA	2
36-3	3		DB96-17293A	ASSY TUBE-OIL RETURN A 16HP; ADX160VGHHXB	SA	1
36-4	3		DB96-17294A	ASSY TUBE CAPILLARY-OIL SEPARATOR; ADX160	SA	1
36-5	3		DB96-17639A	ASSY-OIL SEPARATOR C; DVM S	SA	1
36-6	3		DB96-17640A	ASSY-OIL SEPARATOR D; DVM S	SA	1
36-7	3		DB96-17648A	ASSY TUBE-VI 1COMP 20HP; ADX200VGHHA1,DVM	SA	1
36-8	3		DB61-05354A	BRACKET-OIL SEPA FIX; ADX200VGHXHB1,SGCC-	SA	1
37	2		DB96-17948A	ASSY TUBE-EXPANSION VV HR 16HP; DVM S HR,	SNA	1
37-1	3	V0020	DB62-06190B	VALVE CHECK; „1/2",1-1	SA	1
37-2	3	V0038	DB62-09632A	VALVE SOLENOID; „11,12.7	SA	1
37-3	3	A2106	DB95-05076C	ASSY-SOLENOID COIL; DVM S HR	SA	1
37-3-1	4	V0039	DB62-07589B	VALVE COIL-SOLENOID; AC220-240V,1500,Sol,	SA	1
37-4	3	A0498	DB96-14558E	ASSY-VALVE EXPANSION; HPR410A,DVM PLUS S	SA	1
37-4-1	4		DB62-09643A	VALVE GEAR EXPAN; 8.0,2500,2000	SA	1
37-5	3		DB90-07310A	ASSY BRACKET-EXPANSION FRONT; ADX200VGHHA	SA	1
38	2		DB96-17962A	ASSY TUBE-4WAY GAS BALL VV HR 16HP; DVM S	SA	1
38-1	3		DB96-17964A	ASSY TUBE-4WAY MAIN COOLING HR 16HP; DVM	SA	1
38-1-1	4	V0020	DB62-06187B	VALVE CHECK; „1-1,19.05	SA	2
38-1-2	4	V0010	DB62-03348A	VALVE 4WAY; „-,Common,10	SA	1
38-1-3	4	A3145	DB95-01549T	ASSY-SENSOR HIGH PRESSURE COIL; DVM+S	SA	1
38-1-3-1	5	S0030	DB32-00194A	SENSOR PRESSURE; Refrigerant,5,5.0MPa,200	SA	1
38-1-4	4	V0038	DB62-09633A	VALVE SOLENOID; „-,13	SA	1
38-1-5	4	A2106	DB95-05076A	ASSY-SOLENOID COIL; DVM S HR	SA	1
38-1-5-1	5	V0039	DB62-07589B	VALVE COIL-SOLENOID; AC220-240V,1500,Sol,	SA	1
38-1-6	4	A2855	DB96-13291B	ASSY-4WAY VALVE COIL; DVM PLUS4,ASSY	SA	1
38-1-6-1	5	S0100	DB33-00047B	VALVE COIL SOLENOID; AC220-240V,2000,4way	SA	1
38-2	3		DB96-17954A	ASSY TUBE-LQD BALL EEV HR 16HP; DVM S HR	SA	1

No.	Lvl.	Loc.	Material Code	Description & Specification	SNA	Qty.
38-2-1	4	A2865	DB62-07618A	VALVE SERVICE-BALL; BRASS,PIPE,R410A,12.8	SA	1
38-3	3		DB96-17952A	ASSY TUBE-GAS BALL VV HR 16HP; DVM S HR	SA	1
38-3-1	4	A2865	DB62-07613A	VALVE SERVICE-BALL; -,BRASS,-,-,-,-,-,-,-	SA	2
38-3-2	4	V0038	DB62-09633A	VALVE SOLENOID; .,-,13	SA	1
38-3-3	4	A2106	DB95-05076E	ASSY-SOLENOID COIL; DVM S HR	SA	1
38-3-3-1	5	V0039	DB62-07589B	VALVE COIL-SOLENOID; AC220-240V,1500,Sol,	SA	1
39	2		DB96-17649A	ASSY TUBE-VI 2COMP 20HP; ADX200VGHHA1,DVM	SA	1
40	2		DB96-18614A	ASSY TUBE SUBCOOLER; DVM S	SA	1
40-1	3	V0001	DB62-04065A	VALVE EXPAN; STS304,1.65mm,500	SC	1
40-2	3		DB62-11717A	SEAL COVER; PE FOAM,GRAY,T10,W150	SA	1
40-3	3	A0016	DB96-13204K	ASSY-VALVE EXPAN COIL; DVM+S	SC	1
40-3-1	4		DB62-11205B	VALVE COIL EXPAN; DC12V,COIL,2000,15.45,M	SA	1
41	2		DB96-17081A	ASSY TUBE-HOT GAS; DVM INVERTER 2,12HP	SA	1
41-1	3	V0038	DB62-04149A	VALVE SOLENOID; A/C,BRASS,blue,1.9	SC	1
41-2	3		DB95-04865G	ASSY-OIL RETURN TUBE COIL; DVM INVERTER	SA	1
41-2-1	4	V0039	DB62-04150A	VALVE COIL SOLENOID; AC220-240V,2400,Sol,	SA	1
42	2		DB96-17289A	ASSY TUBE DISCHARGE-B 16HP; ADX160VGHXBI	SA	1
42-1	3		DB95-04864B	ASSY SWITCH PRESSURE; -,-,-,-,-,-,-,-,-	SC	1
42-1-1	4	RJ101	DB34-00071B	SWITCH PRESSURE; AC 250V/DC 12V,AC 16A/DC	SA	1
43	2		DB96-17288A	ASSY TUBE DISCHARGE-A 16HP; ADX160VGHXBI	SA	1
43-1	3		DB95-04864C	ASSY SWITCH PRESSURE; -,-,-,-,-,-,-,-,-	SC	1
43-1-1	4	RJ101	DB34-00071B	SWITCH PRESSURE; AC 250V/DC 12V,AC 16A/DC	SA	1
44	2	A0045	DB96-17287B	ASSY TUBE SUCTION; DVM S,FILTERLESS TYPE,	SA	1
44-1	3		DB95-04866F	ASSY-SENSOR LOW PRESSURE COIL; DVM S,ADX2	SA	1
44-1-1	4		DB32-00195A	SENSOR PRESSURE; Refrigerant,5,2.0MPa,200	SA	1
44-2	3		DB67-01268A	WEIGHT RUBBER; DVM PLUS S,NR,BLACK,OD 22.	SA	1
45	2		DB63-03738A	CLOTH COMP-TOP OUT; EVAR/FELT,T1.5+T15	SA	2
46	2		DB63-03737A	CLOTH COMP-SIDE; EVAR/FELT,T1.5+T15	SA	2
47	2		DS-GB052FAVBSG	SCP,COMP,SCP,,R410A; SCP,COMP,SCP,,R410A		2
48	2	S0018	DB60-30028A	NUT-FLANGE; HWH,M8,ZPC(WHT),SWRCH18A,P1.2	SA	10
49	2		DB63-03269A	GROMMET-COMP INVERTER; NR	SA	8
50	2		DB61-05571A	SUPPORT-RUBBER; AM200MXVAFCA,CHLOROPRENE	SNA	1

## Exploded Views and Parts List

No.	Lvl.	Loc.	Material Code	Description & Specification	SNA	Qty.
51	2		DB61-05574A	SUPPORT-RUBBER; ADX200VGHHA1,CHLOROPRENE	SNA	1
52	2		DB73-00533A	RUBBER-SUPPORT 7 7 42; DVM PLUS4,CHLOROPR	SNA	1
53	2		DB62-03808A	INSULATION-HOLDER SENSOR; PP FOAM+PE FOAM	SNA	2
54	2		DB62-03808C	INSULATION-HOLDER SENSOR; PP FOAM+PE FOAM	SNA	4
55	2		DB62-03808E	INSULATION-HOLDER SENSOR; PP FOAM+PE FOAM	SNA	1
56	2		DB62-04154C	INSULATION-HOLDER WIRE; PE FOAM,8,ID 20,5	SNA	2