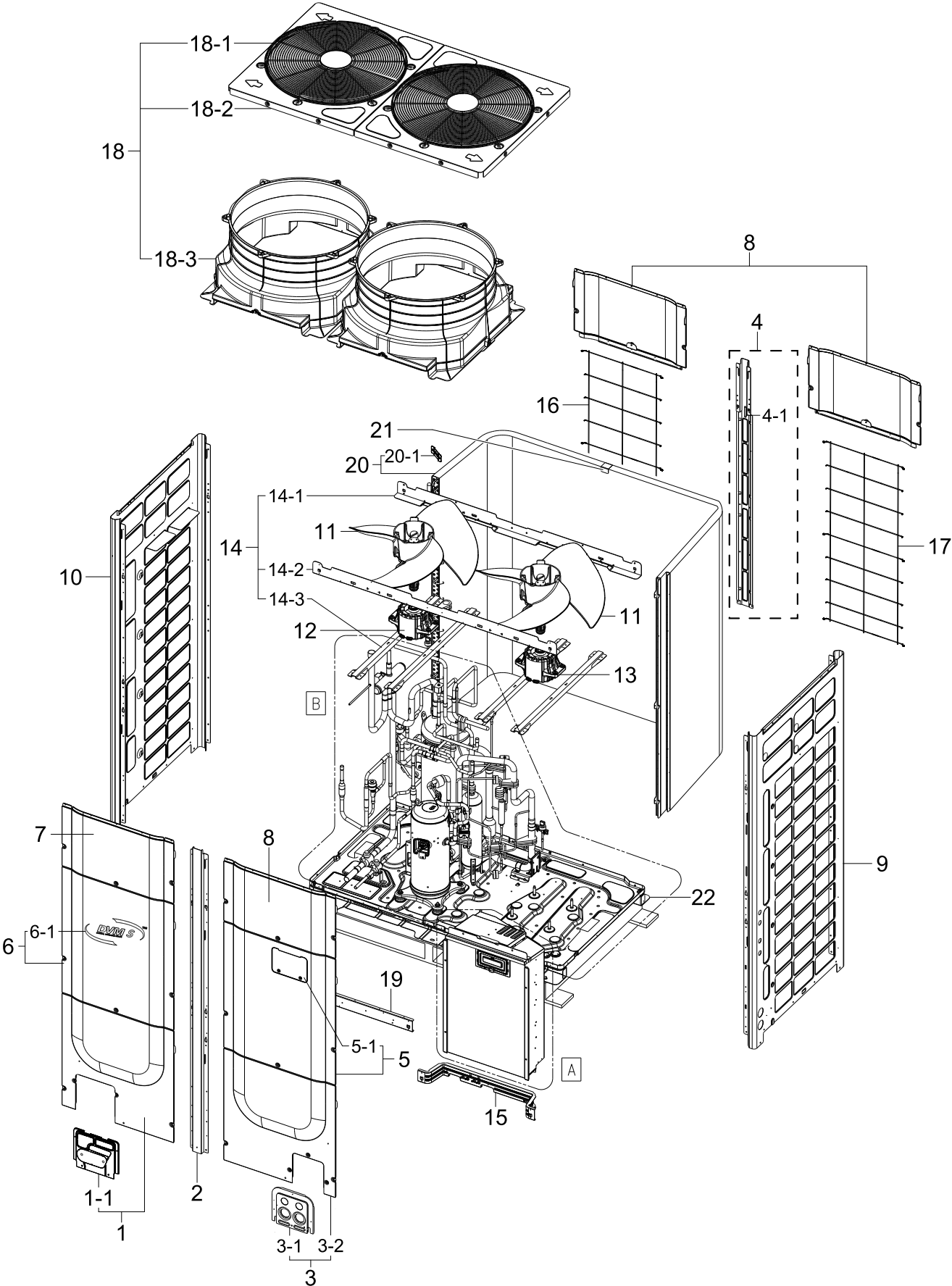


# 1. AM160FXVAGR/TK

## Exploded View



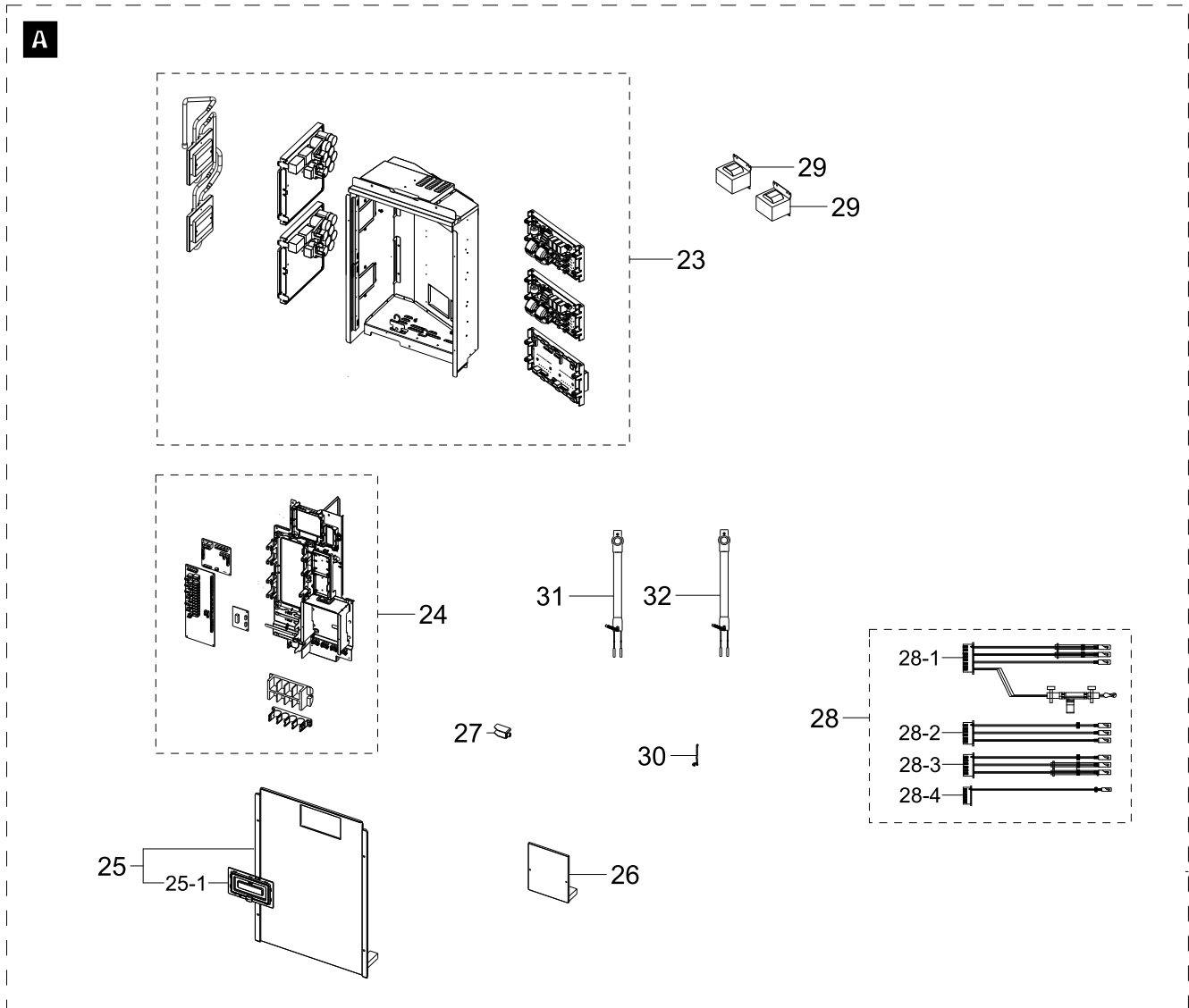
**Parts List**

No.	Lvl.	Loc.	Material Code	Description & Specification	SNA	Qty.
1	2	A3110	DB90-05194D	ASSY CABI FRONT-LOW LF; RD200HHXH2,DVM PL	SA	1
1-1	3		DB61-04537B	PLATE-COVER INSTALLATION; EGI-SECC,T1,EAR	SA	1
2	2	A3115	DB90-05219C	ASSY CABI FRONT-BEAM; RD200HHXH1,DVM PLUS	SA	1
3	2	A0145	DB90-08803A	ASSY CABI FRONT; DVM S,ASSY,2	SA	1
3-1	3		DB63-01441B	COVER-PLATE; RVXVHT100H1,EGI-SECC,T0.8,-,	SA	1
3-2	3	A3109	DB90-05193F	ASSY CABI FRONT-LOW RH; ADX200VGHHA1,DVM	SC	1
4	2	A3114	DB90-05218B	ASSY PLATE-BEAM; RD200HHXH1,DVM PLUS 4	SA	1
4-1	3		DB61-04272A	BRACKET-BACK BEAM 20HP; RD200HHXH1,EGI-SE	SA	1
5	2	A3111	DB90-05195B	ASSY CABI FRONT-MID RH 20HP; RD200HHXH1,D	SA	1
5-1	3		DB63-02406B	COVER-WINDOW DISPLAY; DVM PLUS 4,EGI-SECC	SA	1
6	2	A3112	DB90-05197E	ASSY CABI FRONT-MID LF 20HP; ADX200VGHHB1	SA	1
6-1	3		DB98-34406B	ASSY-LABEL LOGO DVM S; DVM S	SA	1
7	2		DB90-09162A	ASSY CABI FRONT-UP; AM260JXVAGH/SC	SA	2
8	2	A3113	DB90-05199E	ASSY CABINET-UPPER LF 20HP; RD200HHXH1,DV	SA	2
9	2	A0206	DB90-05200C	ASSY CABI SIDE-RH; RD200HHXH2,DVM PLUS 4	SA	1
10	2	A0204	DB90-05201C	ASSY CABI SIDE-LF; RD200HHXH2,DVM PLUS 4	SA	1
11	2		DB94-03285B	ASSY FAN PROPELLER; DVM PLUS 4,575 PI, BL	SA	2
12	2		DB31-00675E	MOTOR BLDC FAN; AC00675EMT,1200RPM,310V,6	SA	1
13	2		DB31-00675F	MOTOR BLDC FAN; AC00675FMT,1200RPM,310V,6	SA	1
14	2	A2803	DB90-08893A	ASSY BRACKET MOTOR; DVM S,20HP	SNA	1
14-1	3	A3102	DB90-05223A	ASSY-BACK BEAM UP 20HP; DVM PLUS4	SA	1
14-2	3	A2444	DB90-05224C	ASSY-FRONT BEAM UP 20HP; 20HP,DVM INVERTE	SA	1
14-3	3	B0516	DB61-02255A	BRACKET MOTOR; DVM PLUS 2,SGHC_HGI,2.3,10	SA	4
15	2	A3116	DB90-05225G	ASSY-FRONT BEAM CONTROL BOX 20HP; DVM PLU	SA	1
16	2		DB90-09851A	ASSY GUARD-COND; AM140FXVAGH/EU,LF	SA	1
17	2		DB90-09852A	ASSY GUARD-COND; AM140FXVAGH/EU,RH	SA	1
18	2	A2633	DB90-05487D	ASSY COVER TOP-20HP; RD200HHXH1	SA	2
18-1	3		DB63-02615B	GUARD FAN-SMALL PD; RD120HHXH1,MSWR,T1,DA	SA	2
18-2	3		DB63-02617C	COVER TOP-PD 20HP; RD200HHXH1,EGI-SECC,T1	SC	2
18-3	3	B0115	DB62-07398A	BELLOW-MOUTH 20HP; DVM PLUS3 UP,PP,SC-900	SA	2
19	2		DB90-05867B	ASSY-FRONT BEAM POWER BOX; RD200HHXH2,DVM	SA	1
20	2	A0590	DB96-14515A	ASSY COND OUT-16HP; DVM PLUS 4 UP	SA	1
20-1	3		DB61-04553A	BRACKET-COND 7PI; RD200HRXH1,GI-SGCC,T1	SA	2

No.	Lvl.	Loc.	Material Code	Description & Specification	SNA	Qty.
21	2		DB61-00533A	HOLDER-CLAMP COND; RVXMHF050GA,GI-SGCC,T0	SNA	1
22	2	A0092	DB90-07053B	ASSY BASE OUT; DVM S EU,20HP	SA	1

## 2. ASSY CONTROL OUT PARTS

### Exploded View



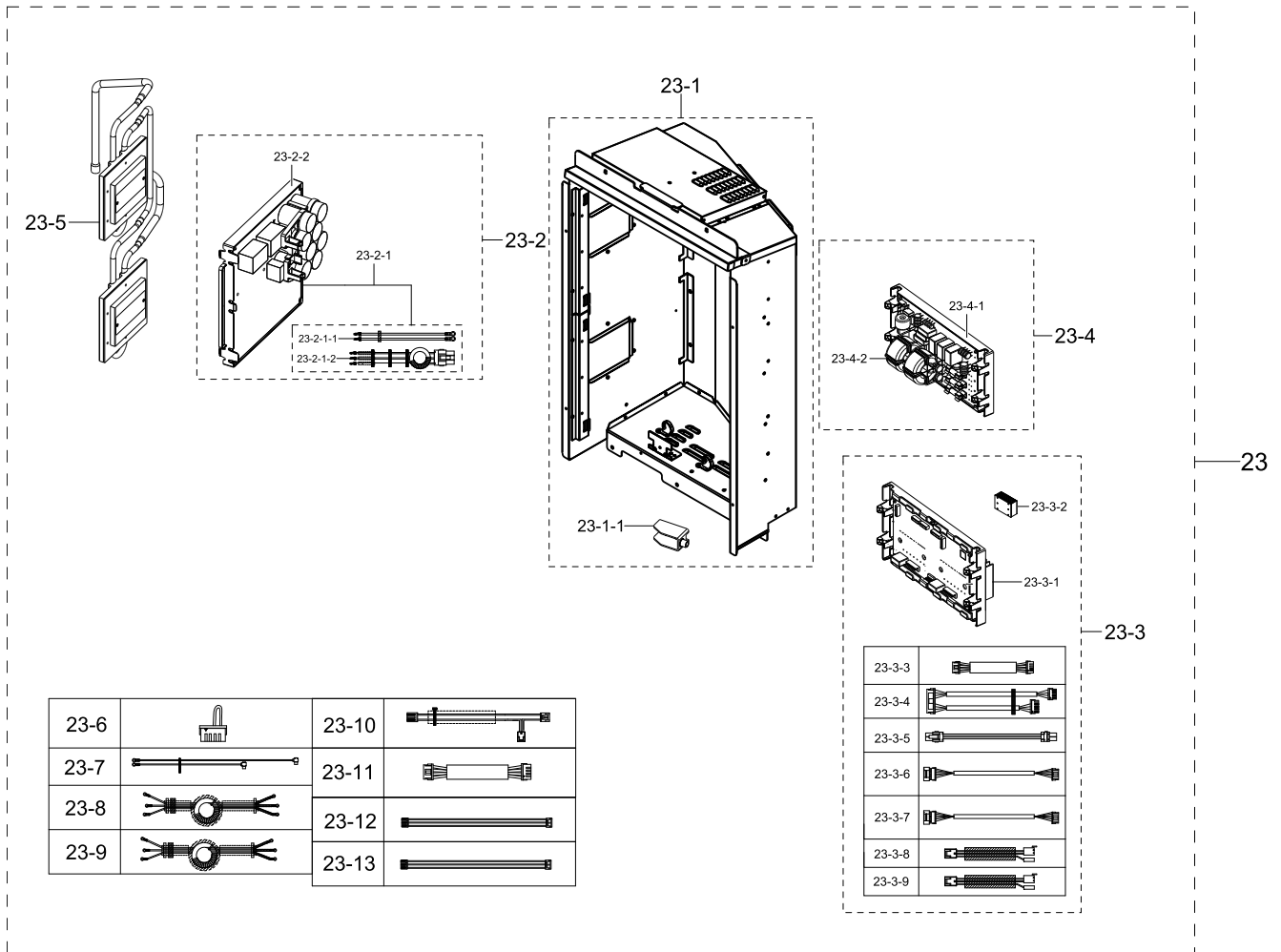
### Parts List

No.	Lvl.	Loc.	Material Code	Description & Specification	SNA	Qty.
23	2	A0700	DB93-13284C	ASSY CONTROL OUT-BOX; INV,14HP,INVERTER S	SNA	1
24	2		DB93-13285C	ASSY CONTROL-FRONT; R410A,INVERTER SCROLL	SNA	1
25	2	A2788	DB90-06765B	ASSY COVER CONTROL-BOX; DVM S	SA	1
25-1	3	RB220	DB90-03829B	ASSY-WINDOW DISPLAY; RD***HHXH2,DVM PLUS	SA	1
26	2		DB90-07288A	ASSY COVER-POWER TERMINAL; DVM PLUS S	SA	1
27	2		DB61-05409A	HOLDER-CONTROL HINGE; DVM PLUS S,ABS,T2.5	SA	1
28	2	A3061	DB95-05010D	ASSY THERMISTOR-TOTAL; 103AT,AC,-,-,-,-,2	SA	1
28-1	3		DB95-04716D	ASSY-THERMISTOR WIRE; 204CTB,AC,-,-,-,-,2	SA	1

No.	Lvl.	Loc.	Material Code	Description & Specification	SNA	Qty.
28-2	3		DB95-04717D	ASSY-THERMISTOR WIRE; 103AT,AC,-,-,-,-,20	SA	1
28-3	3		DB95-04718D	ASSY-THERMISTOR WIRE; 103AT,AC,-,-,-,-,20	SA	1
28-4	3	A2554	DB95-05125A	ASSY THERMISTOR; 103AT,AC,200,10	SA	1
29	2	C0607	DB27-00095A	COIL HARMONIC; 2mH,85.8*32.0,23A,SCREW	SA	2
30	2	S0242	DB81-00635A	SPRING ETC-SENSOR; DVM-SYSTEM,STS304,R2.5	SA	8
31	2	AA565	DB95-00766V	ASSY COMP-HEATER; 1PH 230VAC,62,1300,YDH2	SA	1
32	2	AA565	DB95-00766W	ASSY COMP-HEATER; 1PH 230VAC,62,1300,YDH2	SA	1

# 3. ASSY CONTROL OUT-BOX

## Exploded View



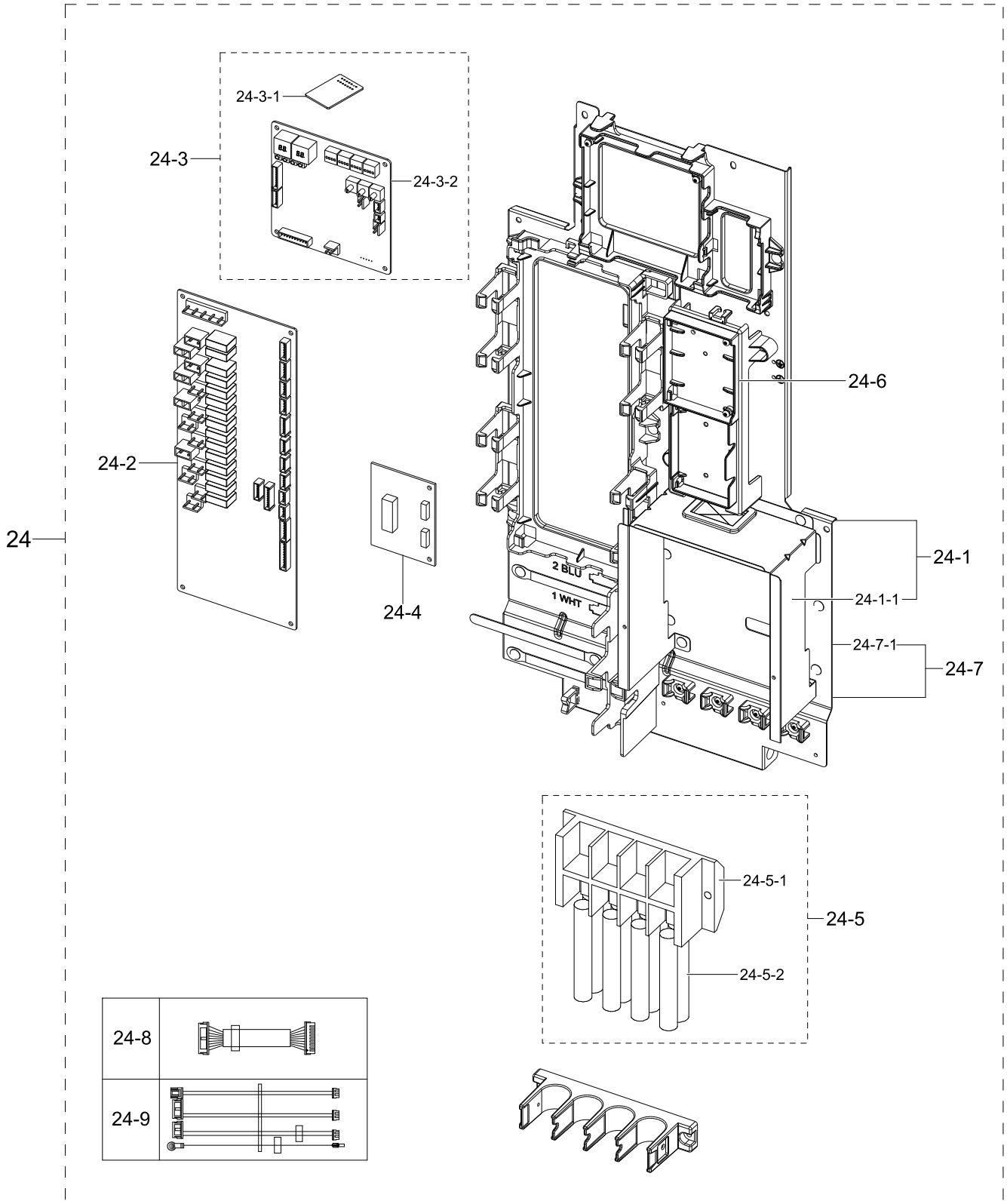
## Parts List

No.	Lvl.	Loc.	Material Code	Description & Specification	SNA	Qty.
23	2	A0700	DB93-13284C	ASSY CONTROL OUT-BOX; INV,14HP,INVERTER S	SNA	1
23-1	3	A3143	DB90-07099A	ASSY PLATE-CONTROL; DVM PLUS S	SA	1
23-1-1	4		DB61-05409A	HOLDER-CONTROL HINGE; DVM PLUS S,ABS,T2.5	SA	1
23-2	3		DB92-03527B	ASSY KIT; OUTDOOR,13K_DVM_12K-DVMINV,DVM	SNA	2
23-2-1	4		DB92-03526B	ASSY PCB INVERTER; INVERTER,13K_DVM_12K-D	SA	2
23-2-1-1	5	A2610	DB93-12380A	ASSY CONNECTOR WIRE-REACTOR; 2,3321,12,WH	SA	2
23-2-1-2	5	A0664	DB93-11492B	ASSY CONNECTOR WIRE-POWER; 3,1015,12,BRN,	SA	2
23-2-2	4		DB61-04920A	CASE-INVERTER PCB; DVM INVERTER,ABS,T2.5,	SA	2
23-3	3		DB92-03341A	ASSY KIT; OUTDOOR,14K_DVM_AM9000H,SUB, 26	SA	1

No.	Lvl.	Loc.	Material Code	Description & Specification	SNA	Qty.
23-3-1	4		DB92-03339A	ASSY PCB INVERTER; INVERTER,14K_DVM_AM900	SNA	1
23-3-2	4	H0034	DB62-11895A	HEAT SINK; AM9000HT,A1,5,102,72,Aluminium	SA	2
23-3-3	4	A2934	DB93-11520C	ASSY CONNECTOR WIRE-COMM; 4,2095,26,RED,S	SA	1
23-3-4	4		DB93-11485A	ASSY CONNECTOR WIRE-BLDC COMM; 8,2095,26,	SA	1
23-3-5	4	A0664	DB93-11491B	ASSY CONNECTOR WIRE-POWER; 2,1015,14,YEL,	SA	1
23-3-6	4	A3118	DB93-11906A	ASSY CONNECTOR WIRE-BLDC HALL; 6,2095,24,	SA	1
23-3-7	4	A3118	DB93-11906B	ASSY CONNECTOR WIRE-BLDC HALL; 6,2095,24,	SA	1
23-3-8	4	A0657	DB93-15168A	ASSY CONNECTOR WIRE-MOTOR; 3,1015,18,RED,	SA	1
23-3-9	4	A0657	DB93-15168B	ASSY CONNECTOR WIRE-MOTOR; 3,1015,18,RED,	SA	1
23-4	3		DB93-12089C	ASSY KIT; SUB,DVM S,EMI '40A,Y	SA	2
23-4-1	4		DB61-04921A	CASE-EMI PCB; DVM INVERTER,ABS,T2.5,BLACK	SA	2
23-4-2	4	A1781	DB93-13529A	ASSY PCB SUB-EMI; SUB,DVM S,230*130,230V(	SA	2
23-5	3		DB96-17068B	ASSY TUBE-MAIN COOLING; AM200FXVGGH1,DVMS	SA	1
23-6	3		DB93-12405A	ASSY CONNECTOR WIRE-INVERTER SHORT; 1,156	SA	1
23-7	3		DB93-13226A	ASSY CONNECTOR WIRE-TOTAL POWER; 2,1015,1	SA	1
23-8	3		DB93-13282A	ASSY CONNECTOR WIRE-INVERTER COMP; 3,3321	SA	1
23-9	3		DB93-13282B	ASSY CONNECTOR WIRE-INVERTER COMP; 3,3321	SA	1
23-10	3		DB93-13412A	ASSY CONNECTOR WIRE-HUB HIGH PRESSURE; 4,	SA	1
23-11	3	A2934	DB93-11520B	ASSY CONNECTOR WIRE-COMM; 4,1007,26,RED,S	SA	1
23-12	3		DB93-11522A	ASSY CONNECTOR WIRE-INV 220; 3,1015,18,BR	SA	1
23-13	3		DB93-11522B	ASSY CONNECTOR WIRE-INV 220; 3,1015,18,BR	SA	1

# 4. ASSY CONTROL-FRONT

## Exploded View



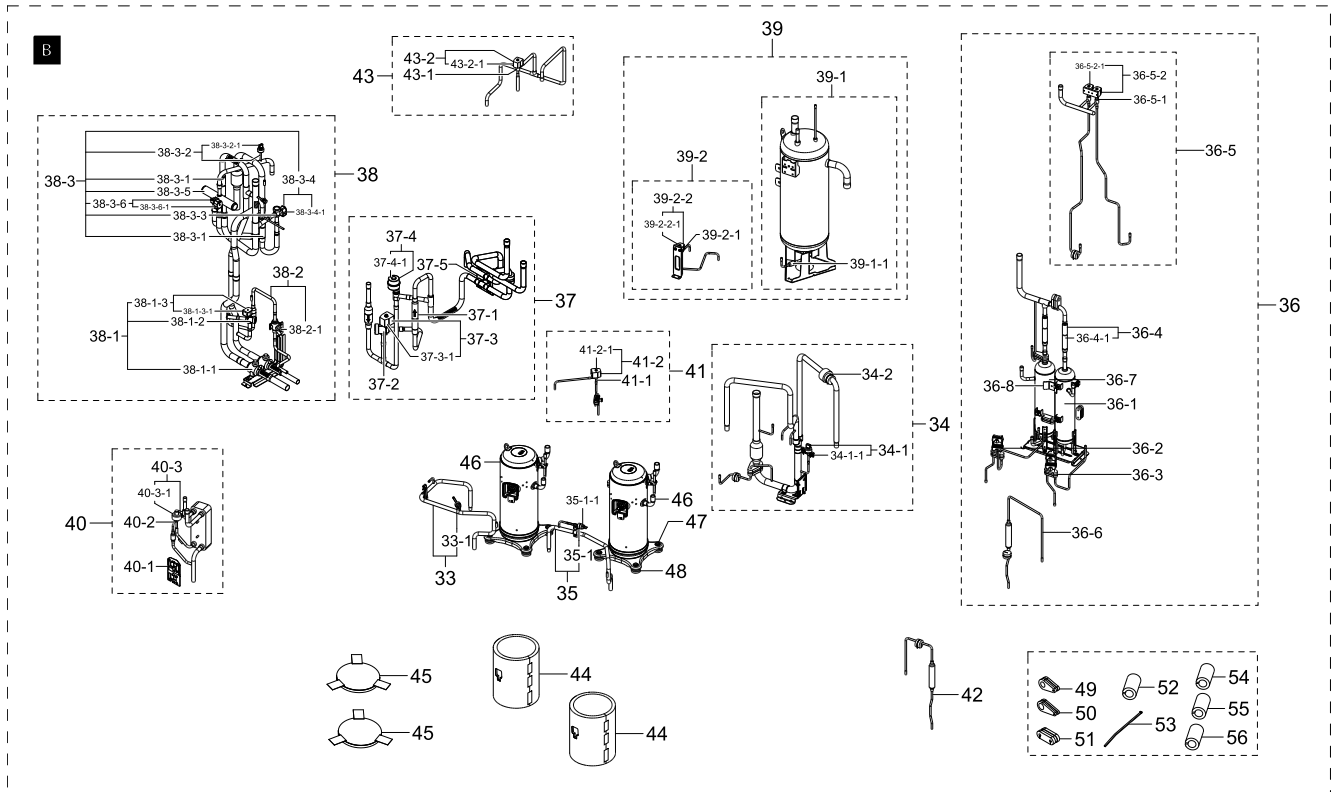


**Parts List**

No.	Lvl.	Loc.	Material Code	Description & Specification	SNA	Qty.
24	2		DB93-13285C	ASSY CONTROL-FRONT; R410A,INVERTER SCROLL	SNA	1
24-1	3		DB90-07287B	ASSY PLATE-CONTROL; AM9000H	SA	1
24-1-1	4		DB64-02896B	CABINET FRONT; AM9000H,GI-SGCC,T0.6	SNA	1
24-2	3	A2748	DB92-03342A	ASSY PCB MAIN; MAIN,DVM S,295*112,Y,220V~	SA	1
24-3	3		DB92-03941A	ASSY KIT; OUTDOOR,SUPER DVM,SUPER DVM MAI	SNA	1
24-3-1	4		DB93-12483A	ASSY PCB SUB-EEPROM; SUB,DVMPLUS4 UP,20*2	SA	1
24-3-2	4	A2748	DB92-03752A	ASSY PCB MAIN; MAIN,SUPER DVM,112*112,N,S	SA	1
24-4	3	A2574	DB93-13404A	ASSY PCB SUB-COMM; SUB,DVM S,80*60,-,-,-,	SA	1
24-5	3		DB95-05012A	ASSY-CONNECTOR WIRE TERMINAL B; DVM PLUS	SA	1
24-5-1	4	T0180	DB65-00232B	TERMINAL BLOCK-3PHASE; DVM PLUS 3,TERMINA	SA	1
24-5-2	4	A0664	DB93-13227A	ASSY CONNECTOR WIRE-POWER; 8,1015,12,BRN,	SA	1
24-6	3		DB61-05404A	CASE-TERMINAL 6P; DVM S,ABS,T2.5,BLACK	SA	1
24-7	3		DB90-07100A	ASSY PLATE-BEAM; AM220HXVHHH1,-	SA	1
24-7-1	4		DB61-05401A	PLATE-CONTROL BOX FRONT; GI-SGCC,T1,DVM P	SA	1
24-8	3		DB93-11521B	ASSY CONNECTOR WIRE-DC SIGNAL; 9,2095,26,	SA	1
24-9	3		DB93-13184A	ASSY CONNECTOR WIRE-OUTDOOR COMM; 7,1569,	SA	1

# 5. ASSY TUBE OUT PARTS

## Exploded View



## Parts List

No.	Lvl.	Loc.	Material Code	Description & Specification	SNA	Qty.
33	2		DB96-17288A	ASSY TUBE DISCHARGE-A 16HP; ADX160VGHHXB1	SA	1
33-1	3		DB95-04864C	ASSY SWITCH PRESSURE; -, -, -, -, -, -, -, -	SC	1
34	2	A0045	DB96-17287B	ASSY TUBE SUCTION; DVM S, FILTERLESS TYPE,	SA	1
34-1	3		DB95-04866F	ASSY-SENSOR LOW PRESSURE COIL; DVM S, ADX2	SA	1
34-1-1	4		DB32-00195A	SENSOR PRESSURE; Refrigerant, 5, 2.0MPa, 200	SA	1
34-2	3		DB67-01268A	WEIGHT RUBBER; DVM PLUS S, NR, BLACK, OD 22.	SA	1
35	2		DB96-17289A	ASSY TUBE DISCHARGE-B 16HP; ADX160VGHHXB1	SA	1
35-1	3		DB95-04864B	ASSY SWITCH PRESSURE; -, -, -, -, -, -, -, -	SC	1
35-1-1	4	RJ101	DB34-00071B	SWITCH PRESSURE; AC 250V/DC 12V, AC 16A/DC	SA	1
36	2		DB96-17321A	ASSY TUBE TANK; ADX160VGHHXB1, DVM INV 2	SA	1
36-1	3		DB96-17640A	ASSY-OIL SEPARATOR D; DVM S	SA	1
36-2	3		DB96-17293A	ASSY TUBE-OIL RETURN A 16HP; ADX160VGHHXB	SA	1

No.	Lvl.	Loc.	Material Code	Description & Specification	SNA	Qty.
36-3	3		DB96-17294A	ASSY TUBE CAPILLARY-OIL SEPARATOR; ADX160	SA	1
36-4	3		DB96-17292A	ASSY TUBE CHECK-OIL SEPARATOR; ADX160VGHH	SA	1
36-4-1	4	V0020	DB62-06188B	VALVE CHECK; .,5/8",1-1	SA	2
36-5	3		DB96-17291A	ASSY TUBE-VAPOR INJECTION 16HP; ADX160VGH	SA	1
36-5-1	4	V0038	DB62-07588A	VALVE SOLENOID; .,5.8,7.94	SA	2
36-5-2	4	A2106	DB95-04555F	ASSY-SOLENOID COIL; DVM+S	SC	1
36-5-2-1	5	V0039	DB62-07589A	VALVE COIL-SOLENOID; AC220-240V,2000,Sol,	SA	2
36-6	3		DB96-17648A	ASSY TUBE-VI 1COMP 20HP; ADX200VGHHA1,DVM	SA	1
36-7	3		DB96-17639A	ASSY-OIL SEPARATOR C; DVM S	SA	1
36-8	3		DB61-05354A	BRACKET-OIL SEPA FIX; ADX200VGHXHB1,SGCC-	SA	1
37	2		DB96-17948A	ASSY TUBE-EXPANSION VV HR 16HP; DVM S HR,	SNA	1
37-1	3	V0020	DB62-06190B	VALVE CHECK; .,1/2",1-1	SA	1
37-2	3	V0038	DB62-09632A	VALVE SOLENOID; .,11,12.7	SA	1
37-3	3	A2106	DB95-05076C	ASSY-SOLENOID COIL; DVM S HR	SA	1
37-3-1	4	V0039	DB62-07589B	VALVE COIL-SOLENOID; AC220-240V,1500,Sol,	SA	1
37-4	3	A0498	DB96-14558E	ASSY-VALVE EXPANSION; HP,R410A,DVM PLUS S	SA	1
37-4-1	4		DB62-09643A	VALVE GEAR EXPAN; 8.0,2500,2000	SA	1
37-5	3		DB90-07310A	ASSY BRACKET-EXPANSION FRONT; ADX200VGHHA	SA	1
38	2		DB96-17962A	ASSY TUBE-4WAY GAS BALL VV HR 16HP; DVM S	SA	1
38-1	3		DB96-17952A	ASSY TUBE-GAS BALL VV HR 16HP; DVM S HR	SA	1
38-1-1	4	A2865	DB62-07613A	VALVE SERVICE-BALL; -,BRASS,-,-,-,-,-,-,-	SA	2
38-1-2	4	V0038	DB62-09633A	VALVE SOLENOID; .,-,13	SA	1
38-1-3	4	A2106	DB95-05076E	ASSY-SOLENOID COIL; DVM S HR	SA	1
38-1-3-1	5	V0039	DB62-07589B	VALVE COIL-SOLENOID; AC220-240V,1500,Sol,	SA	1
38-2	3		DB96-17954A	ASSY TUBE-LQD BALL EEV HR 16HP; DVM S HR	SA	1
38-2-1	4	A2865	DB62-07618A	VALVE SERVICE-BALL; BRASS,PIPE,R410A,12.8	SA	1
38-3	3		DB96-17964A	ASSY TUBE-4WAY MAIN COOLING HR 16HP; DVM	SA	1
38-3-1	4	V0020	DB62-06187B	VALVE CHECK; .,1-1,19.05	SA	2
38-3-2	4	A3145	DB95-01549T	ASSY-SENSOR HIGH PRESSURE COIL; DVM+S	SA	1
38-3-2-1	5	S0030	DB32-00194A	SENSOR PRESSURE; Refrigerant,5,5.0MPa,200	SA	1
38-3-3	4	V0038	DB62-09633A	VALVE SOLENOID; .,-,13	SA	1
38-3-4	4	A2106	DB95-05076A	ASSY-SOLENOID COIL; DVM S HR	SA	1
38-3-4-1	5	V0039	DB62-07589B	VALVE COIL-SOLENOID; AC220-240V,1500,Sol,	SA	1
38-3-5	4	V0010	DB62-03348A	VALVE 4WAY; .,-,Common,10	SA	1
38-3-6	4	A2855	DB96-13291B	ASSY-4WAY VALVE COIL; DVM PLUS4,ASSY	SA	1

Exploded Views and Parts List

No.	Lvl.	Loc.	Material Code	Description & Specification	SNA	Qty.
38-3-6-1	5	S0100	DB33-00047B	VALVE COIL SOLENOID; AC220-240V,2000,4way	SA	1
39	2		DB96-21251A	ASSY TUBE-ACCUMULATOR; DVM S	SNA	1
39-1	3	A0316	DB96-16928A	ASSY-ACCUMULATOR 20HP; DVM S,20HP	SA	1
39-1-1	4	T0128	DB62-11876A	TUBE-FILTER; DVM S,C1220T-H,T1.4,OD38.1,N	SA	1
39-2	3		DB96-16918A	ASSY TUBE-ACCUM OIL VALVE 20HP; DVM INVER	SA	1
39-2-1	4	V0038	DB62-04149A	VALVE SOLENOID; A/C,BRASS,blue,1.9	SC	1
39-2-2	4		DB95-04865H	ASSY-OIL RETURN TUBE COIL; DVM S	SA	1
39-2-2-1	5	V0039	DB62-04150A	VALVE COIL SOLENOID; AC220-240V,2400,Sol,	SA	1
40	2		DB96-18614A	ASSY TUBE SUBCOOLER; DVM S	SA	1
40-1	3		DB62-11717A	SEAL COVER; PE FOAM,GRAY,T10,W150	SA	1
40-2	3	V0001	DB62-04065A	VALVE EXPAN; STS304,1.65mm,500	SC	1
40-3	3	A0016	DB96-13204K	ASSY-VALVE EXPAN COIL; DVM+S	SC	1
40-3-1	4		DB62-11205B	VALVE COIL EXPAN; DC12V,COIL,2000,15.45,M	SA	1
41	2		DB96-17081A	ASSY TUBE-HOT GAS; DVM INVERTER 2,12HP	SA	1
41-1	3	V0038	DB62-04149A	VALVE SOLENOID; A/C,BRASS,blue,1.9	SC	1
41-2	3		DB95-04865G	ASSY-OIL RETURN TUBE COIL; DVM INVERTER	SA	1
41-2-1	4	V0039	DB62-04150A	VALVE COIL SOLENOID; AC220-240V,2400,Sol,	SA	1
42	2		DB96-17649A	ASSY TUBE-VI 2COMP 20HP; ADX200VGHHA1,DVM	SA	1
43	2	A3131	DB96-16908A	ASSY TUBE-EVI BYPASS 20HP; DVM INVERTER 2	SA	1
43-1	3	V0038	DB62-07588A	VALVE SOLENOID; .,5.8,7.94	SA	1
43-2	3	A2106	DB95-02052Z	ASSY-SOLENOID COIL; DVM+S	SA	1
43-2-1	4	V0039	DB62-07589B	VALVE COIL-SOLENOID; AC220-240V,1500,Sol,	SA	1
44	2		DB63-03737A	CLOTH COMP-SIDE; EVAR/FELT,T1.5+T15	SA	2
45	2		DB63-03738A	CLOTH COMP-TOP OUT; EVAR/FELT,T1.5+T15	SA	2
46	2		DS-GB052FAVBSG	SCP,COMP,SCP,,R410A; SCP,COMP,SCP,,R410A		2
47	2	S0018	DB60-30028A	NUT-FLANGE; HWH,M8,ZPC(WHT),SWRCH18A,P1.2	SA	10
48	2		DB63-03269A	GROMMET-COMP INVERTER; NR	SA	8
49	2		DB61-05571A	SUPPORT-RUBBER; AM200MXVAFCA,CHLOROPRENE	SNA	1
50	2		DB61-05574A	SUPPORT-RUBBER; ADX200VGHHA1,CHLOROPRENE	SNA	1
51	2		DB73-00533A	RUBBER-SUPPORT 7 7 42; DVM PLUS4,CHLOROPR	SNA	1
52	2		DB62-04154C	INSULATION-HOLDER WIRE; PE FOAM,8,ID 20,5	SNA	2
53	2		6501-001107	CABLE TIE; T1.5,W4.8,L368,BLK,NYLON66	SNA	4
54	2		DB62-03808A	INSULATION-HOLDER SENSOR; PP FOAM+PE FOAM	SNA	2

No.	Lvl.	Loc.	Material Code	Description & Specification	SNA	Qty.
55	2		DB62-03808C	INSULATION-HOLDER SENSOR; PP FOAM+PE FOAM	SNA	4
56	2		DB62-03808E	INSULATION-HOLDER SENSOR; PP FOAM+PE FOAM	SNA	1