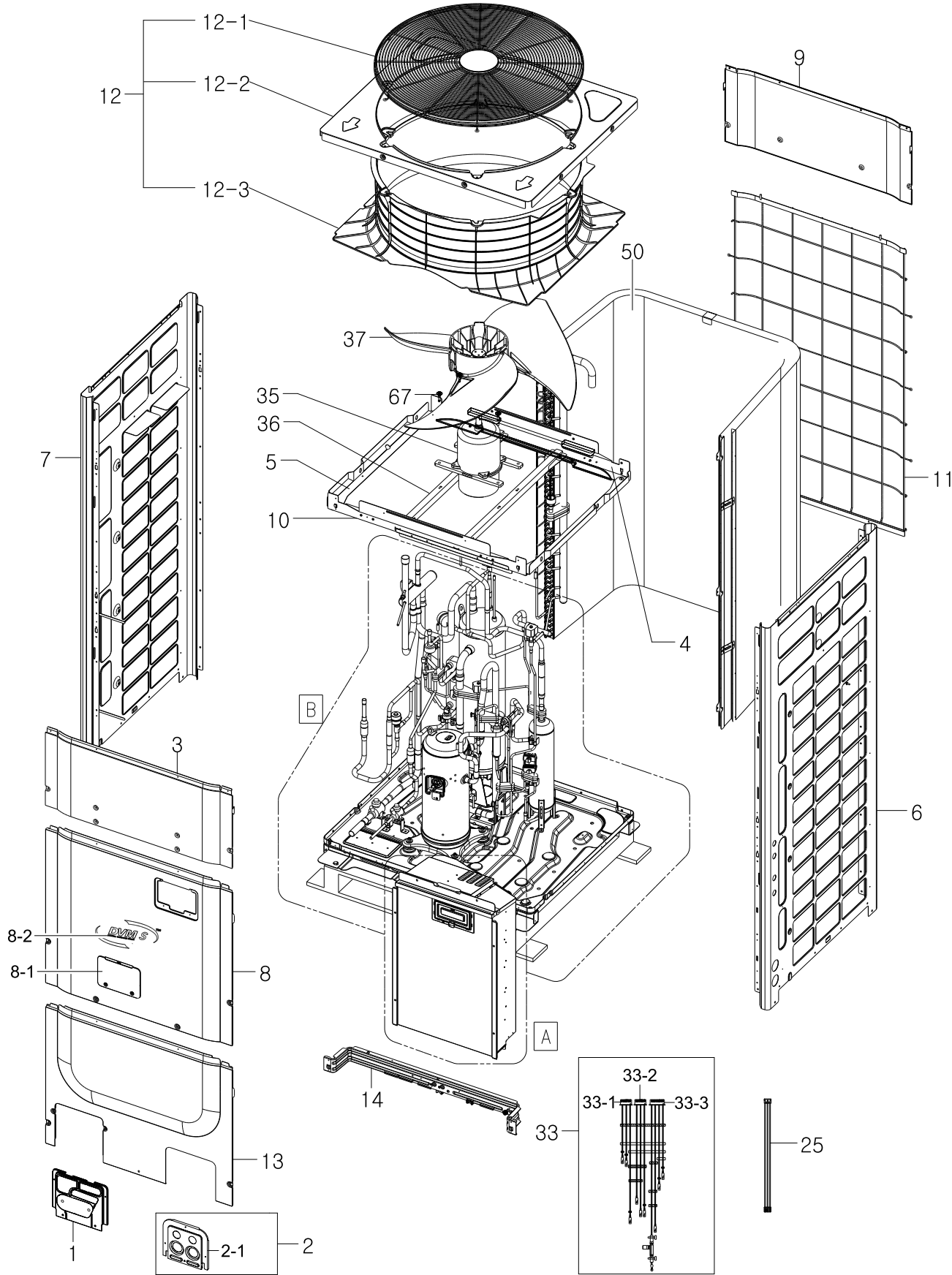


1. AM080FXVAGH/EU

Exploded View



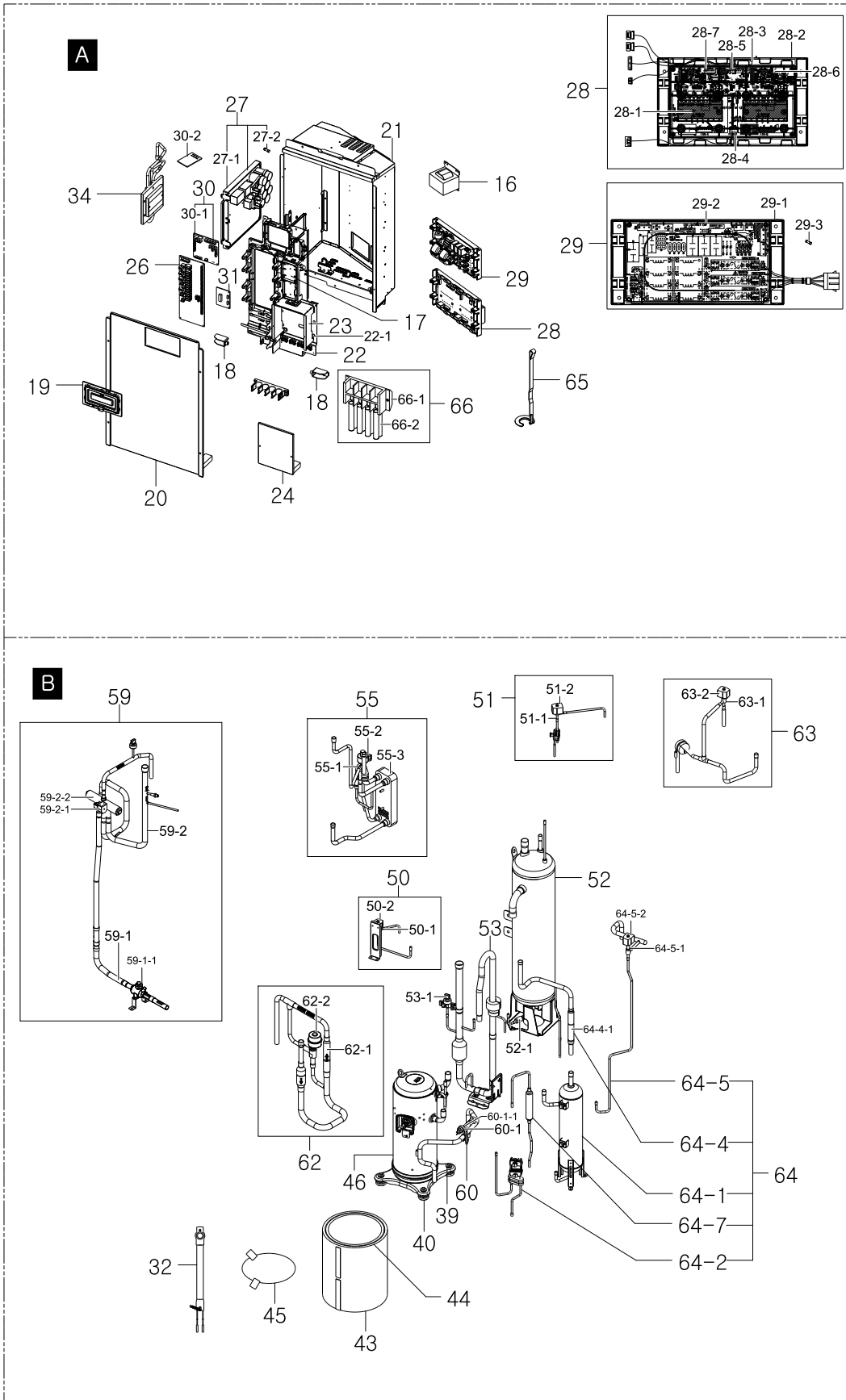
Parts List

No.	Lvl.	Loc.	Material Code	Description & Specification	SNA	Qty.
1	3		DB61-04537B	PLATE-COVER INSTALLATION; DVM PLUS4 UP,SE	SA	1
2	2		DB63-01441B	COVER-PLATE; RVXVHT100H1,EGI-SECC-P,T0.8,	SA	1
2-1	3		DB63-01425A	COVER-PLATE; DVM PLUS 2,SECC-P,0.81,187,2	SA	1
3	2	A0175	DB90-02121G	ASSY CABI FRONT-UP 10HP; RVXVHT100H4,DVM	SA	1
4	2	A3102	DB90-02145C	ASSY-BACK BEAM UP 10; DVMPLUS2,10HP	SA	1
5	2	A3103	DB90-02638B	ASSY-PLATE BEAM SIDE LF; DVMPLUS3	SA	2
6	2	A0206	DB90-05200C	ASSY CABINET-SIDE RH 20HP; RD200HHXH2,DVM	SA	1
7	2	A0204	DB90-05201C	ASSY CABINET-SIDE LF 20HP; RD200HHXH2,DVM	SA	1
8	2	A0105	DB90-05206E	ASSY CABI FRONT-MID 12HP; ADX120VGHHB1,DV	SA	1
8-1	3		DB63-02406B	COVER-WINDOW DISPLAY; DVM PLUS 4,SECC-P,0	SA	1
8-2	3		DB98-34406B	ASSY-LABEL LOGO DVM S; DVM S	SA	1
9	2	A2840	DB90-05207C	ASSY CABI BACK-UP 10HP; RVXVHT100H4,DVM P	SA	1
10	2		DB90-05227C	ASSY-FRONT BEAM UP 12HP; DVM INVERTER,12H	SNA	1
11	2		DB90-05410C	ASSY-GUARD COND BACK 12HP; ADX080VGHHA1,D	SA	1
12	2		DB90-05485D	ASSY COVER TOP-12HP; RVXVHT100H3,COLOR: D	SA	1
12-1	3	G0372	DB63-02614B	GUARD FAN-LARGE PD; RD200HHXH1,MSWR-SWRM,	SA	1
12-2	3		DB63-02618C	COVER TOP-PD SMALL; RD200HHXH1,SECC-P,T1.	SA	1
12-3	3	B0115	DB62-03304B	BELLOW-MOUTH; RD120HHXH1,PP,TOUCH GRAY(SC	SA	1
13	2		DB90-05599G	ASSY CABI FRONT-LOW; DVM S HR	SA	1
14	2		DB90-06769B	ASSY-FRONT BEAM CONTROL BOX SMALL; DVM PL	SNA	1
25	3		DB93-11522A	ASSY CONNECTOR WIRE-INV 220; DVM INV,INV	SA	1
33	2	A3061	DB95-05010B	ASSY THERMISTOR-TOTAL; DVM PLUS S,10HP	SA	1
33-1	3		DB95-04716E	ASSY-THERMISTOR WIRE; DVM PLUS S,10HP	SA	1
33-2	3		DB95-04717E	ASSY-THERMISTOR WIRE; DVM PLUS S,10HP	SA	1
33-3	3		DB95-04718E	ASSY-THERMISTOR WIRE; DVM PLUS S,10HP	SA	1

No.	Lvl.	Loc.	Material Code	Description & Specification	SNA	Qty.
35	2	M0039	DB31-00330J	MOTOR FAN; DL-13890SSOF,630W,DC310V,CLASS	SA	1
36	2	B0516	DB61-02255A	BRACKET MOTOR; DVM PLUS 2,SGHC_HGI,2.3,10	SA	2
37	2		DB94-03537B	ASSY FAN-PROPELLER; DVM,700PI, BLACK	SA	1
50	2		DB96-17077A	ASSY TUBE-ACCUM OIL VALVE 12HP; DVM INVER	SA	1
67	2	C0212	6011-001183	BOLT-FLANGE; M6,L30,ZPC(WHITE),SWRCH18A	SA	4

2. ASSY CONTROL&TUBE PART

Exploded View



Parts List

No.	Lvl.	Loc.	Material Code	Description & Specification	SNA	Qty.
16	2	C0607	DB27-00094A	COIL-REACTOR; 2mH,5% at 35A/50Hz,EI85.5*4	SNA	1
17	3		DB61-05404A	CASE-TERMINAL 6P; DVM PLUS S,ABS,T2.5,BLA	SNA	1
18	2		DB61-05409A	HOLDER-CONTROL HINGE; DVM PLUS S,ABS,T2.5	SNA	1
19	3	RB220	DB90-03829B	ASSY-WINDOW DISPLAY; RD***HHXH2,DVM PLUS	SA	1
20	2	A2788	DB90-06765B	ASSY COVER CONTROL-BOX; DVM S	SNA	1
21	3	A3143	DB90-07099C	ASSY CABINET-CONTROL BOX; DVM PLUS S,10HP	SA	1
22	3		DB90-07100A	ASSY-PLATE CONTROL FRONT; DVM PLUS S	SNA	1
22-1	4		DB61-05401A	PLATE-CONTROL BOX FRONT; SGCC-M,1.0,DVM P	SA	1
23	3		DB90-07287A	ASSY CABINET-POWER TERMINAL; DVM PLUS S	SNA	1
24	2		DB90-07288A	ASSY COVER-POWER TERMINAL; DVM PLUS S	SA	1
26	3		DB93-11696B	ASSY PCB MAIN-HUB; DVM INV,380V,60HZ,Y,SM	SA	1
27	3		DB93-11807C	ASSY CONTROL-INVERTER; HP,INV,8HP,DVM INV	SNA	1
27-1	4	A2573	DB93-13461A	ASSY PCB MAIN-INVERTER; DVM INV 2,380V,60	SA	1
27-2	5	F0178	3601-000248	FUSE-CARTRIDGE; 250V,2A, TIME-LAG, GLASS,5x	SNA	1
28	3		DB93-11808D	ASSY CONTROL-FAN; HP,INV,1 FAN,DVM NEO2,A	SNA	1
28-1	4		0205-000178	GREASE-SILICON; YG1111,BAIER(NTR)	SA	1
28-2	4		DB61-04919B	CASE-BLDC FAN PCB; DVM INVERTER,ABS,T2.5,	SA	1
28-3	4		DB93-11485A	ASSY CONNECTOR WIRE-BLDC COMM; DVM INV,BL	SA	1
28-4	4		DB93-11491A	ASSY CONNECTOR WIRE-BLDC POWER; DVM INV,B	SA	1
28-5	4		DB93-11520C	ASSY CONNECTOR WIRE-HUB INVERTER COMM; DV	SA	1
28-6	4		DB93-11695D	ASSY PCB SUB-DRIVER; DVM INV,380V,60HZ,N	SA	1
28-7	4	A3118	DB93-11906A	ASSY CONNECTOR WIRE-BLDC HALL; DVM INV,BL	SA	1
29	3		DB93-12089C	ASSY CONTROL-EMI; HP,INV,40A,DVM PLUS S,A	SNA	1

Exploded Views and Parts List

No.	Lvl.	Loc.	Material Code	Description & Specification	SNA	Qty.
29-1	4		DB61-04921A	CASE-EMI PCB; DVM INVERTER,ABS,T2.5,BLACK	SA	1
29-2	4	A1781	DB93-13529A	ASSY PCB SUB-EMI; DVM S,ASSY PBA SUB,N	SA	1
29-3	5	F0178	3601-001659	FUSE-CARTRIDGE; 690V,40A,TIME-LAG,77x17.1	SA	3
30	3		DB93-12580D	ASSY PBA-MAIN; DVM S TRANE,NASA,S3FM02G	SA	1
30-1	4	A2748	DB93-11697D	ASSY PCB MAIN; DVM S TRANE,MAIN PCB ASSY,	SA	1
30-2	4		DB93-12483A	ASSY PCB SUB-EEPROM; DVM PLUS4UP,DVM WATE	SA	1
31	3		DB93-13404A	ASSY PCB SUB-SUB; DVM PLUS S,ASSY PBA SUB	SA	1
32	2	AA565	DB95-00766V	ASSY COMP-HEATER; DVM PLUS S,230VAC, 62W,	SA	1
34	3		DB96-17125A	ASSY TUBE-COOLING 10HP; DVM NEO2,10HP	SNA	1
39	2	S0018	DB60-30028A	NUT-FLANGE; HWH,M8,ZPC(WHT),SWRCH18A,P1.2	SA	2
40	2		DB63-03269A	GROMMET-COMP INVERTER; NR	SNA	4
43	2		DB97-21132A	ASSY-CLOTH COMP SOUND 52 INNER; DVM+S	SNA	1
44	2		DB97-21131A	ASSY-CLOTH COMP SOUND 52 OUTER; DVM+S	SNA	1
45	2		DB97-21133A	ASSY-CLOTH COMP SOUND TOP; DVM+S	SNA	1
46	2		DS-GB052FAVASG	SCP,63F(SCROLL),F,R410A; SCP,63F(SCROLL),F,R410A		1
50	2		DB96-17077A	ASSY TUBE-ACCUM OIL VALVE 12HP; DVM INVER	SA	1
50-1	3	V0038	DB62-04149A	VALVE SOLENOID; ,.1.9	SA	1
50-2	4	V0039	DB62-04150A	VALVE COIL-SOLENOID; L2400, AC220~240V	SA	1
51	2		DB96-17081A	ASSY TUBE-HOT GAS VALVE 12HP; DVM INVERTE	SA	1
51-1	3	V0038	DB62-04149A	VALVE SOLENOID; ,.1.9	SA	1
51-2	4	V0039	DB62-04150A	VALVE COIL-SOLENOID; L2400, AC220~240V	SA	1
52	2		DB96-17091A	ASSY-ACCUMULATOR 10HP; DVM S,10HP	SA	1
52-1	3	T0128	DB62-00541E	TUBE-FILTER; MXD-18K214A,C1220T-0,1,TUBE	SA	1
53	2		DB96-17313A	ASSY TUBE SUCTION-8HP; RD080CHXH2,DVM INV	SA	1
53-1	3	A3105	DB95-01469U	ASSY SENSOR-LOW PRESSURE COIL; DVM+S	SA	1
55	2	A3149	DB96-17132A	ASSY TUBE-SUBCOOLER 10HP; DVM NEO2,10HP	SA	1
55-1	3	V0001	DB62-04065A	VALVE EXPAN; SUS,500,1.6	SC	1
55-2	4	V0001	DB62-04067C	VALVE COIL-EXPAN; L2000	SA	1

No.	Lvl.	Loc.	Material Code	Description & Specification	SNA	Qty.
55-3	3		DB96-16377E	ASSY-SUBCOOLER PHE; DVM NEO2,ALFALAVAL,AC	SA	1
59	2	A3151	DB96-17322A	ASSY TUBE-4WAY GAS BALL VALVE 8HP; RD080C	SA	1
59-1	3	A3152	DB96-17323A	ASSY TUBE-GAS BALL VALVE 8HP; RD080CHXH2,	SA	1
59-1-1	4		DB62-10812A	VALVE SERVICE-BALL; .,3/4",R410A, PIPE	SA	1
59-2	3		DB96-17142A	ASSY-4WAY VALVE 10HP; HP,10,R410A,DVM NEO	SA	1
59-2-1	4	A2855	DB95-01711K	ASSY-4WAY VALVE COIL; DVM S	SA	1
59-2-2	4	S0270	DB33-00071A	VALVE 4WAY; 5hp, COMMON	SA	1
60	2		DB96-17314A	ASSY TUBE DISCHARGE-A 8HP; RD080CHXH2,DVM	SA	1
60-1	3	A2226	DB95-04864A	ASSY-SWITCH PRESSURE; DVM INVERTER,ASSY	SA	1
60-1-1	4	RJ101	DB34-00071B	SWITCH PRESSURE; 4.24,1200	SA	1
62	2		DB96-17450A	ASSY-TUBE EXPANSION VALVE 10HP; HP,10,R41	SA	1
62-1	3	V0020	DB62-06190B	VALVE CHECK; .,1/2", 1-1 PASS	SA	1
62-2	3	A0498	DB95-01561C	ASSY-VALVE EXPANSION; RVXVRT100H3,ASSY	SC	1
63	2		DB96-17694A	ASSY TUBE-EVI BYPASS 10HP; DVM S,ADX200VG	SA	1
63-1	3	V0038	DB62-07588A	VALVE SOLENOID; .,5.8	SA	1
63-2	3	A2106	DB95-02052Z	ASSY-SOLENOID COIL; DVM+S	SA	1
64	2		DB96-17324A	ASSY TUBE-OIL SEPARATOR 8HP; RD080CHXH2,D	SA	1
64-1	3		DB96-16927A	ASSY-OIL SEPARATOR A; DVM INVERTER 2,20HP	SNA	1
64-2	3		DB96-17325A	ASSY TUBE-OIL RETURN A 8HP; RD080CHXH2,DV	SNA	1
64-4	3		DB96-17134A	ASSY TUBE-OIL SEPA OUT 10HP; DVM NEO2,10H	SNA	1
64-4-1	4	V0020	DB62-06188B	VALVE CHECK; .,5/8", 1-1 PASS	SA	1
64-5	3		DB96-17147A	ASSY TUBE-VAPOR INJECTION 10HP; ADX100VGH	SNA	1
64-5-1	4	V0038	DB62-07588A	VALVE SOLENOID; .,5.8	SA	1
64-5-2	4	A2106	DB95-04555E	ASSY-SOLENOID COIL; DVM PLUS S	SA	1
64-7	3		DB96-17662A	ASSY TUBE-VI 1COMP 8HP; ADX080VGHHA1,DVM	SNA	1
65	2	S0242	DB81-00635A	SPRING ETC-SENSOR; DVM-SYSTEM,STS304,R2.5	SA	6
66	3		DB95-05012B	ASSY-CONNECTOR WIRE TERMINAL B; DVM PLUS	SA	1

Exploded Views and Parts List

No.	Lvl.	Loc.	Material Code	Description & Specification	SNA	Qty.
66-1	4	T0180	DB65-00232B	TERMINAL BLOCK-3PHASE; DVM PLUS 3,-,-,-,-	SA	1
66-2	4		DB93-13227B	ASSY CONNECTOR WIRE-MAIN POWER; DVM PLUS	SA	1