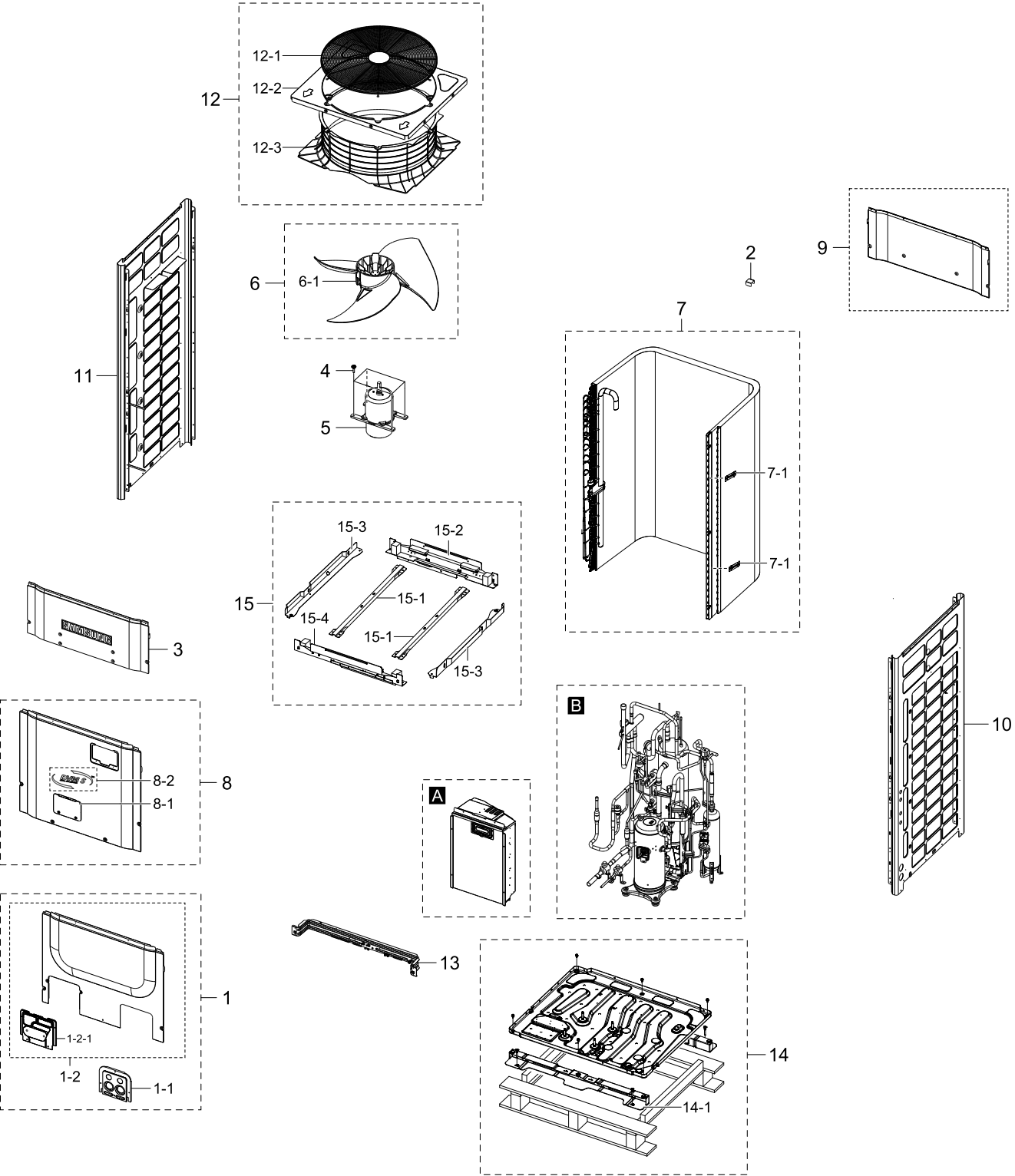


1. AM080FXVAGH/EU

Exploded View

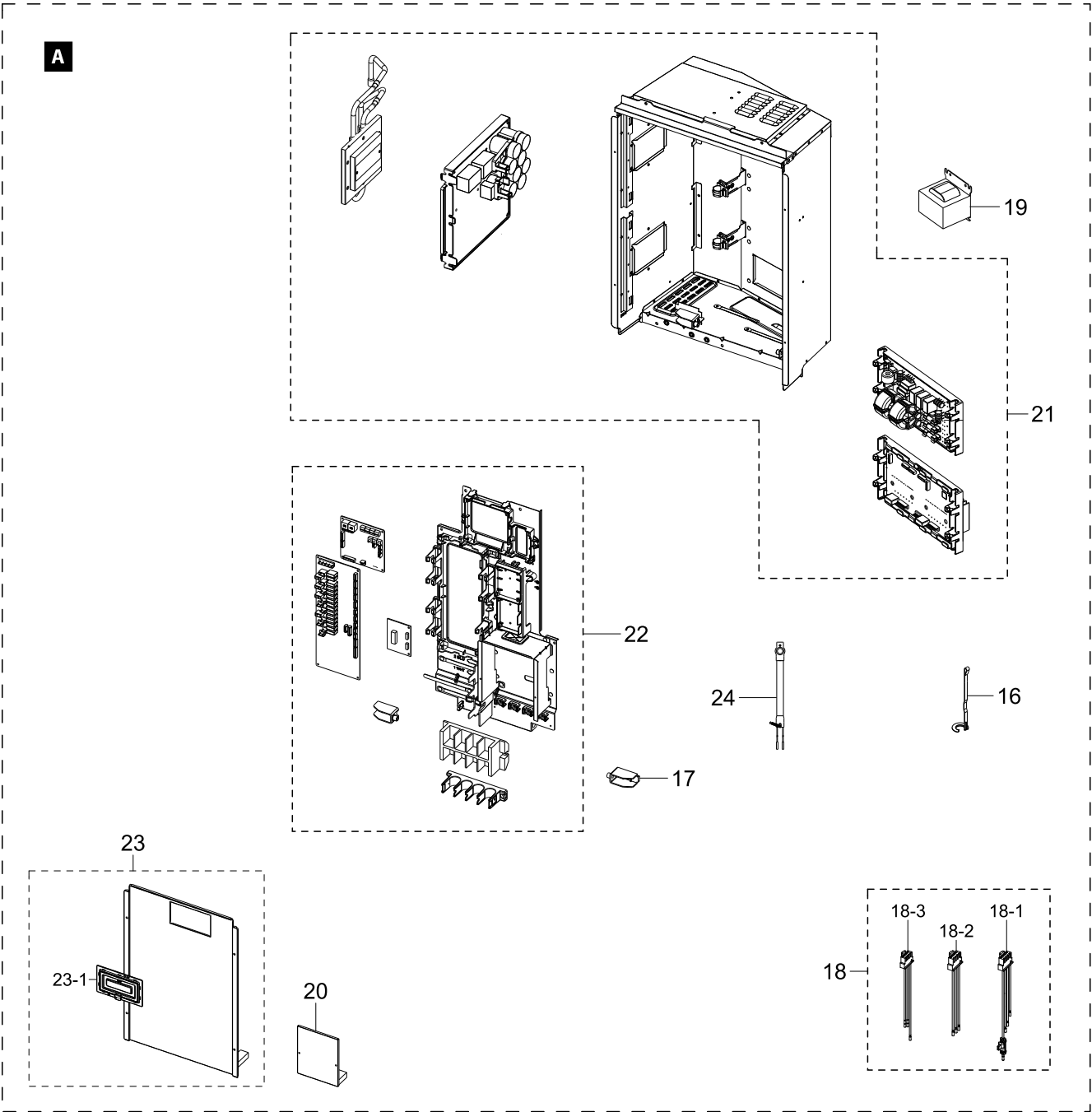


Parts List

No.	Lvl.	Loc.	Material Code	Description & Specification	SNA	Qty.
1	2	A0145	DB90-08802A	ASSY CABI FRONT; DVM S,ASSY,1	SA	1
1-1	3		DB63-01441B	COVER-PLATE; RVXVHT100H1,EGI-SECC,T0.8,-,	SA	1
1-2	3		DB90-05599F	ASSY CABI FRONT-LOW 12HP; RD120HHXH1,COLO	SA	1
1-2-1	4		DB61-04537B	PLATE-COVER INSTALLATION; EGI-SECC,T1,EAR	SA	1
2	2		DB61-00533A	HOLDER-CLAMP COND; RVXMHF050GA,GI-SGCC,T0	SNA	1
3	2	A0175	DB90-02121G	ASSY CABI FRONT-UP 10HP; RVXVHT100H4,DVM	SA	1
4	2	C0212	6011-001183	BOLT-FLANGE; M6,L30,ZPC(WHITE),SWRCH18A	SA	4
5	2	M0039	DB31-00330J	MOTOR FAN; DL-13890SSOF,DC310V,630W	SA	1
6	2		DB94-03537A	ASSY FAN-PROPELLER; DVM,700PI, BLACK	SA	1
6-1	3	F0010	DB31-00298A	FAN PROPELLER; SAN+GF20%	SA	1
7	2	A0590	DB96-14514A	ASSY COND OUT-12HP; DVM PLUS 4 UP	SA	1
7-1	3		DB61-04553A	BRACKET-COND 7PI; RD200HRXH1,GI-SGCC,T1	SA	2
8	2	A0105	DB90-05206E	ASSY CABI FRONT-MID 12HP; ADX120VGHXB1,DV	SA	1
8-1	3		DB63-02406B	COVER-WINDOW DISPLAY; DVM PLUS 4,EGI-SECC	SA	1
8-2	3		DB98-34406B	ASSY-LABEL LOGO DVM S; DVM S	SA	1
9	2	A2840	DB90-05207C	ASSY CABI BACK-UP 10HP; RVXVHT100H4,DVM P	SA	1
10	2	A0206	DB90-05200C	ASSY CABI SIDE-RH; RD200HHXH2,DVM PLUS 4	SA	1
11	2	A0204	DB90-05201C	ASSY CABI SIDE-LF; RD200HHXH2,DVM PLUS 4	SA	1
12	2		DB90-05485D	ASSY COVER TOP-12HP; RVXVHT100H3,COLOR: D	SA	1
12-1	3	G0372	DB63-02614B	GUARD FAN-LARGE PD; RD200HHXH1,MSWR,T1,EA	SA	1
12-2	3		DB63-02618C	COVER TOP-PD SMALL; RD200HHXH1,EGI-SECC,T	SA	1
12-3	3	B0115	DB62-03304B	BELLOW-MOUTH; RD120HHXH1,PP,BJ750,TOUCH G	SA	1
13	2		DB90-06769B	ASSY-FRONT BEAM CONTROL BOX SMALL; DVM PL	SNA	1
14	2	A0092	DB90-07052B	ASSY BASE OUT; DVM S EU,12HP	SA	1
14-1	3		DB61-04080B	LEG-BASE 12HP; DVM PLUS 4,EGI-SECC	SA	2
15	2	A2803	DB90-08892A	ASSY BRACKET MOTOR; DVM S,10HP	SNA	1
15-1	3	B0516	DB61-02255A	BRACKET MOTOR; DVM PLUS 2,SGHC_HGI,2.3,10	SA	2
15-2	3	A0140	DB90-02145C	ASSY CABI BACK; DVM S,SMALL	SA	1
15-3	3	A3103	DB90-02638B	ASSY PLATE-BEAM; -,DVMPLUS3	SA	2
15-4	3		DB90-05227C	ASSY FRAME-FRONT; DVM INVERTER,12HP	SA	1

2. ASSY CONTROL OUT PARTS

Exploded View



Parts List

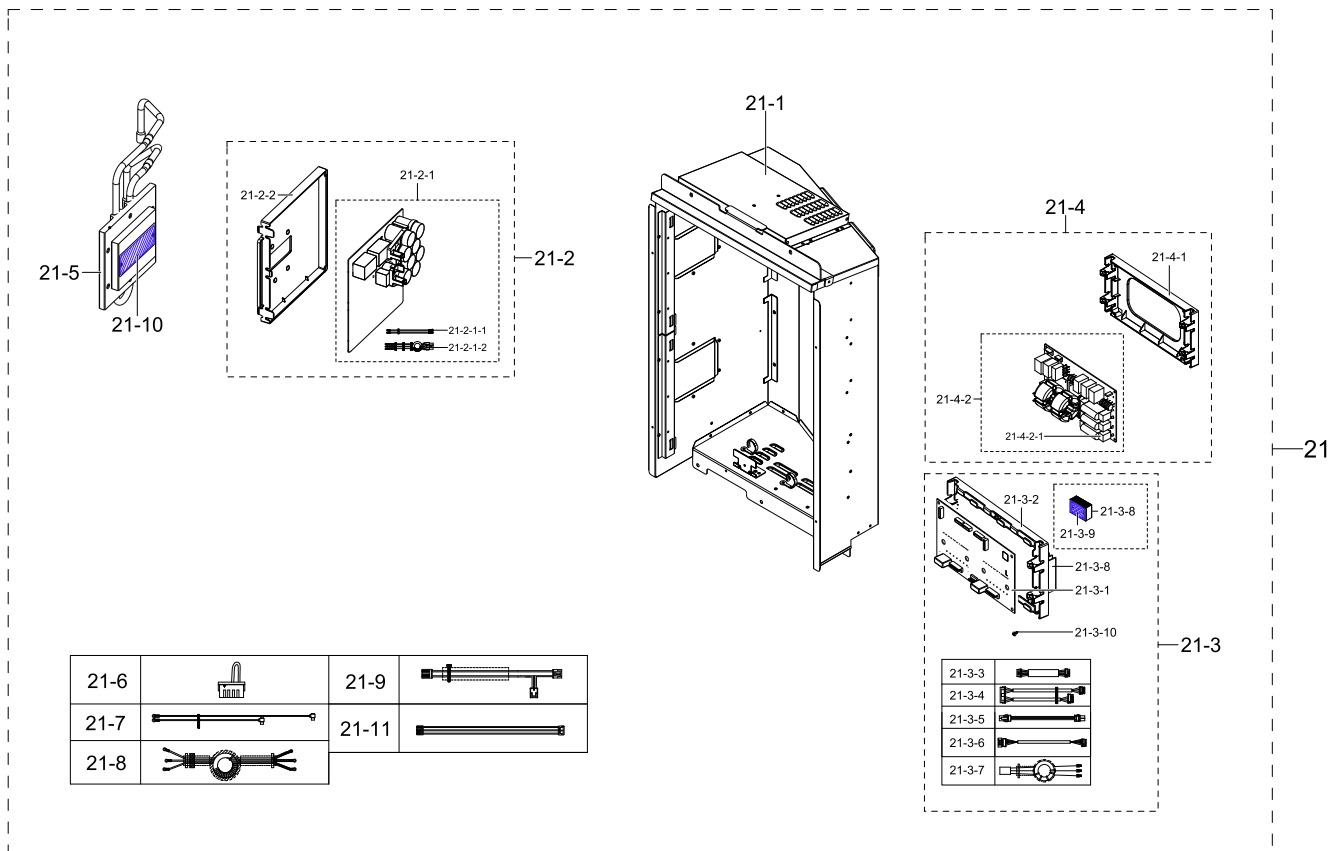
No.	Lvl.	Loc.	Material Code	Description & Specification	SNA	Qty.
16	2	S0242	DB81-00635A	SPRING ETC-SENSOR; DVM-SYSTEM,STS304,R2.5	SA	6
17	2		DB61-05409A	HOLDER-CONTROL HINGE; DVM PLUS S,ABS,T2.5	SA	1
18	2	A3061	DB95-05010B	ASSY THERMISTOR-TOTAL; 103AT,AC,-,-,-,2	SA	1
18-1	3		DB95-04716E	ASSY-THERMISTOR WIRE; 204CTB,AC,-,-,-,2	SA	1
18-2	3		DB95-04717E	ASSY-THERMISTOR WIRE; 103AT,AC,-,-,-,20	SA	1

Exploded Views and Parts List

No.	Lvl.	Loc.	Material Code	Description & Specification	SNA	Qty.
18-3	3		DB95-04718E	ASSY-THERMISTOR WIRE; 103AT,AC,-,-,-,-,20	SA	1
19	2	C0607	DB27-00094A	COIL HARMONIC; 2mH,85.8*47.5,35A,SCREW	SA	1
20	2		DB90-07288A	ASSY COVER-POWER TERMINAL; DVM PLUS S	SA	1
21	2	A3096	DB93-15039C	ASSY CONTROL OUT; ADX080VGHHA1,ASSY CONTR	SNA	1
22	2		DB93-13285D	ASSY CONTROL-FRONT; R410A,INVERTER SCROLL	SNA	1
23	2	A2788	DB90-06765B	ASSY COVER CONTROL-BOX; DVM S	SA	1
23-1	3	RB220	DB90-03829B	ASSY-WINDOW DISPLAY; RD***HHXH2,DVM PLUS	SA	1
24	2	AA565	DB95-00766V	ASSY COMP-HEATER; 1PH 230VAC,62,1300,YDH2	SA	1

3. ASSY CONTROL OUT

Exploded View



Parts List

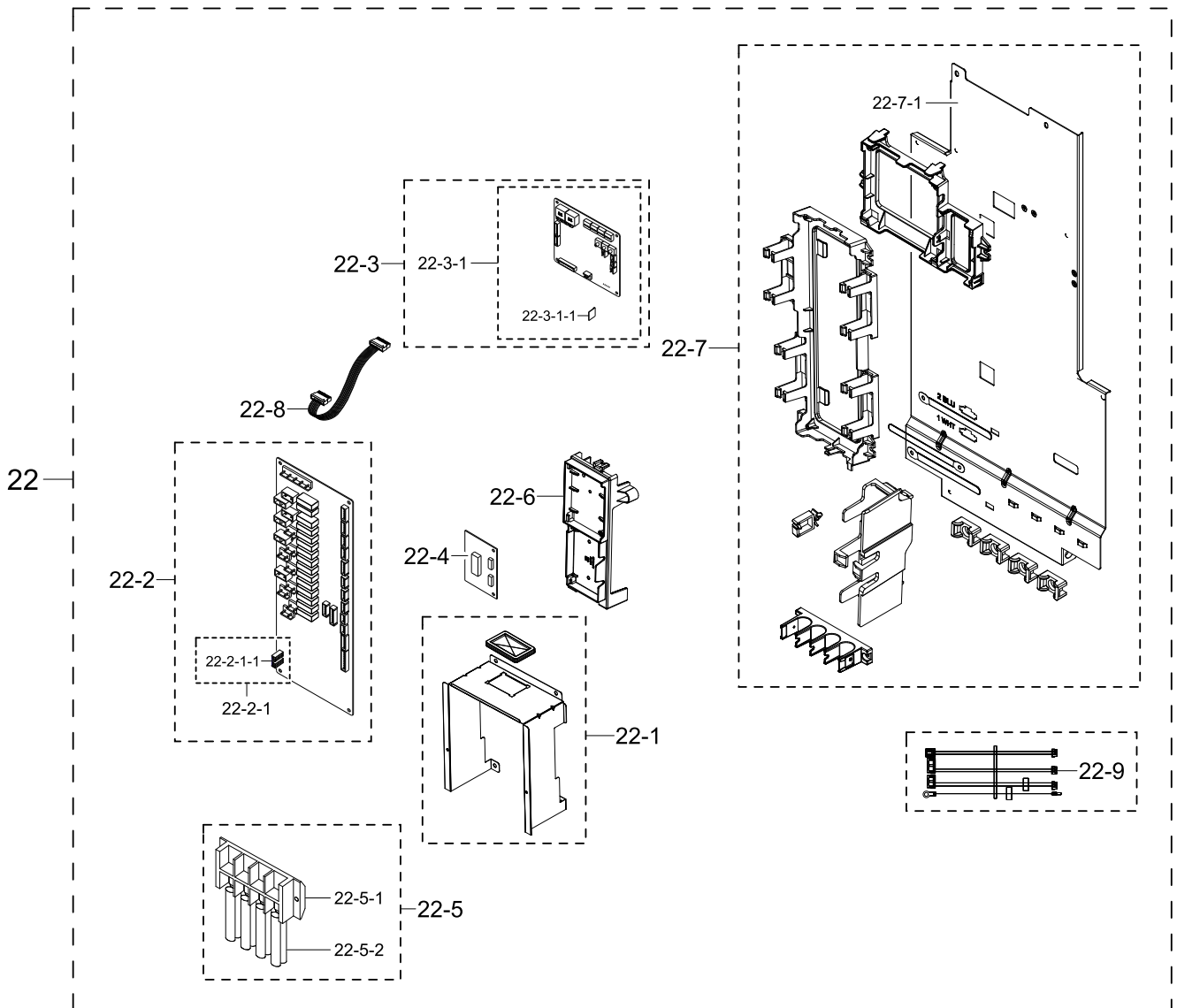
No.	Lvl.	Loc.	Material Code	Description & Specification	SNA	Qty.
21	2	A3096	DB93-15039C	ASSY CONTROL OUT; ADX080VGHHA1,ASSY CONTR	SNA	1
21-1	3	A3143	DB90-07099C	ASSY PLATE-CONTROL; DVM PLUS S,10HP / 8HP	SA	1
21-2	3		DB92-03527B	ASSY KIT; OUTDOOR,13K_DVM_12K-DVMINV,DVM	SNA	1
21-2-1	4		DB92-03526B	ASSY PCB INVERTER; INVERTER,13K_DVM_12K-D	SA	1
21-2-1-1	5	A2610	DB93-12380A	ASSY CONNECTOR WIRE-REACTOR; 2,3321,12,WH	SA	1
21-2-1-2	5	A0664	DB93-11492B	ASSY CONNECTOR WIRE-POWER; 3,1015,12,BRN,	SA	1
21-2-2	4		DB61-04920A	CASE-INVERTER PCB; DVM INVERTER,ABS,T2.5,	SA	1
21-3	3		DB93-11808F	ASSY CONTROL-FAN; OUTDOOR,DVM S,FAN,Y	SA	1
21-3-1	4	A2748	DB92-02807B	ASSY PCB MAIN; FAN,DVM S USA,230*130,N,N,	SA	1
21-3-2	4		DB61-04919B	CASE-BLDC FAN PCB; DVM INVERTER,ABS,T2.5,	SA	1
21-3-3	4	A2934	DB93-11520C	ASSY CONNECTOR WIRE-COMM; 4,2095,26,RED,S	SA	1
21-3-4	4		DB93-11485A	ASSY CONNECTOR WIRE-BLDC COMM; 8,2095,26,	SA	1
21-3-5	4	A0664	DB93-11491A	ASSY CONNECTOR WIRE-POWER; 2,1015,18,YEL,	SA	1
21-3-6	4	A3118	DB93-11906A	ASSY CONNECTOR WIRE-BLDC HALL; 6,2095,24,	SA	1

Exploded Views and Parts List

No.	Lvl.	Loc.	Material Code	Description & Specification	SNA	Qty.
21-3-7	4	A0657	DB93-11500E	ASSY CONNECTOR WIRE-MOTOR; 3,1015,18,RED,	SA	1
21-3-8	4	H0034	DB62-10633A	HEAT SINK; Al,40,102*72,SILVER	SA	1
21-3-9	4		0205-000178	GREASE-SILICON; YG6111,WHITE, for assembl	SA	0.5
21-3-10	4	A2876	DB91-00307A	ASSY-SCREW MACHINE; WW-INV,M4*16,WSP,PH,+	SA	6
21-4	3		DB93-12089C	ASSY KIT; SUB,DVM S,EMI '40A,Y	SA	1
21-4-1	4		DB61-04921A	CASE-EMI PCB; DVM INVERTER,ABS,T2.5,BLACK	SA	1
21-4-2	4	A1781	DB93-13529A	ASSY PCB SUB-EMI; SUB,DVM S,230*130,230V(SA	1
21-4-2-1	5		3602-001074	FUSE-BLOCK; 600V,60A,16.2x12.2x11mm	SA	3
21-5	3		DB96-17125A	ASSY TUBE-COOLING 10HP; DVM NEO2,10HP	SA	1
21-6	3		DB93-12405A	ASSY CONNECTOR WIRE-INVERTER SHORT; 1,156	SA	1
21-7	3		DB93-13226B	ASSY CONNECTOR WIRE-TOTAL POWER; 1,1015,1	SA	1
21-8	3		DB93-13282C	ASSY CONNECTOR WIRE-INVERTER COMP; 3,3321	SA	1
21-9	3		DB93-13412B	ASSY CONNECTOR WIRE-HUB HIGH PRESSURE; 4,	SA	1
21-10	3		0205-000178	GREASE-SILICON; YG6111,WHITE, for assembl	SA	0.7
21-11	3		DB93-11522A	ASSY CONNECTOR WIRE-INV 220; 3,1015,18,BR	SA	1

4. ASSY CONTROL-FRONT

Exploded View



Parts List

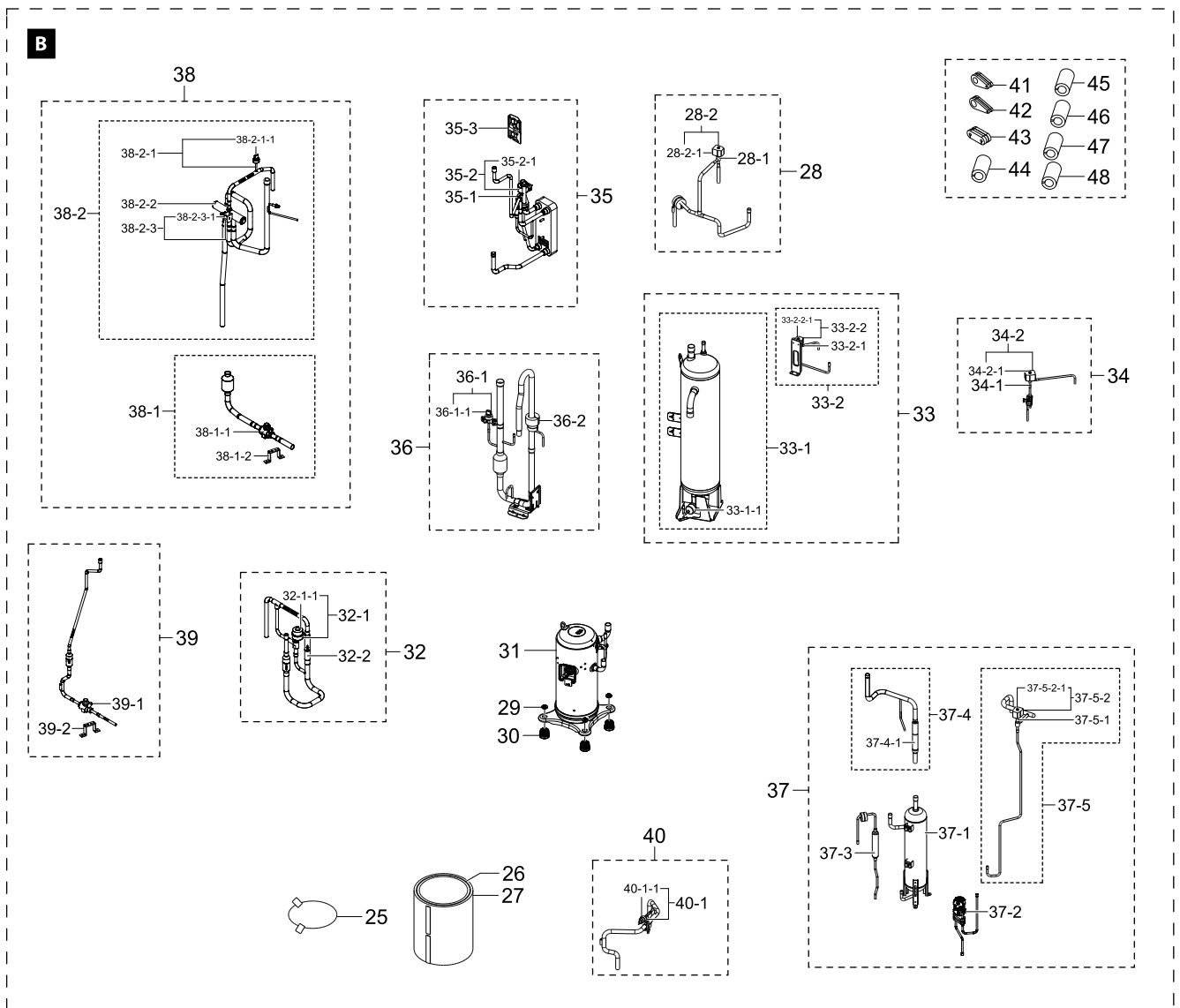
No.	Lvl.	Loc.	Material Code	Description & Specification	SNA	Qty.
22	2		DB93-13285D	ASSY CONTROL-FRONT; R410A,INVERTER SCROLL	SNA	1
22-1	3		DB90-07287B	ASSY PLATE-CONTROL; AM9000H	SA	1
22-2	3	A2748	DB92-03342A	ASSY PCB MAIN; MAIN,DVM S,295*112,Y,220V~	SA	1
22-2-1	4		DB94-05068A	ASSY HEAT SINK 1; MAIN,DVM S,295*112,220V	SNA	1
22-2-1-1	5		0205-000178	GREASE-SILICON; YG6111,WHITE, for assembl	SA	0.5
22-3	3	A2748	DB92-03340A	ASSY PCB MAIN; MAIN,14K_DVM_AM9000H,112*1	SA	1
22-3-1	4		DB94-05514A	ASSY PCB MANUAL; MAIN,14K_DVM_AM9000H,112	SNA	1
22-3-1-1	5		DB93-12483A	ASSY PCB SUB-EEPROM; SUB,DVMPLUS4 UP,20*2	SA	1

Exploded Views and Parts List

No.	Lvl.	Loc.	Material Code	Description & Specification	SNA	Qty.
22-4	3	A2574	DB93-13404A	ASSY PCB SUB-COMM; SUB,DVM S,80*60,-,-,-,	SA	1
22-5	3		DB95-05012B	ASSY-CONNECTOR WIRE TERMINAL B; DVM PLUS	SA	1
22-5-1	4	T0180	DB65-00232B	TERMINAL BLOCK-3PHASE; DVM PLUS 3,TERMINA	SA	1
22-5-2	4	A0664	DB93-13227B	ASSY CONNECTOR WIRE-POWER; 4,1015,18,SKY,	SA	1
22-6	3		DB61-05404A	CASE-TERMINAL 6P; DVM S,ABS,T2.5,BLACK	SA	1
22-7	3		DB90-07100A	ASSY PLATE-BEAM; AM220HXVHHH1,-	SA	1
22-7-1	4		DB61-05401A	PLATE-CONTROL BOX FRONT; GI-SGCC,T1,DVM P	SA	1
22-8	3		DB93-11521B	ASSY CONNECTOR WIRE-DC SIGNAL; 9,2095,26,	SA	1
22-9	3		DB93-13184A	ASSY CONNECTOR WIRE-OUTDOOR COMM; 7,1569,	SA	1

5. ASSY TUBE OUT PARTS

Exploded View



Parts List

No.	Lvl.	Loc.	Material Code	Description & Specification	SNA	Qty.
25	2		DB97-21133A	ASSY-CLOTH COMP SOUND TOP; DVM+S	SA	1
26	2		DB97-21132A	ASSY-CLOTH COMP SOUND 52 INNER; S-DVM	SA	1
27	2		DB97-21131A	ASSY-CLOTH COMP SOUND 52 OUTER; DVM+S	SA	1
28	2		DB96-17694A	ASSY TUBE-EVI BYPASS 10HP; DVM S,ADX200VG	SA	1
28-1	3	V0038	DB62-07588A	VALVE SOLENOID; .,5.8,7.94	SA	1
28-2	3		DB96-19232E	ASSY VALVE-SOLENOID; DVM S WATER,L1800,YH	SA	1
28-2-1	4	V0039	DB62-07589A	VALVE COIL-SOLENOID; AC220-240V,2000,Sol,	SA	1

Exploded Views and Parts List

No.	Lvl.	Loc.	Material Code	Description & Specification	SNA	Qty.
29	2	S0018	DB60-30028A	NUT-FLANGE; HWH,M8,ZPC(WHT),SWRCH18A,P1.2	SA	6
30	2		DB63-03269A	GROMMET-COMP INVERTER; NR	SA	4
31	2		DS-GB052FAVBSG	SCP,COMP,SCP,,R410A; SCP,COMP,SCP,,R410A		1
32	2		DB96-17450A	ASSY-TUBE EXPANSION VALVE 10HP; HP,10,R41	SA	1
32-1	3	A0498	DB95-01561C	ASSY-VALVE EXPANSION; RVXVRT100H3,ASSY	SC	1
32-1-1	4	V0011	DB62-05606A	VALVE GEAR EXPAN; BRASS,6.4,2000,2000	SA	1
32-2	3	V0020	DB62-06190B	VALVE CHECK; „1/2",1-1	SA	1
33	2		DB96-21252A	ASSY TUBE-ACCUMULATOR; DVM S,ASSY	SNA	1
33-1	3		DB96-17091A	ASSY-ACCUMULATOR 10HP; DVM S,10HP	SA	1
33-1-1	4	T0128	DB62-11876A	TUBE-FILTER; DVM S,C1220T-H,T1.4,OD38.1,N	SA	1
33-2	3		DB96-17077A	ASSY TUBE-ACCUM OIL VALVE 12HP; DVM INVER	SA	1
33-2-1	4	V0038	DB62-04149A	VALVE SOLENOID; A/C,BRASS,blue,1.9	SC	1
33-2-2	4		DB95-04865B	ASSY-OIL RETURN TUBE COIL; DVM INVERTER	SA	1
33-2-2-1	5	V0039	DB62-04150A	VALVE COIL SOLENOID; AC220-240V,2400,Sol,	SA	1
34	2		DB96-17081A	ASSY TUBE-HOT GAS; DVM INVERTER 2,12HP	SA	1
34-1	3	V0038	DB62-04149A	VALVE SOLENOID; A/C,BRASS,blue,1.9	SC	1
34-2	3		DB95-04865G	ASSY-OIL RETURN TUBE COIL; DVM INVERTER	SA	1
34-2-1	4	V0039	DB62-04150A	VALVE COIL SOLENOID; AC220-240V,2400,Sol,	SA	1
35	2	A3149	DB96-17132A	ASSY TUBE-SUBCOOLER 10HP; DVM S,10HP	SA	1
35-1	3	V0001	DB62-04065A	VALVE EXPAN; STS304,1.65mm,500	SC	1
35-2	3	A0016	DB96-13204K	ASSY-VALVE EXPAN COIL; DVM+S	SC	1
35-2-1	4		DB62-11205B	VALVE COIL EXPAN; DC12V,COIL,2000,15.45,M	SA	1
35-3	3		DB62-11717A	SEAL COVER; PE FOAM,GRAY,T10,W150	SA	1
36	2	A0045	DB96-17313C	ASSY TUBE SUCTION; DVM S,FILTERLESS TYPE,	SA	1
36-1	3	A3105	DB95-01469U	ASSY SENSOR-LOW PRESSURE COIL; DVM+S	SNA	1
36-1-1	4	S0030	DB32-00195B	SENSOR PRESSURE; Refrigerant,5V,2.0MPa,15	SA	1
36-2	3		DB67-01268A	WEIGHT RUBBER; DVM PLUS S,NR,BLACK,OD 22.	SA	1
37	2		DB96-17324A	ASSY TUBE-OIL SEPARATOR; RD080CHXH2,DVM I	SA	1
37-1	3		DB96-16927A	ASSY-OIL SEPARATOR A; DVM S	SA	1
37-2	3		DB96-17325A	ASSY TUBE CAPILLARY-OIL SEPARATOR; RD080C	SA	1
37-3	3		DB96-17662A	ASSY TUBE-VI 1COMP 8HP; ADX080VGHHA1,DVM	SA	1
37-4	3		DB96-17134A	ASSY TUBE-OIL SEPA OUT 10HP; DVM NEO2,10H	SA	1
37-4-1	4	V0020	DB62-06188B	VALVE CHECK; „5/8",1-1	SA	1
37-5	3		DB96-17147A	ASSY TUBE-VAPOR INJECTION 10HP; ADX100VGH	SA	1
37-5-1	4	V0038	DB62-07588A	VALVE SOLENOID; „5.8,7.94	SA	1

No.	Lvl.	Loc.	Material Code	Description & Specification	SNA	Qty.
37-5-2	4	A2106	DB95-04555E	ASSY-SOLENOID COIL; DVM PLUS S	SC	1
37-5-2-1	5	V0039	DB62-07589A	VALVE COIL-SOLENOID; AC220-240V,2000,Sol,	SA	1
38	2	A3151	DB96-17322A	ASSY TUBE-4WAY GAS BALL VALVE 8HP; RD080C	SA	1
38-1	3	A3152	DB96-17323A	ASSY TUBE-GAS BALL VALVE 8HP; RD080CHXH2,	SA	1
38-1-1	4		DB62-10812A	VALVE SERVICE-BALL; „,3/4",R410A, PIPE	SA	1
38-1-2	4		DB61-04085A	BRACKET-BALL VALVE GAS 12HP; -,EGI-SECC,T	SA	1
38-2	3		DB96-17142A	ASSY-4WAY VALVE 10HP; HP,10,R410A,DVM NEO	SA	1
38-2-1	4	A3145	DB95-01549V	ASSY SENSOR-HIGH PRESSURE COIL; DVM S	SA	1
38-2-1-1	5	S0030	DB32-00194B	SENSOR PRESSURE; Refrigerant,5V,5.0MPa,15	SA	1
38-2-2	4	V0010	DB62-02834A	VALVE 4WAY; „-,Common,5	SA	1
38-2-3	4		DB95-05076B	ASSY VALVE-SOLENOID; DVM S WATER,L1650	SA	1
38-2-3-1	5	S0100	DB33-00047B	VALVE COIL SOLENOID; AC220-240V,2000,4way	SA	1
39	2	A3148	DB96-17133A	ASSY TUBE-LIQUID BALL VALVE 10HP; DVM NEO	SA	1
39-1	3		DB62-10811A	VALVE SERVICE-BALL; „,3/8", R410A, PIPE	SA	1
39-2	3		DB61-04074A	BRACKET-BALL VALVE 5 8; DVM PLUS3 U,EGI-	SA	1
40	2		DB96-17314A	ASSY TUBE DISCHARGE-A 8HP; RD080CHXH2,DVM	SA	1
40-1	3	A2226	DB95-04864A	ASSY SWITCH PRESSURE; -,,-,-,-,-,-,-,-	SC	1
40-1-1	4	RJ101	DB34-00071B	SWITCH PRESSURE; AC 250V/DC 12V,AC 16A/DC	SA	1
41	2		DB61-05571A	SUPPORT-RUBBER; AM200MXVAFCA,CHLOROPRENE	SNA	1
42	2		DB61-05573A	SUPPORT-RUBBER; ADX200VGHHA1,CHLOROPRENE	SNA	1
43	2		DB73-00210A	RUBBER-SUPPORT; RMAH340H1MA,CHLOROPRENE R	SA	1
44	2		DB62-04154B	INSULATION-HOLDER WIRE; PP FOAM+PE FOAM	SNA	1
45	2		DB62-03808C	INSULATION-HOLDER SENSOR; PP FOAM+PE FOAM	SNA	2
46	2		DB62-03808D	INSULATION-HOLDER SENSOR; PP FOAM+PE FOAM	SNA	1
47	2		DB62-03808E	INSULATION-HOLDER SENSOR; PP FOAM+PE FOAM	SNA	1
48	2		DB62-03808B	INSULATION-HOLDER SENSOR; PP FOAM+PE FOAM	SNA	1