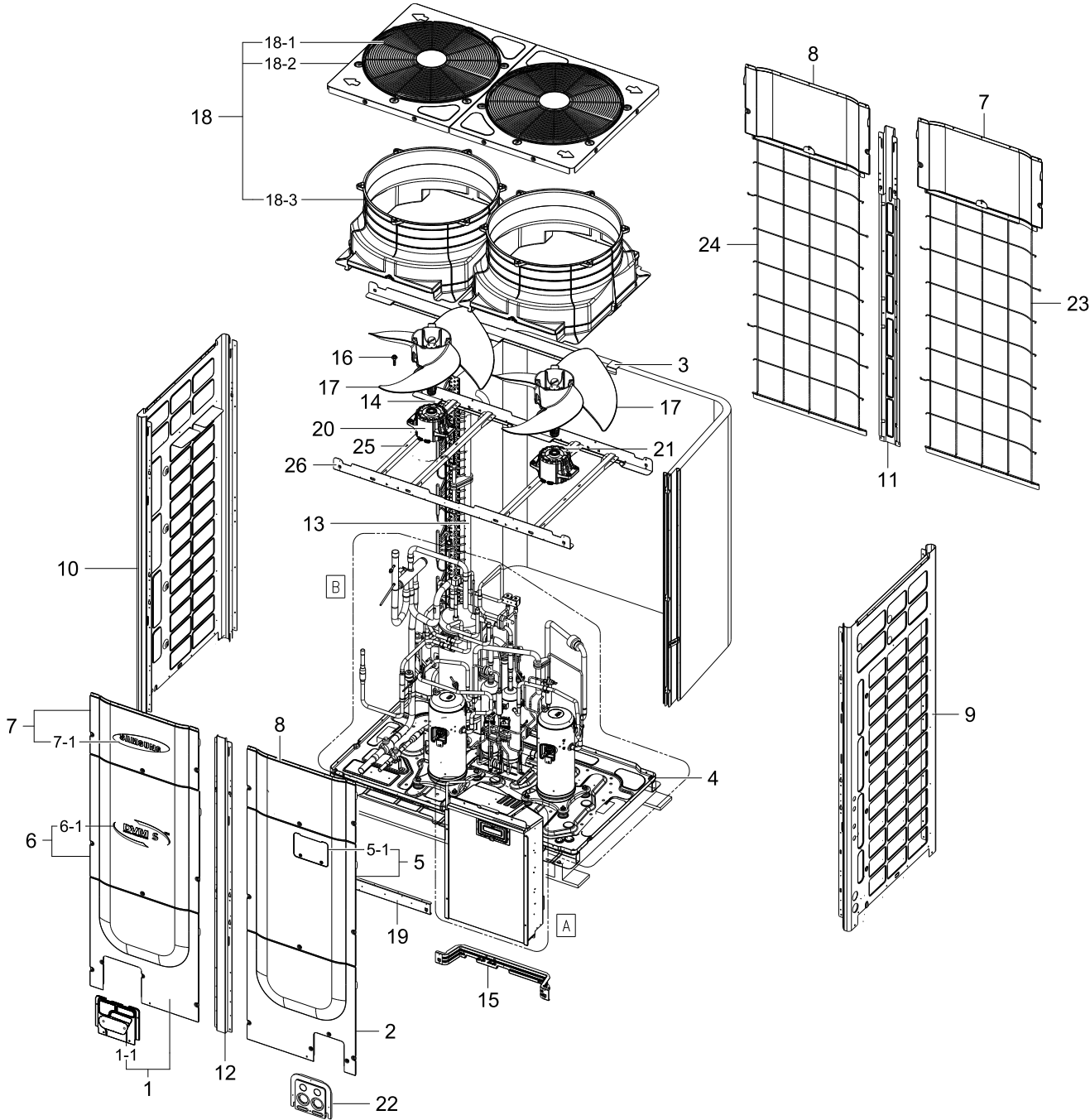


1. AM160FXVAGR/TK

Exploded View



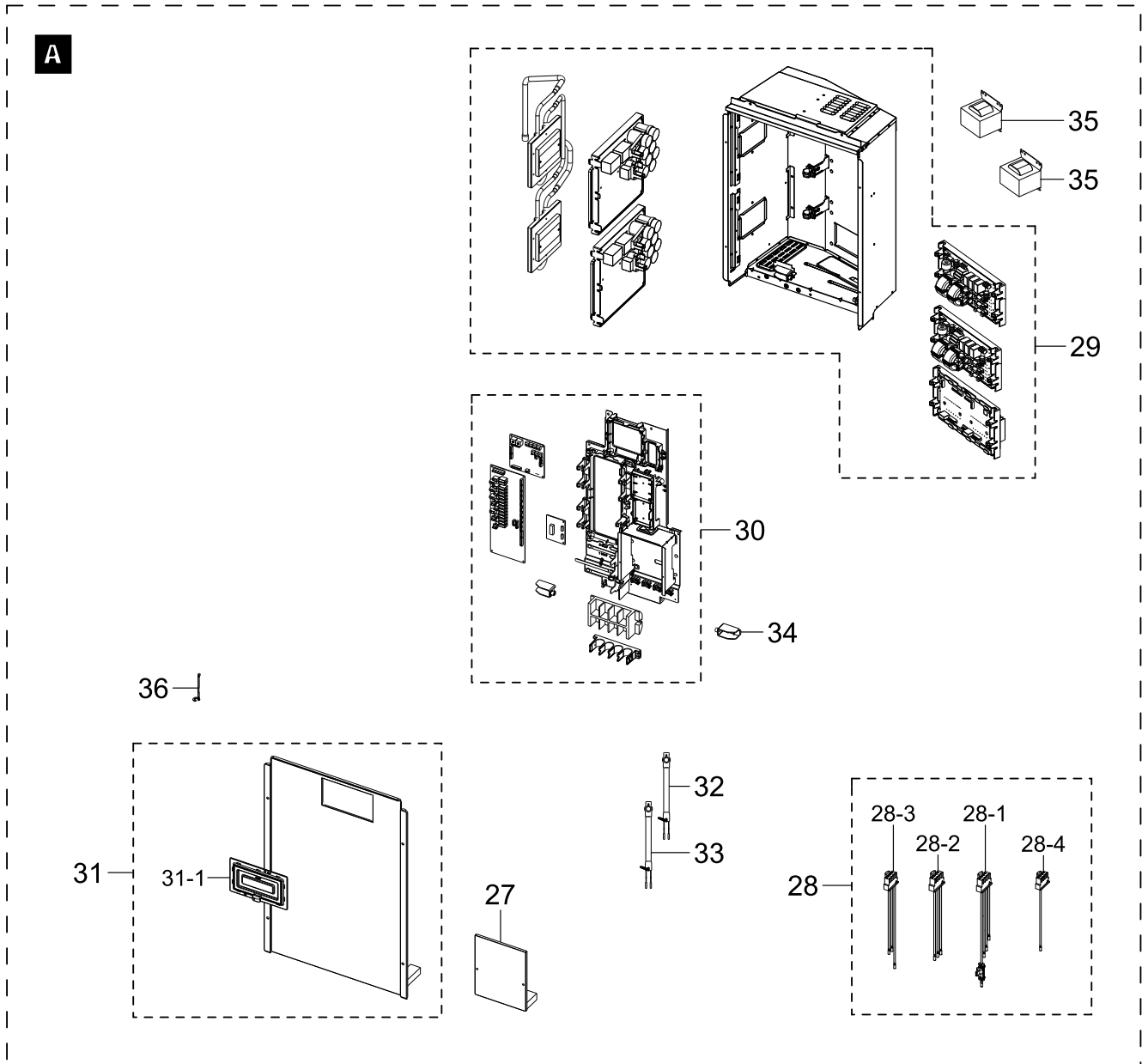
Parts List

No.	Lvl.	Loc.	Material Code	Description & Specification	SNA	Qty.
1	2	A3110	DB90-05194D	ASSY CABI FRONT-LOW LF; RD200HHXH2,DVM PL	SA	1
1-1	3		DB61-04537B	PLATE-COVER INSTALLATION; EGI-SECC,T1.0,E	SA	1
2	2		DB90-05193J	ASSY CABI FRONT RH-LOW; DVM S EU HR	SA	1
3	2		DB61-00533A	HOLDER-CLAMP COND; RVXMHF050GA,GI-SGCC,T0	SNA	1
4	2	A0110	DB90-07053B	ASSY BASE-OUTDOOR 20HP; DVM S EU,20HP	SA	1
5	2	A3111	DB90-05195B	ASSY CABI FRONT-MID RH 20HP; RD200HHXH1,D	SA	1
5-1	3		DB63-02406B	COVER-WINDOW DISPLAY; DVM PLUS 4,EGI-SECC	SA	1
6	2	A3112	DB90-05197E	ASSY CABI FRONT-MID LF 20HP; ADX200VGHBB1	SA	1
6-1	3		DB98-34406B	ASSY-LABEL LOGO DVM S; DVM S	SA	1
7	2	A3113	DB90-05199C	ASSY CABINET-UPPER LF 20HP; RD200HHXH1,DV	SA	2
7-1	2		DB98-15723C	ASSY-LABEL CAUTION POWER; HP,ART90+L/C,DV	SNA	1
8	2	A3113	DB90-05199E	ASSY CABINET-UPPER LF 20HP; RD200HHXH1,DV	SA	2
9	2	A0206	DB90-05200C	ASSY CABINET-SIDE RH 20HP; RD200HHXH2,DVM	SA	1
10	2	A0204	DB90-05201C	ASSY CABINET-SIDE LF 20HP; RD200HHXH2,DVM	SA	1
11	2	A3114	DB90-05218B	ASSY CABINET-BEAM BACK 20HP; RD200HHXH1,D	SA	1
12	2	A3115	DB90-05219C	ASSY CABINET-BEAM FRONT 20HP; RD200HHXH1,	SA	1
13	2	A0590	DB96-14515A	ASSY COND OUT-16HP; DVM PLUS 4 UP	SA	1
14	2	A3102	DB90-05223A	ASSY-BACK BEAM UP 20HP; DVM PLUS4	SA	1
15	2	A3116	DB90-05225G	ASSY-FRONT BEAM CONTROL BOX 20HP; DVM PLU	SA	1
16	2	C0212	6011-001183	BOLT-FLANGE; M6,L30,ZPC(WHITE),SWRCH18A	SA	8
17	2		DB94-03285B	ASSY FAN PROPELLER; DVM PLUS 4,575 PI, BL	SA	2
18	2	A2633	DB90-05487D	ASSY COVER TOP-20HP; RD200HHXH1	SA	2
18-1	3		DB63-02615B	GUARD FAN-SMALL PD; RD120HHXH1,MSWR,T1.0,	SA	2
18-2	3		DB63-02617C	COVER TOP-PD 20HP; RD200HHXH1,EGI-SECC,T1	SC	2
18-3	3	B0115	DB62-07398A	BELLOW-MOUTH 20HP; DVM PLUS3 UP,PP,SC-900	SA	2

No.	Lvl.	Loc.	Material Code	Description & Specification	SNA	Qty.
19	2		DB90-05867B	ASSY-FRONT BEAM POWER BOX; RD200HHXH2,DVM	SA	1
20	2	M0039	DB31-00614E	MOTOR FAN; 620W,DC310V,CLASS E , WHITE	SA	1
21	2	M0039	DB31-00614F	MOTOR FAN; 620W,DC310V,CLASS E , BLUE	SA	1
22	2		DB63-01441B	COVER-PLATE; RVXVHT100H1,EGI-SECC,T0.8,-,	SA	1
23	2		DB90-05409C	ASSY-GUARD COND BACK RH 20HP; ADX200VGHHA	SA	1
24	2		DB90-05408C	ASSY-GUARD COND BACK LF 20HP; ADX200VGHHA	SA	1
25	2	B0516	DB61-02255A	BRACKET MOTOR; DVM PLUS 2,SGHC_HGI,2.3,10	SA	4
26	2	A2444	DB90-05224C	ASSY-FRONT BEAM UP 20HP; 20HP,DVM INVERTE	SA	1

2. ASSY CONTROL OUT PARTS

Exploded View



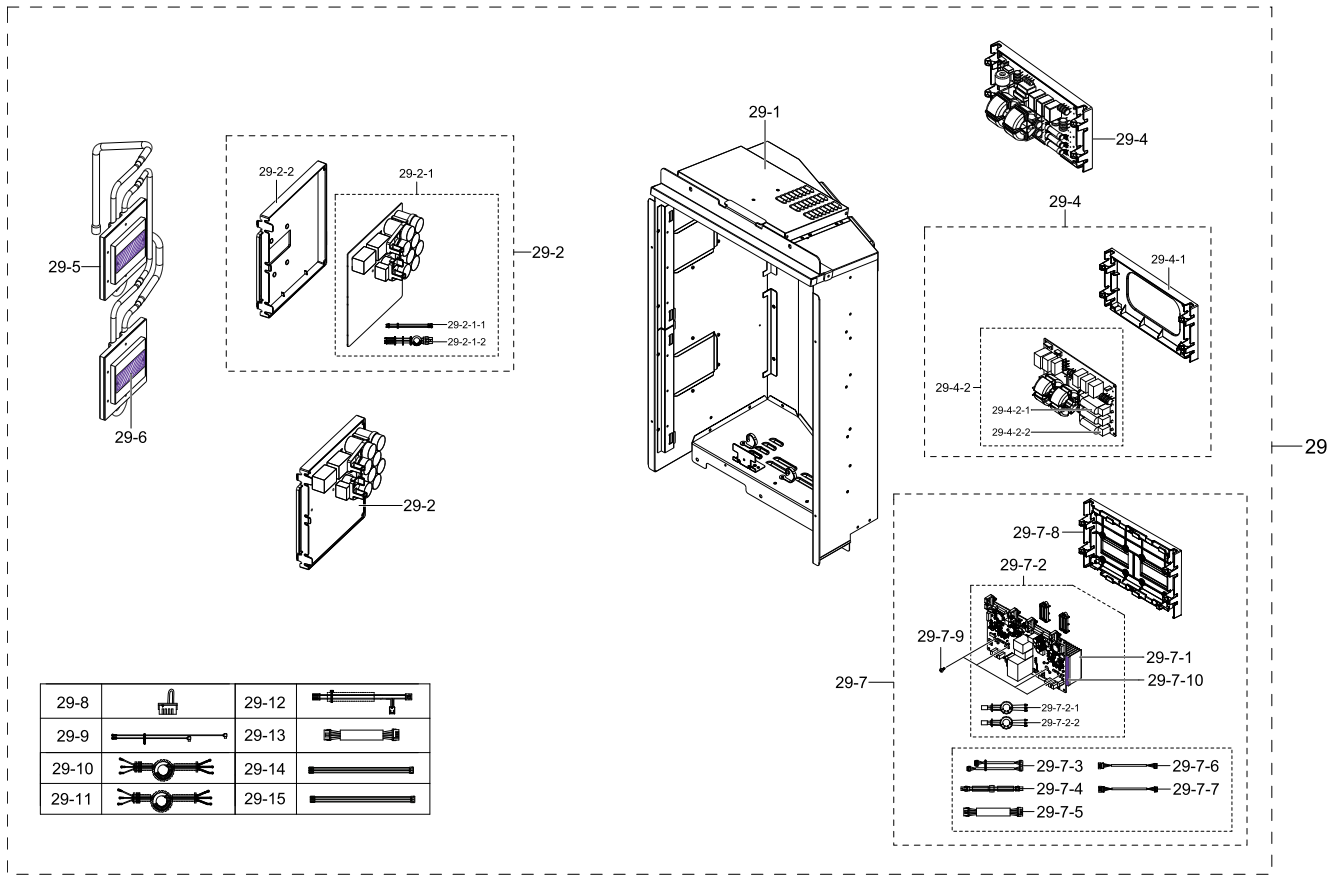
Parts List

No.	Lvl.	Loc.	Material Code	Description & Specification	SNA	Qty.
27	2		DB90-07288A	ASSY COVER-POWER TERMINAL; DVM PLUS S	SA	1
28	2	A3061	DB95-05010D	ASSY THERMISTOR-TOTAL; -,103HW,6P,2200,Dup	SA	1
28-1	3		DB95-04716D	ASSY-THERMISTOR WIRE; -,204CTB,6P,2200,Du	SA	1
28-2	3		DB95-04717D	ASSY-THERMISTOR WIRE; -,103HW,6P,1700,Dup	SA	1

No.	Lvl.	Loc.	Material Code	Description & Specification	SNA	Qty.
28-3	3		DB95-04718D	ASSY-THERMISTOR WIRE; -,103HW,6P,1950,Dup	SA	1
28-4	3	A2554	DB95-05125A	ASSY THEMISTOR; SUCTION2,103HW,7P,1500,Du	SA	1
29	2	A0700	DB93-13284C	ASSY CONTROL OUT-BOX; INV,14HP,INVERTER S	SNA	1
30	2		DB93-13285C	ASSY CONTROL-FRONT; R410A,INVERTER SCROLL	SNA	1
31	2	A2788	DB90-06765B	ASSY COVER CONTROL-BOX; DVM S	SA	1
31-1	3	RB220	DB90-03829B	ASSY-WINDOW DISPLAY; RD***HHXH2,DVM PLUS	SA	1
32	2	AA565	DB95-00766V	ASSY COMP-HEATER; 230,62,1300,YDH236-02(W	SA	1
33	2	AA565	DB95-00766W	ASSY COMP-HEATER; 230,62,1300,YDH236-02((SA	1
34	2		DB61-05409A	HOLDER-CONTROL HINGE; DVM PLUS S,ABS,T2.5	SNA	1
35	2	C0607	DB27-00095A	COIL HARMONIC; 2mH,85.8*32.0,23A,SCREW	SA	2
36	2	S0242	DB81-00635A	SPRING ETC-SENSOR; DVM-SYSTEM,STS304,R2.5	SA	8

3. ASSY CABINET-CONTROL BOX

Exploded View



Parts List

No.	Lvl.	Loc.	Material Code	Description & Specification	SNA	Qty.
29	2	A0700	DB93-13284C	ASSY CONTROL OUT-BOX; INV,14HP,INVERTER S	SNA	1
29-1	3	A3143	DB90-07099A	ASSY CABINET-CONTROL BOX; DVM PLUS S	SA	1
29-2	3		DB93-11807E	ASSY CONTROL-INVERTER; OUTDOOR,DVM S,-,Y	SC	2
29-2-1	4		DB92-02782A	ASSY PCB INVERTER; INVERTER,DVM S,240*260	SA	2
29-2-1-1	5	A2610	DB93-12380A	ASSY CONNECTOR WIRE-REACTOR; 2,3321,12,WH	SA	2
29-2-1-2	5	A0664	DB93-11492B	ASSY CONNECTOR WIRE-POWER; 3,1015,12,BRN,	SA	2
29-2-2	4		DB61-04920A	CASE-INVERTER PCB; DVM INVERTER,ABS,T2.5,	SA	2
29-4	3		DB93-12089C	ASSY KIT; SUB,DVM S,EMI '40A,Y	SA	2
29-4-1	4		DB61-04921A	CASE-EMI PCB; DVM INVERTER,ABS,T2.5,BLACK	SA	2

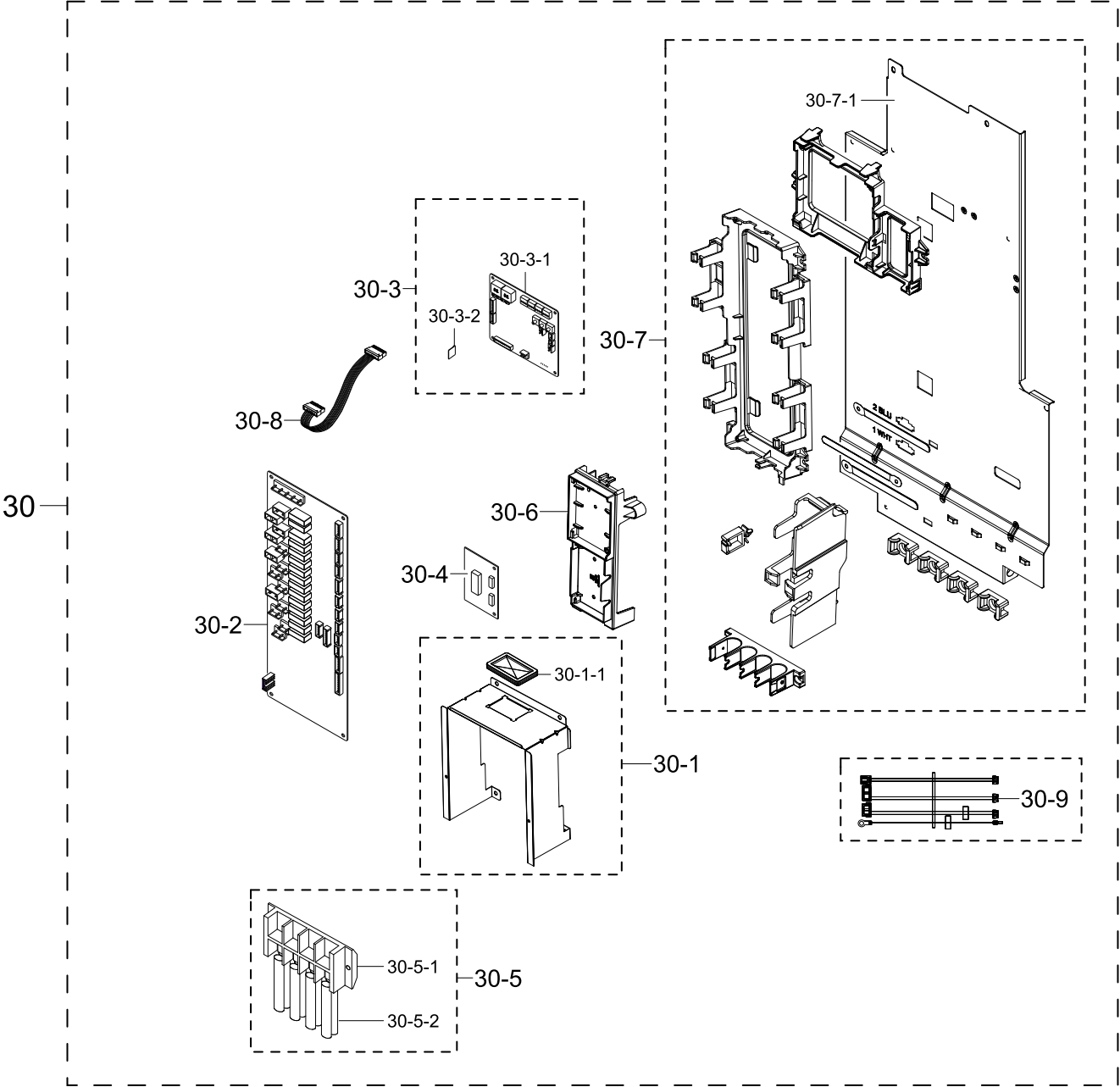
No.	Lvl.	Loc.	Material Code	Description & Specification	SNA	Qty.
29-4-2	4	A1781	DB93-13529A	ASSY PCB SUB-EMI; SUB,DVM S,230*130,230V(SA	2
29-4-2-1	5	F0178	3601-001659	FUSE-CARTRIDGE; 690V,40A,FAST-ACTING,77x1	SA	6
29-4-2-2	5		3602-001074	FUSE-BLOCK; 600V,60A,16.2x12.2x11mm	SA	6
29-5	3		DB96-17068A	ASSY TUBE-COOLING 1PATH 20HP; DVM NEO2,20	SA	1
29-6	3		0205-000178	GREASE-SILICON; YG6111,WHITE, for assembl	SA	1
29-7	3		DB93-11808E	ASSY CONTROL-FAN; OUTDOOR,DVM S,-,Y	SC	1
29-7-1	4	H0034	DB62-10633A	HEAT SINK; A6063,40,102*72,SILVER	SA	2
29-7-2	4	A2748	DB92-02807A	ASSY PCB MAIN; FAN,DVM S USA,230*130,N,N,	SA	1
29-7-2-1	5	A0657	DB93-11500E	ASSY CONNECTOR WIRE-MOTOR; 3,1015,18,RED,	SA	1
29-7-2-2	5	A0657	DB93-11500F	ASSY CONNECTOR WIRE-MOTOR; 3,1015,18,RED,	SA	1
29-7-3	4		DB93-11485A	ASSY CONNECTOR WIRE-BLDC COMM; 8,2095,26,	SA	1
29-7-4	4	A0664	DB93-11491A	ASSY CONNECTOR WIRE-POWER; 2,1015,18,YEL,	SA	1
29-7-5	4	A2934	DB93-11520C	ASSY CONNECTOR WIRE-COMM; 4,2095,26,RED,S	SA	1
29-7-6	4	A3118	DB93-11906A	ASSY CONNECTOR WIRE-BLDC HALL; 6,2095,24,	SA	1
29-7-7	4	A3118	DB93-11906B	ASSY CONNECTOR WIRE-BLDC HALL; 6,2095,24,	SA	1
29-7-8	4		DB61-04919A	CASE-BLDC FAN PCB; DVM INVERTER,ABS,T2.5,	SA	1
29-7-9	4	A2876	DB91-00307A	ASSY-SCREW MACHINE; WW-INV,M4*16,WSP,PH,+	SA	12
29-7-10	4		0205-000178	GREASE-SILICON; YG6111,WHITE, for assembl	SA	0
29-8	3		DB93-12405A	ASSY CONNECTOR WIRE-INVERTER SHORT; 1,156	SA	1
29-9	3		DB93-13226A	ASSY CONNECTOR WIRE-TOTAL POWER; 2,1015,1	SA	1
29-10	3		DB93-13282A	ASSY CONNECTOR WIRE-INVERTER COMP; 3,3321	SA	1
29-11	3		DB93-13282B	ASSY CONNECTOR WIRE-INVERTER COMP; 3,3321	SA	1
29-12	3		DB93-13412A	ASSY CONNECTOR WIRE-HUB HIGH PRESSURE; 4,	SA	1
29-13	3	A2934	DB93-11520B	ASSY CONNECTOR WIRE-COMM; 4,1007,26,RED,S	SA	1

Exploded Views and Parts List

No.	Lvl.	Loc.	Material Code	Description & Specification	SNA	Qty.
29-14	3		DB93-11522A	ASSY CONNECTOR WIRE-INV 220; 3,1015,18,BR	SA	1
29-15	3		DB93-11522B	ASSY CONNECTOR WIRE-INV 220; 3,1015,18,BR	SA	1

4. ASSY CONTROL-FRONT

Exploded View

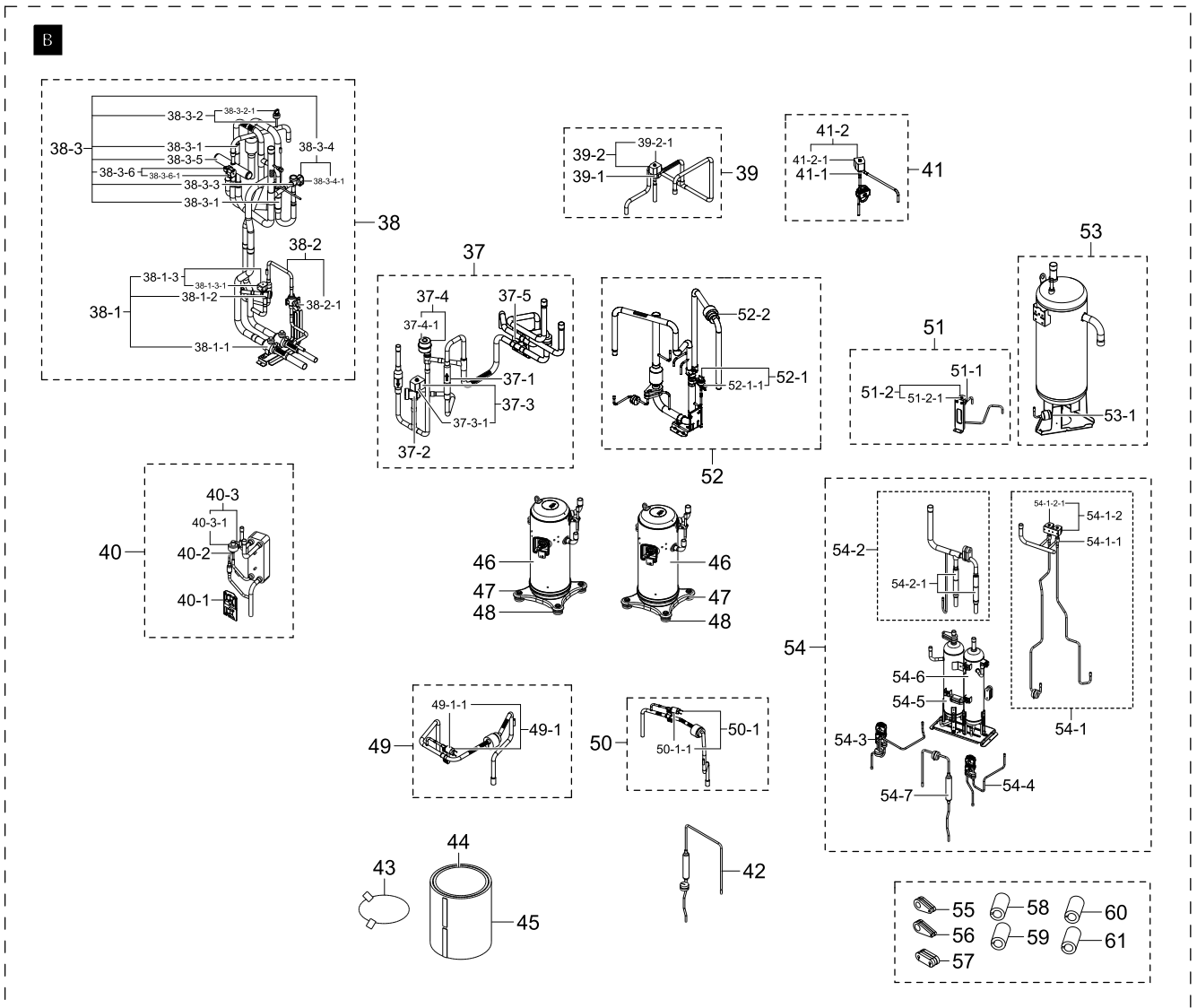


Parts List

No.	Lvl.	Loc.	Material Code	Description & Specification	SNA	Qty.
30	2		DB93-13285C	ASSY CONTROL-FRONT; R410A,INVERTER SCROLL	SNA	1
30-1	3		DB90-07287A	ASSY CABINET-POWER TERMINAL; DVM PLUS S	SA	1
30-1-1	4		DB73-00307B	RUBBER-WIRE HOLE; ADX100VAGHA/SC,RUBBER,5	SA	1
30-2	3		DB93-11696B	ASSY PCB MAIN-HUB; MAIN,DVM S,295*112,AC2	SC	1
30-3	3		DB93-12580D	ASSY PBA-MAIN; DVM S TRANE,NASA,S3FM02G	SA	1
30-3-1	4	A2748	DB93-11697D	ASSY PCB MAIN; MAIN,DVM S,112*112,-,-,-,M	SC	1
30-3-2	4		DB93-12483A	ASSY PCB SUB-EEPROM; SUB,DVMPLUS4 UP,20*2	SA	1
30-4	3	A2574	DB93-13404A	ASSY PCB SUB-COMM; SUB,DVM S,80*60,-,-,-,SA	SA	1
30-5	3		DB95-05012A	ASSY-CONNECTOR WIRE TERMINAL B; DVM PLUS	SA	1
30-5-1	4	T0180	DB65-00232B	TERMINAL BLOCK-3PHASE; DVM PLUS 3,TERMINA	SA	1
30-5-2	4	A0664	DB93-13227A	ASSY CONNECTOR WIRE-POWER; 8,1015,12,BRN,	SA	1
30-6	3		DB61-05404A	CASE-TERMINAL 6P; DVM S,ABS,T2.5,BLACK	SA	1
30-7	3		DB90-07100A	ASSY-PLATE CONTROL FRONT; DVM PLUS S	SA	1
30-7-1	4		DB61-05401A	PLATE-CONTROL BOX FRONT; GI-SGCC,T1.0,DVM	SA	1
30-8	3		DB93-11521B	ASSY CONNECTOR WIRE-DC SIGNAL; 9,2095,26,	SA	1
30-9	3		DB93-13184A	ASSY CONNECTOR WIRE-OUTDOOR COMM; 7,1569,	SA	1

5. ASSY TUBE OUT PARTS

Exploded View



Parts List

No.	Lvl.	Loc.	Material Code	Description & Specification	SNA	Qty.
37	2		DB96-17948A	ASSY TUBE-EXPANSION VV HR 16HP; DVM S HR,	SNA	1
37-1	3	V0020	DB62-06190B	VALVE CHECK; „1/2",1-1	SA	1
37-2	3	V0038	DB62-09632A	VALVE SOLENOID; „11,12.7	SA	1
37-3	3	A2106	DB95-05076C	ASSY-SOLENOID COIL; DVM S HR	SA	1
37-3-1	4	V0039	DB62-07589B	VALVE COIL-SOLENOID; AC220-240V,1500,Sol,	SA	1
37-4	3	A0498	DB96-14558E	ASSY-VALVE EXPANSION; HP,R410A,DVM PLUS S	SA	1
37-4-1	4		DB62-09643A	VALVE GEAR EXPAN; 8.0,2500,2000	SA	1

Exploded Views and Parts List

No.	Lvl.	Loc.	Material Code	Description & Specification	SNA	Qty.
37-5	3		DB90-07310A	ASSY BRACKET-EXPANSION FRONT; ADX200VGHHA	SA	1
38	2		DB96-17962A	ASSY TUBE-4WAY GAS BALL VV HR 16HP; DVM S	SA	1
38-1	3		DB96-17952A	ASSY TUBE-GAS BALL VV HR 16HP; DVM S HR	SA	1
38-1-1	4	A2865	DB62-07613A	VALVE SERVICE-BALL; .,9/8",R410A, PIPE	SA	2
38-1-2	4	V0038	DB62-09633A	VALVE SOLENOID; .,-,13	SA	1
38-1-3	4	A2106	DB95-05076E	ASSY-SOLENOID COIL; DVM S HR	SA	1
38-1-3-1	5	V0039	DB62-07589B	VALVE COIL-SOLENOID; AC220-240V,1500,Sol,	SA	1
38-2	3		DB96-17954A	ASSY TUBE-LQD BALL EEV HR 16HP; DVM S HR	SA	1
38-2-1	4	A2865	DB62-07618A	VALVE SERVICE-BALL; .,1/2", R410A, PIPE	SA	1
38-3	3		DB96-17964A	ASSY TUBE-4WAY MAIN COOLING HR 16HP; DVM	SA	1
38-3-1	4	V0020	DB62-06187B	VALVE CHECK; .,-,1-1,19.05	SA	2
38-3-2	4	A3145	DB95-01549T	ASSY-SENSOR HIGH PRESSURE COIL; DVM+S	SNA	1
38-3-2-1	5	S0030	DB32-00194A	SENSOR PRESSURE; Refrigerant,5,5.0MPa,200	SA	1
38-3-3	4	V0038	DB62-09633A	VALVE SOLENOID; .,-,13	SA	1
38-3-4	4	A2106	DB95-05076A	ASSY-SOLENOID COIL; DVM S HR	SA	1
38-3-4-1	5	V0039	DB62-07589B	VALVE COIL-SOLENOID; AC220-240V,1500,Sol,	SA	1
38-3-5	4	S0270	DB33-00070A	VALVE 4WAY; 10hp, COMMON	SA	1
38-3-6	4	A2855	DB96-13291A	ASSY-4WAY VALVE COIL; DVM PLUS4,ASSY	SC	1
38-3-6-1	5	S0271	DB33-00072A	SOLENOID-4WAY COIL; AC220-240V,1500,4way,	SA	1
39	2	A3131	DB96-16908A	ASSY TUBE-EVI BYPASS 20HP; DVM INVERTER 2	SA	1
39-1	3	V0038	DB62-07588A	VALVE SOLENOID; .,-,5.8,7.94	SA	1
39-2	3	A2106	DB95-02052Z	ASSY-SOLENOID COIL; DVM+S	SA	1
39-2-1	4	V0039	DB62-07589B	VALVE COIL-SOLENOID; AC220-240V,1500,Sol,	SA	1
40	2		DB96-18614A	ASSY TUBE SUBCOOLER; DVM S	SA	1
40-1	3		DB62-11717A	SEAL COVER; PE FOAM,GRAY,T10,W150	SA	1
40-2	3	V0001	DB62-04065A	VALVE EXPAN; SUS,1.65,500	SC	1
40-3	3	A0016	DB96-13204K	ASSY-VALVE EXPAN COIL; DVM+S	SC	1
40-3-1	4		DB62-11205B	VALVE COIL EXPAN; DC12V,COIL,2000,15.45,M	SA	1
41	2		DB96-17081A	ASSY TUBE-HOT GAS; DVM INVERTER 2,12HP	SA	1
41-1	3	V0038	DB62-04149A	VALVE SOLENOID; .,-,1.9	SC	1

No.	Lvl.	Loc.	Material Code	Description & Specification	SNA	Qty.
41-2	3		DB95-04865G	ASSY-OIL RETURN TUBE COIL; DVM INVERTER	SA	1
41-2-1	4	V0039	DB62-04150A	VALVE COIL SOLENOID; AC220-240V,2400,Sol,	SA	1
42	2		DB96-17649A	ASSY TUBE-VI 2COMP 20HP; ADX200VGHHA1,DVM	SA	1
43	2		DB97-21133A	ASSY-CLOTH COMP SOUND TOP; DVM+S	SA	2
44	2		DB97-21132A	ASSY-CLOTH COMP SOUND 52 INNER; S-DVM	SA	2
45	2		DB97-21131A	ASSY-CLOTH COMP SOUND 52 OUTER; DVM+S	SA	2
46	2		DS-GB052FAVBSG	SCP,63F(SCROLL),F,R410A; SCP,63F(SCROLL),F,R410A		2
47	2	S0018	DB60-30028A	NUT-FLANGE; HWH,M8,ZPC(WHT),SWRCH18A,P1.2	SA	10
48	2		DB63-03269A	GROMMET-COMP INVERTER; NR	SA	8
49	2		DB96-17288A	ASSY TUBE DISCHARGE-A 16HP; ADX160VGHHXB1	SA	1
49-1	3		DB95-04864C	ASSY-SWTICH PRESSURE; DVM INVERTER	SC	1
49-1-1	4	RJ101	DB34-00071B	SWITCH PRESSURE; AC 250V/DC 12V,AC 16A/DC	SA	1
50	2		DB96-17289A	ASSY TUBE DISCHARGE-B 16HP; ADX160VGHHXB1	SA	1
50-1	3		DB95-04864B	ASSY-SWTICH PRESSURE; DVM INVERTER	SC	1
50-1-1	4	RJ101	DB34-00071B	SWITCH PRESSURE; AC 250V/DC 12V,AC 16A/DC	SA	1
51	2		DB96-16918A	ASSY TUBE-ACCUM OIL VALVE 20HP; DVM INVER	SA	1
51-1	3	V0038	DB62-04149A	VALVE SOLENOID; .,1.9	SC	1
51-2	3		DB95-04865H	ASSY-OIL RETURN TUBE COIL; DVM S	SA	1
51-2-1	4	V0039	DB62-04150A	VALVE COIL SOLENOID; AC220-240V,2400,Sol,	SA	1
52	2		DB96-17287A	ASSY TUBE SUCTION-16HP; ADX160VGHHXB1,DVM	SA	1
52-1	3		DB95-04866F	ASSY-SENSOR LOW PRESSURE COIL; DVM S,ADX2	SA	1
52-1-1	4		DB32-00195A	SENSOR PRESSURE; Refrigerant,5,2.0MPa,200	SA	1
52-2	3		DB67-01268A	WEIGHT RUBBER; DVM PLUS S,NR,BLACK,OD 22.	SA	1
53	2	A0316	DB96-16928A	ASSY-ACCUMULATOR 20HP; DVM S,20HP	SA	1
53-1	3	T0128	DB62-00541E	TUBE-FILTER; MXD-18K214A,C1220T-H,T1,OD19	SA	1
54	2		DB96-17321A	ASSY-TUBE OIL SEPARATOR 16HP; ADX160VGHHX	SA	1
54-1	3		DB96-17291A	ASSY TUBE-VAPOR INJECTION 16HP; ADX160VGH	SA	1
54-1-1	4	V0038	DB62-07588A	VALVE SOLENOID; .,5.8,7.94	SA	2

Exploded Views and Parts List

No.	Lvl.	Loc.	Material Code	Description & Specification	SNA	Qty.
54-1-2	4	A2106	DB95-04555F	ASSY-SOLENOID COIL; DVM+S	SC	1
54-1-2-1	5	V0039	DB62-0A	VALVE COIL-SOLENOID; AC220-240V,2000,Sol,	SA	2
54-2	3		DB96-17292A	ASSY TUBE CHECK-OIL SEPARATOR; ADX160VGHH	SA	1
54-2-1	4	V0020	DB62-06188B	VALVE CHECK; .,5/8",1-1	SA	2
54-3	3		DB96-17293A	ASSY TUBE-OIL RETURN A 16HP; ADX160VGHHXB	SA	1
54-4	3		DB96-17294A	ASSY TUBE CAPILLARY-OIL SEPARATOR; ADX160	SA	1
54-5	3		DB96-17639A	ASSY-OIL SEPARATOR C; DVM S	SA	1
54-6	3		DB96-17640A	ASSY-OIL SEPARATOR D; DVM S	SA	1
54-7	3		DB96-17648A	ASSY TUBE-VI 1COMP 20HP; ADX200VGHHA1,DVM	SA	1
55	2		DB61-05571A	SUPPORT-RUBBER; CR RUBBER,50,BLACK,22.22-	SNA	1
56	2		DB61-05574A	SUPPORT-RUBBER; ADX200VGHHA1,CHLOROPRENE	SNA	1
57	2		DB73-00533A	RUBBER-SUPPORT 7 7 42; DVM PLUS4,CHLOROPR	SNA	1
58	2		DB62-03808A	INSULATION-HOLDER SENSOR; PP FOAM+PE FOAM	SNA	2
59	2		DB62-03808C	INSULATION-HOLDER SENSOR; PP FOAM+PE FOAM	SNA	4
60	2		DB62-03808E	INSULATION-HOLDER SENSOR; PP FOAM+PE FOAM	SNA	1
61	2		DB62-04154C	INSULATION-HOLDER WIRE; PE FOAM,8,ID 20,5	SNA	2