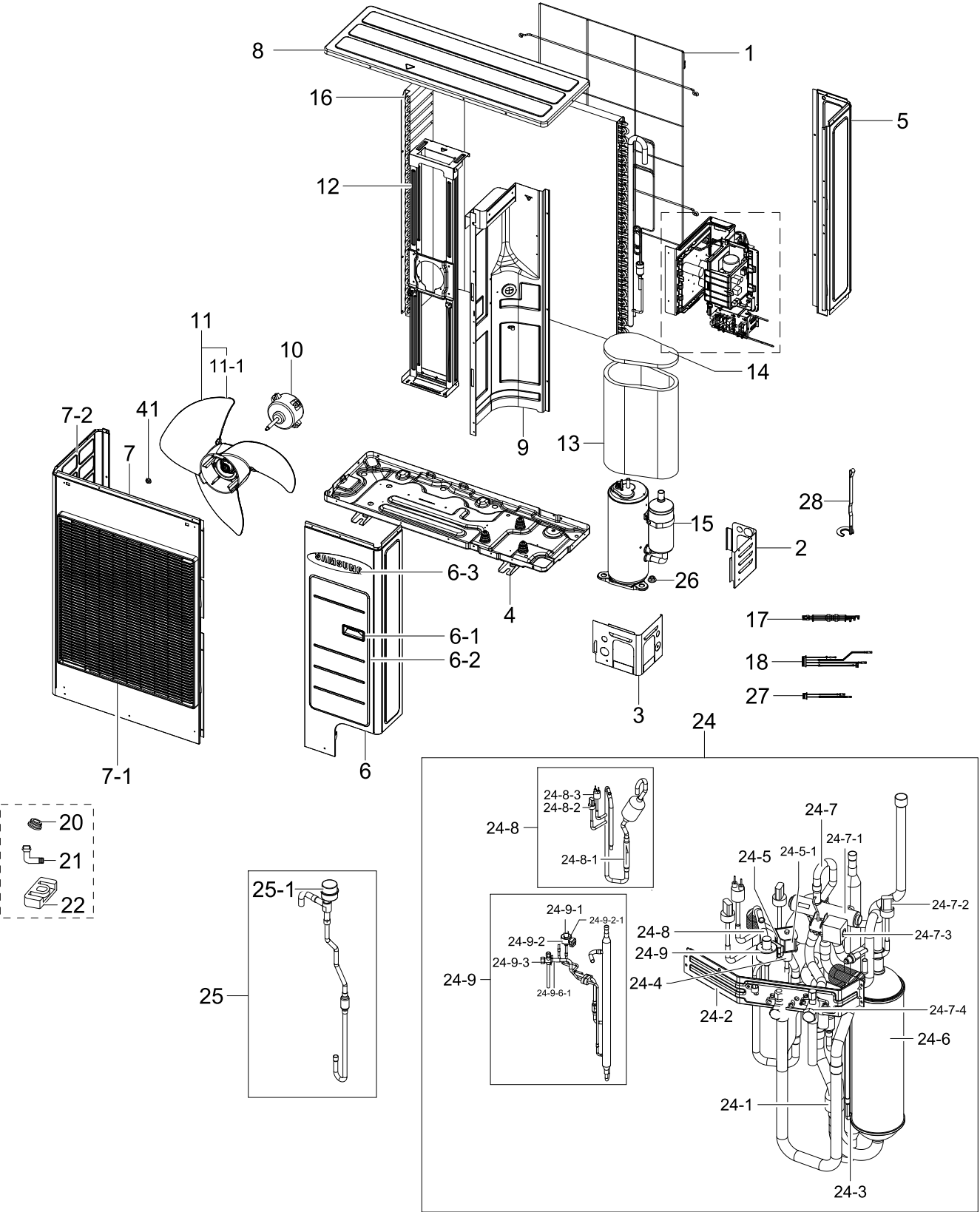


# 1. OUT DOOR

## Exploded View



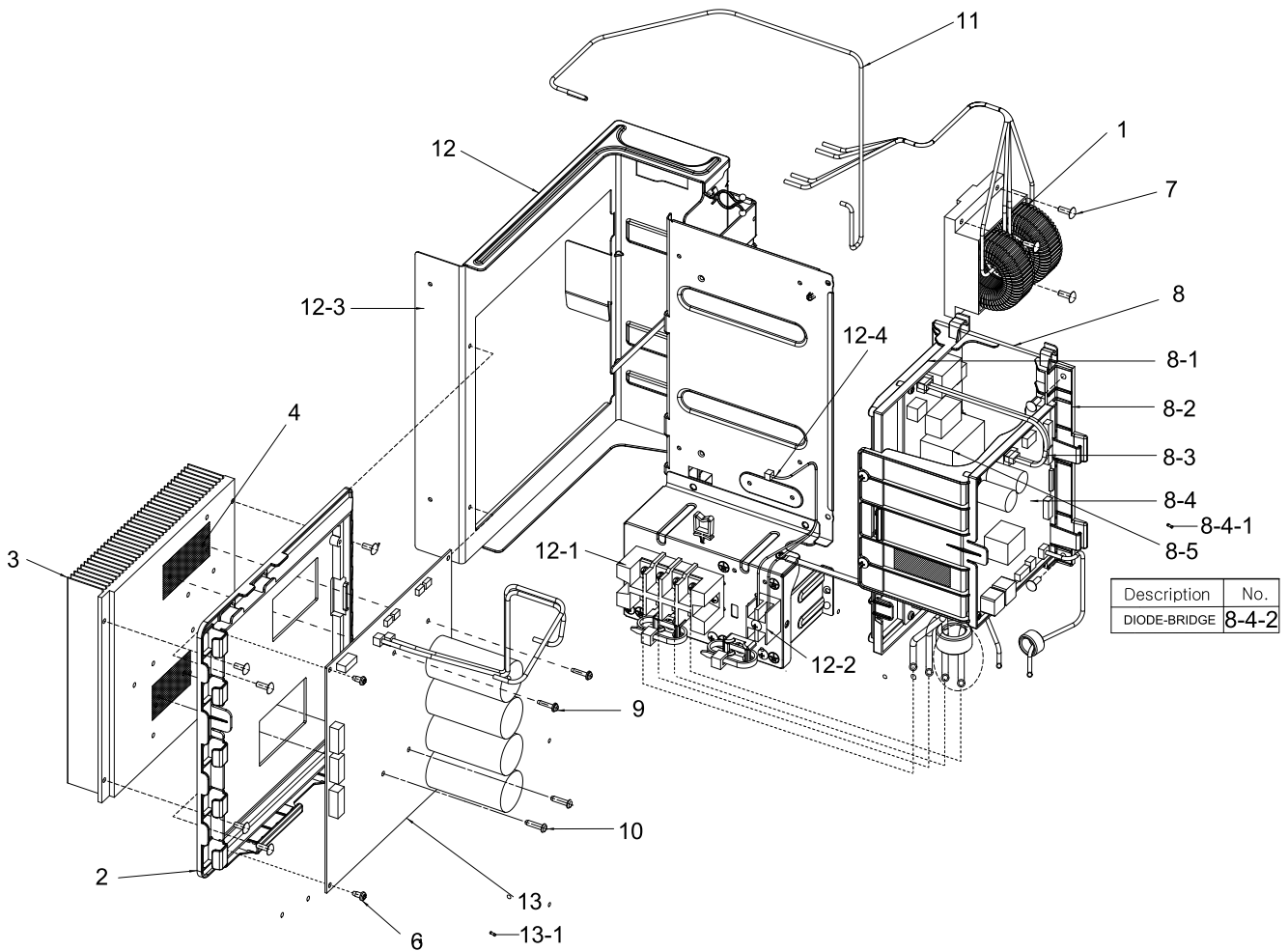
**Parts List**

No.	Lvl.	Loc.	Material Code	Description & Specification	SNA	Qty.
1	2		DB63-02730C	GUARD COND; RC100ZHXE,MSWR-SWRM,744.5,85	SA	1
2	2		DB64-02525C	CABINET-INSTALL BACK; RC160MHXE,EGI-SECC	SA	1
3	2		DB64-02526C	CABINET-INSTALL FRONT; RC100PHXE,EGI-SEC	SA	1
4	2	A0092	DB90-05873B	ASSY BASE OUT; MAN-U,SEAL-ADD	SA	1
5	2	A2609	DB90-05903C	ASSY CABI BACK-RH; RC100DHXGA,ManU	SA	1
6	2	A2608	DB90-05904D	ASSY CABI FRONT-RH; RC100DHXGA,ManU	SA	1
6-1	3		DB64-02613B	HANDLE; RC140PHXE,PP,T2.5,EARTH BROWN,HE	SA	1
6-2	3		DB63-03057C	FELT-CABI FRONT A; GLOBAL 4WAY CST,FELT,T	SNA	1
6-3	3	L0084	DB98-08770L	ASSY-LOGO SAMSUNG; HP,PANTONE286C,270,QUE	SA	1
7	2	A2620	DB90-05971C	ASSY CABI FRONT-LF; RC100DHXGA,ManU	SA	1
7-1	3		DB63-02728B	GUARD-FAN; RC140PHXE,PP,GY0180(EARTH BRO	SA	1
7-2	3		DB64-02536B	CABINET FRONT-LF; RC100ZHXE,EGI-SECC,T0.	SA	1
8	2	A0212	DB90-05902E	ASSY CABINET-TOP; RC090MHXE,EHS MONO	SA	1
9	2	A1748	DB94-02720D	ASSY PARTITION; RD040MHXB2,DVM MINI2	SNA	1
10	2	M0039	DB31-00579A	MOTOR FAN; DAO335130ZRC/SEC,130W,900RPM,D	SA	1
11	2		DB94-03277B	ASSY FAN-PROPELLER; MAN-U,520 PI, NATURAL	SC	1
11-1	3	F0010	DB67-01061B	FAN-PROPELLER; MAN-U,PP-GF20-PD20,OD520,3	SA	1
12	2	A2803	DB90-05918B	ASSY BRACKET MOTOR; RC100DHXE,R410A	SA	1
13	2		DB63-03060A	CLOTH-COMP SOUND; DVM MINI,FELT,11.5,700,	SNA	1
14	2		DB63-03061A	CLOTH-COMP TOP; DVM MINI,FELT,11.5,270,17	SNA	1
15	2		UG5T450FUEJXSG	RCP,55,F,R410A; RCP,55,F,R410A		1
16	2	A2501	DB96-15741A	ASSY COND OUT-BENDING; RD040MHXB2,HP	SA	1
17	2	A0630	DB93-08235E	ASSY CONNECTOR WIRE-COMP; RC100DHXE, UB1	SA	1
18	2		DB95-04871A	ASSY THERMISTOR OUT-SUB OUT; DVM MINI,MAI	SA	1
20	3	Z0165	DB63-10355C	CAP-DRAIN; RUBBER,T2,BLK,ASH-1814ER	SA	3
21	3	D0116	DB67-00806A	DRAIN-PLUG OUT; UH140GAV,PE,1,WHITE,INVER	SA	1

No.	Lvl.	Loc.	Material Code	Description & Specification	SNA	Qty.
22	3	Z0166	DB73-20134A	RUBBER-LEG; NBR,BLACK	SA	4
24	2		DB96-16238B	ASSY-TUBE VALVE; H/P,4HP,220V,R410A,ROTAR	SA	1
24-1	3		DB73-00168A	RUBBER-SUPPORT; RVSH040H2M1,NR,DVS,BLK	SA	1
24-2	3		DB90-05874B	ASSY BRACKET-VALVE; RC100PHXEA,ManU	SA	1
24-3	4	T0128	DB62-00626D	TUBE-FILTER; MUF-1111,C1220T-0,-,-,-,CD	SA	1
24-4	4	S0094	DB33-00069A	SOLENOID VALVE-BODY; -,FDF2A-265-RK,-,-,t	SA	1
24-5	4		DB95-04843A	ASSY-SOLENOIDE COIL; DVM MINI,4,5HP	SA	1
24-5-1	5	V0039	DB62-07589C	VALVE-COIL SOLENOID; .,AC220~240V,L=1100	SA	1
24-6	4	A0316	DB96-14716A	ASSY-ACCUMULATOR; RC100PHXEA,1600CC	SA	1
24-7	3	A2746	DB96-16229A	ASSY TUBE-4WAY VALVE; RD040MHXB2,HP	SA	1
24-7-1	4	V0010	DB62-02838A	VALVE-4WAY; UH105GZMC,.,3.5HP, COMMON	SA	1
24-7-2	4		DB95-01469T	ASSY-SENSOR LOW PRESSURE COIL; RD060MHXB2	SA	1
24-7-3	4	A2106	DB96-03205G	ASSY-SOLENOID COIL; RD040MHXB2,DVM MINI2	SA	1
24-7-4	4	A2040	DB96-15862B	ASSY-SERVICE VALVE; DVM mini2,3/8", K-ty	SA	1
24-8	3	A2757	DB96-16231A	ASSY TUBE DISCHARGE; RD040MHXB2,HP	SA	1
24-8-1	4	V0020	DB62-06190B	VALVE CHECK; .,1/2", 1-1 PASS	SA	1
24-8-2	4	A3145	DB95-01549N	ASSY-SENSOR HIGH PRESSURE COIL; RD050MHXH	SA	1
24-8-3	4	A2226	DB95-00500N	ASSY-SWITCH PRESSURE; RD050MHXH2,4,5HP	SA	1
24-9	3	A3149	DB96-16239A	ASSY TUBE-SUBCOOLER; RD040MHXB2,HP	SNA	1
24-9-1	4	V0001	DB62-04064A	VALVE EXPAN; SUS,500,1.3	SA	1
24-9-2	4	A0016	DB96-13204J	ASSY-VALVE EXPAN COIL; RD040MHXB2,DVM MIN	SA	1
24-9-2-1	5	V0001	DB62-04067A	VALVE-COIL EXPAN; .,1000,DC12V	SA	1
24-9-3	4	A2040	DB96-15862C	ASSY-SERVICE VALVE; DVM mini2,5/8", K-TY	SA	1
24-9-6-1	5		DB62-09659A	VALVE SERVICE; 3/8",C3771,K-TYPE/T-TYPE,4	SA	1
25	2		DB96-16235A	ASSY TUBE-EEV; RD040MHXB2,HP	SA	1
25-1	4	V0011	DB62-05606A	VALVE-GEAR EXPAN; BRASS,D6.4,2000	SA	1
26	2	S0018	DB60-30028A	NUT-FLANGE; HWH,M8,ZPC(WHT),SWRCH18A,P1.2	SA	3
27	2		DB95-04872A	ASSY THERMISTOR OUT-SUB OUT; DVM MINI,SUC	SA	1
28	2	S0242	DB81-00635A	SPRING ETC-SENSOR; DVM-SYSTEM,STS304,R2.5	SA	4
40	2		DB60-00405A	FASTENER-WASHER; RC100ZHXA,SWRCH10A,M8,2	SA	1

## 2. ASSY CONTROL OUT

### Exploded View



### Parts List

No.	Lvl.	Loc.	Material Code	Description & Specification	SNA	Qty.
1	3	Z0157	DB59-00016A	AC REACTOR-1PHASE 30A; RC100PHXEA	SA	1
2	3		DB61-04504B	CASE-INV; RC100ZHXE,ABS,235.5,247.3,NTR,	SA	1
3	3		DB62-10902A	HEAT SINK-1PHASE 30A; FJM,AL,10mm,200,200	SA	1
4	3		0205-000178	GREASE-SILICON; YG1111,BAIER(NTR)	SA	0
6	4	S0025	6002-000635	SCREW-TAPPING; PH,+,NO,2S,M4,L8,ZPC(WHT),	SNA	4
7	3	S0025	6002-000231	SCREW-TAPPING; TH,+,NO,2S,M4,L12,ZPC(WHT)	SNA	7

No.	Lvl.	Loc.	Material Code	Description & Specification	SNA	Qty.
8	3		DB90-06115G	ASSY CASE-PCB; RD050MHXH2,1 PHASE	SNA	1
8-1	4		DB61-04502D	CASE-EMI; RC090MHXEA,HIPS,115,254,NAT,NC0	SA	1
8-2	4		DB61-04503B	CASE-MAIN; GLOBAL 4W-CST,HIPS,142,191.8,N	SA	1
8-3	4	A0664	DB93-12364A	ASSY CONNECTOR WIRE-POWER; DVM MINI,EMI-M	SNA	1
8-4	4	A0743	DB93-12383A	ASSY PCB MAIN-OUT; DVM MINI2,MAIN PBA,N	SA	1
8-4-1	6	F0178	3601-000263	FUSE-CARTRIDGE; 250V,3.15A,TIME-LAG,GLASS	SNA	1
8-4-2	8	WE0066	0402-001298	DIODE-BRIDGE; DF06S,600V,1A,SMD-4,TP	SNA	1
8-5	4	A1781	DB93-11110D	ASSY PCB SUB-EMI; DVM MINI2,INVERTER PLAT	SA	1
9	3	A2876	DB91-00306A	ASSY-SCREW MACHINE; BLDC INV. CONTROLLER,	SA	2
10	3	A2876	DB91-00307A	ASSY-SCREW MACHINE; WW-INV,M4*16,WSP,PH,+	SA	2
11	3	Z0158	DB93-10807A	ASSY CONNECTOR WIRE-MAIN TO INVERTER COM; ASSY CONNECTOR WIRE-MAIN TO INVERTER COM	SA	1
12	3		DB93-10966G	ASSY CONTROL OUT-PLATE; HP,INV,R410a,RC16	SNA	1
12-1	3		DB65-00296B	TERMINAL BLOCK-POWER 4P; DVM MINI,PC,4-SC	SA	1
12-2	4	A2254	DB95-01058B	ASSY-TERMINAL BLOCK; MCU-KIT,300V,20A	SA	1
12-3	4		DB90-05889A	ASSY CASE CONTROL OUT; RC100PHXEA,ManU	SNA	1
12-4	4	A2934	DB93-10808C	ASSY CONNECTOR WIRE-COMM; FJM UB1, DVM MI	SNA	1
13	3	A2573	DB93-11112D	ASSY PCB MAIN-INVERTER; RC100DHXEA, RC100	SA	1
13-1	5	F0178	3601-000263	FUSE-CARTRIDGE; 250V,3.15A,TIME-LAG,GLASS	SNA	1