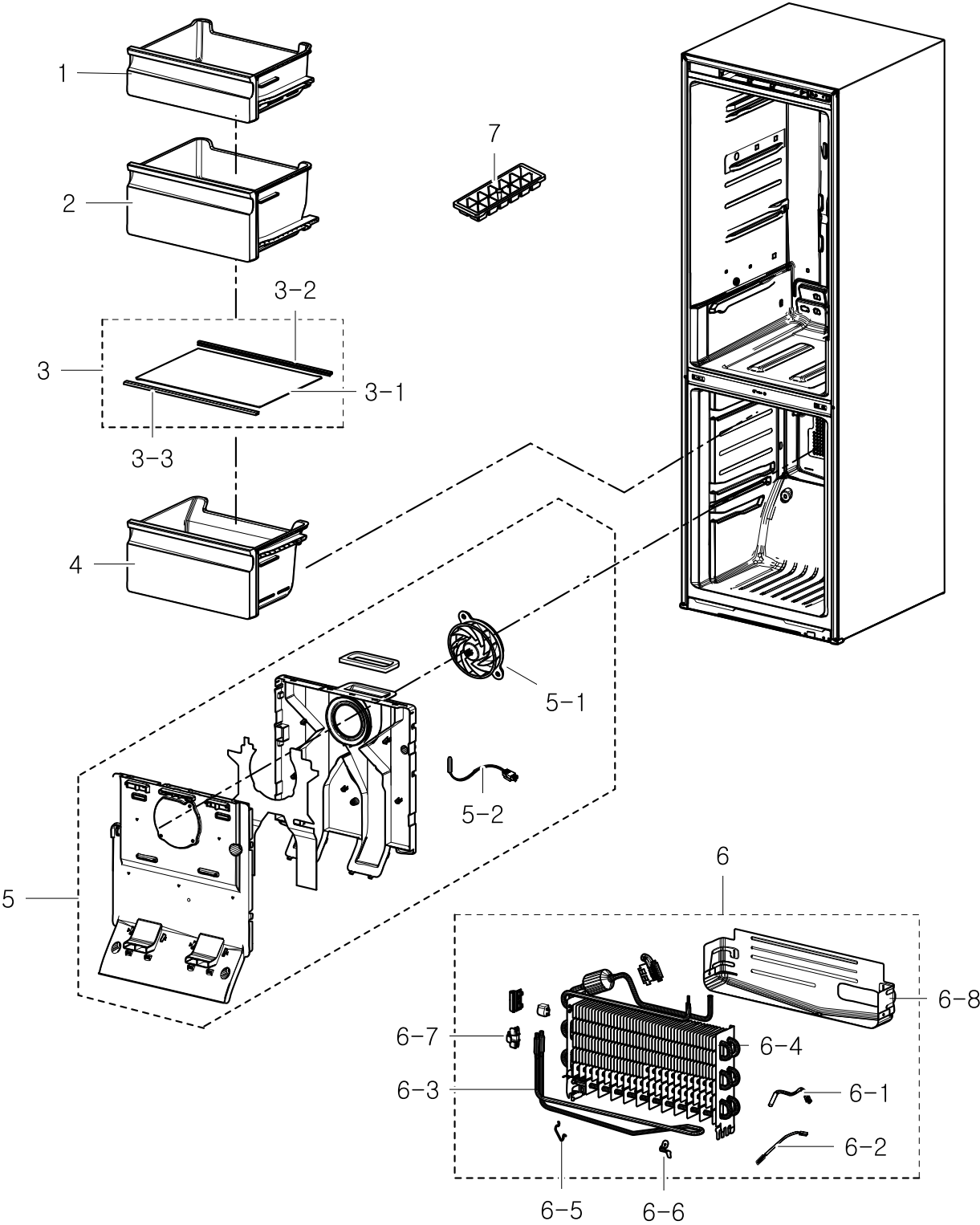


1. Freezer

Exploded View

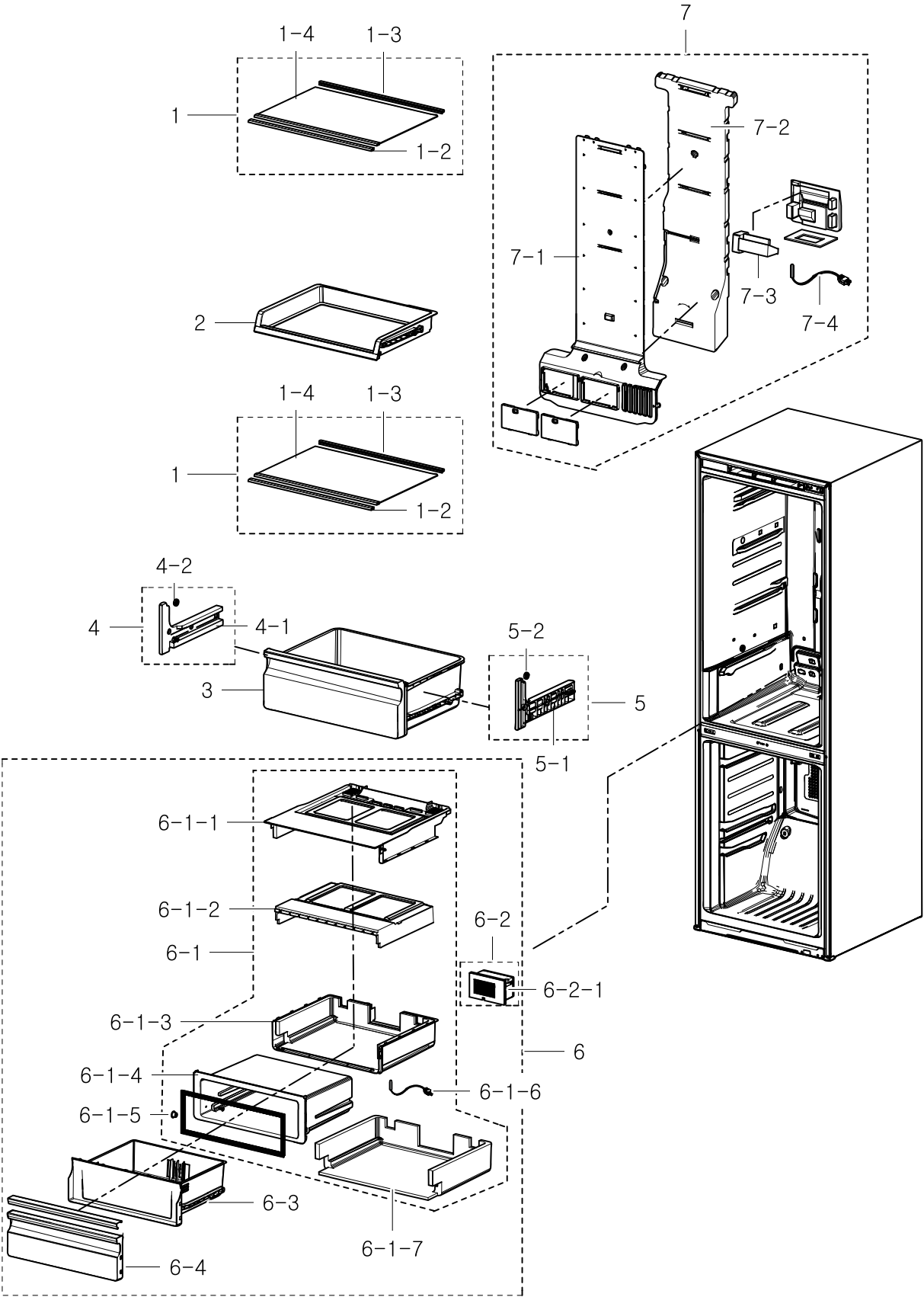


Parts List

No.	Lvl.	Loc.	Material Code	Description & Specification	SNA	Qty.
1	2	M0121	DA97-13480A	ASSY TRAY-FRE UPP; 3050,W479.1,L394.3	SA	1
2	2	G0268	DA97-13472A	ASSY TRAY-FRE MID; 3050,W466.2,H227.0	SA	1
3	2		DA97-15985A	ASSY SHELF GLASS-FRE; RL31/29,COOL WHITE	SA	1
3-1	3	A0720	DA67-03645N	GLASS-SHELF FRE; 3.2,RL310/290,TEMPERED G	SNA	1
3-2	3		DA64-04395D	TRIM SHELF-REAR FRE; RL31/29,HIPS,HIPS+SO	SNA	1
3-3	3		DA64-04392A	TRIM SHELF-FRONT; RT320,HIPS,S834S1,COOL	SNA	2
4	2	G0267	DA97-13475A	ASSY TRAY-FRE LOW; 3050,W466.2	SA	1
5	2	M0303	DA97-13570A	ASSY COVER EVAP-FRE; 3050,NATURAL	SA	1
5-1	3		DA31-00287B	MOTOR BLDC-FAN; ARES2120RA,18704%,12V,2	SA	1
5-2	3	A1018	DA32-10105X	SENSOR TEMP; PX-41C,QUEEN PJT,-10,5V,F-SE	SA	1
6	2	A0163	DA96-01009C	ASSY EVAP-FRE; 3050-BMF	SA	1
6-1	3	A0696	DA32-00006D	SENSOR TEMP-F DEF SENSOR; PX-41C,502AT-2,	SA	1
6-2	3	A1008	DA47-00301D	THERMO FUSE-ASSY; ARAM,250V,10A,109~110	SNA	1
6-3	3	A0921	DA47-00460A	HEATER METAL SHEATH; AC230V,3050-PJT RB31	SA	1
6-4	3	A0742	DA59-00555A	EVAP FRE; FIN TUBE,AL,3050-PJT	SNA	1
6-5	3		DA61-02526A	FIXER-EVAP FRE,SUB; NEXT,AL,2.0,-,-	SA	1
6-6	3	M9010	DA61-03644A	PLATE-EVAP HEATER; AW-PJT,AL,T0.7,-,-,-	SA	1
6-7	3	G0205	DA61-07410A	FIXER-HEATER FRE; NW2,PP,NTR,V0	SA	1
6-8	3	A0754	DA61-08936A	PLATE-DRAIN; 3050,GI-SGCC,-,T0.3	SA	1
7	2	A0582	DA67-40146B	TRAY-ICE; SR-1500,NTR,PE,-,-,-,-,-	SA	1

2. Refrigerator

Exploded View



Parts List

No.	Lvl.	Loc.	Material Code	Description & Specification	SNA	Qty.
1						
2						
			DA97-13502D	ASSY SHELF GLASS-REF; RL31/29,COOL WHITE	SA	
						2
						1-2
						3
			DA64-04392A	TRIM SHELF-FRONT; RT320,HIPS,S834S1,COOL	SNA	
						2
						1-3
						3
			DA64-04395A	TRIM SHELF-REAR; RT320,HIPS,S834S1,COOL W	SNA	
						2
						1-4
						3
			A0720			
			DA67-03645K	GLASS-SHELF REF; 3.2,RL310/290,TEMPERED G	SNA	
						2
						2
						2
			DA97-13616F	ASSY SHELF SLIDE; 3050(RL310)	SA	
						1
						3
						2
			A0730			
			DA97-13473A	ASSY CASE-VEG UPP; 3050,W479.2,L356.1	SA	
						1
						4
						2
			M0110			
			DA97-13599A	ASSY RAIL-VEG L; 3050_BMF	SA	

1
4-1
3

DA61-09032A
RAIL-VEG L; 3050 LMF,HIPS,COOL-WHITE
SNA

1
4-2
3

DA66-10104A
ROLLER-FRE; POM,-,-,D22,-,-,
SC

1
5
2
M0111

DA97-13598A
ASSY RAIL-VEG R; 3050_BMF
SA

1
5-1
3

DA61-09037A
RAIL-VEG R; 3050 LMF,HIPS,COOL-WHITE
SNA

1
5-2
3

DA66-10104A
ROLLER-FRE; POM,-,-,D22,-,-,
SC

1
6
2

DA97-13533B
ASSY CONVERTIBLE; 3050,NO HOT STAMPING
SA

1
6-1
3

M0403
DA97-13466B
ASSY CASE CONVERTIBLE; 3050_BMF,NO HOT ST
SA

1
6-1-1
5

G0246
DA61-09036A
CASE-CONVERTIBLE C; 3050(BMF),HIPS,COOL W

SA
1
6-1-2

4
G0248
DA62-04088A
INSULATION-CONV HIGH; 3050(BMF),FOAM-PS,T
SA
1
6-1-3
4
G0245
DA61-09035A
CASE-CONVERTIBLE B; 3050(BMF),PP,NATURAL,
SA
1
6-1-4
4
G0244
DA61-09034A
CASE CONVERTIBLE-A; 3050,PP,COOL WHITE,HB
SA
1
6-1-5
4
G0249
DA66-00151A
ROLLER-FRONT; A-TOP,POM,16,-,WHT,-,CONV
SA
2
6-1-6
4
A1018
DA32-00011X
SENSOR TEMP; PX-41C/502AT,MT-PJT,-40~110
SA
1
6-1-7
4
G0247
DA62-04089A
INSULATION-CONV LOW; 3050(BMF),FOAM-PS,T9
SA
1
6-2
3

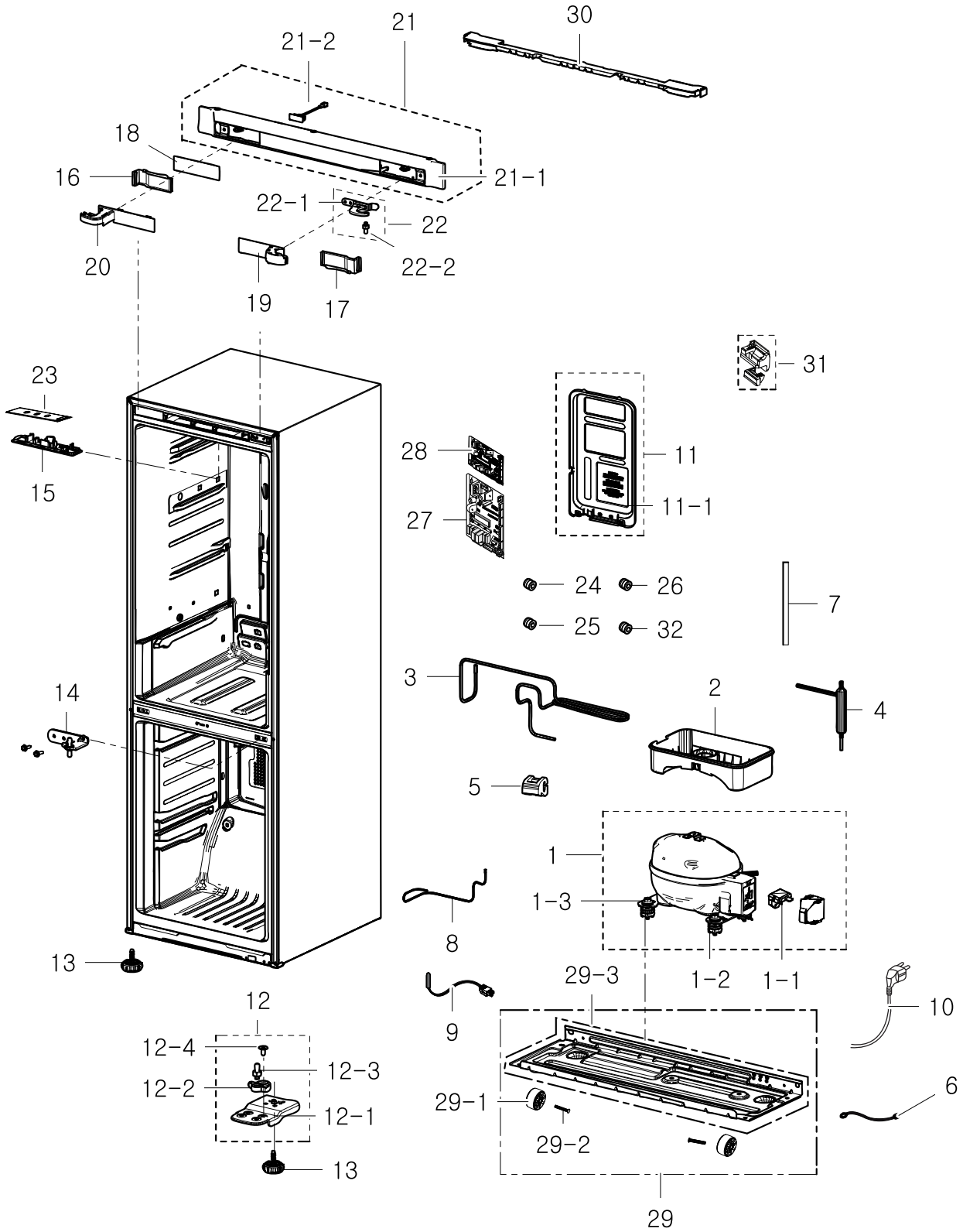
DA97-04106D
ASSY DAMPER-CONVERTIBLE; CORE-PJT(PRIIMIUM
SNA
1
6-2-1
4
G0242
DA31-00071D
MOTOR DC-DAMPER; DC 12V,MAX 60mA
SA
1
6-3
4
G0078

DA63-07429A
TRAY CONVERTIBLE; 3050,GPPS,TP BLUE,HB,16
SA
1
6-4
5
G0084
DA63-07430A
COVER TRAY-CONVERTIBLE; 3050,GPPS,HB,TP B
SNA
1
7
2
G0239
DA97-13571A
ASSY COVER MULTI-REF; 3050_BMF,COOL WHITE
SA
1
7-1
3
A0689
DA63-07426A
COVER-MULTI REF; 3050_BMF,PP,COOL WHITE,B
SNA
1
7-2
3

DA62-04077A
INSULATION-MULTI REF A; 3050_BMF,FOAM-PS,
SNA
1
7-3
3
G0242
DA31-00043F
MOTOR DC-DAMPER; -,CORE-PJT,Max 60mA,-,-,
SA
1
7-4
3
Z2169
DA32-00006N
SENSOR TEMP-ASSY; PX41C/502AT,TGV,-40~110
SC
1

3. cabinet

Exploded View



Parts List

No.	Lvl.	Loc.	Material Code	Description & Specification	SNA	Qty.
1						
2						
			MSV488AL1R/TT1	COMPRESSOR,BLDC IPM,8.82CC,115/220V,STAI; COMPRESSOR,BLDC IPM,8.82CC,115/220V,STAI		
1						
1-1						
3			A0575	DA34-00004B	RELAY PROTECTOR O/L; BK190GL2C,S/T_11.4A,	
					SNA	
1						
1-2						
3						
			Z1112	DA63-02617A	GROMMET COMP; USP05,EPDM,OD27.0,BLACK	
					SNA	
4						
1-3						
3						
			A0564	DA60-20008A	BOLT-HEX; SWCH45K,WHITE,ZPC	
					SNA	
4						
2						
2						
			A0749	DA97-13658A	ASSY TRAY-DRAIN WATER; 3050_LMF(RB29/31),	
					SA	
1						
3						
2						
			DA97-13649A	ASSY PIPE IMMERSING; 3050_LMF,RL29,31		
					SNA	
1						
4						
2						
			A0669	DA62-04309C	DRYER; C1220T,6g,L118,Outlet ID2.0	
					SA	
1						
5						

2

DA63-07475A
GROMMET-IMMERSION PIPE D; 3050_LMF,NBR,20
SA

1

6

2

A0562

DA39-20389A
WIRE HARNESS-EARTH; Green/Yellow,ST710489
SA

1

7

2

M0203

DA62-02982C
PIPE-CONNECT DISC A; C1220T-1/2H,OD6.35,L
SA

1

8

2

M0016

DA62-03095A
PIPE-CONNECT SUCTION; GRANDCRU,CU,NATURAL
SA

1

9

2

A1018

DA32-10105F
SENSOR TEMP; 502AT,ACE,-10~35,5V,5KOHM,90
SA

1

10

2

A0273

3903-000793
CBF-POWER CORD; AT,EUROPE,UCP-2,250V/16A,
SA

1

11

2

M0306

DA97-13562A
ASSY COVER-PCB PANEL; 290, 310,GI,3050
SA

1

11-1

3

DA63-07420A

COVER-PCB PANEL; BMF,GI-SGCC,T0.5,3050
SA

1

12

2

A0515

DA63-07420A

COVER-PCB PANEL; BMF,GI-SGCC,T0.5,3050
SA

1

12

2

A0515

DA97-13557B
ASSY HINGE LOW; 3050(BMF)
SA
1
12-1
3
A0247
DA61-08990A
HINGE-LOW; 3050PJ,PO-SPHC,T3.0,LMF
SA
1
12-2
3
A0516
DA61-08991B
GUIDE-AUTO CLOSE; 3050PJ,PA66,HB,HG-0760G
SA
1
12-3
3
A0518
DA66-00385A
SHAFT-HINGE; CORE,SWCH10A,-,OD6,-,ZPC3(
SA
1
12-4
3
A0848
DA81-01532A
SCREW-MACHINE; CH,+,M5,L12,ZPC2(WHT),SWRC
SA
1
13
2
G0201
DA61-07546A
LEG; GRAND CRU-PJT,PP,NTR,BOLT:M8,50.5mm
SA
2
14
2
A0513
DA97-13564A
ASSY HINGE MID; 3050_BMF
SA
1
15
2
A0490
DA63-07368A
COVER-LAMP; 3050,GPPS,T2.0,TRANSFANRENCY
SA
1
16
2

DA67-03647A
CAP SPACE-DOOR R; 3050,ABS,HB,HG-0760GP,I

SA
1
17
2

DA67-03636A
CAP SPACE-DOOR L; 3050,ABS,HB,HG-0760GP,I
SA
1
18
2

DA61-08932A
CAP CONTROL-PANEL; 3050,ABS,HB,HG-0760GP,
SA
1
19
2

G0213
DA63-07384A
COVER WIRE-HINGE R; 3050,ABS,HB,INOX GRAY
SA
1
20
2

G0214
DA63-07385A
COVER WIRE-HINGE L; 3050,ABS,HB,INOX GRAY
SA
1
21
2

G0022
DA97-13615A
ASSY COVER CONTROL-PANEL; 3050PJT,ASSY,IN
SA
1
21-1
3

A0506
DA63-07353A
COVER CONTROL-PANEL; 3050,ABS,HB,INOX GRA
SA
1
21-2
3

G0068
DA34-00043A
SWITCH REED-ASS"Y; 200VDC,1.5,-
SA
1
22
2

A0705
DA97-13567A
ASSY HINGE UPP; 3050_BMF
SA
1

22-1
3
A0510
DA97-13566A
ASSY HINGE UPP-SUB; 3050_BMF
SA
1
22-2
3
A0518
DA66-00385A
SHAFT-HINGE; CORE,SWCH10A,-,OD6,-,-,ZPC3(
SA
1
23
2
G0090
DA41-00519R
ASSY LAMP LED; 3,CEM-1,65*10,WHITE,SMAW25
SA
1
24
2

DA60-00279A
FITTING-LOKRING 16; GRAND/SAM/HERMES,11SM
SA
1
25
2

DA60-00280A
FITTING-LOKRING 33; GRAND/SAM/HERMES,11SM
SA
1
26
2

DA60-00281A
FITTING-LOKRING 43; GRAND/SAM/HERMES,11SM
SA
1
27
1
A0952
DA92-00462D
ASSY PCB MAIN; 3050 BMF,220V,regulation,I
SA
1
28
1
M0309
DA92-00459A
ASSY PCB INVERTER; LC 4_3050,15V,5V,220~2
SA
1
29
2

A0526
DA97-14151A
ASSY CHASSIS COMP; 3050-PJT,GI-SGCC, T0.8
SA

1
29-1
3

A0527
DA61-06202A
CASTER-REAR; GRAND-CRU,PP,NATURAL
SA

2
29-2
3

DA60-90146A
PIN-CASTER; SR-289-429,MSWR10,OD6.0,L38,Z
SA

2
29-3
3

A0526
DA97-13454A
ASSY CHASSIS COMP; 3050-PJT,T0.8,RB31
SA

1
30
2

G0215
DA63-07383A
COVER-WIRE DOOR; 3050,BMF,ABS,INOX GRAY
SA

1
31
3

DA97-13565A
ASSY INS PARTITION; 3050_BMF
SNA

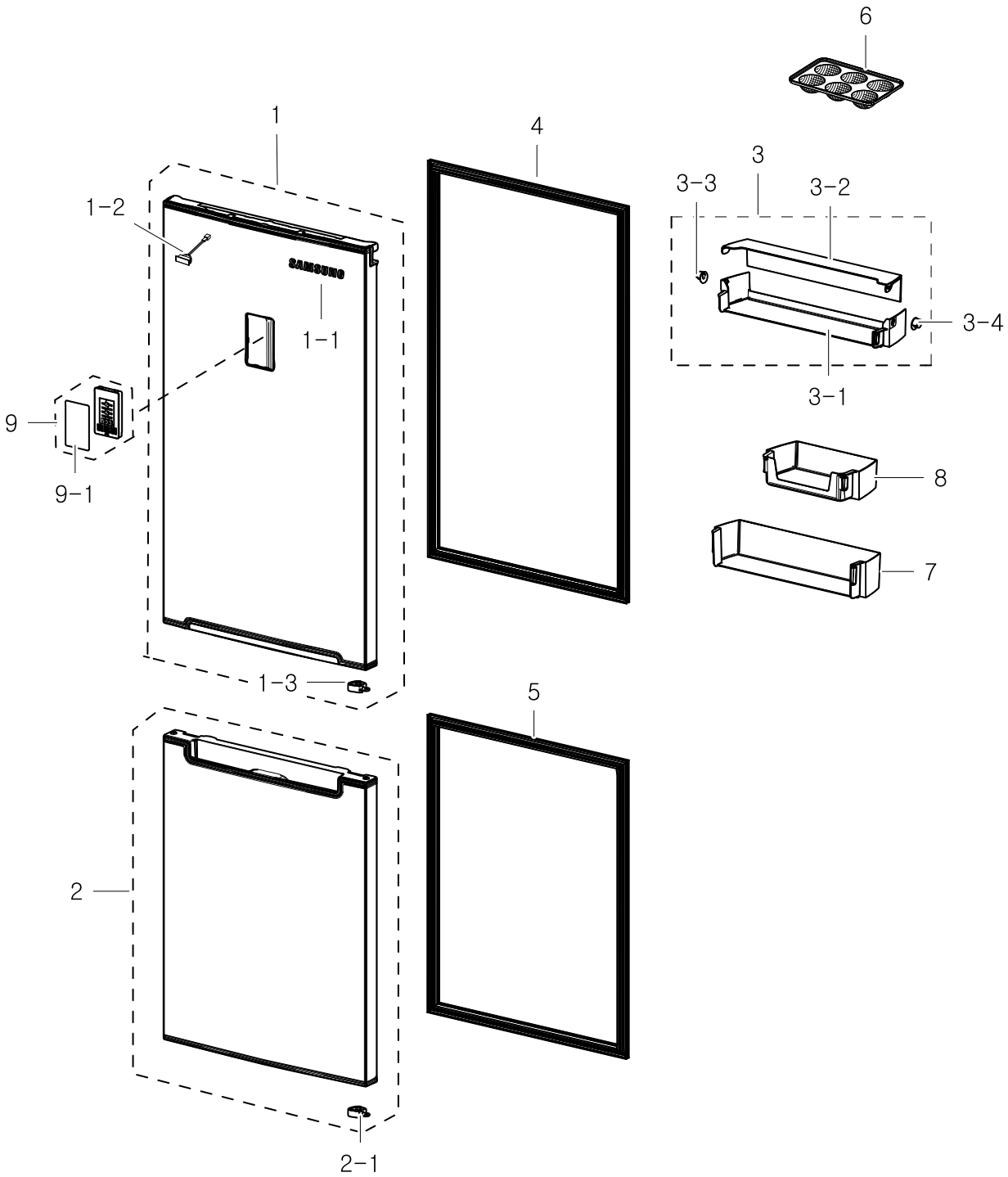
1
32
2

DA60-00317A
FITTING-LOKRING 24; 11SMnPb30k,24
SA

1
1

4. Door

Exploded View



Parts List

No.	Lvl.	Loc.	Material Code	Description & Specification	SNA	Qty.
1	2	A0052	DA91-03976D	ASSY DOOR FOAM REF; 290,BETTER,METAL GRAP	SA	1
1-1	3	M0196	DA64-04020C	MASCOT; ALL,NI,T0.05,L80	SA	1
1-2	5		DA34-00043J	SWITCH REED; 200VDC,0.5A,3050	SA	1
1-3	5		DA66-01011B	LEVER-AUTO CLOSE; 3050PJ,POM,EBONY BLACK,	SA	1
2	2	A0051	DA91-03975L	ASSY DOOR FOAM FRE; 290,BETTER,METAL GRAP	SA	1
2-1	5		DA66-01011B	LEVER-AUTO CLOSE; 3050PJ,POM,EBONY BLACK,	SA	1
3	2	A0636	DA97-15689A	ASSY GUARD DAIRY; 3050_BMF,ASSY	SA	1
3-1	3		DA63-07404A	GUARD-DAIRY CASE; 3050,GPPS,TP BLUE,HB,16	SA	1
3-2	3		DA63-07405A	GUARD-DAIRY COVER; 3050,GPPS,TP BLUE,HB,1	SA	1
3-3	3		DA67-02920A	CAP-HINGE DAIRY R; HERMES,POM,NTR	SA	1
3-4	3		DA67-02921A	CAP-HINGE DAIRY L; HERMES,POM,NTR	SA	1
4	2		DA97-12306G	ASSY GASKET-REF; RB29,GRAY,W539.5,L880	SA	1
5	2		DA97-12398K	ASSY GASKET-FRE; 3050_BMF,RB29, RB31,GRAY	SA	1
6	2	A0656	DA63-07346A	TRAY EGG; 3050,GPPS,TP BLUE,165N,HI-IMPAC	SA	1
7	2	A0151	DA63-08118A	GUARD BOTTLE; 3050,GPPS,3,TP BLUE,HB,165N	SA	1
8	2	A0153	DA63-08117A	GUARD VARIETY; 3050,GPPS,3,TP BLUE,HB,165	SA	2
9	2	A0626	DA97-13300L	ASSY COVER CONTROL; 3050PJT,ASSY,Ebony BI	SA	1
9-1	3		DA64-04377C	INLAY CONTROL; 3050PJT BMF,PC,T0.38,BLACK	SA	1