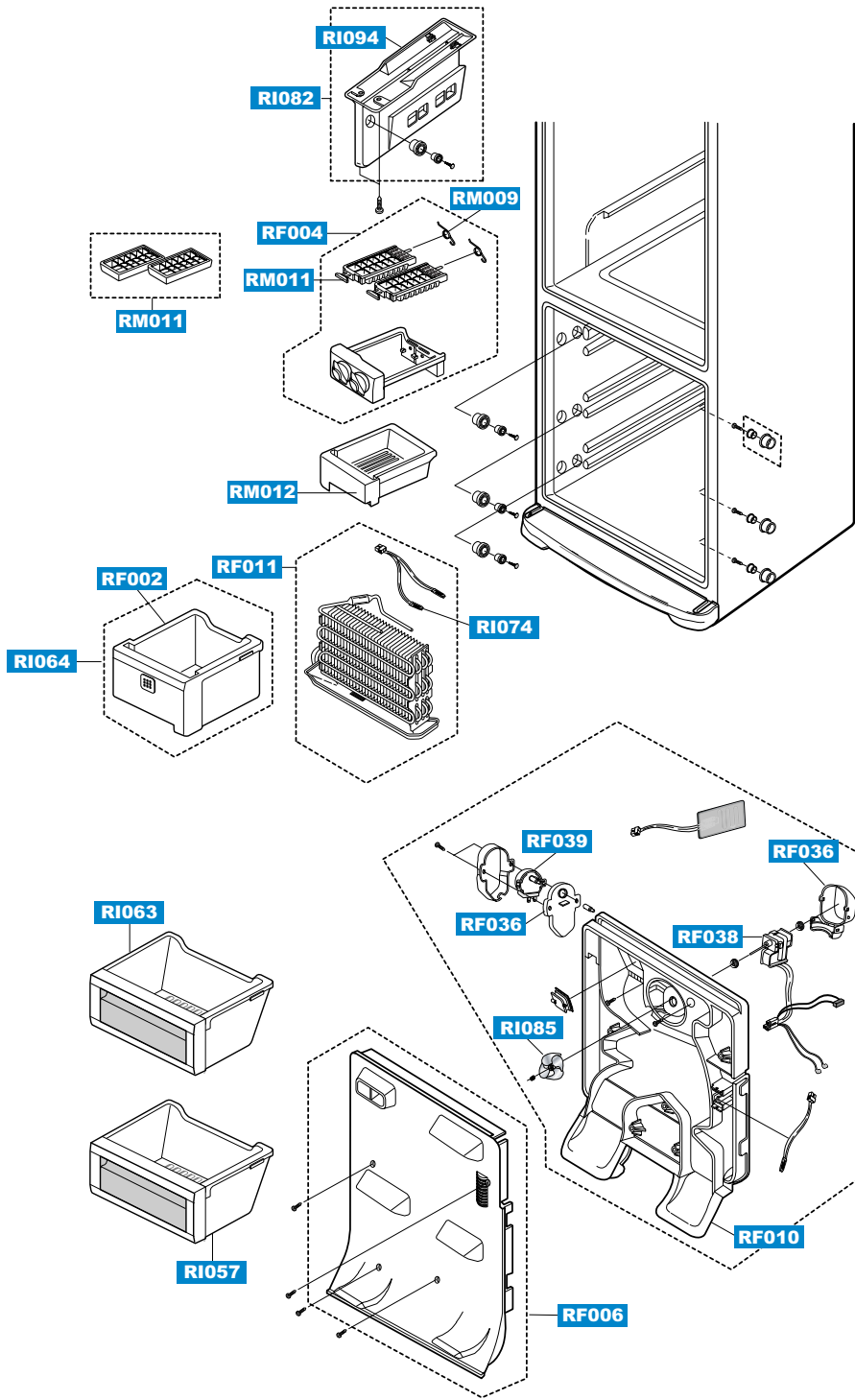
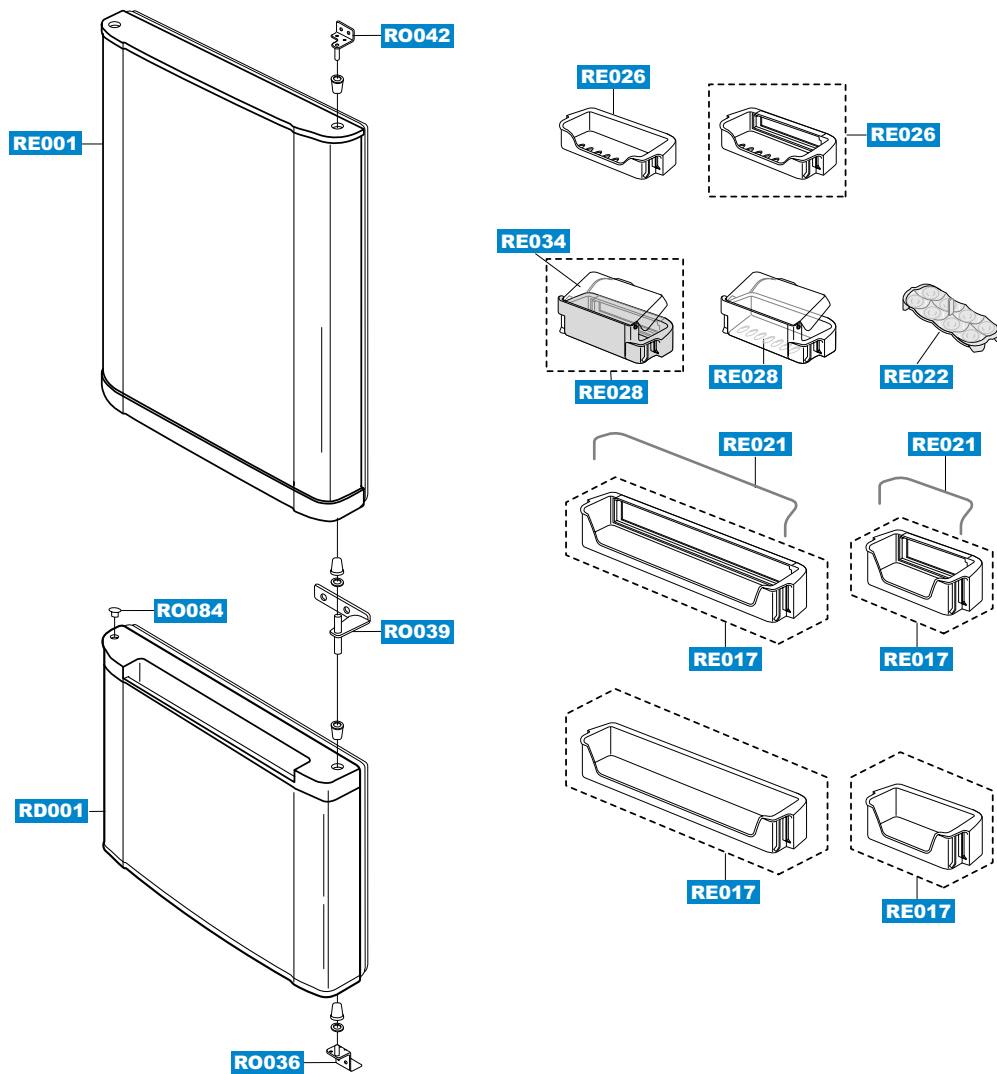


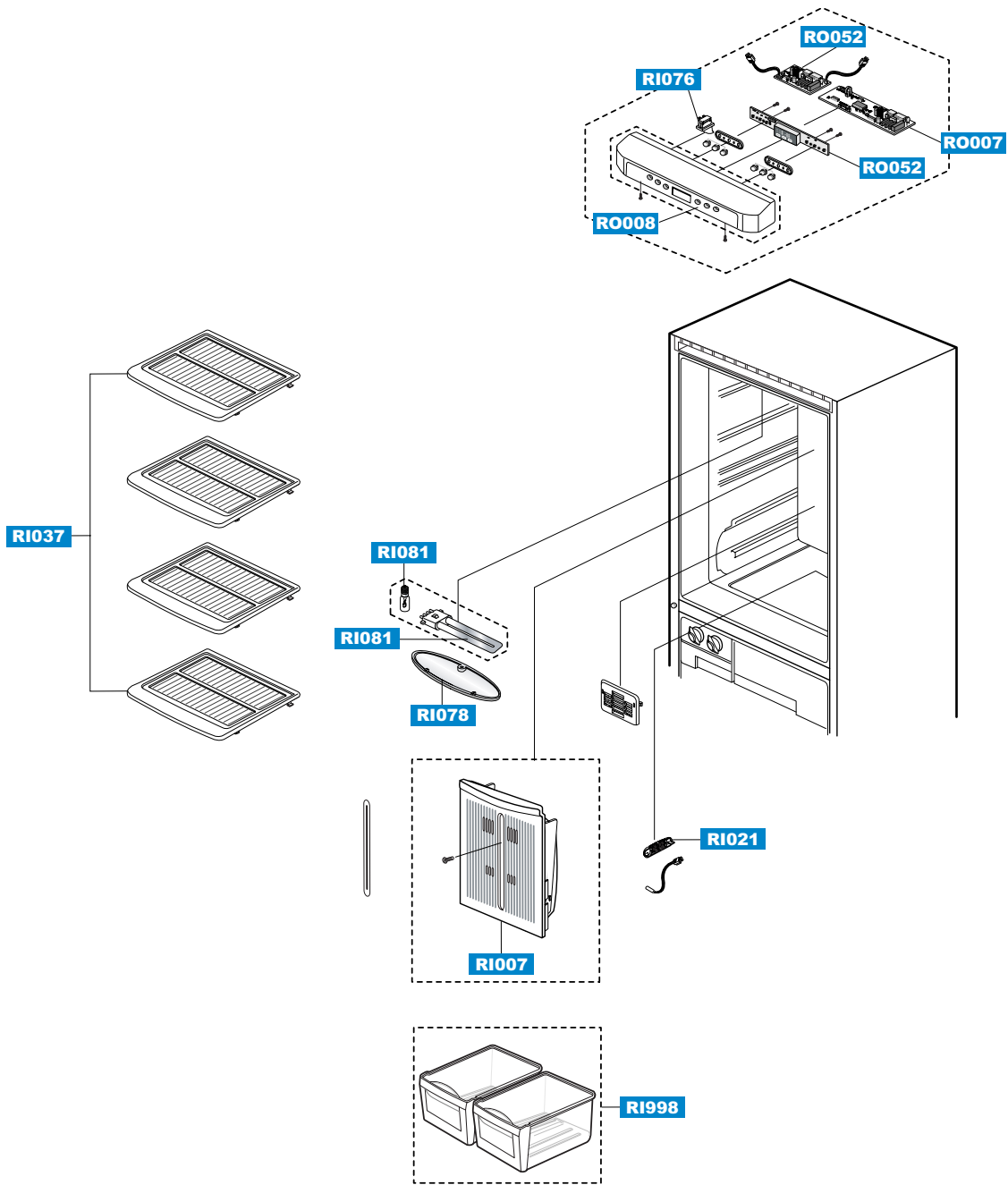
New-Combi Freezer Room (RL36E, RL39E, RL36S, RL39S)



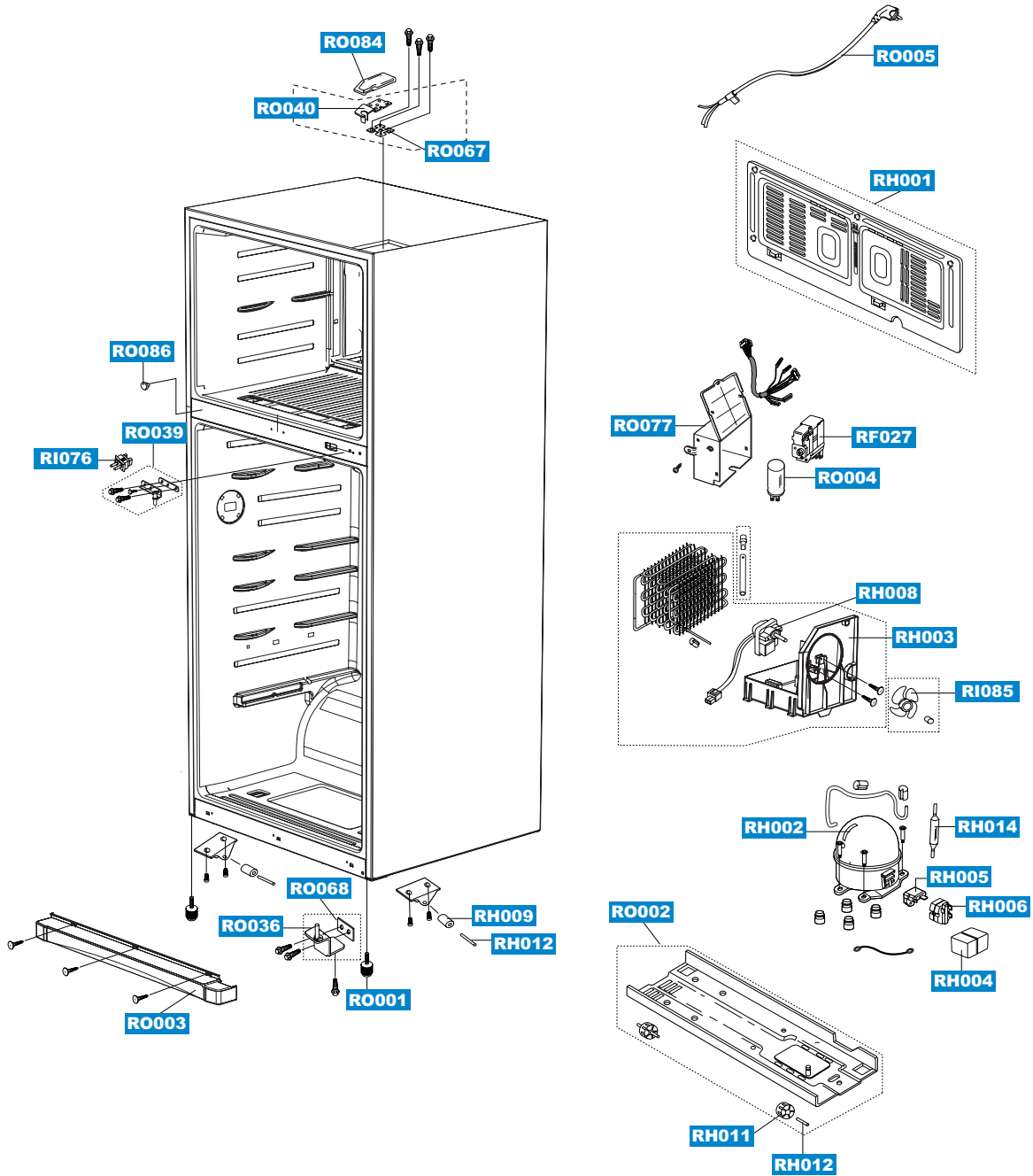
New-Combi Door (RL36E, RL39E, RL36S, RL39S)



New-Combi Refrigerator Room (RL36E, RL39E, RL36S, RL39S)



TD-PJT Mechanical Unit (RT62M,RT58M,RT53M,RT49M)



◇Part List

(Model Code : RL36SBSW1/DOR)

Location	Part Code	Part Name	Specification	SA/SNA
RD001	DA91-01722K	ASSY DOOR FOAM FRE	RL36,THAI SILVER,-,-	SA
RD010	DA63-00329A	COVER-DISPLAY	SR-32,35,GPPS,-,-,-,-,SE	SA
RE001	DA91-01723H	ASSY DOOR FOAM REF	RL36,SC-01627T,-,-,PE	SA
RE017	DA63-01728A	GUARD BOTTLE	COMBI-PJT,GPPS(HF-2660),-,-	SA
RE025	DA63-01725A	GUARD-DAIRY	COMBI-PJT,GPPS(HF-2660),-,-	SA
RE026	DA63-01724A	GUARD VARIETY	COMBI-PJT,GPPS(HF-2660),-	SA
RE028	DA97-01408A	ASSY GUARD-DAIRY	COMBI-PJT,-,-,-,-,-,ECO	SA
RE034	DA63-01736A	COVER-DAIRY	COMBI-PJT,GPPS,-,-,-,-,-,H	SA
RF001	DA63-01714A	TRAY FRE-LOW	COMBI-PJT,GPPS,-,-,-,-,-,EC	SA
RF006	DA63-00395F	COVER EVAP-FRONT,ASSY	SR-32,35,PP,T2.0,-	SA
RF006	DA63-00238B	COVER EVAP-FRONT	SR-32,35,PP,T2.0,-,-,-,-	SA
RF009	DA63-01712A	TRAY FRE-MID	COMBI-PJT,GPPS,-,-,-,-,-,EC	SA
RF010	DA63-00396R	COVER EVAP-REAR,ASSY	SR-L35,32,PP,T1.5,-	SA
RF011	DA96-00024E	ASSY EVAP	COMBI-PJT,-,-,-,-,240V/310W,-,-	SA
RF026	DA70-00223B	PLATE-DRAIN SUB	SR-32,35,SAZCC,T0.4,-,-	SA
RF036	DA61-00117A	CASE-G-MOTOR	SR-32,35,PP,-,-,-,-,NTR,-	SA
RF036	DA61-00081A	CASE-MOTOR	SR-32,35,PP,-,-,-,-,NTR,-	SA
RF038	DA31-00002P	MOTOR FAN	IS3210-SNL5C,COMBI,62,50,240,1	SA
RF039	DA31-10107C	MOTOR GEARD	M2LA49Z,SR-41~5184,20,50/60H	SA
RH001	DA97-03985A	ASSY COVER-COMP	COMBI,SBHG1,T0.3,W310,L3	SA
RH001	DA63-00397B	COVER COMP	COMBI,SBHG1,T0.3,310,300,-,-	SA
RH002	MD4A1QL1U/E01	COMPRESSOR	10.9 220/230/50Hz	SA
RH003	DA97-01782C	ASSY TRAY-DRAIN WATER	COMBI-PJT,T0.5,W13	SA
RH003	DA63-01933C	TRAY DRAIN-WATER	COMBI,SCP2,T 0.5,-,-,-,-	SA
RH004	DA63-01363A	COVER RELAY	-,URENE UWF-02F01,T2.0,50,62	SA
RH005	DA34-10004A	RELAY PROTECTOR O/L	4TM189PHBYY-53,-,-,-,-	SA
RH006	DA35-10013B	RELAY-PTC	J531Q35E330M385-2,385V.6A	SA
RH009	DA61-40115B	CASTER-FRONT	SR-50,PP,-,-,-,-,-	SA
RH012	DA60-90124A	RIVET	-,MSWR10,OD6.0,-,-,L56,-,-,-	SA
RH014	DA73-30102F	DRYER-ASSY	A-TOP,CU,φ18.85,-,-,L107,-,-	SA
RH026	DA73-10190U	PIPE-CONNECT DISC,B	TD-PJT,C1220-T,-,-,6.3	SA
RH033	DA63-40171B	GROMMET-SUCT PIPE A	-,NBR,OD20,ID4,L20,-	SA
RH034	DA63-40171D	GROMMET-SUCT PIPE B	RAIL L19.5,NR,-,-,OD20	SA
RI007	DA97-01389C	ASSY COVER DAMPER-REF	COMBI-PJT,PP,-,-,-,-	SA
RI007	DA63-03194A	COVER DAMPER-REF	COMBI-PJT,PP,T2.0,W245,	SA
RI021	DA63-10467B	COVER-SENSOR	COMBI-PJT,HIPS,-,-,-,-,SC-027	SA
RI037	DA97-04268A	ASSY SHELF-REF	COMBI-PJT,COOL WHITE	SA
RI057	DA97-01457B	ASSY TRAY-FREE LOW	COMBI-PJT,-,-,-,-,SC-02	SA
RI063	DA97-01456B	ASSY TRAY-FREE MID	COMBI-PJT,-,-,-,-,SC-02	SA
RI074	DA47-10148D	THERMO FUSE-ASSY	250V,10A,-,-,-,-,-,T-PJT,	SA
RI074	DA47-00095H	THERMO FUSE-ASSY	OMEGA,M-PJT,-,-,250V,-,-,70	SA
RI076	DA34-00015C	SWITCH DOOR	-, 'B'접점,NY6,-,-,250V,-,-,0.24A	SA
RI078	DA63-00235A	COVER-LAMP REF	SR-32,35,PP,-,-,-,-,-,-	SA
RI079	DA64-01909A	TRIM SHELF-REF	COMBI-PJT,PP,-,-,-,-,WHITE,	SA
RI081	4713-001140	LAMP-INCANDESCENT	240V,-,-,25W,BLU,-,-,-,25x	SA
RI085	DA31-00019A	FAN-PROPELLER	-,SR-32,35,NTR,-,-,-,-,-	SA
RI998	DA61-01314A	CASE-VEGETABLE	COMBI-PJT,GPPS,-,-,-,-,ECON	SA
RM011	DA67-40146B	TRAY-ICE	SR-1500,NTR,PE,-,-,-,-,-,-	SA
RO001	DA61-00805B	FOOT-FRONT	COMBI,PP,-,-,SC-93437R,-,-,-	SA
RO001	DA61-00805A	FOOT-FRONT	REF-ALL,PP,PI44,NTR,H65.8,-,-,B	SA
RO002	DA97-00726B	ASSY-CHASSIS COMP	COMBI,L585,R211,T1.0,-	SA
RO002	DA71-00101C	CHASSIS COMP	COMBI,SBHG1,T1.0,W211,L585,	SA
RO003	DA97-01431C	ASSY COVER LEG FRONT	COMBI-PJT,PP(BJ-730	SA
RO003	DA63-01733C	COVER LEG-FRONT	COMBI-PJT,PP,-,-,-,-,SC-01	SA
RO004	2501-001186	C-OIL	5UF,350V,BK,43X55MM,15	SA

◇Part List

(Model Code : RL36SBSW1/DOR)

Location	Part Code	Part Name	Specification	SA/SNA
RO005	DA39-10115D	CBF-POWER CORD	UCP-2,250V,10/16A,L2100,-	SA
RO007	DA41-00042C	PBA MAIN	COMBI SEMI ,CABINET,FR-1,248*5	SA
RO008	DA63-01754F	COVER TOP-TABLE	COMBI-PJT,ABS(VT-0823),-	SA
RO011	DA97-01390J	ASSY HANDLE FRE	COMBI PJT,ABS,-,-,-,SC	SA
RO036	DA61-00072B	HINGE-LOWER	COMBI,SHP1,T4.0,-,-,-,전착	SA
RO037	DA97-04223A	ASSY HINGE LOW-L	ASSY,-,W65.8,L49,-,-,-	SA
RO039	DA61-01568B	HINGE-MID	COMBI-PJT,SHP1,T4,-,-,-,-	SA
RO041	DA61-00075B	HINGE-UPPER-L	COMBI,SHP1,T2.7,-,-,-,전	SA
RO041	DA61-00074B	HINGE-UPPER-R	COMBI,SHP1,T2.7,-,-,-,전	SA
RO042	DA97-04120A	ASSY HINGE UPP-R	COMBI,T2.7,-,-,-,전착	SA
RO052	DA41-00043A	PBA PANEL	COMBI SEMI ,CAP DOOR,FR-1,1.6*	SA
RO052	DA41-00081A	PBA PANEL-ASSY	COMBI,TOP-TABLE,FR-1,L191	SA
RO066	DA26-00003A	TRANS-DC	240V,50/60,17V,0.2A,COMBI,-,-,	SA
RO077	DA61-00089B	CASE-JUNCTION	SR-32,35,PP,-,-,-,NTR,-	SA
RO083	DA67-00195A	CAP-HINGE HOLE-MID	SR-32,35,PP,-,-,-,-	SA
RO085	DA67-00197G	CAP-HINGE HOLE,LOW	COMBI-PJT,PP,-,-,-,TH	SA
RO086	DA67-30266K	CAP-SCREW	A-TOP,PP,SC-02740R,-,-,Cool-wh	SA
RO086	DA67-00322G	CAP-SCREW	EXP,PP,-,-,-,SC-01649R,-	SA
RQ565	DA63-02017A	GROMMET-COMP	QUEEN,EPDM,-,-,-,-,-	SA
RS016	DA60-00018A	SCREW MACHINE	TH+,-,-,-,-,PASS,STS304,-	SA
RS044	DA60-10123E	SCREW-HEX	HH,-,-,-,M6,L19,ZPC(WHT),SWRCH	SA
RS080	6002-000470	SCREW-TAPPING	TH,+,-,1,M4,L10,ZPC(YEL),S	SA
RS080	6002-000217	SCREW-TAPPING	TH,+,-,1,M4,L8,ZPC(YEL),SW	SA
RS080	6006-001170	SCREW-TAPPING	TH,+,-,WT,TC,M4,L10,ZPC(YEL)	SA
RS088	DA32-10105Q	SENSOR ASSY	502AT,COMBI-PJT,-10~35,5V,5K	SA
RS094	DA32-10109P	SENSOR ASSY	502AT,COMBI,-10~35,5V,1000 O	SA
RS126	DA32-10105B	SENSOR-ASSY	-,-,-,-,-,TEMP CAP TYPE,-	SA
RW074	DA60-20008A	BOLT-HEX	-,-,S25C,-,-,L42.6,-,-,-,-	SA
RW093	DA71-00152A	BRACKET-DRAIN	SR-32,35,A1050H16,T0.6,-,-	SA
RW175	DA67-00949C	CAP-TRAY,FREE	NEW COMBI,PP,-,-,-,SC-02740R	SA
RW177	DA67-00949D	CAP-TRAY,FREE R	NEW COMBI,PP,-,-,-,SC-0274	SA
RW318	DA74-00058A	DRAIN EVAP	SR-32,35,GALVANUM,T0.4,-,-	SA
RW337	DA63-00359A	GASKET-BLADE	SR-32,35,SILICON,-,-,-,NTR,	SA
RW354	DA63-01750A	GASKET-PCB	COMBI-PJT,SILICON,-,-,-,-,E	SA
RW357	DA63-00444A	GASKET-WINDOW	SR-L32,35,NBR,T1,W13,L76,-	SA
RW394	DA63-00771A	GROMMET-FAN MOTOR	OMEGA,NBR,-,-,-,-,-,BL	SA
RW397	DA63-00247A	GROMMET-HINGE	SR-32,35,NY-66,-,-,-,-,-	SA
RW473	DA47-00056A	HEATER-COVER EVAP.RE	-,-,SR-L32,35,-,-,-,2	SA
RW597	DA70-00208A	PLATE-EARTH	SBHG1,T0.8,-,-,SR-32,35,-,-,-,	SA
RW649	DA66-00093A	ROLLER-FREE-ASSY	POM,-,-,SR-35,-,-,-,-	SA
RW664	DA60-10004A	SCREW-HEX	HH,+,-,-,M6,L16,ZPC(YEL),SWRCH	SA
RW668	DA31-00026A	BLADE	PC,NTR,SR-32,35,-,-,-,-	SA
RW668	DA66-00095A	SHAFT-BLADE ASSY	POM,SR-32,35,-,-,-,-,-	SA
RW669	DA66-00060A	SHAFT-HINGE	SWCH10A,SR-32,35,-,-,-,ZPC2,	SA
RW675	DA66-00073B	SHAFT-WASHER	RD-PVC,SR-32,35,-,-,-,T1.0,	SA
RW677	DA66-00073D	SHAFT-WASHER, D	RD-PVC,SR-32,35,-,-,-,T2	SA
RW779	DA34-10125B	SWITCH SENSITIVE	-,-,5V,-,-,-,Black,-	SA
	DA97-04009A	ASSY CASE-LAMP REF	COMBI,T2.5,W350,L123,	SA
	DA97-00919C	ASSY HINGE LOW-R	COMBI,-,-,-,-,-,전착도?	SA
	DA97-04056A	ASSY PIPE-SUCTION	TD-PJT,DCUP,L1800	SA
	DA97-01384G	ASSY-COVER TOP TABLE	EXPORT,2005 DISPLAY	SA
	DA63-00246A	GROMMET-DRAIN HOSE	SR-32,35,NR,-,-,-,-,-	SA
	DA62-01157A	PIPE-DISCHARGE	COMBI PJT,CU,-,-,OD4.76,-,T	SA
	DA70-00135E	PLATE-MID FRONT	COMBI-PJT,SECC1,-,-,T0.8,W	SA
	DA71-00106A	REINF-HINGE,MID	-,-,SBHG1,T2.3,-,-,-,-	SA

◇Part List

(Model Code : RL36SBSW1/DOR)

Location	Part Code	Part Name	Specification	SA/SNA
	DA60-00003A	SCREW-TAP,PH	T3-PJT,-,-,4X10,PH,-,+TAPP	SA
	DA62-01255A	SEAL-CASE LAMP REF	COMBI,FOAM-PE,-,T2,-,	SA
	DA60-40104J	WASHER	-,PI 4.2,-,T0.8,T3-PJT,-,-,STS	SA