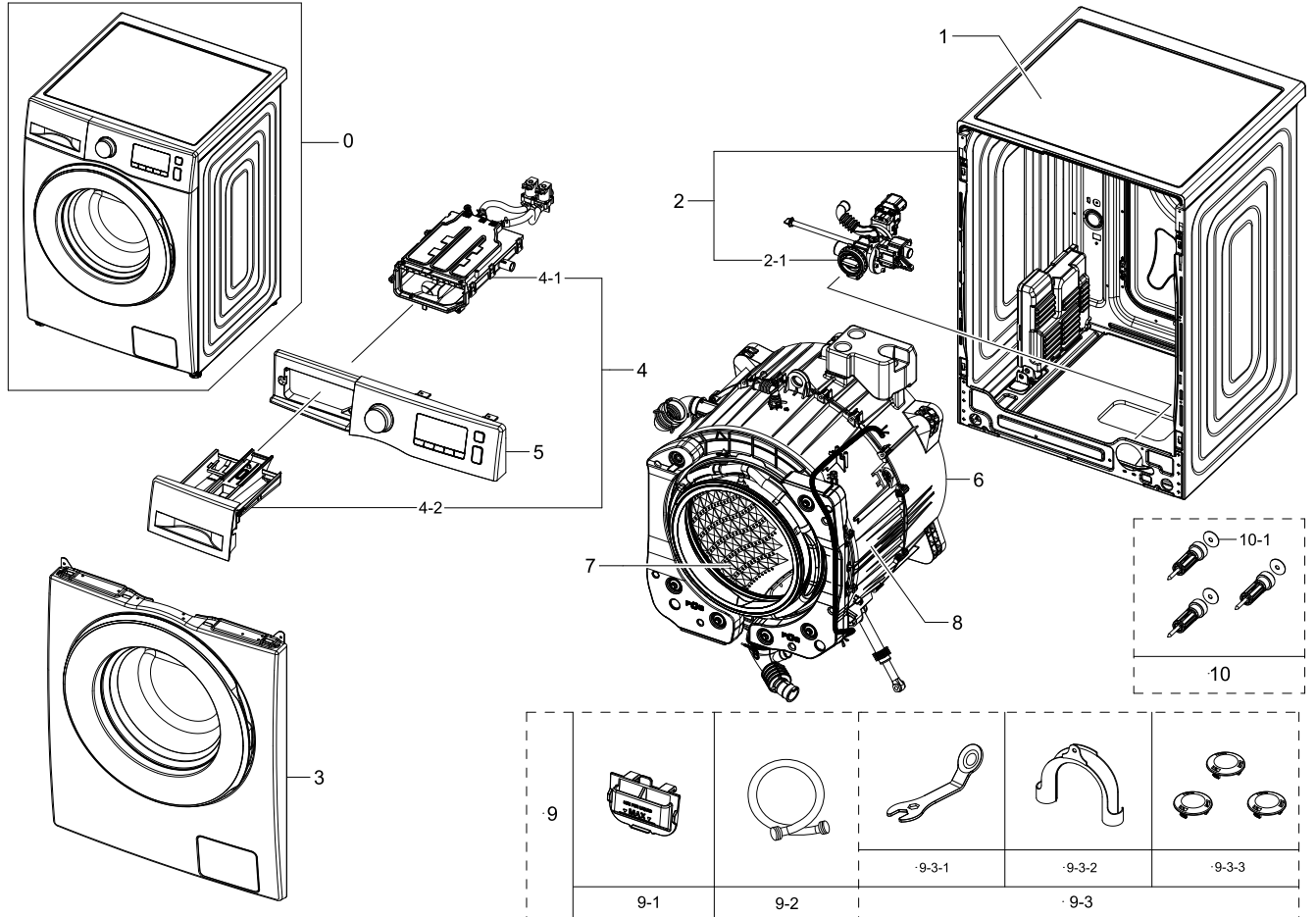


1. MAIN

MAIN

Exploded View



Parts List

No.	Lvl.	Loc.	Material Code	Description & Specification	SNA	Qty.
1	1		DC90-28565A	ASSY COVER TOP PARTS; WW6000T,WW90T654DLH	SNA	1
2	1		DC90-28564C	ASSY FRAME PARTS; WW90T734AWH/S2,DA WHITE	SNA	1
2-1	2	W0194	DC97-15696Q	ASSY PUMP DRAIN; WW6000T,WW90T684DLH/S6,2	SNA	1
3	1		DC90-28572G	ASSY FRONT PARTS; WW5000T,WW90TA026TE/EP	SNA	1
4	1		DC90-28566H	ASSY DRAWER PARTS; WW5000T,WW90TA026TE/EP	SNA	1
4-1	2	W0163	DC97-22247K	ASSY HOUSING DRAWER-MODULE; F500,normal,n	SNA	1
4-2	2	W0216	DC97-17310B	ASSY DRAWER-MODULE; F500E,WF80F50FU4W	SNA	1
5	1		DC90-29987N	ASSY PANEL CONTROL PARTS; WW90TA049TH/EC	SNA	1
6	1		DC90-28568A	ASSY TUB BACK PARTS; WW6000T,WW90T654DLH/	SNA	1
7	1		DC90-28569A	ASSY DRUM PARTS; WW6000T,WW90T654DLH/S6	SNA	1
8	1		DC90-28571B	ASSY TUB FRONT PARTS; WW5000T,WW80T554DTW	SNA	1
9	2	W0718	DC98-04381D	ASSY ACCESSORY; F500 PLATFORM,NON AD,AQUA	SNA	1

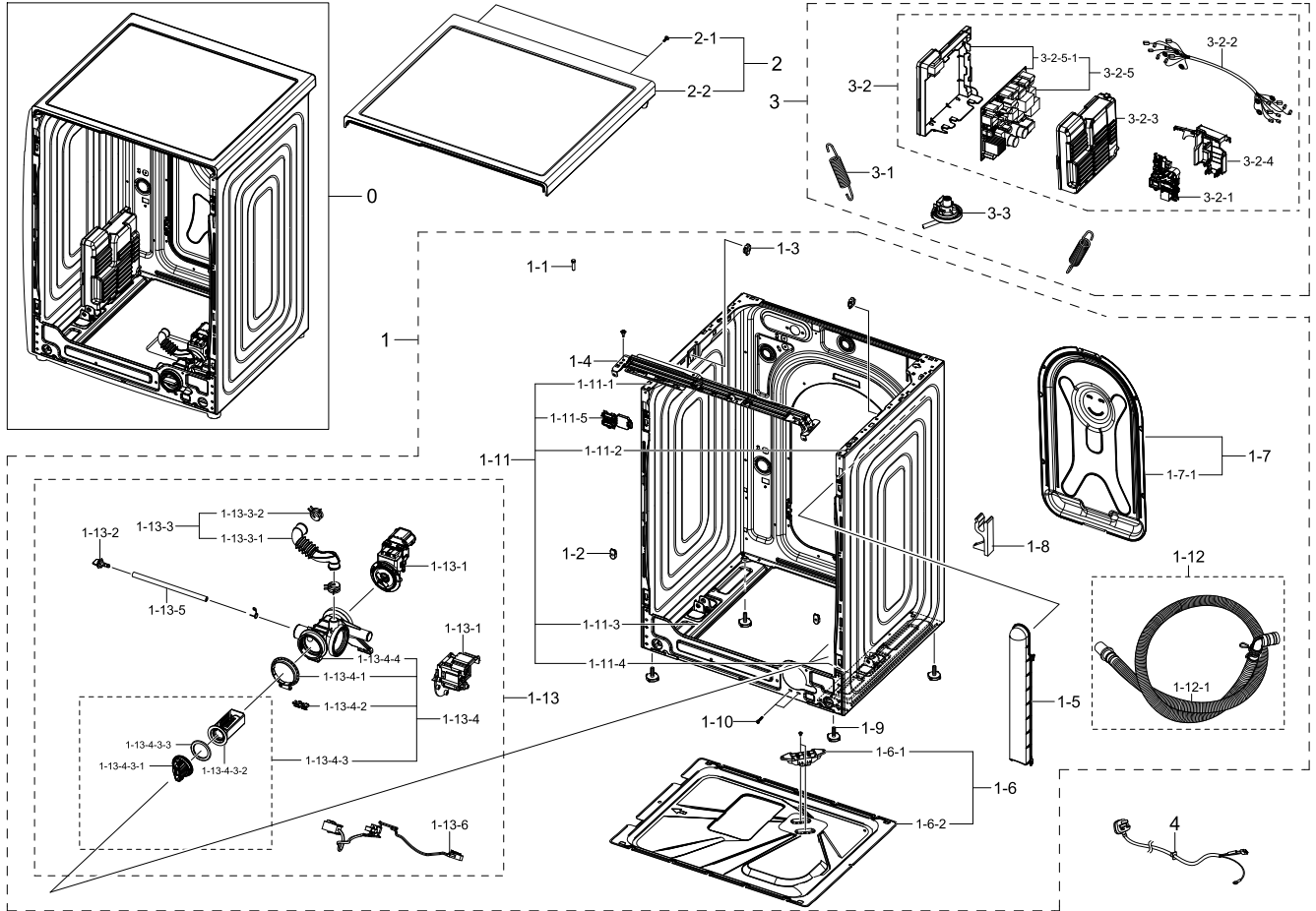
Exploded Views and Parts List

No.	Lvl.	Loc.	Material Code	Description & Specification	SNA	Qty.
9-1	3		DC61-03510A	GUIDE LIQUID; WF-F500E,PP+TD30%,,-,MT43,	SA	1
9-2	3	W0757	DC62-00079A	ASSY HOSE WATER; P1405J,AQUA-STOP,L1500,G	SC	1
9-3	3	W0718	DC98-04379A	ASSY ACCESSORY; WW6000T,WW90T654DLH/S6,CA	SNA	1
9-3-1	4	W0636	DC60-00104A	FASTENER-BOLT; ALL,CR-SPCC,T2,L113.5,-,-,	SA	1
9-3-2	4	WH5379	DC62-10278A	HOSE HANGER; PUMP MODEL,PP,ID27,T1.5,HS95	SA	1
9-3-3	4	W0614	DC67-00307A	CAP-FIXER; WF438AAC/XAA,PP,T1.5,-,P-002HB	SA	3
10	2	W0603	DC97-14653C	ASSY FIXER TUB; SCOUT,WF0804Y8E/XEF	SA	3
10-1	3	WJ0083	DC60-60044B	WASHER PLAIN; WW65R20GLSW/TL,SWRCH18A,T2,	SA	3

2. ASSY FRAME PARTS

ASSY FRAME PARTS

Exploded View



Parts List

No.	Lvl.	Loc.	Material Code	Description & Specification	SNA	Qty.
1	1		DC90-28564C	ASSY FRAME PARTS; WW90T734AWH/S2,DA WHITE	SNA	1
1-1	2	G0049	DC60-40144A	BOLT HEX; F500,SM10C,T10,L35,DAMPER	SA	2
1-2	2		DC61-01901A	GUIDE FRAME FRONT; ALL MODEL,POM,-,-,K300	SNA	2
1-3	2	WI0266	DC61-02065A	GUIDE SPRING; WF448AAG/XXA,POM,T4,-,F20-0	SNA	2
1-4	2		DC61-03969B	FRAME PLATE-UP; GI-SGCC,T1.2,WW5000	SNA	1
1-5	2		DC61-05003B	GUIDE HOSE; F500,PP,T3,HB,RM60C,BLACK,-,R	SA	1
1-6	2	W0635	DC97-22421A	ASSY COVER BOTTOM; U-PJT,F500E,T0.4,LEAKA	SA	1
1-6-1	3	W0499	DC96-01610A	ASSY SENSOR POLE; WW9000HE,12V,,,,,Y,	SNA	1
1-6-2	3	W0462	DC61-03478C	COVER-BOTTOM; WW6000T,GI-SGCC,T0.4	SNA	1
1-7	2	G0430	DC97-21048A	ASSY COVER BACK; WW6000T,WW90T654DLH/S6,U	SNA	1
1-7-1	3	W0617	DC63-00862C	COVER BACK; WF8600NMW,GI-SGCC,T0.35,W352,	SA	1
1-8	2	G0415	DC61-02601A	GUIDE HOSE; SEINE COMBO 9.0kg,PS FOAM,NY6	SA	1

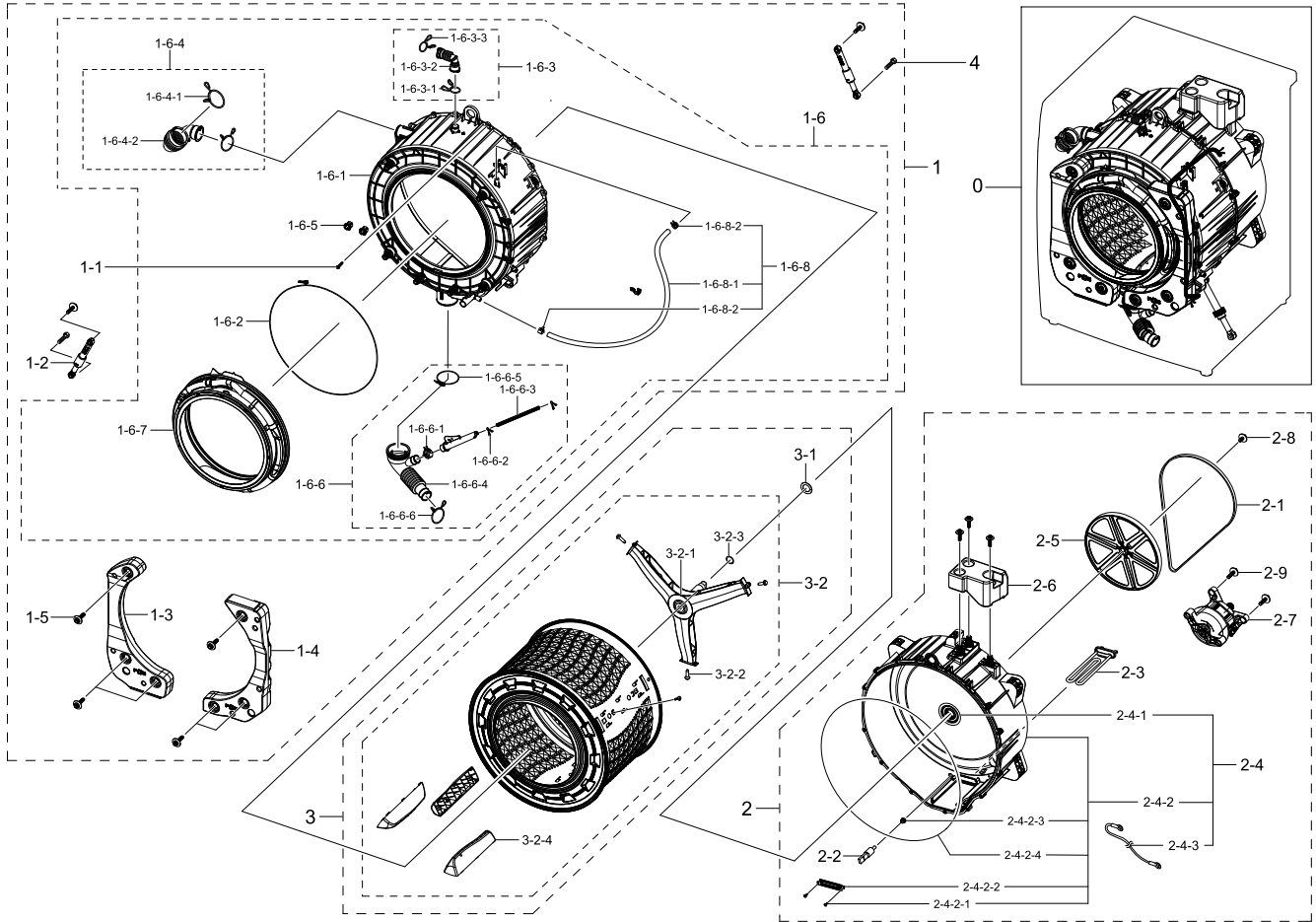
Exploded Views and Parts List

No.	Lvl.	Loc.	Material Code	Description & Specification	SNA	Qty.
1-9	2	W0606	DC97-00920W	ASSY LEG; WW6000T,WD90T654DBH/S1,48.5,M10	SA	4
1-10	2	M0030	DC97-14006C	ASSY SCREW; GRIFFIN-PJT,WF9904RWE,SWRCH18	SNA	2
1-11	2	W0506	DC97-22343A	ASSY FRAME; WW6000T,WW90T654DLH/S6,DA WHI	SA	1
1-11-1	3		DC61-05182A	BRACKET SPRING-LEFT; WW6000T(F500E-SSEC),	SA	1
1-11-2	3		DC61-05183A	BRACKET SPRING-RIGHT; WW6000T(F500E-SSEC)	SA	1
1-11-3	3		DC61-05184A	BRACKET-LOW LEFT; WW6000T(F500E-SSEC),GI-	SA	1
1-11-4	3		DC61-05185A	BRACKET-LOW RIGHT; WW6000T(F500E-SSEC),GI	SA	1
1-11-5	3		DC63-02181B	COVER CONNECTOR; PP,T2,HB,BLACK,RM60,RECY	SA	1
1-12	2	W0604	DC97-20913C	ASSY HOSE DRAIN(O); WW6000T,WW90T654DLH/S	SA	1
1-12-1	3		DC67-00992A	HOSE PUMP; Heba,PP+TD20%,ID20.5,T1,-,DARK	SA	1
1-13	2	W0194	DC97-15696Q	ASSY PUMP DRAIN; WW6000T,WW90T684DLH/S6,2	SNA	1
1-13-1	3		DC31-00181A	MOTOR AC PUMP; Drum & Auto,B15-6A/S3019/S30	SA	2
1-13-2	3		DC61-10673C	CAP DRAIN; WF1802XEY/XSC,PP,RM60,BLACK	SA	1
1-13-3	3	G0422	DC97-17339B	ASSY HOSE AIR; WW5000J,BUBBLE,ID 19.3,BLK	SA	1
1-13-3-1	4	G0053	DC67-00671A	HOSE AIR TUB; F500,EPDM,ID19.3,T2.5,BLACK	SA	1
1-13-3-2	4	W0615	DC61-00158A	CLAMPER HOSE; SW65ASP,SK5,ID23,T0.8,-,-,-	SA	3
1-13-4	3	W0514	DC97-19914A	ASSY CASE FILTER; BUBBLE	SA	1
1-13-4-1	4		DC69-01128A	PACKING-PUMP; WF8804DP,BUTYL,T2.5,HEBA-PJ	SA	1
1-13-4-2	4	WO0031	DC63-00905A	CUSHION PUMP; WF8802DPF/XET,NBR,T1.5,D14,	SNA	1
1-13-4-3	4	G0050	DC97-15695C	ASSY FILTER; Heba,WF9904CWN1	SA	1
1-13-4-3-1	5		DC64-02783A	HANDLE FILTER; WF350ANW/XAA,PP+(GF+KD)30%	SA	1
1-13-4-3-2	5	W0633	DC63-00998A	FILTER PUMP; SCOUT-PJT,PP+TD20%,-,W52.8,L	SA	1
1-13-4-3-3	5		DC73-00022A	SEAL PACKING; SEW-HVR149ATA,EPDM	SA	1
1-13-4-4	4	W0479	DC61-02271B	CASE PUMP; WF0804Y8E/XEF,PP+TD20%,T2.5,NA	SA	1
1-13-5	3	U2015	DC67-00244C	HOSE DRAIN; WF0804Y8E,EPDM,ID6,T2.5,HS0,B	SA	1
1-13-6	3	W0503	DC96-01567C	ASSY WIRE HARNESS; AEGIS 3- PJT,WF0702WKN	SA	1
2	1		DC90-28565A	ASSY COVER TOP PARTS; WW6000T,WW90T654DLH	SNA	1
2-1	2	W0105	6002-001438	SCREW-TAPPING; HWH,+,NO,1,M5,L12,ZPC(WHT)	SNA	2
2-2	2	W0183	DC97-22264B	ASSY COVER TOP-MODULE; U-PJT F500,WW6000T	SA	1
3	1		DC90-29114J	ASSY INNER PARTS; WW5000T,WW90TA049AE/EN	SNA	1
3-1	2		DC61-02029D	SPRING ETC-HANGER MODULE; WW6800M,HSWR,3.	SA	2
3-2	2		DC92-03084E	ASSY COVER PCB W/HARNESS; WW5000T,WW90TA0	SNA	1
3-2-1	3		DC34-00028B	SWITCH DOOR LOCK; AC250V,16A,SOLENOID,DOO	SA	1
3-2-2	3		DC93-00895M	ASSY WIRE HARNESS-MAIN; DRUM-M,WW90TA047A	SA	1
3-2-3	3		DC63-02598A	COVER PBA; WW6000T(F500E-SSEC),ABS,T2.5,5	SA	1
3-2-4	3		DC63-02602A	COVER DOOR SWITCH; WW6000,PP,T2.5,5VA,NAT	SA	1
3-2-5	3		DC92-02748B	ASSY HOLDER PCB; WW4000T,DC94-10602A,Y,SM	SA	1
3-2-5-1	4		DC94-10602A	ASSY PCB EEPROM; 01A6,WW4000T	SA	1
3-3	2	H2050	DC96-01703G	SENSOR PRESSURE; Air,5V,L0,400mmH2O	SA	1
4	2		DC39-00067B	POWER CORD-AT; H05VV-F 3x1.0mm2,GRY,EU3F,	SA	1

3. ASSY TUB & DRUM PARTS

ASSY TUB & DRUM PARTS

Exploded View



Parts List

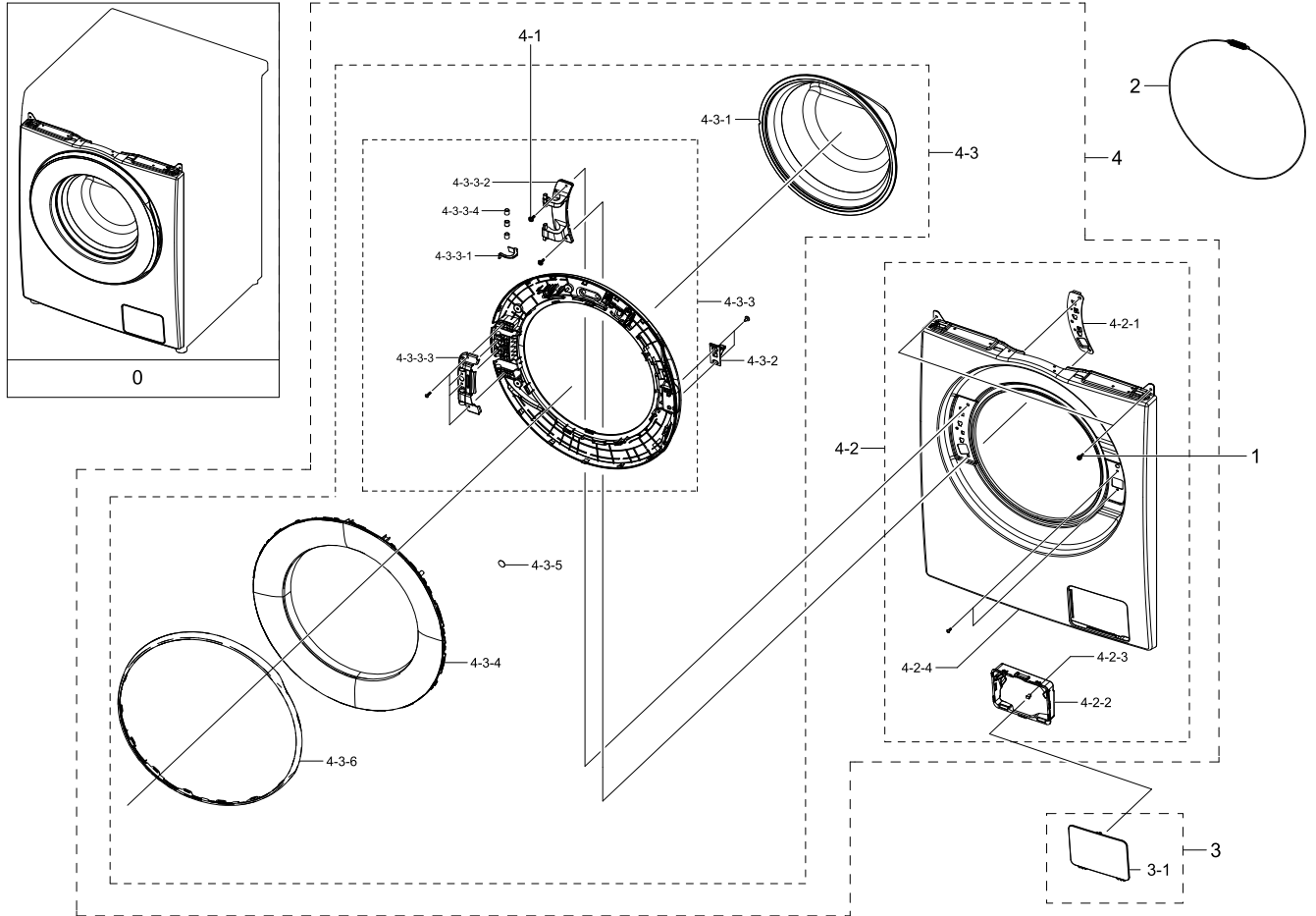
No.	Lvl.	Loc.	Material Code	Description & Specification	SNA	Qty.
1	1		DC90-28571B	ASSY TUB FRONT PARTS; WW5000T,WW80T554DTW	SNA	1
1-1	2	G0049	6009-001367	BOLT-HEX; M6.5,L32,ZPC(WHT),HWH,+ ,SWRCH18	SA	15
1-2	2		DC66-00470G	DAMPER SHOCK-MODULE; 24" Drum,PP/RUBBER/S	SA	2
1-3	2		DC67-01109A	WEIGHT BALANCER-LEFT MODULE; WW6000T,CONC	SA	1
1-4	2		DC67-01110A	WEIGHT BALANCER-RIGHT MODULE; WW6000T,CON	SA	1
1-5	2	W0601	DC97-14263A	ASSY BOLT; MOTOR/BOLT(M8)+WASHER(OD27.5),	SA	4
1-6	2	G0048	DC97-22451A	ASSY TUB FRONT-MODULE; U-PJT(F500),NON SU	SNA	1
1-6-1	3		DC61-03453E	TUB FRONT; WW6000T,PP+GF30%,T3.5,NATURAL,	SA	1
1-6-2	3	M0038	DC91-12077F	ASSY CLAMP DIAPHRAGM; WW6000T	SA	1
1-6-3	3	G0422	DC97-14873C	ASSY HOSE AIR; F500,WF80F5E5U4W	SA	1
1-6-3-1	4	W0615	DC61-00158A	CLAMPER HOSE; SW65ASP,SK5,ID23,T0.8,-,-,-	SA	3
1-6-3-2	4	WH5206	DC67-00354A	HOSE AIR; HEBA PJT,EPDM,ID19.4,T2.6,HS50,	SA	1

No.	Lvl.	Loc.	Material Code	Description & Specification	SNA	Qty.
1-6-3-3	4	WJ0027	DC65-60118J	CLIP RING; WW80T554,HSWR,-,-,-,ID23,PI2.0	SNA	1
1-6-4	3	G0043	DC97-14874F	ASSY HOSE DRAWER; F500E,ALL	SA	1
1-6-4-1	4	W0610	DC65-60118R	CLIP RING; AEGIS-PJT,HSWR-SWRH,T3.0,ID37	SA	1
1-6-4-2	4	W0624	DC67-00674A	HOSE DRAWER TUB; SEINE COMBO,EPDM,ID34.9,	SA	1
1-6-5	3	WS0064	DC61-02549A	BUSH MOTOR; HEBA BIGBANG,PA66,NATURAL,KN3	SA	2
1-6-6	3	W0605	DC97-17330A	ASSY HOSE PRESSURE; 400mmH20,No PBA,WF80F	SA	1
1-6-6-1	4	W0615	DC61-00219B	CLAMPER HOSE; SK5,WSLS1100A,ID24 OD26.4	SNA	1
1-6-6-2	4	WP0165	DC61-70029C	CLIP RING; SEW-HW125,HSWR,WHITE	SNA	2
1-6-6-3	4	W0725	DC67-00230E	HOSE WATER; WD8704,TPE,ID4.5,-,HS0,DARK H	SNA	1
1-6-6-4	4	W0625	DC67-00551A	HOSE FILTER TUB; VOLGA,EPDM,ID64.5,T1.5,H	SA	1
1-6-6-5	4	W0744	DC65-00021A	CLAMPER HOSE-JOINT; HEBA PJT,HSWR	SNA	1
1-6-6-6	4	WJ0027	DC72-00001H	CLIP RING; HEBA-PJT,HSWR,WHITE	SNA	1
1-6-7	3		DC64-03988A	DOOR DIAPHRAGM; WW8000T,TPE,T1.5,-,EK-104	SA	1
1-6-8	3		DC97-22331A	ASSY HOSE CIRCULATION; U-PJT(F500),WW90T6	SA	1
1-6-8-1	4	G0052	DC67-00471E	HOSE CIRCULATION; F500E,EPDM,ID9,T2.75,BL	SNA	1
1-6-8-2	4	W0615	DC65-00008B	CLAMPER HOSE; SSEC-GE,SK5,Dacromet,T1.0	SA	2
2	1		DC90-28568A	ASSY TUB BACK PARTS; WW6000T,WW90T654DLH/	SNA	1
2-1	2	W0209	6602-001497	BELT-TIMING GEAR; BAIKAL,RUBBER,T3.2,W11.	SA	1
2-2	2	M0487	DC32-00010C	SENSOR TEMP; L120,3.243kohm,2%,60C,9.8phi	SA	1
2-3	2	W0237	DC47-00033B	HEATER WASH; AC230V,2000W,SUS316L,728mm,N	SA	1
2-4	2	W0501	DC97-22299A	ASSY TUB BACK; WW6000T,WW90T654DLH/S6	SA	1
2-4-1	3	WS0119	DC62-00008A	SEAL OIL; NBR,NBU	SA	1
2-4-2	3	G0029	DC97-22301A	ASSY TUB BACK-MODULE; U-PJT(F500),WW90T65	SNA	1
2-4-2-1	4		6002-001554	SCREW-TAPPING; BH,+,No,1,M4,L12,STS430,HE	SNA	2
2-4-2-2	4	W0230	DC61-02874A	BRACKET HEATER; WD0704CQR,STS430,T0.5,-,-	SA	1
2-4-2-3	4	M0028	DC69-00824A	PACKING-THERMISTOR; GW-PJT,EPDM,-,-,W17,H	SNA	1
2-4-2-4	4	W0740	DC69-01769A	PACKING-TUB; ARNO,EPDM,EPDM,T5.5,L1720,BL	SA	1
2-4-3	3	WW5082	DC96-01327B	ASSY WIRE HARNESS-EARTH; DRUM-M,WF8800BPH	SA	1
2-5	2	W0434	DC66-00500B	PULLEY MOTOR; F500,ALDC,OD296.8,1400RPM	SA	1
2-6	2		DC67-01108A	WEIGHT BALANCER-UP MODULE; WW6000T,CONCRE	SA	1
2-7	2		DC93-00630A	ASSY MOTOR BLDC-MODULE; F4 24mm Press Hou	SA	1
2-8	2	W0601	DC97-06080F	ASSY BOLT; WD9500J,30,M12,Washer 38	SA	1
2-9	2	W0601	DC97-14263A	ASSY BOLT; MOTOR/BOLT(M8)+WASHER(OD27.5),	SA	4
3	1		DC90-28569A	ASSY DRUM PARTS; WW6000T,WW90T654DLH/S6	SNA	1
3-1	2	WS0131	DC60-00069A	SPACER; WR-HA139WA,STS304,-,-,T0.3,-,D0,-	SNA	1
3-2	2	W0165	DC97-17231C	ASSY DRUM-MODULE; U-F500,H	SA	1
3-2-1	3	W0164	DC97-17234A	ASSY FLANGE SHAFT; F500 PJT,71.5	SA	1
3-2-2	3	WJ5081	DC60-40137A	BOLT HEX; MARS-PJT,STS430,-,L30,-,-,-,HEX	SA	3
3-2-3	3		6044-002157	RING-OG; ID28,OD32.2,T2.1,BLK,NBR	SA	1
3-2-4	3	W0619	DC66-00759A	DRUM LIFTER; F500 PJT,PP+TD20%,-,-,-,FC22	SA	3
4	2	G0049	DC60-40144A	BOLT HEX; F500,SM10C,T10,L35,DAMPER	SA	2

4. ASSY FRONT PARTS

ASSY FRONT PARTS

Exploded View



Parts List

No.	Lvl.	Loc.	Material Code	Description & Specification	SNA	Qty.
0	1		DC90-28572G	ASSY FRONT PARTS; WW5000T,WW90TA026TE/EP	SNA	1
1	2	W0105	6002-001438	SCREW-TAPPING; HWH,+,NO,1,M5,L12,ZPC(WHT)	SNA	2
2	2	W0608	DC91-12078E	ASSY WIRE DIAPHRAGM; AEGIS,WF8500NHW/YLP,	SA	1
3	2	M0039	DC97-22290A	ASSY COVER FILTER; WW6000T,ABS,T2.5,DA WH	SNA	1
3-1	3		DC63-00920M	COVER FILTER; ADD WASH,ABS,T2.5,-,DA WHIT	SA	1
4	2	W0253	DC97-22445P	ASSY FRAME FRONT; WW90TA026TE/EP,WHITE,BA	SNA	1
4-1	3	G0425	6009-001522	SCREW-HEX; HWH,+,M5,L16,PASS,STS304,FP,SE	SA	2
4-2	3	W0253	DC97-22283A	ASSY FRAME FRONT-MODULE; WD6000T,WD90T654	SA	1
4-2-1	4		DC61-01919B	BRACKET HINGE; WW6500K,GI-SGCC,T1.4,-,-,-	SA	1
4-2-2	4		DC61-01917G	GUIDE FILTER; WW90T754DBX/S6,PP,T2.5,RM60	SA	1
4-2-3	4	M0374	DA66-01072A	LATCH; LATOUR,POM,NATURAL,DC LATCH	SA	1
4-2-4	4		DC61-05186A	FRAME FRONT; WW6000,GI-SGCD,DA WHITE,T0.7	SA	1

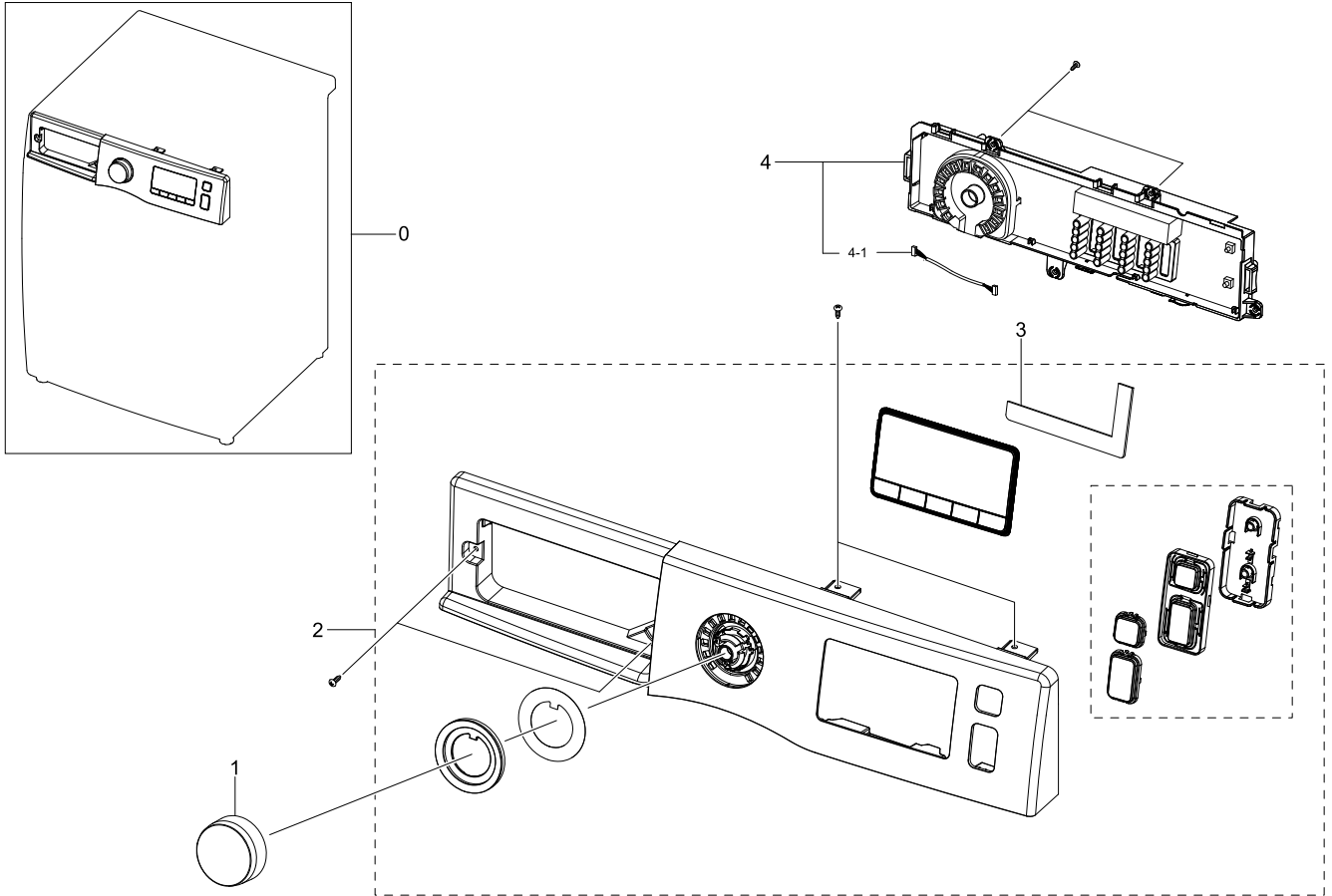
Exploded Views and Parts List

No.	Lvl.	Loc.	Material Code	Description & Specification	SNA	Qty.
4-3	3	W0459	DC97-22270D	ASSY DOOR-MODULE; WW5000T,NON ADD WASHER,	SA	1
4-3-1	4	W0448	DC64-01790A	DOOR GLASS; AEGIS,GLASS,T5,-,-,CLEAR TP,-	SA	1
4-3-2	4	W0474	DC66-00375A	LEVER DOOR; 10KG DRUM, U-PJT,ZNDC,T2.5,NI	SC	1
4-3-3	4	W0454	DC97-22277A	ASSY HOLDER GLASS; WW8000T,NON ADD WASHER	SA	1
4-3-3-1	5		DC61-02197A	GUIDE WIRE; WD9500JK,POM,T1,M90-44,NATURA	SA	1
4-3-3-2	5		DC61-04131A	HINGE DOOR; WW6/5500K,ALDC,T5,-,-,-,-	SA	1
4-3-3-3	5		DC61-04134A	BRACKET HOLDER; WW6/5500K,GI-SGCC,T1.2,-,-	SA	1
4-3-3-4	5	WD0090	DC61-00891A	GUIDE HINGE; HAUZEN(DOM),POM,-,-,K300,NAT	SA	3
4-3-4	4		DC63-02609B	COVER DOOR; WW6000T,ABS,T3,DA WHITE,WT003	SNA	1
4-3-5	4		DC64-03303A	INLAY-DOOR; WD9500J,PET,T0.3,VERSAILLES G	SA	1
4-3-6	4		DC64-03949C	DECORATION COVER DOOR; DV90T7240BH/S3,ABS	SA	1

5. ASSY PANEL CONTROL PARTS

ASSY PANEL CONTROL PARTS

Exploded View



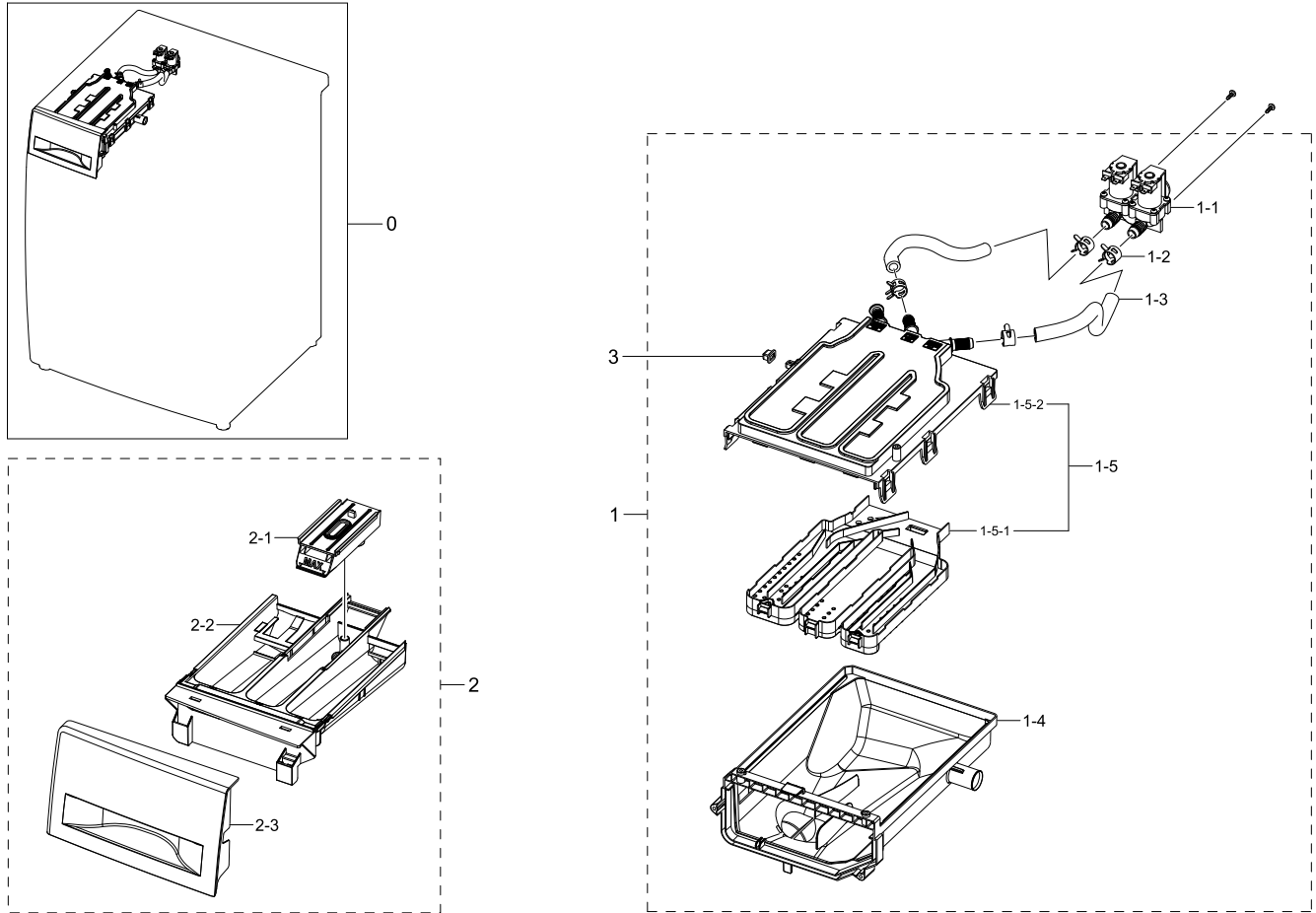
Parts List

No.	Lvl.	Loc.	Material Code	Description & Specification	SNA	Qty.
0	1		DC90-29987N	ASSY PANEL CONTROL PARTS; WW90TA049TH/EC	SNA	1
1	2		DC64-03312A	KNOB ENCODER; F500E,ABS,DA WHITE,DA WHITE	SA	1
2	2		DC97-22627B	ASSY PANEL CONTROL-MODULE; WW5000T(F500),	SA	1
3	2	W0897	DC93-00540A	ASSY MODULE; TOUCH SENSOR,F500 IML BEST,"	SA	1
4	2		DC92-01950B	ASSY PCB DISPLAY; FWM_INV WASH,WW5000T_LE	SNA	1
4-1	3	W0503	DC96-01574B	ASSY WIRE HARNESS; DRUM-M,WF210ANW,DC12 V	SA	1

6. ASSY DRAWER PARTS

ASSY DRAWER PARTS

Exploded View



Parts List

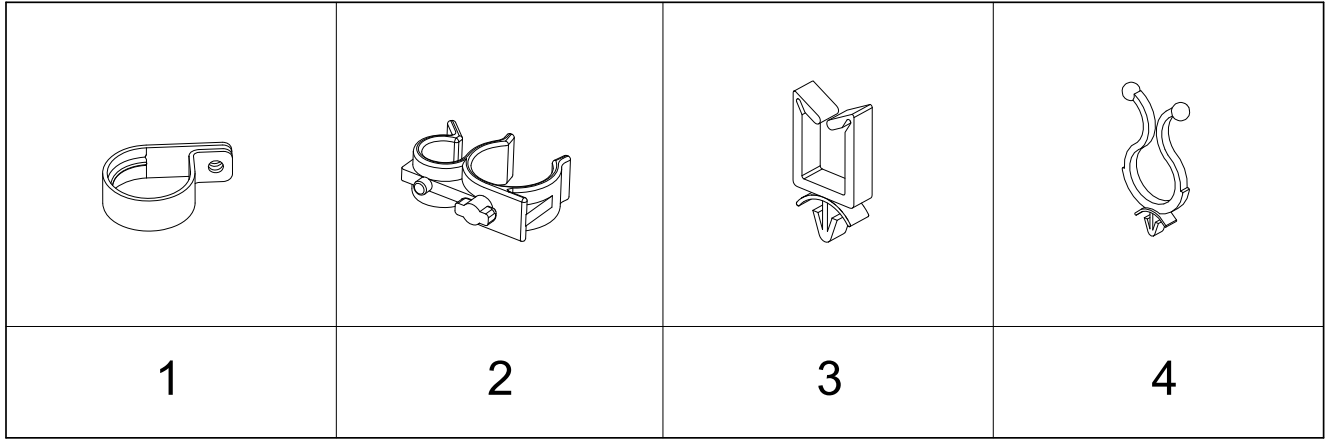
No.	Lvl.	Loc.	Material Code	Description & Specification	SNA	Qty.
0	1		DC90-28566H	ASSY DRAWER PARTS; WW5000T,WW90TA026TE/EP	SNA	1
1	2	W0163	DC97-22247K	ASSY HOUSING DRAWER-MODULE; F500,normal,n	SNA	1
1-1	3		DC33-01010A	VALVE WATER; DC12V,Bracket,mm,#250,1,2,11	SA	1
1-2	3	W0615	DC65-00008B	CLAMPER HOSE; SSEC-GE,SK5,Dacromet,T1.0	SA	4
1-3	3	W0151	DC67-00051B	HOSE DRAWER; Q1636GW/XEU,EPDM,ID9,OD14.5,	SNA	0
1-4	3	W0372	DC61-02663A	HOUSING DRAWER-LOW; WW5000,PP+TD30%,T1.8,	SA	1
1-5	3	W0497	DC97-17347D	ASSY S.HOUSING DRAWER; F500, 8kg,NC0001	SA	1
1-5-1	4		DC61-03474C	HOUSING DRAWER-MIDDLE; F500,PP+TD30%,-,NA	SA	1
1-5-2	4	W0370	DC61-03475A	HOUSING DRAWER-UP; WF-F500E,PP+TD30%,NATU	SNA	1
2	2	W0216	DC97-17310B	ASSY DRAWER-MODULE; F500E,WF80F50FU4W	SNA	1
2-1	3	W0215	DC67-00669A	CAP RINSE; WF-F500E,PP+TD30%,MT43,HONESTY	SA	1
2-2	3	W0156	DC61-03480A	BODY DRAWER; WF-F500E,PP+TD30%,DA WHITE,W	SA	1

No.	Lvl.	Loc.	Material Code	Description & Specification	SNA	Qty.
2-3	3		DC64-02858M	PANEL DRAWER; ABS,HB,HG-0760GP,DA WHITE,W	SA	1
3	3		DC67-00327A	CAP DRAWER HOOK; HEBA-PJT,EPDM,-,-,BLAC	SNA	1

7. SMALL PARTS

SMALL PARTS

Exploded View



Parts List

No.	Lvl.	Loc.	Material Code	Description & Specification	SNA	Qty.
1	2	W0616	DC61-00118A	CLAMP-CABLE; P1291,PA66,NATURAL,NC0001	SA	1
2	2	W0616	DC61-00133A	CLAMPER HOSE-FIX; P1291,PP,BLACK,-,-,RM60	SNA	3
3	2	M0001	DC61-00553B	CABLE CLAMP; DAWS-3NE,PA66,NTR	SNA	1
4	2	WI0293	DC61-40081A	HOLDER WIRE; DAWH-2NC,PA66,-,NATURAL,-,-,	SA	1