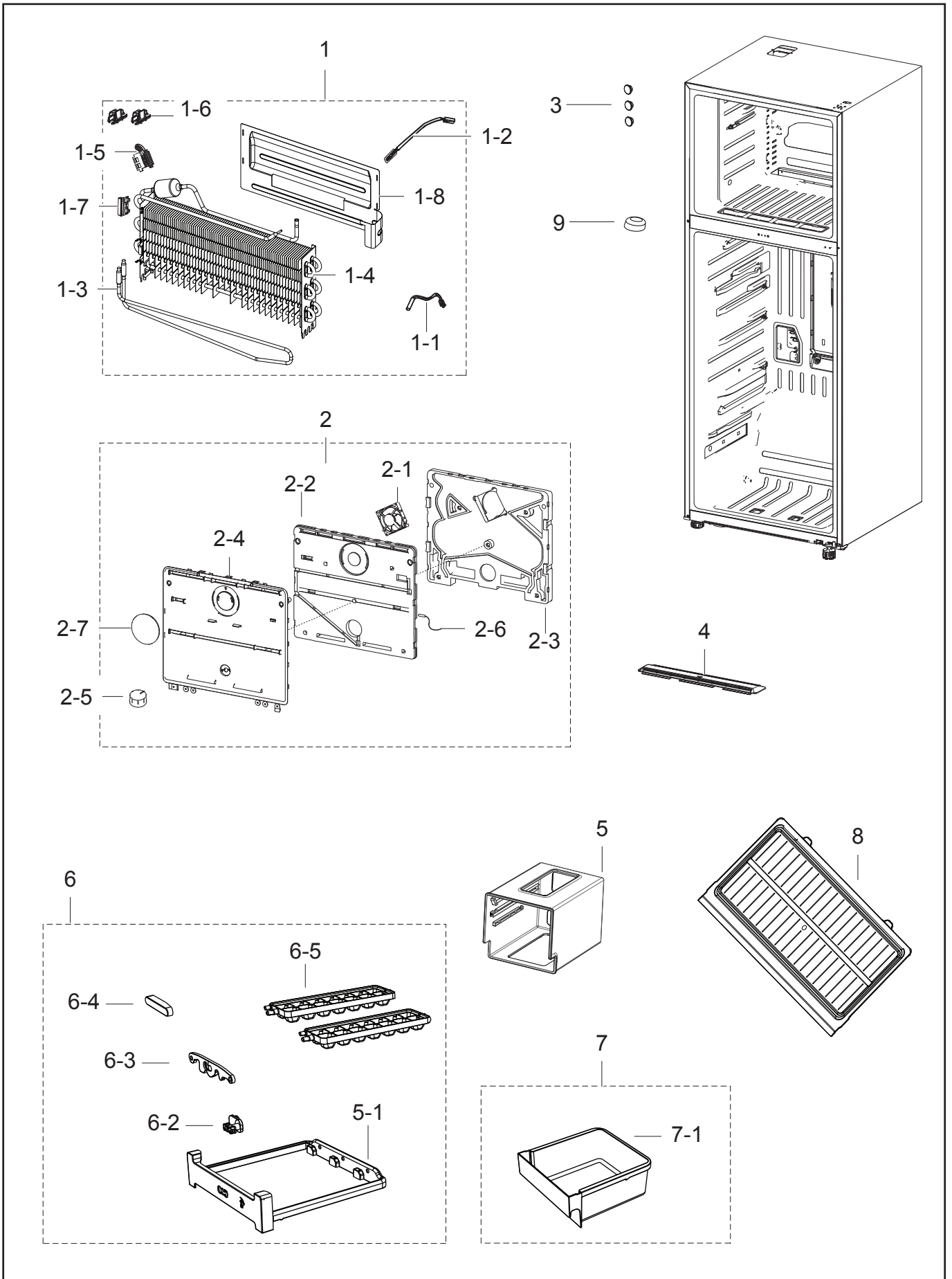


EXPLODED VIEW

1. FREEZER



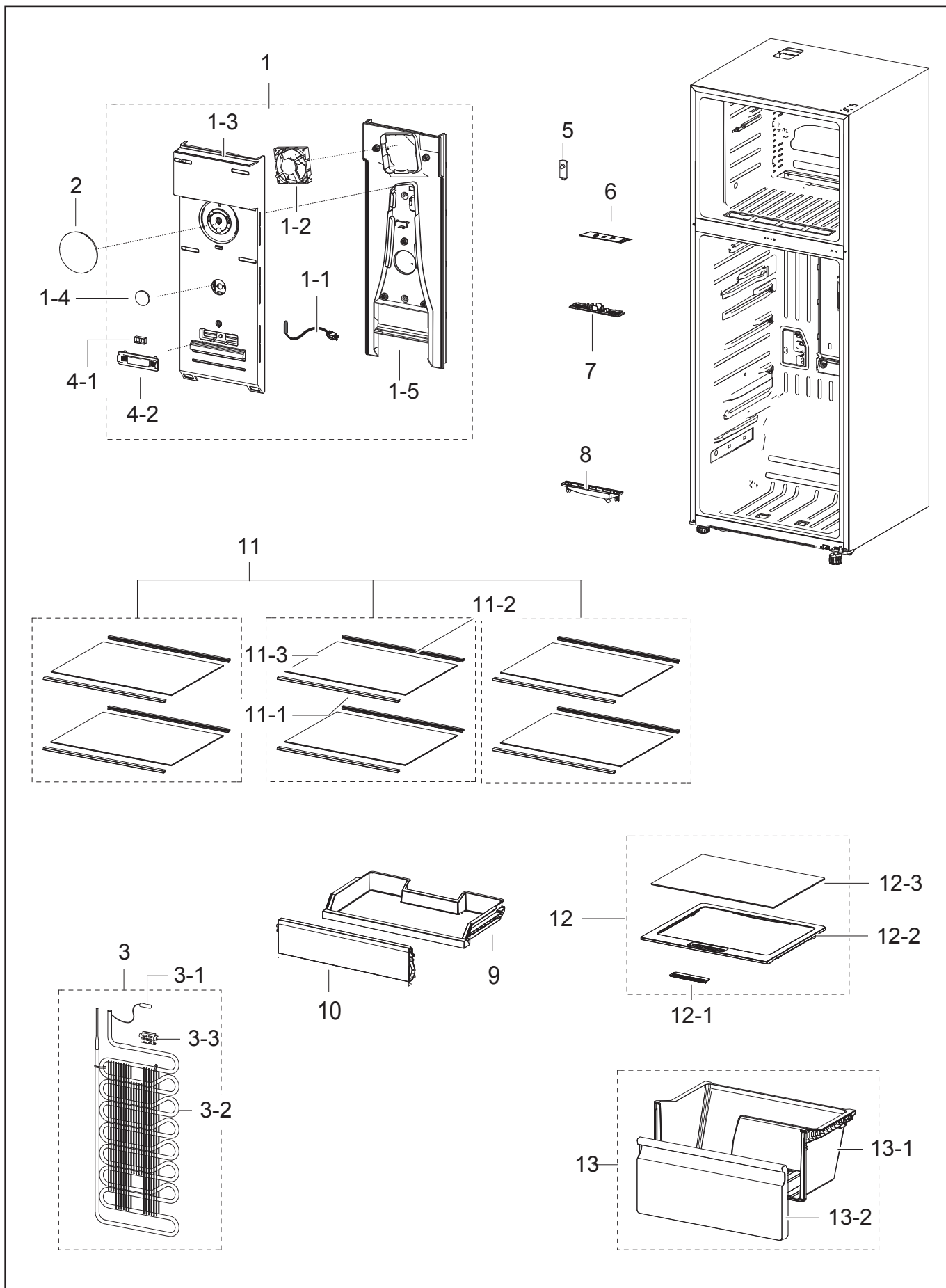
EXPLODED VIEW

1. FREEZER

No.	MATERIAL CODE	PART NAME	SPECIFICATION	QTY	STATUS
1	DA96-01010F	ASSY EVAP-FRE	RT5000K_RT35,38,Fin Tube,1	1	SA
1-1	DA32-00006D	SENSOR TEMP	PX-41C,502AT,DKST1329GW,EXPO	1	SNA
1-2	DA47-00301F	THERMO FUSE-ASSY	AC250V,10A,109~110°C,S.O	1	SA
1-3	DA47-00460G	HEATER METAL SHEATH	AC120V,3050 TMF, 90o	1	SA
1-4	DA59-00554C	EVAPORATOR-FRE	Fin Tube,RT35,38,43,46,AL	1	SNA
1-5	DA61-00603A	FIXER-SENSOR	n-PJT,PP,T2.0,NATURAL,HB,BJ	1	SA
1-6	DA61-07410A	FIXER-HEATER FRE	NW2,PP,NATURAL,BJ750	2	SA
1-7	DA61-07411A	FIXER-FUSE	NW2,PP,NATURAL,BJ750	1	SA
1-8	DA61-09104C	PLATE EVAP-REAR	RT35,Al,T0.3,A3003-H12	1	SNA
2	DA97-16247A	ASSY COVER EVAP-FRE	RT5000K 35/38,DISPLA	1	SA
2-1	DA31-00338A	MOTOR BLDC FAN	U92C12MS1B3-52K091,3350±7	1	SA
2-2	DA62-04654A	INSULATION COVER EVAP-FRE A	RT5000K 35/3	1	SNA
2-3	DA62-04655A	INSULATION COVER EVAP-FRE B	RT5000K 35/3	1	SNA
2-4	DA63-08320A	COVER EVAP-FRE	RT5000K 35/38,PP,HB,COOL	1	SNA
2-5	DA67-00738A	CAP-KNOB	MAX-PJT,PP,WHITE (SC-93437R),WE	1	SNA
2-6	DA32-00070A	SENSOR TEMP	SC41198-021A,900mm,13.2kohm	1	SA
2-8	DA63-08326B	COVER-TWIN COOLING	GPPS,HB,GENTLE BLUE,S	1	SNA
3	DA67-30266K	CAP SCREW	A-TOP,PP,T1.5,HB,BJ750,COOL WH	3	SA
4	DA63-07355A	COVER-AIR FRE	RT380/350,PP,COOL WHITE	1	SA
5	DA61-10831A	SUPPORT ICE MAKER	RT7000K,HIPS,S834S1,CO	1	SA
6	DA97-13501A	ASSY TRAY ICE	RT32/29/25/22,COOL,2 TWIST	1	SA
6-1	DA61-08907A	CASE-TRAY ICE	RT38/35/32/29,2TWIST,PP,23	1	SA
6-2	DA66-01003A	LEVER-TRAY ICE KNOB	3050,TMF,PA66,NTR	1	SA
6-3	DA66-01006A	LEVER-TRAY ICE	RT320,POM,NTR	1	SA
6-4	DA64-04461A	KNOB-TRAY ICE	3050 TMF,ABS,2.0,COOL WHTI	1	SA
7	DA97-13671H	ASSY TRAY ICE	RT7000,TRAY ICE-CUBE,GPPS,	1	SA
7-1	DA63-07331C	TRAY ICE-CUBE	RT5/6/7000K,GPPS,HB,TP BLU	1	SA
8	DA67-03654A	SHELF FRE	RT38/35,GPPS,TP BLUE	1	SA
9	DA67-00322K	CAP SCREW	EXP,PP,T1.0,HB,BJ750,NOBLE GRA	1	SA

EXPLODED VIEW

2. FRIDGE



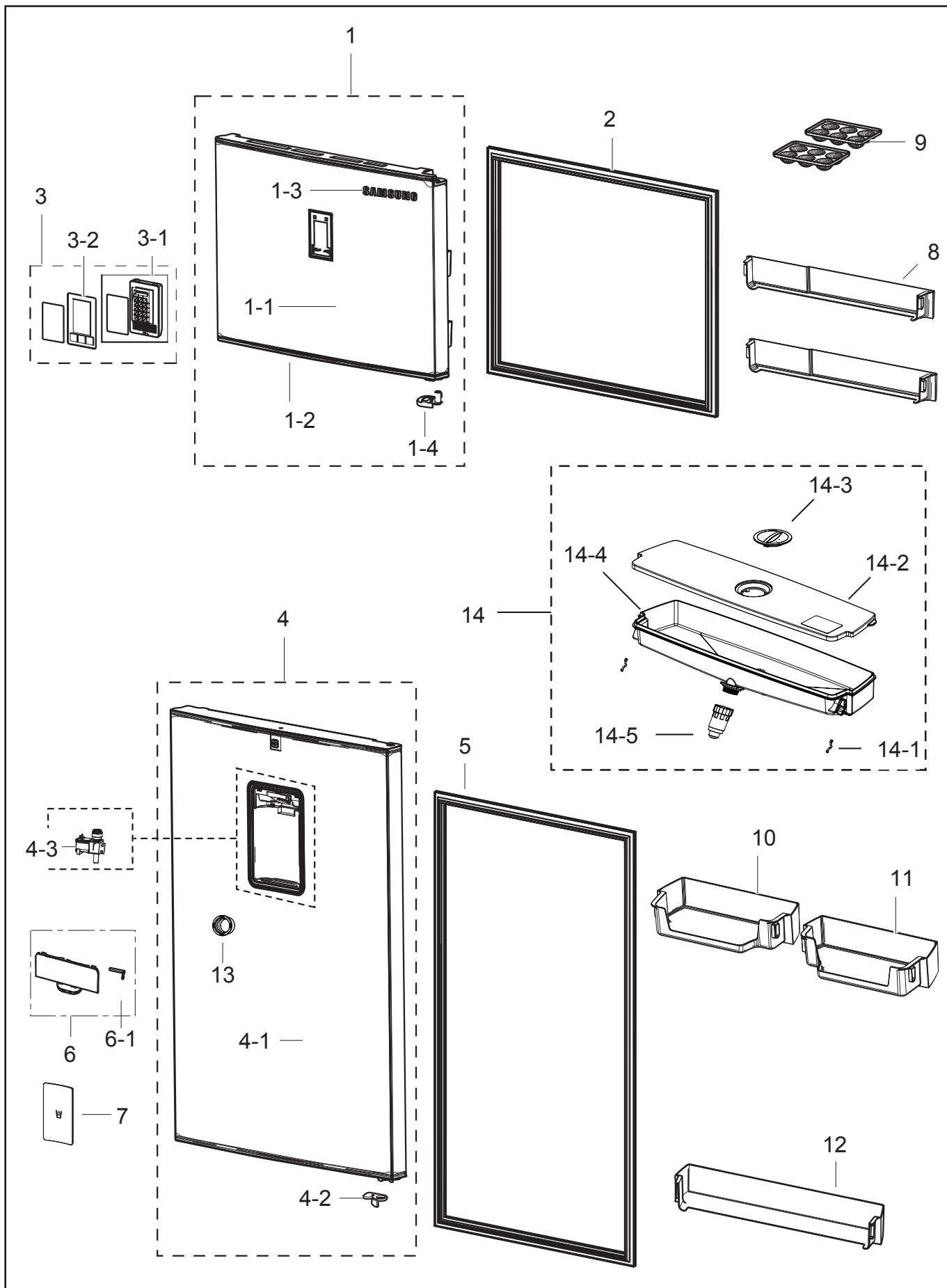
EXPLODED VIEW

2. FRIDGE

No.	MATERIAL CODE	PART NAME	SPECIFICATION	QTY	STATUS
1	DA97-16248A	ASSY COVER EVAP-REF	RT5000K 29/32/35/38,	1	SA
1-1	DA32-00070B	SENSOR TEMP	SC41198-021A,500mm,13.2kohm	1	SA
1-2	DA31-00338A	MOTOR BLDC FAN	U92C12MS1B3-52K091,3350±7	1	SA
1-3	DA63-08322A	COVER EVAP-REF A	RT5000K 29/32/35/38,PP,	1	SNA
1-4	DA67-00738A	CAP-KNOB	MAX-PJT,PP,WHITE (SC-93437R),WE	1	SNA
1-5	DA63-08323A	COVER EVAP-REF B	RT5000K 29/32/35/38,PP,	1	SNA
2	DA99-04209C	ASSY ACCESSORY-TWIN COOLING	RT7000K	1	SA
3	DA96-01156A	ASSY EVAP-REF	RT5000K,STEEL WIRE	1	SA
3-1	DA32-00070C	SENSOR TEMP	SC41200-021A,250mm,13.2kohm	1	SNA
3-2	DA59-00580A	EVAPORATOR-REF	Fin Tube,RT5000K	1	SNA
3-3	DA61-07408A	FIXER-SENSOR	NW2,PP,NATURAL,M1600	1	SNA
4	DA97-13606A	ASSY COVER-DEODORIZER	3050PJT	1	SA
4-1	DA02-00216B	CATALYST-DEODORIZER	T10,W15,L30,activate	1	SNA
4-2	DA63-07423B	COVER-DEODORIZER	3050,PP,COOL WHITE,BJ75	1	SA
5	DA34-10121C	SWITCH DOOR	AC125V/250V,1.5/0.75,1BUTTON	1	SA
6	DA41-00519R	ASSY LAMP LED	3ea,CEM-1,65*10,WHITE,SMAW	1	SA
7	DA63-07368A	COVER-LAMP	3050,GPPS,T2.0,TP BLUE,G116HV	1	SA
8	DA61-10876A	PLATE DRAIN-REF	RT7000K,HIPS,T1.5,NATURA	1	SNA
9	DA63-08330A	TRAY CHILLED ROOM	RT38,GPPS,T2.5,HB,TP B	1	SA
10	DA63-07374C	COVER TRAY-CHILLED	RT38/35,GPPS,T2.5,HB,	1	SA
11	DA97-16286A	ASSY SHELF GLASS-REF	RT5000_38/35	3	SA
11-1	DA64-04392B	TRIM SHELF-FRONT REF	RT38/35,HIPS,S834S1	1	SA
11-2	DA64-04395B	TRIM SHELF-REAR REF	RT38/35,HIPS,S834S1,	1	SA
11-3	DA64-04993A	GLASS-SHELF REF	RT5000_38/35,GLASS,T3.2,	1	SNA
12	DA97-13490B	ASSY COVER VEG	3050(RT38)_SEM	1	SA
12-1	DA63-07341B	COVER SHEET	3050-PJT,HIPS,COOL WHITE,S83	1	SA
12-2	DA63-07371A	COVER VEG	3050-RT380,HIPS,T2.5,HB,COOL W	1	SNA
12-3	DA67-03645H	GLASS-COVER VEG	GLASS,T4.0,RT380/350,TEM	1	SNA
13	DA97-13483A	ASSY CASE-VEG LOW	3050(RT380),T2.5,COOL	1	SA
13-1	DA61-08975A	CASE-VEG LOW	3050(RT380),PP,COOL WHITE	1	SA
13-2	DA63-07378A	COVER-VEG LOW FRONT	3050(RT380),GPPS,HB,	1	SA

EXPLODED VIEW

3. DOORS



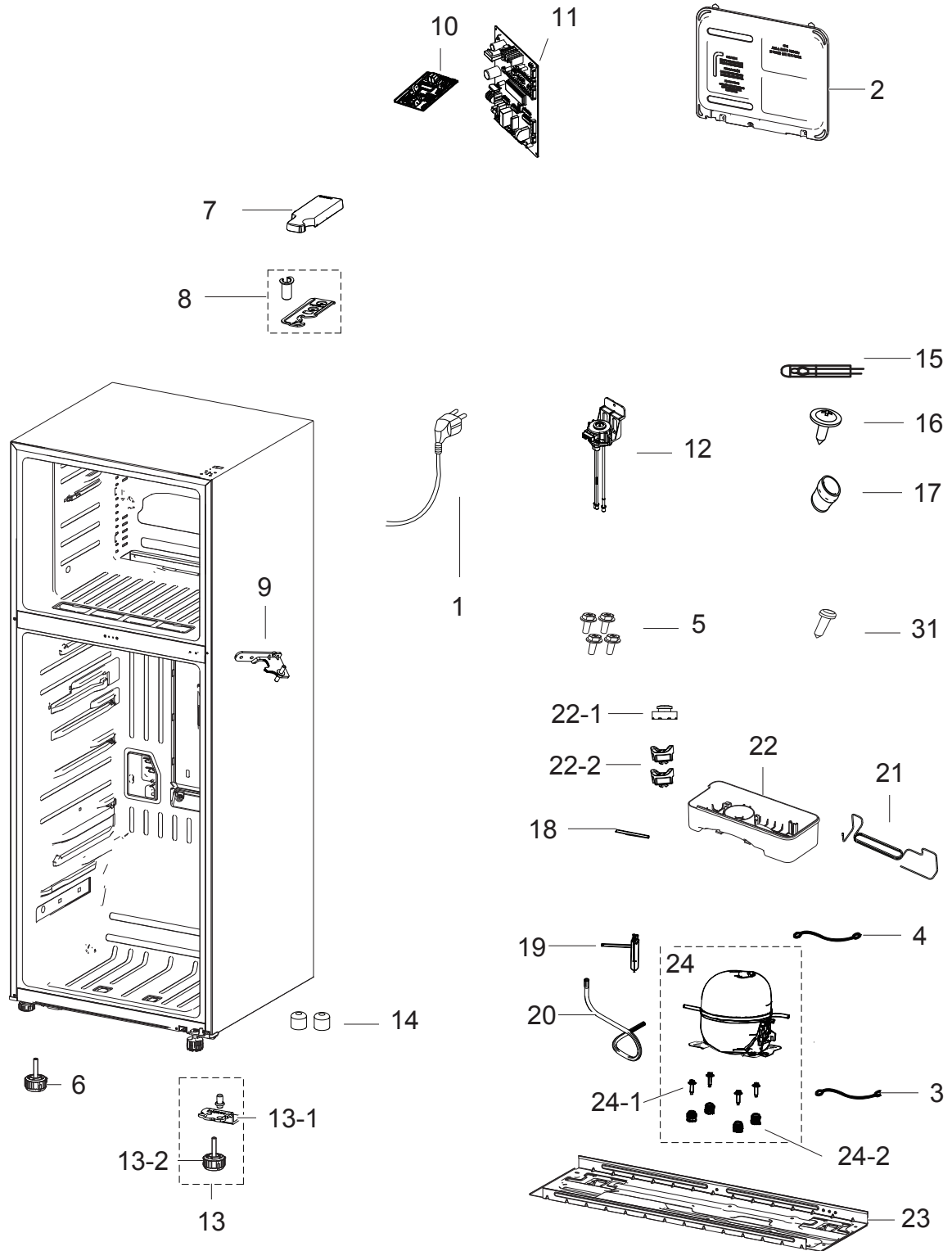
EXPLODED VIEW

3. DOORS

No.	MATERIAL CODE	PART NAME	SPECIFICATION	QTY	STATUS
1	DA90-09655S	ASSY DOOR FRE	RT38,DISPLAY,EZ CLEAN STEE	1	SNA
1-1	DA91-03995N	ASSY DOOR FOAM-FRE	RT38,SL,RECESS,DISPLA	1	SA
1-2	DA67-04247A	CAP DOOR-FRE LOW	RT5000K,ABS,HB,HG-0760G	1	SNA
1-3	DA64-04020A	MASCOT	ALL,Ni,T0.06,L80	1	SA
1-4	DA66-01008B	LEVER-AUTO CLOSE FRE	3050PJ,POM,I BLACK	1	SA
2	DA97-13594K	ASSY-GASKET DOOR FRE	RT35/38,3050,GASKET	1	SA
3	DA97-16163G	ASSY COVER CONTROL	RT5000K,VACATION	1	SA
3-1	DA92-00464K	ASSY MODULE	MATRIX,RT6000K,WHITE LED, 11	1	SNA
3-2	DA63-07296C	COVER-CONTROL	3050PJT,HIPS,NATURAL	1	SA
4	DA90-07973J	ASSY DOOR REF	RT38,C/STEEL,SL,RECESS,SNI	1	SNA
4-1	DA91-03970G	ASSY DOOR FOAM-REF	380,SL, RECESS, SNIPE	1	SA
4-2	DA66-01009A	LEVER-AUTO CLOSE REF	3050PJ,POM,NATURAL	1	SA
4-3	DA62-01701A	VALVE	MT-PJT,SILICON,-,-,-,-	1	SA
5	DA97-13594L	ASSY-GASKET DOOR REF	RT38,3050,GASKET-SE	1	SA
6	DA97-13003A	ASSY COVER DISPENSER	MT12,ABS,169.6,57.8	1	SA
6-1	DA61-05708A	SPRING ETC-LEVER	NW2-FDR,STS304WPB,D 7.9	1	SA
7	DA66-00986A	LEVER-DISPENSER	MT12,PC,NATURAL	1	SNA
8	DA63-07389A	GUARD-FRE	3050,GPPS,-,TP BLUE,380	2	SA
9	DA63-07346A	TRAY EGG	3050,GPPS,-,HB,TP BLUE,165N,HI-	2	SA
10	DA63-07391A	GUARD-VARIETY L	3050,GPPS,T3.0,TP BLUE,3	1	SA
11	DA63-07392A	GUARD-VARIETY R	3050,GPPS,T3.0,TP BLUE,3	1	SA
12	DA63-07387A	GUARD-BOTTLE	3050,GPPS,T3.0,TP BLUE,380	1	SA
13	DA67-03565A	CAP-COCK	MT12,PP,T1.0,W60,L60,BJ730,COOL	1	SA
14	DA97-15914A	ASSY TANK WATER	RT35_38 SNIPER,DISPENSER	1	SA
14-1	DA61-04445A	SPRING ETC-WATER TANK	MT-PJT,SK5	2	SA
14-2	DA63-08192A	COVER WATER TANK	3050 RT35,PE,T2.5,HB,CO	1	SNA
14-3	DA67-01215C	CAP-WATER TANK	MAX3-PJT,PP,SC-02740R COO	1	SA
14-4	DA67-04078A	TANK WATER	3050 RT35,PP,NATURAL,DISPENSE	1	SNA
14-5	DA97-11229A	ASSY-COCK DISPENSER	TWIN, MT, TD09, NW2-	1	SA

EXPLODED VIEW

4. CABINET



EXPLODED VIEW

3. CABINET

No.	MATERIAL CODE	PART NAME	SPECIFICATION	QTY	STATUS
1	3903-000796	CBF-POWER CORD	AT,U.S.A,CANADA,US3F-1,3C	1	SA
2	DA97-13545A	ASSY COVER-PCB PANEL	2.9032E+14	1	SA
3	DA39-20389E	ASSY WIRE HARNESS-EARTH	ALL,FREE VOLT,UL	1	SA
4	DA39-20389A	ASSY WIRE HARNESS-EARTH	ALL,FREE VOLT,UL	1	SA
5	6011-001546	BOLT-HEX	M5(P0.8),L16,ZPC(WHT),SWRCH18A,	4	SNA
6	DA61-00805E	FOOT-FRONT	ARAM-PJT,PP,BLACK	1	SA
7	DA63-07382A	COVER-HINGE UPP	3050PJ,PP,HB,BJ750,INOX	1	SA
8	DA97-13610A	ASSY HINGE UPP	3050PJ,T2.0,380/350	1	SA
9	DA97-13611A	ASSY HINGE MID	3050PJ,T3.2,380/350	1	SA
10	DA92-00459Q	ASSY PCB INVERTER	INVERTER,RT5000,148*98	1	SA
11	DA92-00756P	ASSY PCB MAIN	TWIN COOLING,RT5000K,160*1	1	SA
12	DA62-04678A	VALVE STEP	DC12V,MODULE,2WAY,STRAIGHT/ST	1	SA
13	DA97-14264B	ASSY HINGE-LOW	3050PJ,RT35/38	1	SA
13-1	DA61-08982A	HINGE-LOW	3050PJ,PO-SPHC,T4.0,350/380	1	SNA
13-2	DA61-00805E	FOOT-FRONT	ARAM-PJT,PP,BLACK	1	SA
14	DA73-00211A	RUBBER-CAP HOSE	i4-PJT,SILICON,GRAY	2	SA
15	DA32-10105F	SENSOR TEMP	502AT,PX-41C,DKST1329GW,ACE,	1	SA
16	6006-001083	SCREW-TAPPING	PWH,+,PW,1,M4,L16,ZPC(WHT)	1	SNA
17	DA60-00279A	FITTING-LOKRING 16	SUM23,16	1	SA
18	DA62-00314C	PIPE-CONNECT	MAX-PJT,C1220T-0,-,OD6.35,L	1	SA
19	DA62-04309A	DRYER	C1220T-H,137,SINGLE MOUTH,15.8,9g	1	SA
20	DA62-04154A	PIPE CONNECT-SUCTION	3050-PJT,Cu,OD6.35,	1	SA
21	DA97-16549A	ASSY PIPE IMMERSING	RT6000K,-	1	SA
22	DA97-16550B	ASSY TRAY DRAIN WATER	RT5000K,SKD	1	SNA
22-1	DA63-02325A	GROMMET-STEP-VALVE-UP	HNR2213/15/17/20,N	1	SNA
22-2	DA63-08036A	GROMMET-LOW	3050-1,2,NBR,BLACK	2	SNA
23	DA97-13451A	ASSY CHASSIS COMP	3050-PJT,T0.8,RT38	1	SA
24	NC4AV80ALR/TT3	COMPRESSOR	CMP,COMP,REFRIGERATOR,R600A	1	-
24-1	6011-001546	BOLT-HEX	M5(P0.8),L16,ZPC(WHT),SWRCH18A,	4	-
24-2	DA63-02617A	GROMMET COMP	USP05,EPDM,OD27.0,BLACK	4	-