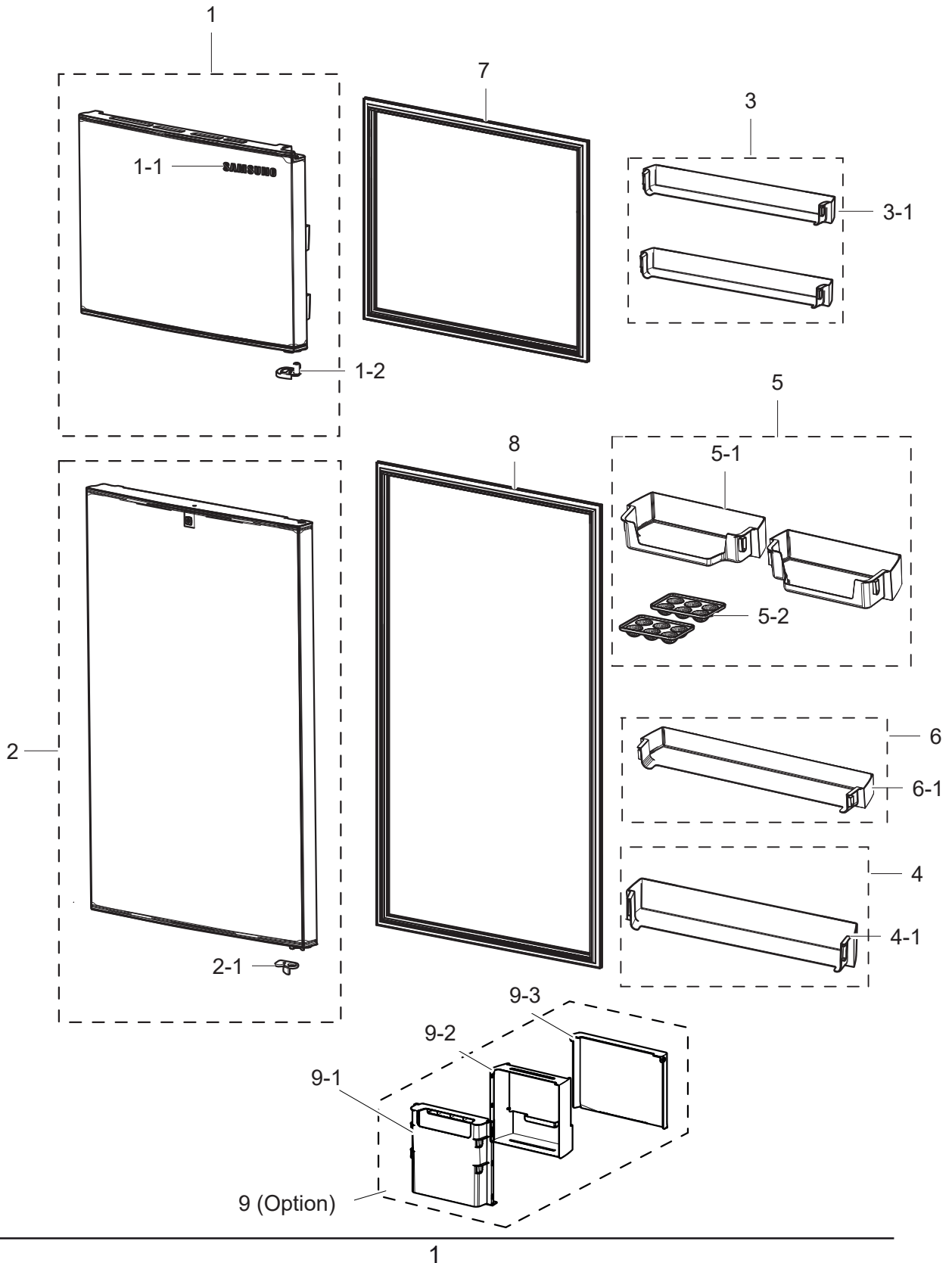


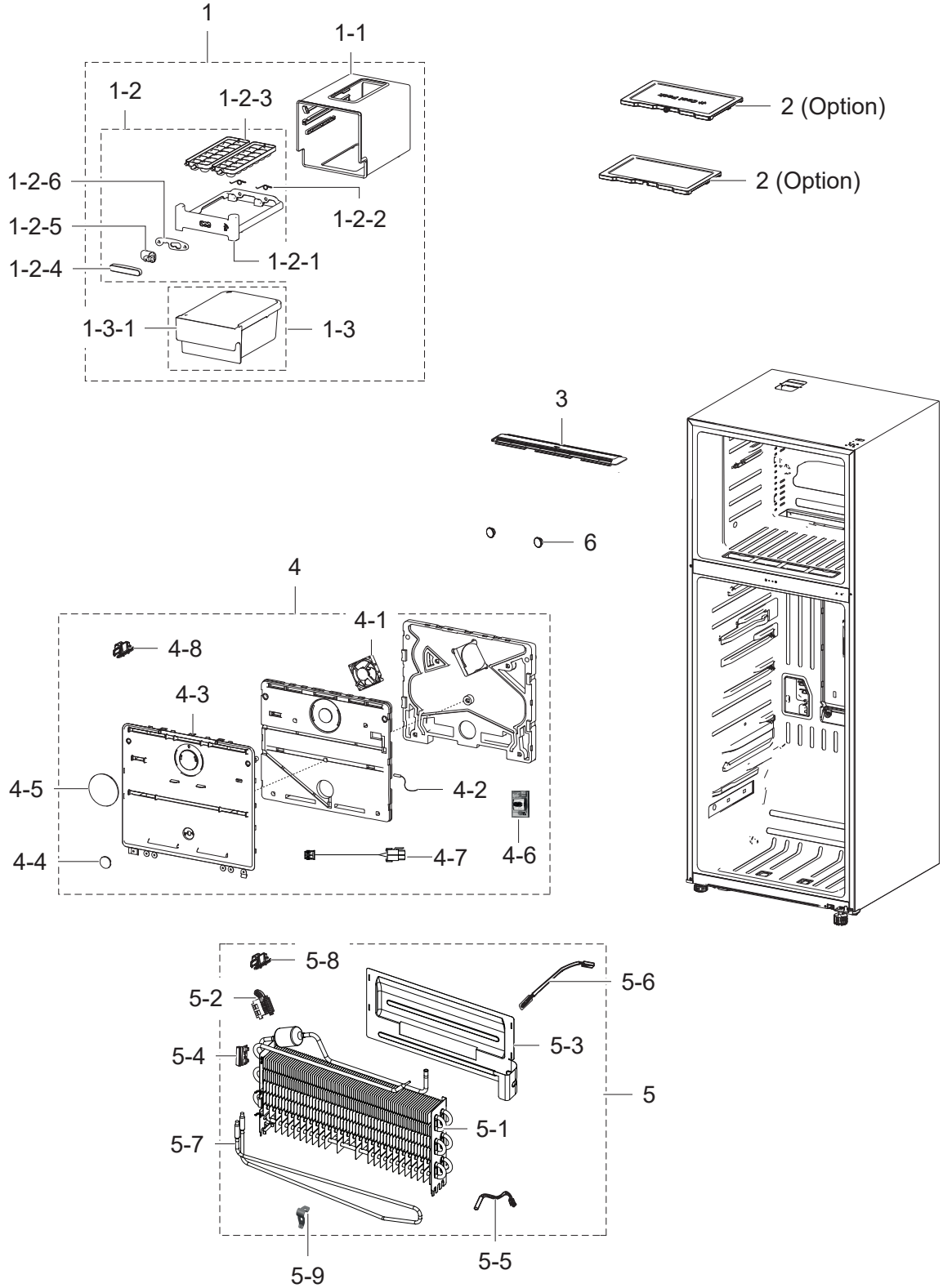
Door compartment



PART LIST OF DOOR : RT29K5030WW/ES

No.	Code No.	Lvl.	Loc.	Description	Specification	Qty	SA/SNA
1	DA91-03959R	2	A0051	ASSY DOOR FOAM FRE	290,WW,RECESS	1	SA
1-1	DA64-04020A	3	M0196	MASCOT	ALL,Ni	1	SA
1-2	DA66-01008A	4	-	LEVER-AUTO CLOSE FRE	3050PJ,PK,M33R3A000	1	SA
2	DA91-03958R	2	A0052	ASSY DOOR FOAM REF	3050 DOOR REF,290,WW,	1	SA
2-1	DA66-01009A	4	-	LEVER-AUTO CLOSE REF	3050PJ,PK,M33R3A000	1	SA
3-1	DA63-07342A	2	A0711	GUARD-FRE	3050,GPPS,TP BLUE	2	SA
4-1	DA63-07345A	2	A0151	GUARD BOTTLE	3050,GPPS,T2.5,TP BLUE	1	SA
5	DA97-19012C	2	-	ASSY GUARD VARIETY	RT29/32,GUARD VARIETY	1	SA
5-1	DA63-07344A	2	A0153	GUARD VARIETY	3050,GPPS,T2.5,TP BLUE	1	SA
5-2	DA63-07346A	3	A0656	TRAY EGG	3050,GPPS,HB,TP BLUE,165N,HI-IN	2	SA
6	DA90-07948E	1	A0166	ASSY GUARD	320,290 (TSE),6th- A,D,G,8th-	1	SNA
6-1	DA63-07343A	2	A0712	GUARD-EGG	3050,GPPS,T3,TP BLUE	1	SA
7	DA97-13594N	2	-	ASSY-GASKET DOOR FRE	RT29/32,3050,GASKET	1	SA
8	DA97-13594Q	2	-	ASSY-GASKET DOOR REF	RT29,3050,GASKET-SE	1	SA

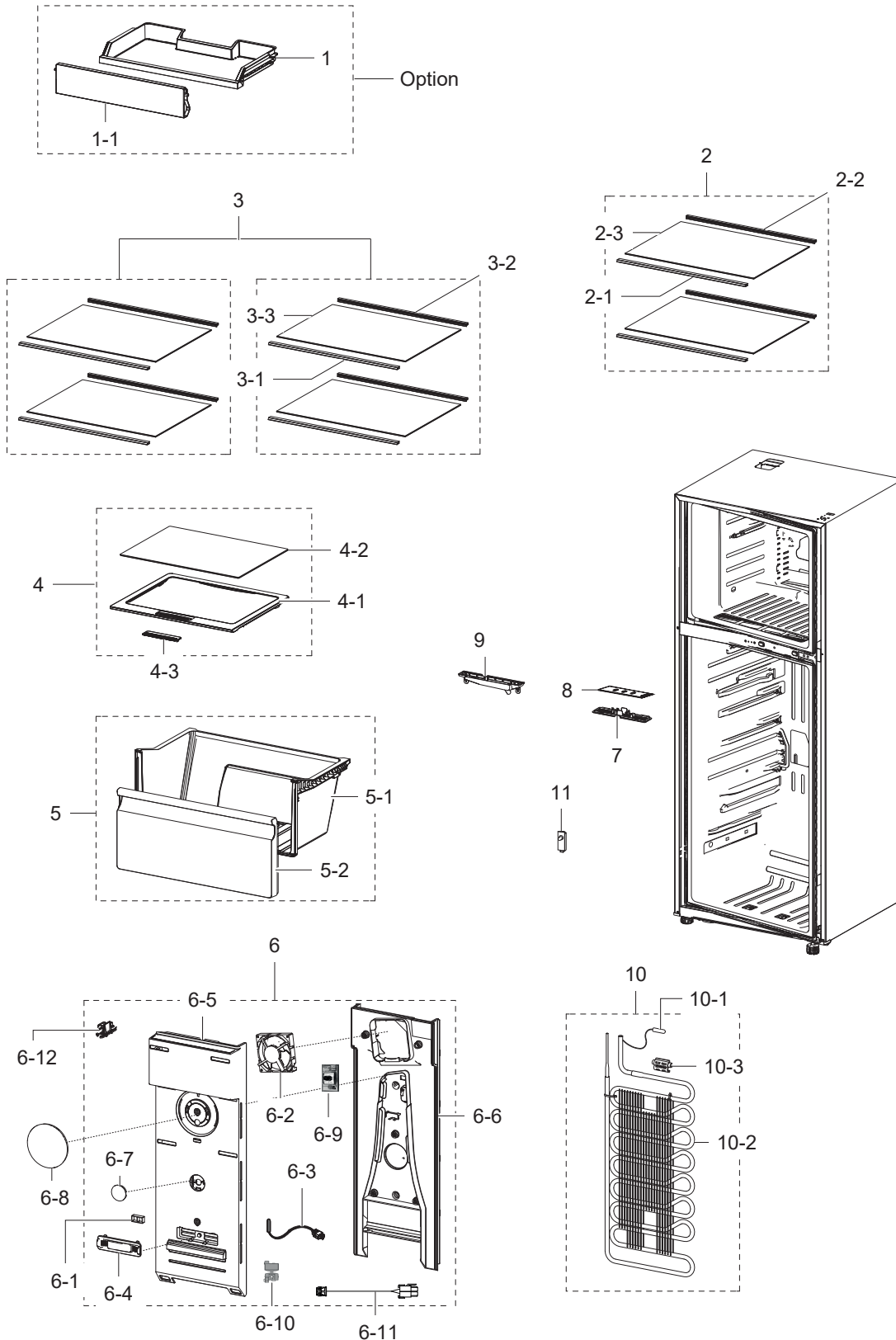
Freezing compartment



PART LIST OF FREEZER : RT29K5030WW/ES

No.	Code No.	Lvl.	Loc.	Description	Specification	Qty	SA/SNA
1	DA90-09668B	1	A0104	ASSY ICE MAKER	RT32/29,220V,TWIST,Plasti	1	SNA
1-1	DA61-10831A	3	-	SUPPORT ICE MAKER	RT7000K,HIPS,S834S1,CO	1	SA
1-2	DA97-13501A	3	A0105	ASSY TRAY ICE	RT32/29/25/22,COOL,2 TWIST	1	SA
1-2-1	DA61-08907A	4	A0718	CASE-TRAY ICE	RT38/35/32/29,2TWIST,PP,CO	1	SA
1-2-2	DA61-20136A	4	-	SPRING ETC-ICE MAKER	SR-53EA,STS304,COIL	2	SA
1-2-3	DA63-07337A	4	A0120	TRAY ICE	3050,TMF,PP,T1,COOL WHITE,14P	2	SA
1-2-4	DA64-04461A	4	A0118	KNOB-TRAY ICE	3050 TMF,ABS,2.0,COOL WHTI	1	SA
1-2-5	DA66-01003A	4	-	LEVER-TRAY ICE KNOB	3050,TMF,PA66,NTR	1	SA
1-2-6	DA66-01006A	4	M0434	LEVER-TRAY ICE	RT320,POM,K300,NATURAL	1	SA
1-3	DA97-13501A	3	A0105	ASSY TRAY ICE	RT7000,TRAY ICE-CUBE,GPPS,	1	SA
1-3-1	DA63-07331C	4	-	TRAY ICE-CUBE	RT5/6/7000K,RT4500,GPPS,HB	1	SA
2	DA67-03653A	2	M0019	SHELF FRE	RT32/29,GPPS,T3.5,14,TP BLUE	1	SA
3	DA63-07332A	2	A0756	COVER-AIR FRE	RT32/29/25/22,PP,T1.5,COOL	1	SA
4	DA97-16251L	2	M0303	ASSY COVER EVAP-FRE	RT5000K,RT29/32,ICON	1	SA
4-1	DA31-00338A	3	-	MOTOR BLDC FAN	U92C12MS1B3-52K,3115.5-35	1	SA
4-2	DA32-00070A	3	A1018	SENSOR TEMP	SC41198-021A,900mm,13.2kohm	1	SA
4-3	DA63-08321G	3	-	COVER EVAP-FRE	RT5000K,PP,HB,COOL WHITE,	1	SNA
4-4	DA64-04412A	3	A0760	KNOB-DIAL	3050,HIPS,COOL WHITE,TMF	1	SA
4-5	DA63-08326B	3	-	COVER-TWIN COOLING	GPPS,HB,GENTLE BLUE,S	1	SNA
4-6	DA41-00471B	3	A0746	ASSY MODULE	SUB PBA,MAX3,ROTARY S/W	1	SA
4-7	DA96-00391K	3	-	ASSY WIRE HARNESS-ROTARY	RT6000K,ROTARY,	1	SA
4-8	DA61-11032A	3	-	FIXER	RT5000K,PA66,WHITE,KN3322VO,	1	SA
5	DA96-01007Y	2	A0163	ASSY EVAP-FRE	RT5000K_RT29,32,Fin Tube,2	1	SA
5-1	DA59-00553C	3	-	EVAPORATOR-FRE	Fin Tube,RT5000K_RT29,32,	1	SNA
5-2	DA61-00603A	3	T0066	FIXER SENSOR	n-PJT,PP,T2,NATURAL,HB,BJ75	1	SA
5-3	DA61-08938A	4	-	PLATE-EVAP R	3050,Al,T0.6	1	SNA
5-4	DA61-07411A	3	A0744	FIXER-FUSE	NW2,PP,NATURAL,BJ750	1	SA
5-5	DA32-00066B	3	A1018	SENSOR TEMP	SC41198-021A,900mm,13.2kohm	1	SA
5-6	DA47-00301D	3	A1008	THERMO FUSE-ASSY	AC250V,10A,109~110°C,S.O	1	SA
5-7	DA47-00507C	3	-	HEATER METAL SHEATH	AC230V,3050 TMF, 480	1	SA
5-8	DA61-07410A	3	G0205	FIXER-HEATER FRE	NW2,PP,NATURAL,BJ750	2	SA
6	DA67-30266K	2	A0270	CAP SCREW	A-TOP,PP,T1.5,HB,BJ750,COOL WH	3	SA

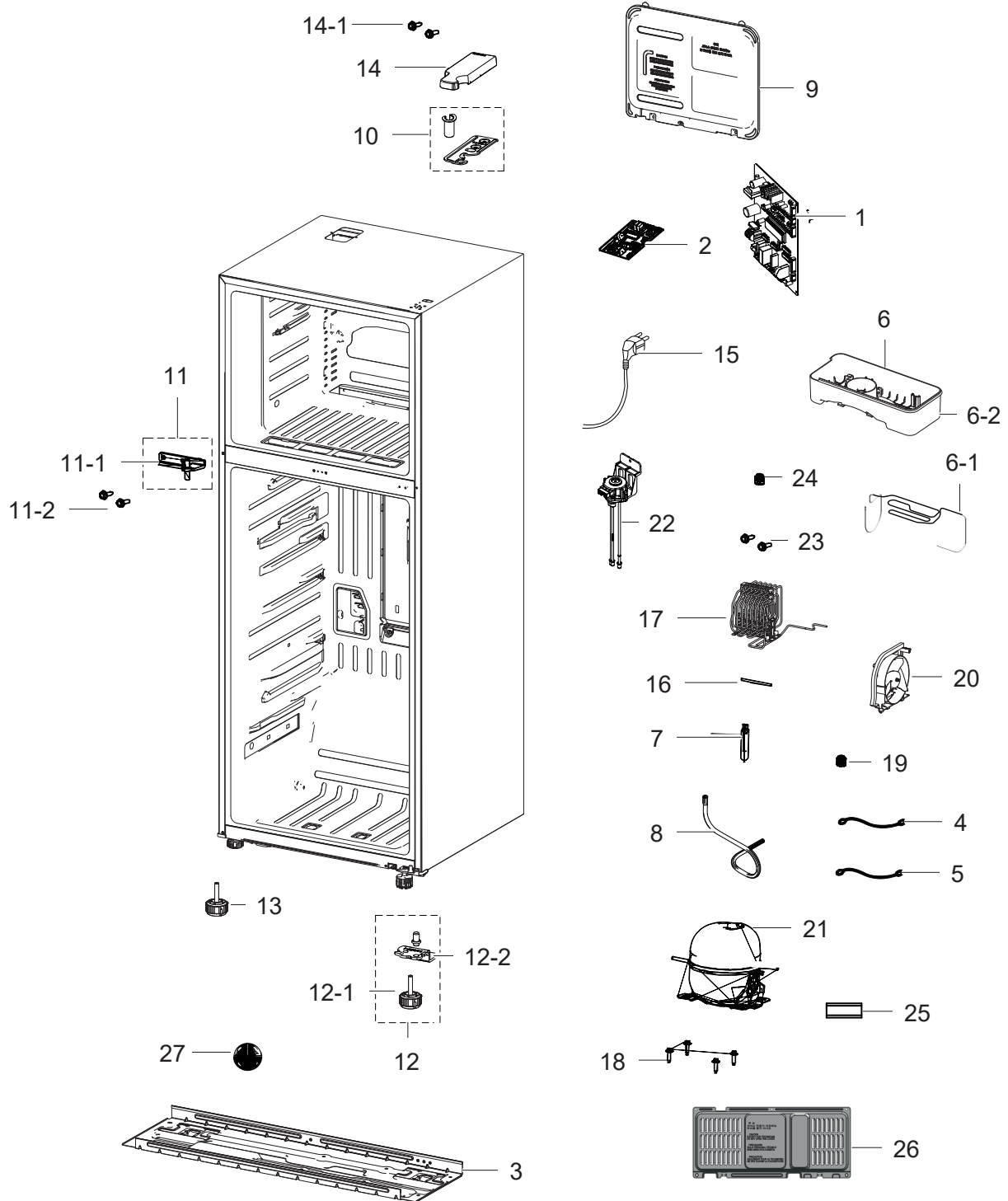
Fridge compartment



PART LIST OF FRIDGE : RT29K5030WW/ES

No.	Code No.	Lvl.	Loc.	Description	Specification	Qty	SA/SNA
1	DA63-08329A	2	-	TRAY CHILLED ROOM	RT32,GPPS,T2.5,HB,TP B	1	SA
2	DA63-07360C	2	-	COVER TRAY-CHILLED	RT32/29,GPPS,T2.5,HB,	1	SA
3	DA97-16288C	2	-	ASSY SHELF GLASS-REF	RT5000K,RT32/29,Las	2	SA
3-1	DA64-04392A	3	-	TRIM SHELF-FRONT	RT320,ABS,SV-0157,COOL	2	SNA
3-2	DA64-05866A	3	-	TRIM SHELF-REAR	RT32,ABS,SV-0157,COOL WH	2	SNA
3-3	DA64-04994A	3	-	GLASS-SHELF REF	RT5000_32/29,GLASS,T3.2,	2	SNA
4	DA97-13460F	2	A0181	ASSY COVER VEG	RT5000K	1	SA
4-1	DA63-07361A	3	A0210	COVER VEG	3050,HIPS,T2.5,COOL WHITE	1	SNA
4-2	DA67-03645G	3	-	GLASS-COVER VEG	482.3x352mm,T3.2,RT320/2	1	SNA
5	DA97-13457A	2	M0236	ASSY CASE-VEG LOW	3050(RT320),T2.5,COOL	1	SA
5-1	DA61-08918A	3	M0268	CASE-VEG LOW	3050,PP,COOL WHITE,COOL WHI	1	SNA
6	DA97-18819E	2	Z1177	ASSY COVER EVAP-REF	RT5000K,RT29/32/35/3	1	SA
6-1	DA02-00216B	3	-	CATALYST-DEODORIZER	T10,W15,L30,3050 TMF	1	SA
6-2	DA31-00338A	3	-	MOTOR BLDC FAN	U92C12MS1B3-52K,3115.5-35	1	SA
6-3	DA32-00070B	3	A1018	SENSOR TEMP	SC41198-021A,900mm,13.2kohm	1	SA
6-4	DA63-07423A	3	-	COVER-DEODORIZER	3050,PP,COOL WHITE,SCRE	1	SA
6-5	DA63-08322G	3	-	COVER EVAP-REF A	RT5000K,PP,HB,COOL WHIT	1	SNA
6-6	DA63-08323C	3	-	COVER EVAP-REF B	RT29/32/35/38,PP,HB,NAT	1	SNA
6-7	DA64-04412A	3	A0760	KNOB-DIAL	3050,HIPS,COOL WHITE,TMF	1	SA
6-8	DA63-08326B	3	-	COVER-TWIN COOLING	GPPS,HB,GENTLE BLUE,S	1	SNA
6-9	DA41-00471B	3	A0746	ASSY MODULE	SUB PBA,MAX3,ROTARY S/W	1	SA
6-10	DA61-11288A	3	-	CASE CONTROL	RT6000K,PP,NATURAL	1	SA
6-11	DA96-00391K	3	-	ASSY WIRE HARNESS-ROTARY	RT6000K,ROTARY,	1	SA
6-12	DA61-11032A	3	-	FIXER	RT5000K,PA66,WHITE,KN3322VO,	1	SA
7	DA63-07368A	2	A0280	COVER LAMP	3050,GPPS,T2,TP BLUE	1	SA
8	DA41-00519R	2	G0090	ASSY LAMP LED	3ea,CEM-1,65*10*1.6T,WHITE	1	SA
9	DA61-10876C	2	-	PLATE DRAIN-REF	RT7000K,HIPS,T1.5,NATURA	1	SNA
10	DA96-01230A	2	A0184	ASSY EVAP-REF	RT5000K,BARE TUBE,AL	1	SA
10-1	DA32-00070C	3	A1018	SENSOR TEMP	SC41198-021A,900mm,13.2kohm	1	SA
10-2	DA59-00606A	3	-	EVAPORATOR-REF	Fin Tube,RT5000K,1,AL,7,B	1	SNA
10-3	DA61-00453A	3	A0743	FIXER-SENSOR	A-TOP,EVAP,PP,NATURAL,BJ750	1	SA
11	DA34-10121C	2	M0379	SWITCH DOOR	AC125V/250V,1.5/0.75,1BUTTON	1	SA

Cabinet compartment



PART LIST OF CABINET : RT29K5030WW/ES

No.	Code No.	Lvl.	Loc.	Description	Specification	Qty	SA/SNA
1	DA92-01281M	1	A0952	ASSY PCB MAIN	TWIN COOLING,RT5000K,160*1	1	SA
3	DA97-13450A	2	A0526	ASSY CHASSIS COMP	3050-PJT,RT32,-,T0.8,-	1	SA
4	DA39-20389A	2	A0562	ASSY WIRE HARNESS-EARTH	EARTH,ALL,,,,,FR	2	SA
5	DA39-20389A	2	A0562	ASSY WIRE HARNESS-EARTH	EARTH,ALL,,,,,FR	2	SA
6	DA97-19114B	2	A0529	ASSY TRAY DRAIN WATER	3050-1 , S3 Comp	1	SA
6-1	DA97-19113C	3	-	ASSY PIPE IMMERSING	3050-1 , S3 COMP,-,-	1	SA
6-2	DA63-09177A	3	-	TRAY DRAIN-WATER	RT5/6000K,PP,BLACK	1	SA
7	DA62-04309A	2	A0669	DRYER	C1220T-H,L137,SINGLE MOUTH,Fo	1	SA
9	DA97-16238B	2	-	ASSY COVER PCB-MAIN	RT7000K,1 BOARD	1	SA
10	DA97-13613A	2	A0705	ASSY HINGE UPP	3050PJ,T2.0,320/290/250/2	1	SA
11	DA97-13614A	2	A0513	ASSY HINGE MID	3050PJ,T3.2,320/290/250/2	1	SA
11-1	DA61-08926A	3	A0831	HINGE-MID	3050PJ,PO-SPHC,T3.2	1	SNA
11-2	6002-000215	4	G0412	SCREW-TAPPING	TH,+ ,1,M4,L16,ZPC(WHT),SWR	1	SNA
12	DA97-14264A	2	M0344	ASSY HINGE-LOW	3050PJ,320/290/250/220	1	SA
12-1	DA61-00805E	3	A0577	FOOT-FRONT	ARAM-PJT,PP,BLACK,0103-007539	1	SA
12-2	DA61-08927A	3	A0247	HINGE-LOW	3050PJ,PO-SPHC,T4	1	SNA
13	DA61-00805E	3	A0577	FOOT-FRONT	ARAM-PJT,PP,BLACK,0103-007539	1	SA
14	DA63-07349B	2	M0360	COVER-HINGE UPP	3050PJ,PP,T1.5,SNOW WHIT	1	SA
14-1	6002-001122	4	G0412	SCREW-TAPPING	TH,+ ,1,M4,L16,ZPC(WHT),SWR	1	SC
15	3903-001011	2	A0273	POWER CORD-AT	H05VV-F 3x0.75mm2,BLK,EU3F	1	SA
16	DA73-00199C	2	-	PIPE CONNECT	RT5/6/7000K,Cu,OD6.35,T0.6,	1	SA
18	6011-001546	2	A0564	BOLT-HEX	M5(P0.8),L16,ZPC(WHT),HWH,+ ,S	2	SA
19	DA63-40171B	3	M0333	GROMMET-SUCT PIPE A	NBR,ID4,OD20	1	SC
21	NI34N9802ADTT3	2	-	CMP,COMP,REFRIGERATOR,R600A	0	1	0
22	DA62-04678A	2	-	VALVE STEP	DC12V,MODULE,2WAY,STRAIGHT/	1	SA
23	6002-000613	4	G0412	SCREW-TAPPING	TH,+ ,- ,2,M5,L16,ZPC(WHT),S	4	SA
24	DA63-04555A	3	-	GROMMET-STEP VALVE	Cullinan,NBR,BLACK	1	SNA
25	DA62-00960A	2	-	SEAL CUTT-RUBBER	RT5000K,RUBBER,BLACK,T3	2	SA
27	DA63-03809A	2	M0158	COVER-URETHANE	AW-PJT,ABS,BLACK,5VA	1	SA