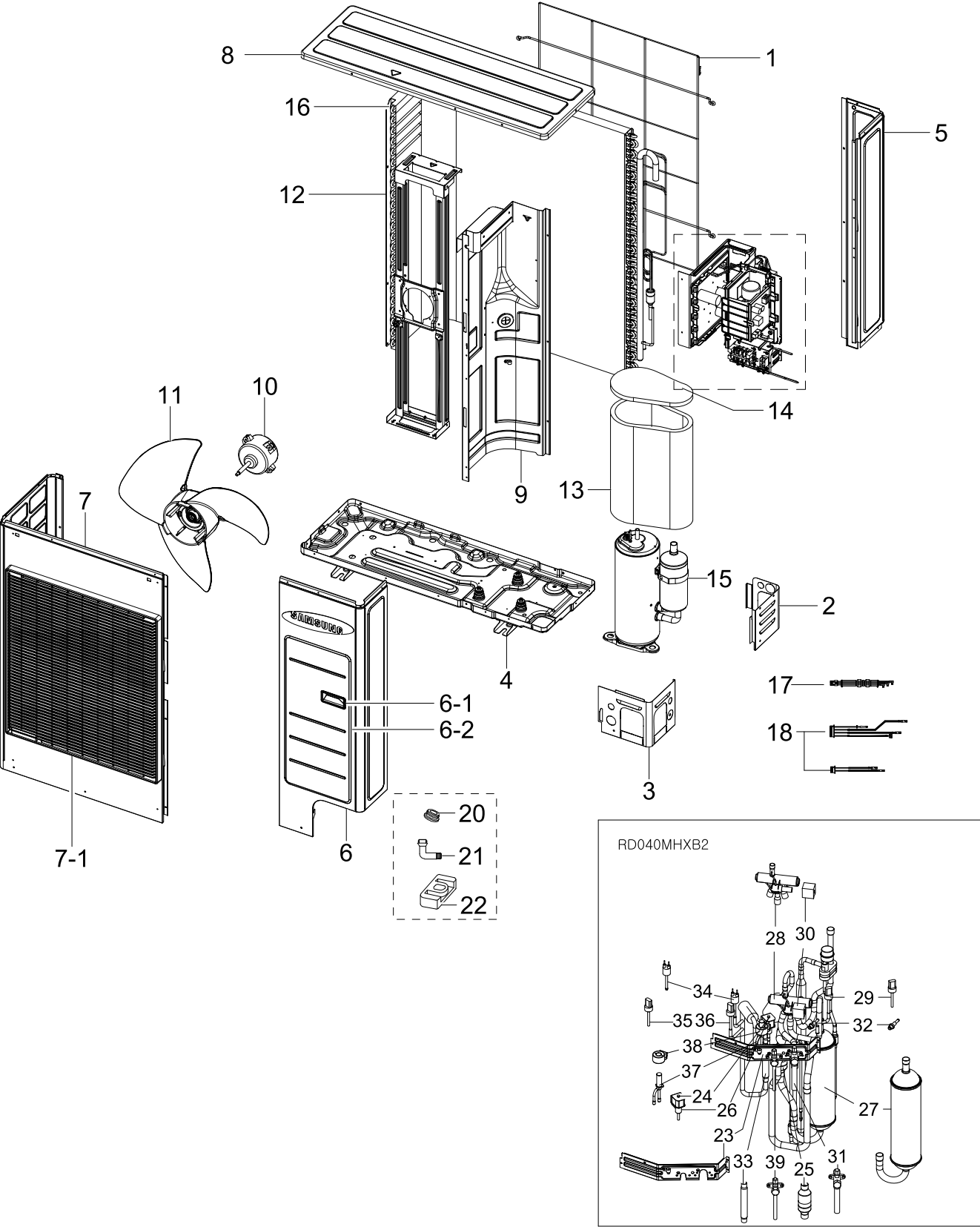


1. RD040MHB2_SET

Exploded View



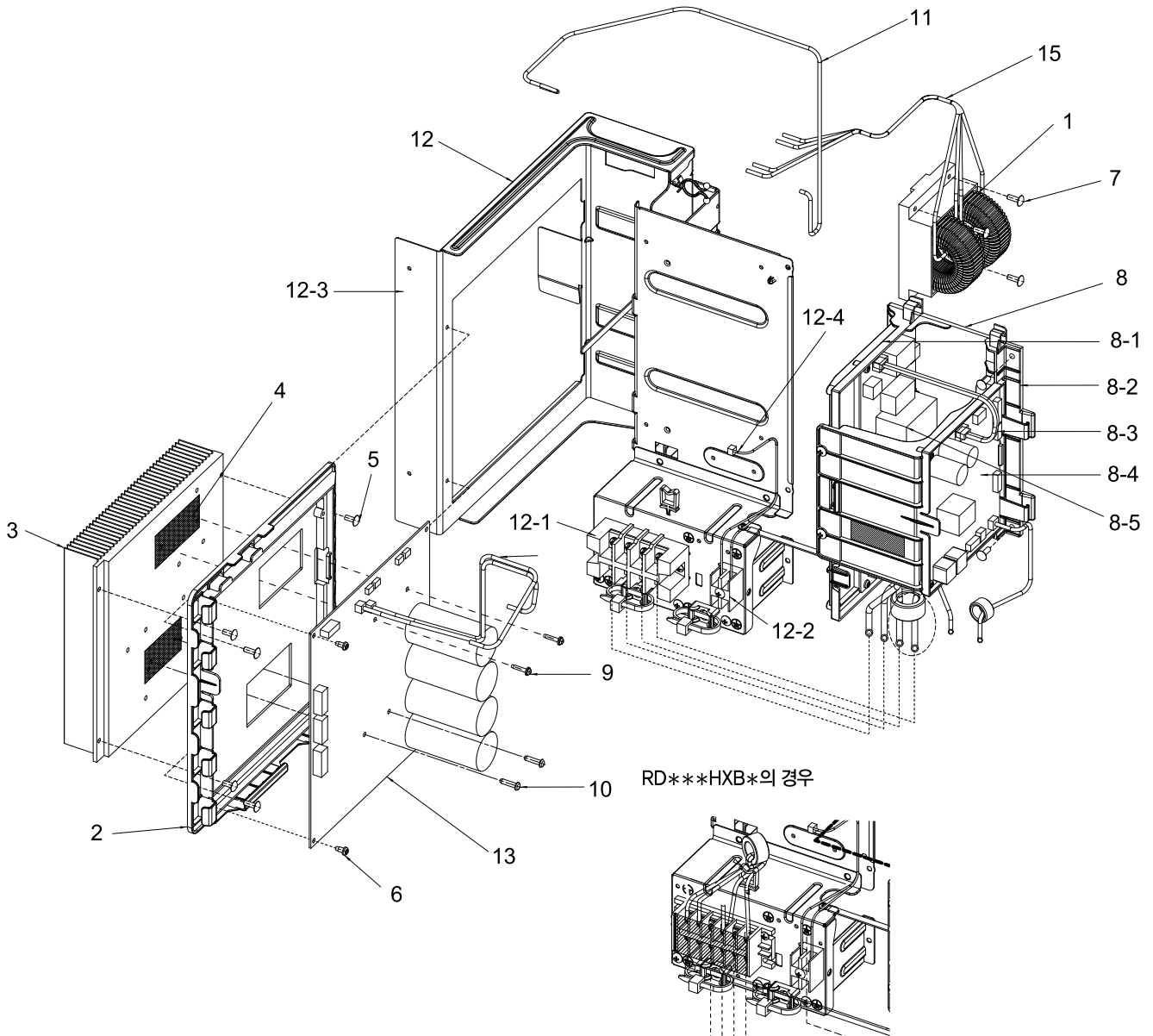
Parts List

No.	Parent	Lvl.	Loc.	Material Code	Description & Specification	SNA	Qty.
1	DB90-06803A	2		DB63-02730A	GUARD COND; RC100DHXEA,MSWR-6B,TOUCH GRAY	SA	1
2	DB90-06803A	2	Z0148	DB64-02525A	CABINET-INSTALL BACK; RC100ZHXEAE,EGI,T0.7	SA	1
3	DB90-06803A	2	Z0149	DB64-02526A	CABINET-INSTALL FRONT; RC100ZHXEAE,EGI,T0.	SA	1
4	DB90-06803A	2	A0092	DB90-05873B	ASSY BASE OUT; MAN-U,SEAL-ADD	SA	1
5	DB90-06803A	2	A2609	DB90-05903B	ASSY CABI BACK-RH; RC100DHXEA,ManU	SA	1
6	DB90-06803A	2	A0173	DB90-05904B	ASSY CABI FRONT RH; RC100DHXEA,ManU	SA	1
6-1	DB90-05904B	3	Z0151	DB64-02613A	HANDLE; PP,T2.5,SC-90073R,heat-resistant,	SA	1
6-2	DB90-05904B	3		DB63-03057C	FELT-CABI FRONT A; GLOBAL 4WAY CST,FELT,1	SNA	1
7	DB90-06803A	2	A2620	DB90-05971B	ASSY CABI FRONT-LF; RC100DHXEA,ManU	SA	1
7-1	DB90-05971B	3	G0153	DB63-02728A	GUARD FAN; RC100ZHXEAE,PP,T2.5,580.0,672.2	SA	1
8	DB90-06803A	2	A0212	DB90-05902A	ASSY CABINET-TOP; RC100PHXEA,ManU	SA	1
9	DB90-06803A	2	A1748	DB94-02720D	ASSY PARTITION; RD040MHXB2,DVM MINI2	SNA	1
10	DB94-03102A	2	M0039	DB31-00579A	MOTOR FAN; DAO335130ZRC/SEC,130W,900RPM,D	SA	1
11	DB94-03102A	2		DB94-03277B	ASSY FAN-PROPELLER; MAN-U,520 PI, NATURAL	SA	1
12	DB94-03102A	2	A2803	DB90-05918B	ASSY BRACKET MOTOR; RC100DHXEA,R410A	SA	1
13	DB95-04861A	2		DB63-03060A	CLOTH-COMP SOUND; DVM MINI,FELT,11.5,700,	SNA	1
14	DB95-04861A	2		DB63-03061A	CLOTH-COMP TOP; DVM MINI,FELT,11.5,270,17	SNA	1
15	DB95-04861A	2		UG5T450FUEJXSG	RCP,55,F,R410A; RCP,55,F,R410A		1
16	DB96-15758A	2	A2501	DB96-15741A	ASSY COND OUT-BENDING; RD040MHXB2,HP	SA	1
17	DB93-11855A	2	A0630	DB93-08235E	ASSY CONNECTOR WIRE-COMP; RC100DHXEA, UB1	SA	1
18	DB93-11855A	2		DB95-04871A	ASSY THERMISTOR OUT-SUB OUT; DVM MINI,MAI	SA	1
20	DB97-05328D	3	Z0165	DB63-10355C	CAP-DRAIN; -,CR,T2,-,-,-,BLK,ASH-1814ER	SA	3
21	DB97-05328D	3	D0116	DB67-00806A	DRAIN-PLUG OUT; UH140GAV,PP,1,WHITE,INVER	SA	1

No.	Parent	Lvl.	Loc.	Material Code	Description & Specification	SNA	Qty.
22	DB97-05328D	3	Z0166	DB73-20134A	RUBBER-LEG; NBR,BLACK	SA	4
23	DB96-16238A	3		DB90-05874B	ASSY BRACKET-VALVE; RC100PHXEA,ManU	SA	1
24	DB96-15754A	4	S0094	DB33-00069A	SOLENOID VALVE-BODY; -,FDF2A-265-RK,-,-,t	SA	1
25	DB96-15754A	4	T0128	DB62-00626D	TUBE-FILTER; MUF-1111,C1220T-0,-,-,-,CD	SA	1
26	DB96-15754A	4		DB95-04843A	ASSY-SOLENOIDE COIL; DVM MINI,4,5HP	SA	1
27	DB96-15754A	4	A0316	DB96-14716A	ASSY-ACCUMULATOR; RC100PHXEA,1600CC	SA	1
28	DB96-16229A	4	V0010	DB62-02838A	VALVE-4WAY; UH105GZMC,-,-,-,-,ssec	SA	1
29	DB96-16229A	4		DB95-01469T	ASSY SENSOR-LOW PRESSURE; RD060MHXB2,DVM	SA	1
30	DB96-16229A	4	A2106	DB96-03205G	ASSY-SOLENOID COIL; RD040MHXB2,DVM MINI2	SA	1
31	DB96-16229A	4	A2040	DB96-15862B	ASSY-SERVICE VALVE; DVM mini2,3/8", K-ty	SA	1
32	DB96-16229A	4	A3106	DB98-23795A	ASSY-CHARGING PORT; HP,10HP,DVM PLUS 2	SA	1
33	DB96-16231A	4	V0020	DB62-06190B	VALVE CHECK; RVXIH050EAXIA,C3604,1/2",0~	SA	1
34	DB96-16231A	4	A2226	DB95-00500N	ASSY-SWITCH PRESSURE; RD050MHXH2,4,5HP	SA	1
35	DB96-16231A	4		DB95-01549N	ASSY-HIGH PRESSURE COIL; RD050MHXH2,4,5HP	SA	1
36	DB95-01549N	5	S0030	DB32-00194B	SENSOR-HIGH PRESSURE; NSK-BD050D,DC5V,10m	SA	1
37	DB96-16239A	4	V0001	DB62-04064A	VALVE EXPAN-BODY; DPF(Q)1.3C-01-RK(E),-,5	SA	1
38	DB96-13204J	5	V0001	DB62-04067A	VALVE-EXPANSION COIL; QA(M)12-RL-05A-RK(E)	SA	1
39	DB96-16239A	4	A2040	DB96-15862C	ASSY-SERVICE VALVE; DVM mini2,5/8", K-TY	SA	1

2. Assy control out

Exploded View



Parts List

No.	Parent	Lvl.	Loc.	Material Code	Description & Specification	SNA	Qty.
1	DB90-06803A	2		DB63-02730A	GUARD COND; RC100DHXEA,MSWR-6B,TOUCH GRAY	SA	1
2	DB93-11292J	3		DB61-04504B	CASE-INV; RC100ZHXE,ABS,2.0,235.5,120,SC	SNA	1
3	DB93-11292J	3		DB62-10902A	HEAT SINK-1PHASE 30A; FJM,AL,10mm,187mm,2	SNA	1

No.	Parent	Lvl.	Loc.	Material Code	Description & Specification	SNA	Qty.
4	DB93-11292J	3		0205-000178	GREASE-SILICON; YG1111,TOSHIBA(NTR),-	SA	0
5	DB93-11292J	3	RV005	6001-001054	SCREW-MACHINE; TH,+,NO,M4,L10,ZPC(WHT),SM	SNA	4
6	DB93-11292J	3	S0025	6002-000635	SCREW-TAPPING; PH,+,NO,2S,M4,L8,ZPC(WHT),	SNA	2
7	DB90-06803A	2	A2620	DB90-05971B	ASSY CABI FRONT-LF; RC100DHXEA,ManU	SA	1
8	DB90-06803A	2	A0212	DB90-05902A	ASSY CABINET-TOP; RC100PHXEA,ManU	SA	1
8-1	DB90-06115G	4		DB61-04502B	CASE-EMI; GLOBAL 4W-CST,HIPS,2.0,115,254,	SNA	1
8-2	DB90-06115G	4		DB61-04503B	CASE-MAIN; GLOBAL 4W-CST,HIPS,2.0,142,191	SNA	1
8-3	DB90-06115G	4	A0664	DB93-12364A	ASSY CONNECTOR WIRE-POWER; DVM MINI,EMI-M	SA	1
8-4	DB90-06115G	4	A0743	DB93-12383A	ASSY PCB MAIN-OUT; DVM MINI2,MAIN PBA,N	SA	1
8-5	DB90-06115G	4	A1781	DB93-11110D	ASSY PCB SUB-EMI; DVM MINI2,INVERTER PLAT	SA	1
9	DB93-11292J	3	A2876	DB91-00306A	ASSY-SCREW MACHINE; BLDC INV. CONTROLLER,	SA	2
10	DB93-11292J	3	A2876	DB91-00307A	ASSY-SCREW MACHINE; WW-INV,M4*16,WSP,PH,+	SA	2
11	DB94-03102A	2		DB94-03277B	ASSY FAN-PROPELLER; MAN-U,520 PI, NATURAL	SA	1
12	DB93-11292J	3		DB93-10966C	ASSY CONTROL OUT-PLATE; RD050MHXH2,1 Phas	SA	1
12-1	DB93-10966C	4		DB65-00296B	TERMINAL BLOCK-POWER 4P; DVM MINI,PC,4-SC	SNA	1
12-2	DB93-10966C	4	A2254	DB95-01058B	ASSY-TERMINAL BLOCK; MCU-KIT,300V,20A	SA	1
12-3	DB93-10966C	4		DB90-05889A	ASSY CASE CONTROL OUT; RC100PHXEA,ManU	SNA	1
12-4	DB93-10966C	4	A2934	DB93-10808C	ASSY CONNECTOR WIRE-COMM; FJM UB1, DVM MI	SNA	1
13	DB93-11292J	3	A2573	DB93-11112A	ASSY PCB MAIN-INVERTER; RC100DHXEA, RC100	SA	1
15	DB95-04861A	2		UG5T450FUEJXSG	RCP,55,F,R410A; RCP,55,F,R410A		1