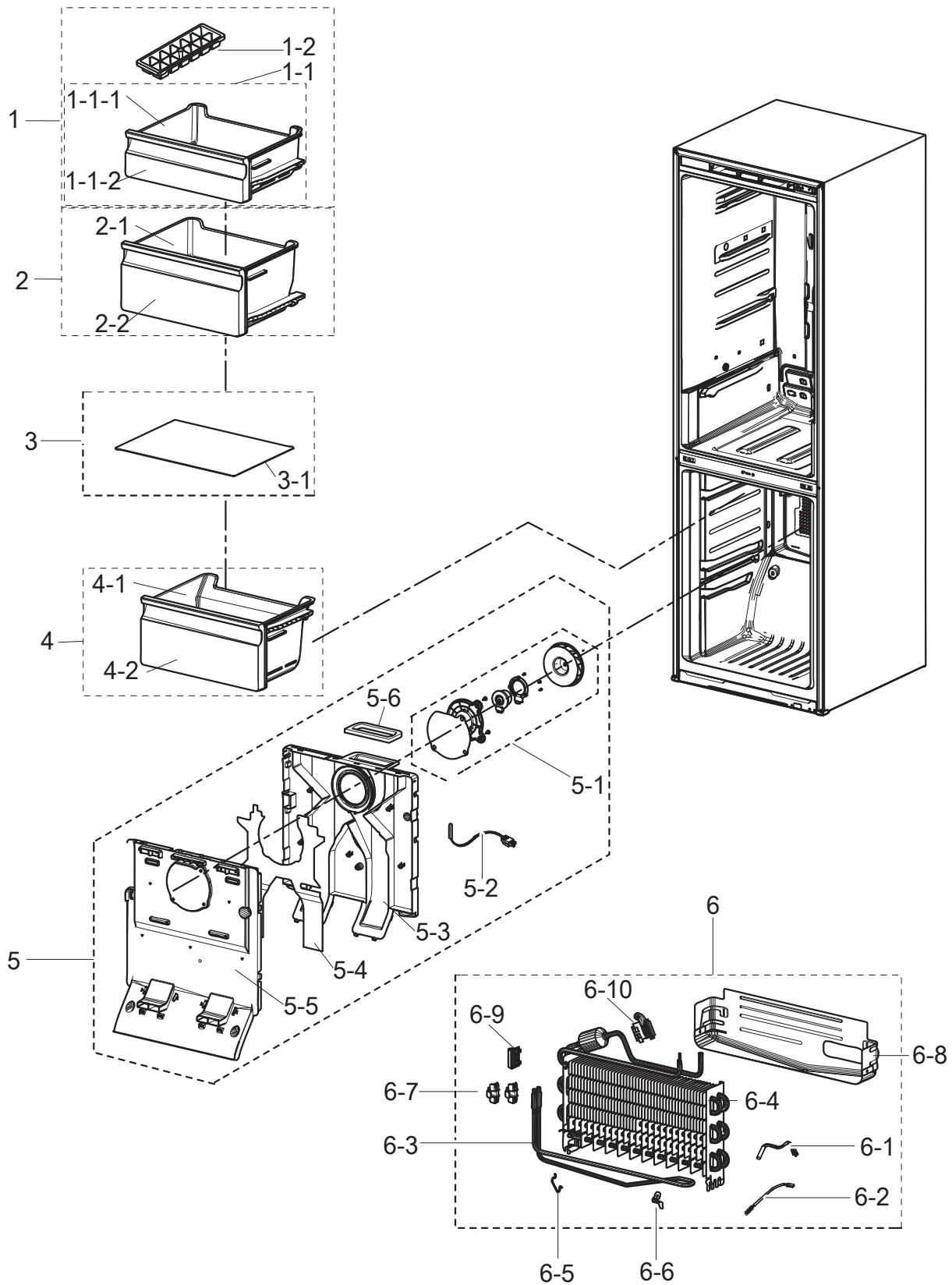


# EXPLODED VIEW PART LIST

## Freezer



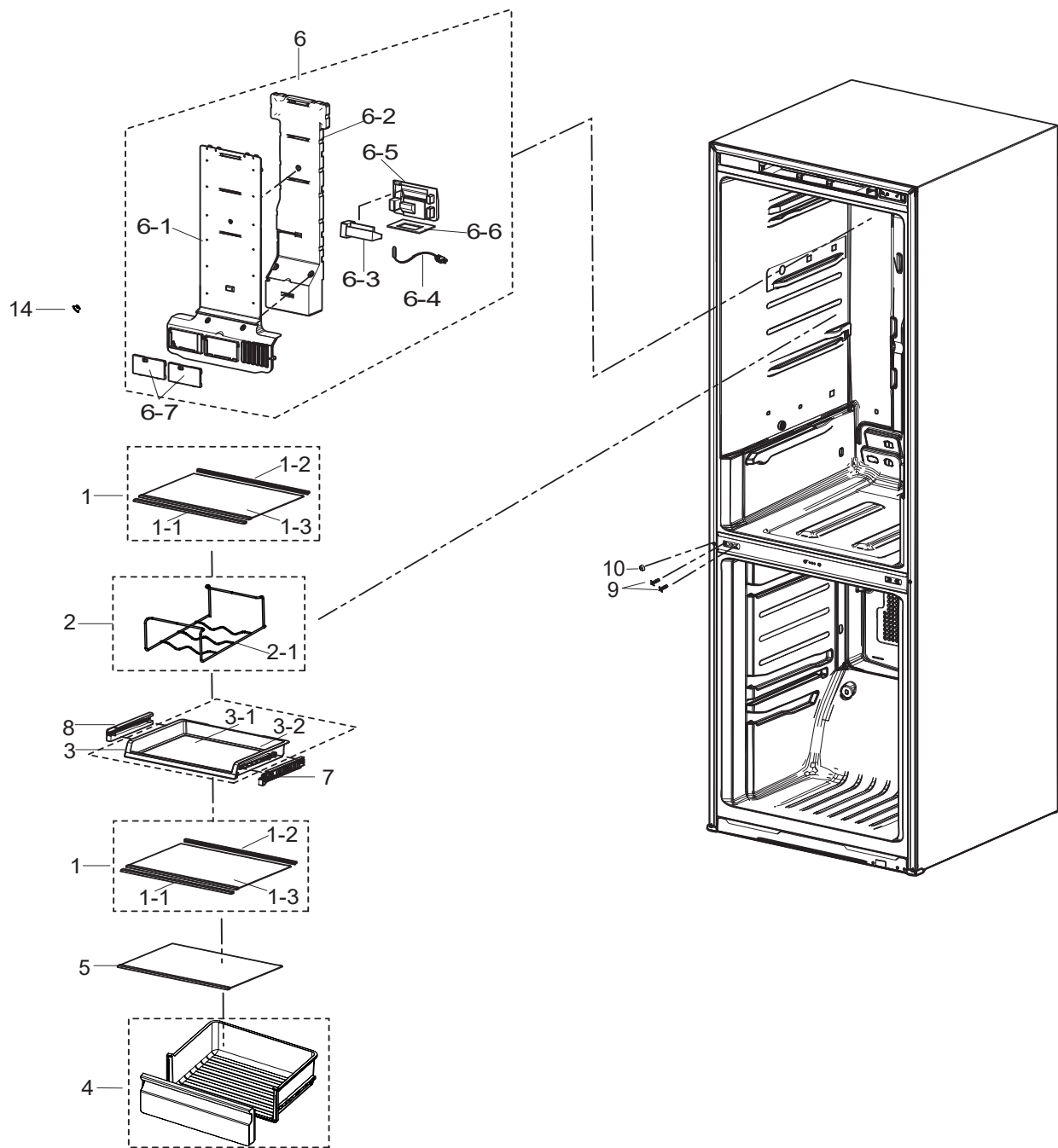
# EXPLODED VIEW PART LIST

## • Parts List of Freezer

| NO    | CODE NO     | PART NAME                 | Specification   | Quantity | SA/SNA |
|-------|-------------|---------------------------|---|----------|--------|
| 1     | DA97-15776A | ASSY TRAY-UP              | ASSY  | 1        | SNA    |
| 1-1   | DA97-13480A | ASSY TRAY-FRE UPP         | 3050,W479.1,L394.3  | 1        | SA     |
| 1-1-1 | DA63-07432A | TRAY FRE-UPP              | 3050,PP,HB,COOL WHITE   | 1        | SNA    |
| 1-1-2 | DA97-13679A | ASSY COVER-TRAY FRE UPP   | 3050 BMF,TRANSPARENCY,ASSY  | 1        | SNA    |
| 1-2   | DA67-40146B | TRAY ICE                  | SR-1500,PP,HB,COOL WHITE  | 1        | SA     |
| 2     | DA97-13472A | ASSY TRAY-FRE MID         | 3050,W466.3,H227.0  | 1        | SA     |
| 2-1   | DA63-07431A | TRAY FRE-MID              | 3050,PP,HB,COOL WHITE,EP448T  | 1        | SNA    |
| 2-2   | DA97-13680A | ASSY COVER-TRAY FRE MID   | 3050 BMF,TRANSPARENCY,ASSY  | 1        | SNA    |
| 3     | DA97-13502E | ASSY SHELF GLASS-FRE      | RL31/29,NO TRIM   | 1        | SA     |
| 3-1   | DA67-03645N | GLASS-SHELF FRE           | RL310/290,TEMPERED GLASS,TRIM,GLASS   | 1        | SNA    |
| 4     | DA97-13475A | ASSY TRAY-FRE LOW         | 3050,W466.2   | 1        | SA     |
| 4-1   | DA63-07428A | TRAY FRE-LOW              | 3050,PP,HB,COOL WHITE,EP448T  | 1        | SNA    |
| 4-2   | DA97-13680A | ASSY COVER-TRAY FRE MID   | 3050 BMF,TRANSPARENCY,ASSY  | 1        | SNA    |
| 5     | DA97-13570A | ASSY COVER EVAP-FRE       | 3050,NATURAL  | 1        | SA     |
| 5-1   | DA31-00334C | MOTOR BLDC FAN            | 12035GE-12M-YT,1775±7%,12V,190mA±15% (LABEL:0.26A),2.28W,HB,-40 ~40                 | 1        | SA     |
| 5-2   | DA32-10105X | SENSOR TEMP               | QUEEN PJT,-40~120 ,5V,F-SENSOR,YELLOW,450mm   | 1        | SA     |
| 5-3   | DA63-07425A | COVER EVAP-REAR           | 3050_BMF,PP,HB,NATURAL,EP448T   | 1        | SNA    |
| 5-4   | DA62-04127A | SEAL-COVER EVAP FRONT     | 3050_BMF,PE FOAM,WHITE,T2,THE REAR ADHESION   | 1        | SNA    |
| 5-5   | DA63-07424A | COVER EVAP-FRONT          | 3050_BMF,PP,HB,NATURAL,EP448T   | 1        | SNA    |
| 5-6   | DA62-03935B | SEAL-COVER EVAP REAR HIGH | 3050_BMF,PE OPEN CELL,WHITE,T5,W146,L72,THE REAR ADHESION                           | 1        | SNA    |
| 6     | DA96-01009E | ASSY EVAP-FRE             | 3050-BMF,Fin Tube,230V,140W   | 1        | SA     |
| 6-1   | DA32-00006D | SENSOR TEMP               | F DEF-SENSOR,L250,200kohm,1%,25C,7phi   | 1        | SA     |
| 6-2   | DA47-00301D | THERMO FUSE-ASSY          | AC250V,10A,109~110 ,S.O.D,ETC(WIRE)   | 1        | SA     |
| 6-3   | DA47-00460J | HEATER METAL SHEATH       | AC230V,3050-BMF FRE,377.8ohm,140W,INCOLOY840,984mm,BIMETAL,35965-9213,MG611532T,MgO | 1        | SA     |
| 6-4   | DA59-00555A | EVAP FRE                  | Fin Tube,3050-PJT,2,A1070,8,A1100,60,28   | 1        | SNA    |
| 6-5   | DA61-02526A | FIXER-EVAP FRE,SUB        | NEXT,AL,Φ2.0,-,-  | 2        | SNA    |
| 6-6   | DA61-03644A | PLATE-EVAP HEATER         | AW-PJT,Al,T0.7  | 1        | SA     |
| 6-7   | DA61-07410A | FIXER-HEATER FRE          | NW2,PP,NATURAL,BJ750  | 1        | SA     |
| 6-8   | DA61-08936A | PLATE-DRAIN               | 3050,GI-SGCC,T0.3   | 1        | SA     |
| 6-9   | DA61-07411A | FIXER-FUSE                | NW2,PP,NATURAL,BJ750  | 1        | SA     |
| 6-10  | DA61-00603A | FIXER SENSOR              | n-PJT,PP,T2,BJ750   | 1        | SA     |
| 7     | DA97-13550A | ASSY SHELF-VEG            | RL31/29 BETTER,SHELF VEG  | 1        | SA     |

# EXPLODED VIEW PART LIST

## Fridge



# EXPLODED VIEW PART LIST

## • Parts List of Fridge

| NO  | CODE NO     | PART NAME               | Specification   | Quantity | SA/SNA |
|-----|-------------|-------------------------|---|----------|--------|
| 1   | DA97-13502D | ASSY SHELF GLASS-REF    | RL31/29,COOL WHITE TRIM   | 2        | SA     |
| 1-1 | DA64-04392A | TRIM SHELF-FRONT        | RT320,ABS,SV-0157,COOL WHITE,URETHAN) TWO OF EXTRUSION(ABS+SOFT | 1        | SNA    |
| 1-2 | DA64-04395A | TRIM SHELF-REAR         | RT320,ABS,SV-0157,COOL WHITE,EXTRUSION(ABS+SOFT URETHAN) TWO OF | 1        | SNA    |
| 1-3 | DA67-03645K | GLASS-SHELF REF         | RL310/290,TEMPERED GLASS,TRIM,GLASS                             | 1        | SNA    |
| 2   | DA97-13920D | ASSY RACK WINE-HALF     | 3050,HALF,electroplate  | 2        | SA     |
| 2-1 | DA75-00314D | RACK WINE-HALF          | 3050-BMF,3050-BMF,MSWR,-,W373,L210,-,OD5.0,HALF,ELECTROPLATE    | 1        | SNA    |
| 3   | DA97-13616A | ASSY SHELF SLIDE-OUT    | 3050(RL310),HOT STAMPING  | 1        | SA     |
| 3-1 | DA67-03645L | GLASS-SHELF SLIDE       | RL310/290,TEMPERED GLASS,ASSEMBLE,GLASS                         | 1        | SNA    |
| 3-2 | DA97-13689A | ASSY SHELF SLIDE-OUT    | 3050(RL310),SILK PRINT  | 1        | SNA    |
| 4   | DA97-13474A | ASSY CASE-VEG LOW       | 3050,W479.2,H175,6  | 1        | SA     |
| 6   | DA97-13715F | ASSY COVER MULTI-REF    | 3050_BMF,RB31,COOL WHITE,NON CONV                               | 1        | SA     |
| 6-1 | DA63-07480A | COVER-MULTI REF         | 3050_BMF,PP,HB,COOL WHITE,EP448T                                | 1        | SNA    |
| 6-2 | DA62-04188A | INSULATION-MULTI REF A  | 3050_BMF,PS FOAM,WHITE,RB31, DENSITY-0.033                      | 1        | SNA    |
| 6-3 | DA31-00043F | MOTOR GEARED DC DAMPER  | NSBA001TF1,DC 12V,60mA,350mm                                    | 1        | SA     |
| 6-4 | DA32-00006N | SENSOR TEMP             | TGV,-40~120 ,5V,F-DEF,YEL,550mm                                 | 1        | SA     |
| 6-5 | DA62-04078A | INSULATION-MULTI REF B  | 3050_BMF,PS FOAM,WHITE,DENSITY-0.033                            | 1        | SNA    |
| 6-6 | DA62-04151A | SEAL-INS MULTI REF LOW  |   | 1        | SNA    |
| 6-7 | DA63-06337B | COVER CONVERTIBLE-MULTI | 3050,PP,T2,HB,COOL WHITE  | 1        | SA     |
| 9   | DA67-02684A | CAP SCREW               | GRAND CRU,ABS,T1,HB,HG-0760GP,SNOW WHITE                        | 2        | SA     |
| 10  | DA67-02684A | CAP SCREW               | GRAND CRU,ABS,T1,HB,HG-0760GP,SNOW WHITE                        | 1        | SA     |
| 14  | DA67-30266K | CAP SCREW               | A-TOP,PP,T1.5,HB,BJ750,COOL WHITE                               | 1        | SA     |
| 15  | 6002-001218 | SCREW-TAPPING           | FH,+,2,M4,L14,ZPC(WHT),SWRCH18A                                 | 2        | SA     |



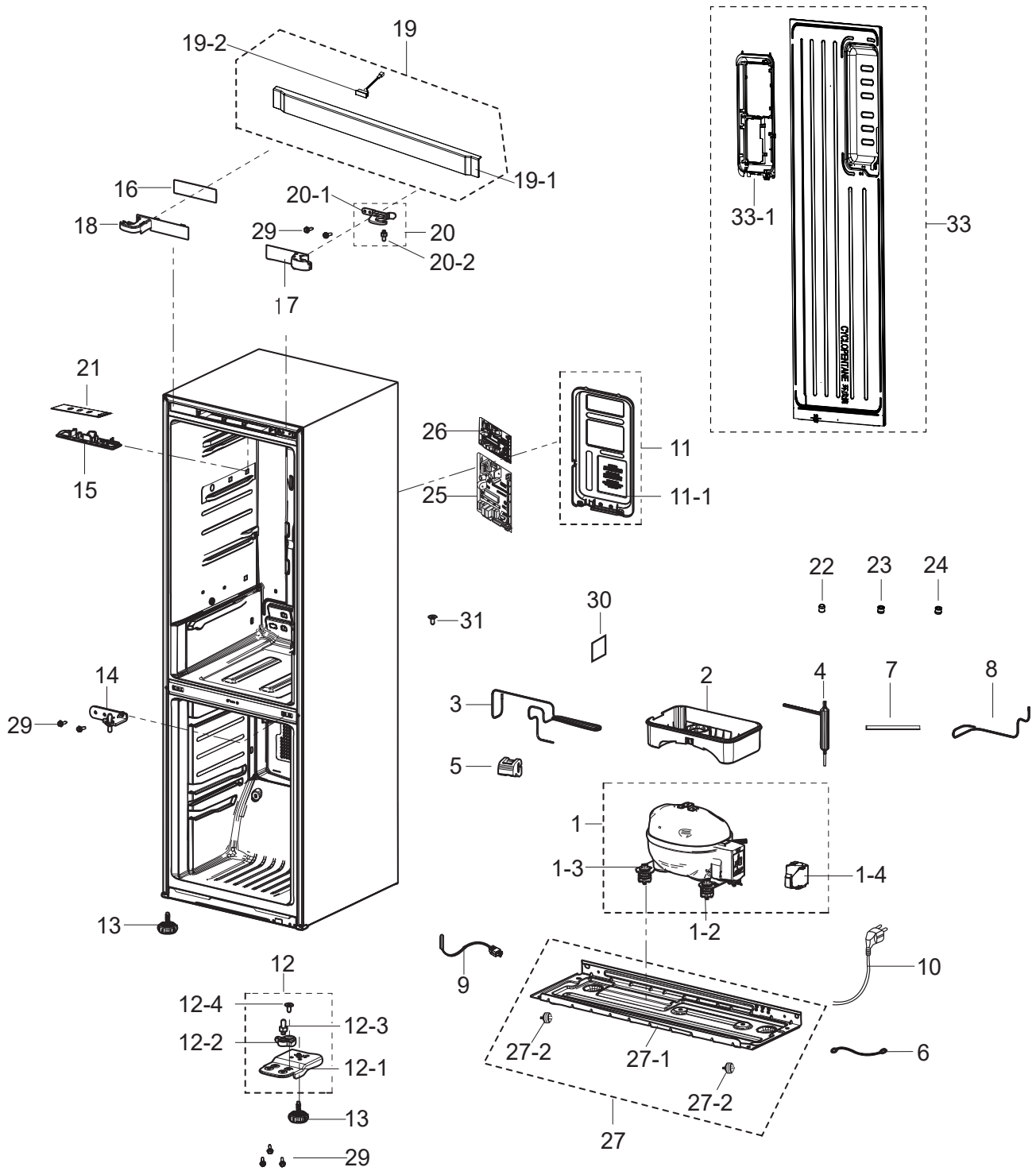
# EXPLODED VIEW PART LIST

## • Parts List of Door

| NO  | CODE NO     | PART NAME            | Specification   | Quantity | SA/SNA |
|-----|-------------|----------------------|---|----------|--------|
| 1   | DA91-05365A | ASSY DOOR FOAM-REF   | 3050 EMS,MATT DOI METAL,RECESS,External Display,310L          | 1        | SA     |
| 1-1 | DA61-03949A | MAGNET               | ES-PJT,SSEC,FERRITE,1600Gauss                                 | 1        | SA     |
| 1-2 | DA66-01011B | LEVER-AUTO CLOSE     | 3050PJ,POM,EBONY BLACK,LMF                                    | 1        | SA     |
| 1-3 | DA61-03684C | SPRING ETC-EARTH     | W07,STS304,L110   | 2        | SA     |
| 1-4 | DA64-04020A | MASCOT               | Ni  | 1        | SA     |
| 1-5 | DA34-00043J | SWITCH REED          | UL1007 AWG 22,50mm  | 1        | SA     |
| 1-6 | DA66-01011B | LEVER-AUTO CLOSE     | 3050PJ,POM,EBONY BLACK,LMF                                    | 1        | SA     |
| 2   | DA91-05364A | ASSY DOOR FOAM-FRE   | 3050 EMS,,MATT DOI METAL,RECESS,310L                          | 1        | SA     |
| 2-1 | DA66-01011B | LEVER-AUTO CLOSE     | 3050PJ,POM,EBONY BLACK,LMF                                    | 1        | SA     |
| 3   | DA97-14135A | ASSY GUARD DAIRY     | 3050-PJT,ASSY   | 1        | SA     |
| 3-1 | DA63-07404A | GUARD-DAIRY CASE     | 3050,GPPS,TP BLUE,HB,165N,HI-IMPACT                           | 1        | SA     |
| 3-2 | DA63-07405A | GUARD-DAIRY COVER    | 3050,GPPS,3,TP BLUE,HB,165N,HI-IMPACT                         | 1        | SA     |
| 3-3 | DA67-02920A | CAP-HINGE DAIRY R    | HERMES,POM,K300,NATURAL                                       | 1        | SA     |
| 3-4 | DA67-02921A | CAP-HINGE DAIRY L    | HERMES,POM,K300,NATURAL                                       | 1        | SA     |
| 4   | DA97-14133A | ASSY GUARD VARIETY   | 3050-PJT,ASSY   | 1        | SA     |
| 4-1 | DA63-07344A | GUARD VARIETY        | 3050,GPPS,T2.5,TP BLUE  | 1        | SA     |
| 4-2 | DA63-07346A | TRAY EGG             | 3050,GPPS,HB,TP BLUE,165N,HI-IMPACT                           | 1        | SA     |
| 6   | DA63-07345A | GUARD BOTTLE         | 3050,GPPS,T2.5,TP BLUE  | 1        | SA     |
| 7   | DA97-13300M | ASSY COVER CONTROL   | 3050PJT,ASSY,Ebony Black(BK0018),BMF                          | 1        | SA     |
| 7-1 | DA63-09425B | COVER CONTROL        | 3050,ABS,T2,DA WHITE,External display                         | 1        | SNA    |
| 7-2 | DA64-04377D | INLAY CONTROL        | 3050PJT BMF,PC,T0.38,W76.2,L124.9,BLACK                       | 1        | SNA    |
| 7-3 | DA92-00464D | ASSY-PCB KIT LED     | LED DISPLAY,3050,115*65.6, TACT S/W, BLUE LED, OUTER,Standard | 1        | SNA    |
| 10  | DA67-03647A | CAP SPACE-DOOR R     | 3050,ABS,HB,HG-0760GP,INOX GRAY                               | 1        | SNA    |
| 11  | DA67-03636A | CAP SPACE-DOOR L     | 3050,ABS,HB,HG-0760GP,INOX GRAY                               | 1        | SA     |
| 12  | DA63-07383A | COVER-WIRE DOOR      | 3050,BMF,ABS,INOX GRAY,HG-0760GP                              | 1        | SA     |
| 13  | DA67-02684A | CAP SCREW            | GRAND CRU,ABS,T1,HB,HG-0760GP,SNOW WHITE                      | 2        | SA     |
| 15  | DA97-13594B | ASSY-GASKET DOOR REF | RB31,3050,GASKET-SECTION(DA63-06230A)                         | 1        | SA     |
| 16  | DA97-12383Y | ASSY-GASKET DOOR     | 3050,GRAY,L708.5,W539.5                                       | 1        | SA     |
| 12  | DA63-07383A | COVER-WIRE DOOR      | 3050,BMF,ABS,INOX GRAY,HG-0760GP                              | 1        | SA     |
| 13  | DA67-02684A | CAP SCREW            | GRAND CRU,ABS,T1,HB,HG-0760GP,SNOW WHITE                      | 2        | SA     |
| 15  | DA97-13594B | ASSY-GASKET DOOR REF | RB31,3050,GASKET-SECTION(DA63-06230A)                         | 1        | SA     |
| 16  | DA97-12383Y | ASSY-GASKET DOOR     | 3050,GRAY,L708.5,W539.5                                       | 1        | SA     |

# EXPLODED VIEW PART LIST

## Cabinet







# EXPLODED VIEW PART LIST

## • Parts List of Cabinet

| NO   | CODE NO     | PART NAME         | Specification                                    | Quantity | SA/SNA |
|------|-------------|-------------------|--|----------|--------|
| 27-2 | DA61-06202A | CASTER-REAR       | GRAND-CRU,PP,NATURAL                             | 1        | SNA    |
| 29   | 6011-001546 | BOLT-HEX          | M5(P0.8),L16,ZPC(WHT),HWH,+ ,SWRCH18A,IND Type C | 1        | SNA    |
| 30   | DA72-00218A | SEAL BUTYL RUBBER | RUBBER,BLACK,T3,W50,L80,-                        | 2        | SNA    |
| 31   | DA60-10130B | SCREW-TAPPING     | TH,-,-,M4.2,L13,ZPC(WHT),SWRCH18A,-,-            | 7        | SA     |
| 32   | DA97-13541C | ASSY PIPE SUCTION | 3050,C1220T,-,-,-,-,-                            | 1        | SNA    |
| 33   | DA97-14147K | ASSY CABI-REAR    | RB33N3204SA                                      | 1        | SNA    |
| 33-1 | DA61-09020C | CASE PCB          | 3050,PP,BLACK,scrap                              | 1        | SA     |