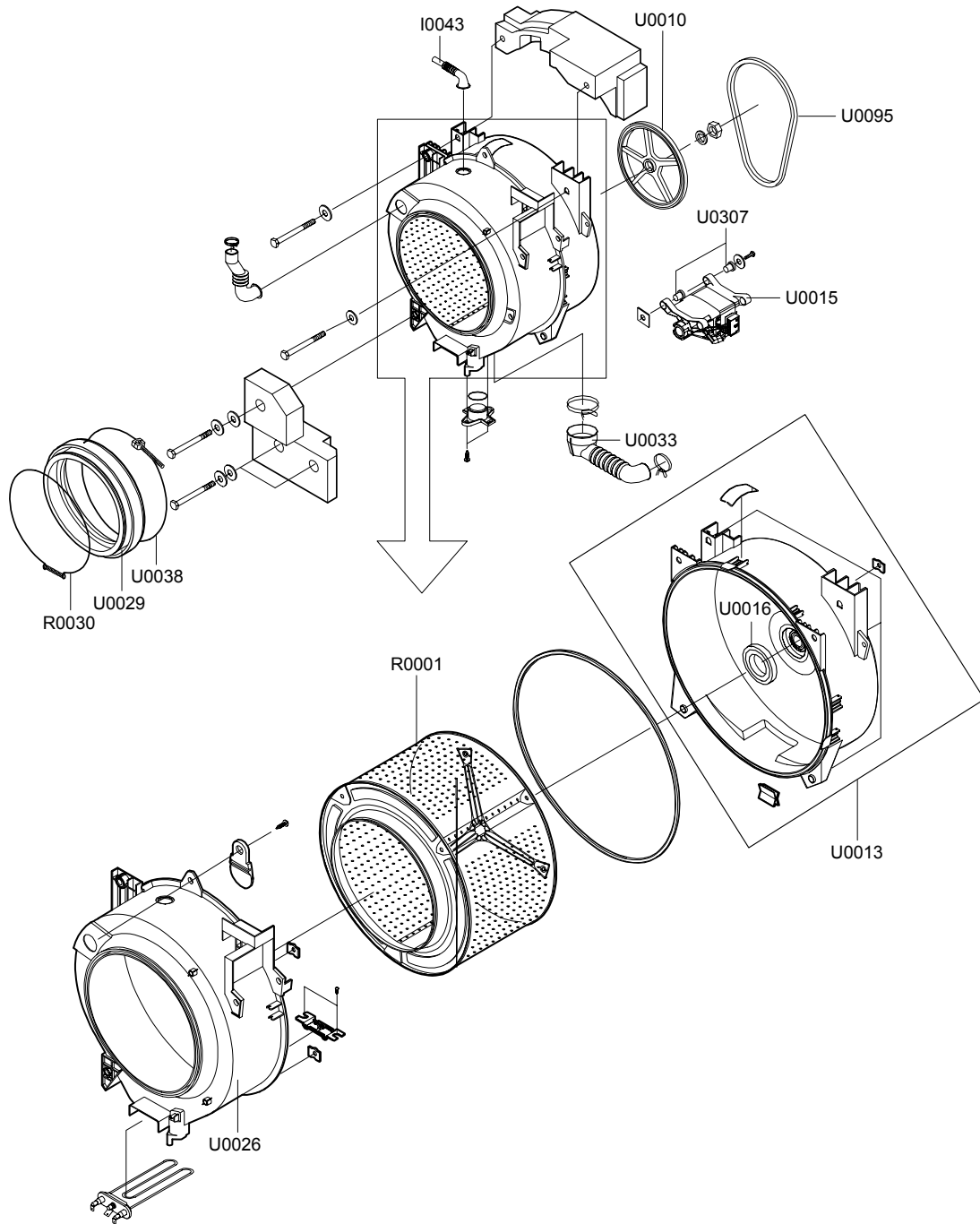
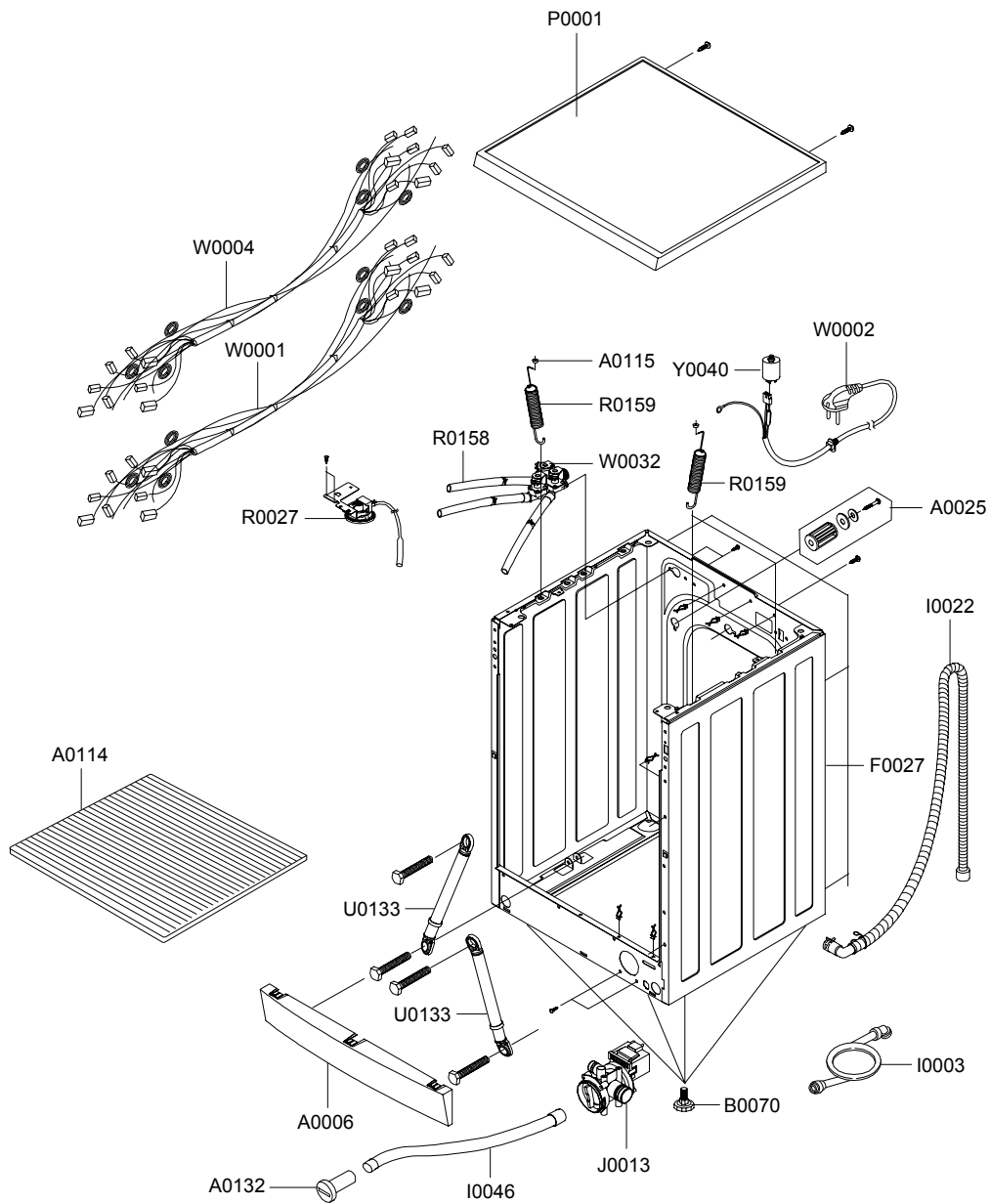


TOP(FRONT)



(TUB)



(CASE)

PART LIST

SVC LOC	CODE NO	DESCRIPTION	SPECIFICATIONQ	Q' TY	SA/SNA
A0006	DC61-10672A	COVER-FRONT (L)	SWF-P12, PP (BJ-730), -, -, -,	1	SA
A0025	DC91-12102A	ASSY-FIXER TUB	SWF-P12, -	5	SA
A0034	DC60-40146A	BOLT-SPANER	-, -, OD36, T2. 5, L52, FE, FZY, -, P	1	SA
A0043	DC61-10688A	CAP-FIXER	SWF-P12, PP (TB53), -, -, -, WHT, -,	6	SA
A0043	DC61-10688A	CAP-FIXER	SWF-P12, PP (TB53), -, -, -, WHT, -,	1	SA
A0043	DC67-00147A	CAP-FIXER	SILM, PP, -, -, -, WHITE, -	1	SA
A0114	DC61-20235A	SHUTTER	DANPLA, PP (BB110), WHT,	1	SA
A0115	DC61-60180A	SLEEVE-PLUG	NYLON#6, SEW-720DR, -, -, NTR	3	SA
A0132	DC61-10673A	CAP-DRAIN	SWF-P12, PP (TB53), -, -, -, WHT, -,	1	SA
A0242	DC64-00864R	INLAY-PANEL	P1053GW/XEC, PC, T0. 5, W53. 5, L1	1	SA
A0328	DC64-00808A	PANEL-DRAWER	P/R/F/SLIM, ABS, -, -, -, SNOW	1	SA
A0362	DC61-40081A	HOLDER-WIRE	DAWH-2NC, NYLON66, -, -, -, NTR	6	SA
B0070	DC91-12292A	ASSY-LEG	SWF-P12, -	4	SA
C0002	DC97-08577J	ASSY-PANEL CONTROL	P1053GW/XEC, SPANISH/W	1	SA
C0043	DC64-00813A	BUTTON-PUSH(F)	P/R/F/SLIM, ABS, -, -, SNOW-W	1	SA
C0044	DC64-00812A	BUTTON-PUSH(P)	P/R/F/SLIM, ABS, -, -, SNOW-W	1	SA
C0055	DC64-00810B	DECORATION-BUTTON(F)	P/R/F/SLIM, ABS, -, -,	1	SA
C0058	DC64-00653A	DOOR-LOCK S/W	DA, PA6-G, -, H82, W50, -, BLK, 2	1	SA
C0103	DC66-00358A	LEVER-DOOR	SEW-HW105, ZNDC, -, -, -, CR-COA	1	SA
C0105	DC61-00890A	SPRING-HANDLE	HAUZEN (DOM), STS304, CD1. 0, -	1	SA
C0115	MFS-P1053-00	ASSY PCB PARTS	MFS-P1053-00 10	1	SA
D0003	DC61-00889A	HINGE-DOOR	HAUZEN (DOM), ZNDC, -, -, -, -, 18	1	SA
D0061	DC64-00920C	DOOR-GLASS	S, P, F MODEL (LOW), GLASS, T5. 0, H	1	SA
D0072	DC61-00891A	GUIDE-HINGE	HAUZEN (DOM), POM, -, -, -, WHT, HI	2	SA
D0075	DC64-00646A	HANDLE-DOOR	SD455-PJT, POM, -, -, -, WHT, RO	1	SA
D0081	DC61-00888A	HOLDER-GLASS	HAUZEN, ABS, -, -, -, WHT, AUTO+M	1	SA
D0112	DC63-00391A	COVER-DOOR	HAUZEN (DOM), ABS, -, -, -, -, WHT	1	SA
F0027	DC99-00571A	ASSY-PAINT FRAME	B1445V~B845, CLON-PJT/WH	1	SA
F0064	DC97-00702D	ASSY-FRAME FRONT	SB-PJT/WHT, ROUND-TYPE	1	SA
F0065	DC97-05134B	ASSY-FRAME PLATE (U)	WF-R1053/XSC, R-PJT/S	1	SA
I0003	DC62-10289C	HOSE-WATER (C)	RUSSIA, PVC+NYLON, ID10. 3, -,	1	SA
I0022	DC97-00139F	ASSY-HOSE DRAIN (O)	DRUM, PP/L1970/CHINA	1	SA
I0030	DC62-10278A	HOSE-HANGER	-, PP (JS20), -, -, -, NTR, -	1	SA
I0043	DC62-10303A	HOSE-AIR	-, EPDM, ID24, -, -, L130, BLK, SWF-P1	1	SA
I0046	DC62-10302A	HOSE-DRAIN	SWF-P12, EPDM, ID5. 5, -, -, L220, B	1	SA
I0047	DC61-01136A	CLIP-HOSE	F1235J, SK5, T1. 0, WHT, ID14. 8	4	SA
I0047	DC61-01136A	CLIP-HOSE	F1235J, SK5, T1. 0, WHT, ID14. 8	1	SA
J0013	DC96-00859B	ASSY-PUMP DRAIN	B1215, 220~240V/50Hz	1	SA
J0019	DC61-10652B	CASE-PUMP	PP (5113MF6), SW-5C1P, -, -, -, WHT,	1	SA

PART LIST

SVC LOC	CODE NO	DESCRIPTION	SPECIFICATIONQ	Q' TY	SA/SNA
J0020	DC63-00443B	COVER-PUMP	SEW-HR125, PP, T1. 3, -, -, -, WHT	1	SA
J0025	DC31-00056A	PUMP-DRAIN	-, 220~240V, 50Hz, -, 30W/3000RPM	1	SA
P0001	DC97-11090A	ASSY-COVER TOP	P1043GW/YLP, WHT	1	SA
P0036	DC61-10687B	CAP-RINSE	SEW-HW108, ABS, -, -, -, GRN, -	1	SA
R0001	DC97-01463F	ASSY-DRUM	P1205/KRNJM, LEFTER TYPE/NEW-DR	1	SA
R0002	DC66-10179B	DRUM-FRONT	SB-PJT, STS430, -, -, -, TO. 4	1	SA
R0007	DC97-01115A	ASSY-FLANGE SHAFT	1000/1200RPM, ALDC+SM45	1	SA
R0017	DC97-02051A	ASSY-DRUM LIFTER	DRUM, LIFTER+FIXER ASSY	3	SA
R0019	DC97-06572E	ASSY-HOUSING DRAWER	BIG-WASH, P2-PJT, 2WAY	1	SA
R0019	DC97-03244A	ASSY-HOUSING DRAWER	B1215J, FOR/2WAY	1	SA
R0027	DC97-00731A	ASSY-SENSOR PRESSURE	P1091, S-PRE+BRACKET+	1	SA
R0030	DC91-12078A	ASSY-WIRE DIAPHRAGM	SWF-P12, FRAME-FRONT	1	SA
R0036	DC61-30348A	BODY-DRAWER	-, PP, -, -, -, -, -	1	SA
R0045	DC61-00027A	CAP-DRAWER	COVER_HOT-HOLE/P12, NBR, -, -, L1	1	SA
R0047	DC67-00114A	CAP-FILTER	SW80ASPIW/YMI, P. P, -, -, -, BLK, -	1	SA
R0065	DC63-00450A	COVER-FRONT	S821, PP, T1. 8, -, -, -, WHT, GUI	1	SA
R0106	DD60-50018A	NUT-FLANGE	-, M5XP0. 8, FZY, MSWR10, -	2	SA
R0155	DC64-00809A	HANDLE-DRAWER	P/R/F/SLIM, ABS, -, -, -, SNO	1	SA
R0158	DC67-00051D	HOSE-DRAWER	S1093~S6093, EPDM, -, -, -, BLK	0. 46	SA
R0158	DC62-10305A	HOSE-DRAWER TUB	-, EPDM, ID35, -, -, L158, BLK	1	SA
R0159	DC61-70216C	SPRING-HANGER	P1291, HSWR, CD3. 5, -, -, L175,	1	SA
R0159	DC61-70217C	SPRING-HANGER	P1291, HSWR, CD3. 2, -, -, L175,	2	SA
U0003	DC60-60044B	WASHER-PLAIN	SBC, ID8. 4, OD30, T3, -, -, -	5	SA
U0003	DC60-60044A	WASHER-PLAIN	-, ID10. 5, OD30, T3, -, STS304	2	SA
U0004	DC63-10003C	SPONGE-HOSE AIR	POL, GRY, SWF-P12, HB22-GRE	1	SA
U0005	DC60-60040A	WASHER-NYLON	-, ID10. 5, OD32, T2, -, PBSP-1/2	5	SA
U0010	DC66-10176B	PULLEY	ALDC, -, D297, P1291, ID12. 5	1	SA
U0015	DC31-00002F	MOTOR-DRUM	HXGM4I, SFW-P12, -, 50Hz, WASHING	1	SA
U0016	DC62-00008A	SEAL-OIL	-, NBR (SD35), BLK, -, -, -, NBU (PI15)	1	SA
U0018	DC47-00007A	HEATER	-, DRUM-MDL, SUS316L, -, -, 230V, 20, -,	1	SA
U0023	DC61-40348B	BRACKET-NUT	SBHG-R, P1291, T3, -, -, -, NO-PAI	2	SA
U0023	DC61-40348B	BRACKET-NUT	SBHG-R, P1291, T3, -, -, -, NO-PAI	5	SA
U0023	DC61-00201A	BRACKET-NUT	SBHG-R, P1291, T3, -, -, -, NO-PAI	1	SA
U0028	DC61-10676A	CAP-TRAP	SWF-P12, PP (TB53), -, -, -, -,	1	SA
U0029	DC61-20219A	DOOR-DIAPHRAGM	EPDM, -, -, -, -, -, GRY, SWF-	1	SA
U0030	DC61-30346C	TUB-FRONT	P1405J, FRPP (FRPP15%) SAMBACK, -,	1	SA
U0033	DC62-10304A	HOSE-FILTER TUB	-, EPDM, ID65, -, -, L151, BLK	1	SA
U0038	DC91-12077D	ASSY-CLAMP DIAPHRAGM	WF-B853/XSC, SWF-12/	1	SA
U0078	DC97-10977D	ASSY-SEMI TUB BACK	B1013, FRPP (GR15%)	1	SA

PART LIST

SVC LOC	CODE NO	DESCRIPTION	SPECIFICATIONQ	Q' TY	SA/SNA
U0095	6602-001072	BELT-TIMING GEAR	POLYURETHAN, L1270, J5, ME	1	SA
U0133	DC66-00334A	DAMPER-SHOCK	Q1636GW/XEU, -, -, -, -, L197. 5,	2	SA
U0307	DC61-00041A	CUSHION-MOTOR	SWF-6V, BUTYL, -, -, -, ID16/OD	1	SA
U0320	DC60-40144A	BOLT-HEX	M10, L41, ZPC2 (YEL), SM10C/DAMPER	2	SA
U0320	DC60-40141A	BOLT-HEX	SM10C/DAMPER, HEX, M8, L66, -, ZPC2 (2	SA
U0328	DC62-40183A	PACKING-TUB	SWF-P12, RUBBER, -, -, -, -, BLK	1	SA
U0335	DC60-60049A	WASHER-SPRING	-, ID10. 5, OD18, T2. 5, -, SIR	1	SA
U0353	DC61-00118A	CLAMPER HOSE	P1291, LYLON6/6, ID27, OD30, -,	1	SA
U0353	DC61-00133A	CLAMPER HOSE	P1291, PP (BJ-730), ID24. 5, OD2	1	SA
U0353	DC61-60359E	CLAMPER HOSE	F1235AS/F1035AS, -, -, ID7. 8, Y	1	SA
U0353	DC61-60359E	CLAMPER HOSE	F1235AS/F1035AS, -, -, ID7. 8, Y	1	SA
U0353	DC61-60497A	CLAMPER HOSE	SWF-P12, HSWR, -, ID70/OD75. 8,	1	SA
U0353	DC61-60359G	CLAMPER HOSE	F1235AS/F1035AS, -, -, ID37. 2,	1	SA
U0355	DC66-60153A	WEIGHT-BALANCER	SWF-P12, CONCRETE, UPPER,	1	SA
U0355	DC66-60154A	WEIGHT-BALANCER	SWF-P12, CONCRETE, LOWER,	1	SA
U0359	DC62-00066A	FILTER-CASE	-, PP, -, -, -, -, BLK/SW90V2	1	SA
U0360	DC61-60499B	CLIP-TUB	HSWR, P1291, -, NO/PAINT,	8	SA
U0360	DC61-60520A	CLIP-TUB	SK5, SWF-P12, -, PLATE-TYPE,	2	SA
W0001	DC96-00779A	ASSY-WIRE HARNESS	P1043, CIS-M 55cm/SUB	1	SA
W0002	DC96-00146A	asSY POWER CORD	UCP2, -, 250V/16A, -, -, -, -,	1	SA
W0004	DC96-00777A	ASSY-M. WIRE HARNESS	P1043, CIS-M 55cm	1	SA
W0010	DC63-00651A	COVER-HEATER	Q1657TGW/XEU, GI, TO. 4, -, -, -,	1	SA
W0032	DC62-00024F	VALVE-WATER	B1215J, NYLON66/250TRMN, -, -, N	1	SA
Y0040	DC29-00009A	FILTER-EMI	DFC-2715R, P/PV/P2, 250V, 15A, PI	1	SA
Z0004	DC60-50148B	NUT-HEX	SM20C (NYLON), M12, -, -, ZPC3 (YEL), -	1	SA
Z0006	DC97-02412B	ASSY-BOLT	SWF-P12, WEIHGT (L) /M8*L147	2	SA
Z0006	DC97-02412C	ASSY-BOLT	SWF-P12, WEIHGT (U) /M8*L215	1	SA
Z0006	DC97-02412H	ASSY-BOLT	Q1657, -	1	SA
Z0006	DC97-02412A	ASSY-BOLT	SWF-P12, MOTOR, M8*L62	2	SA