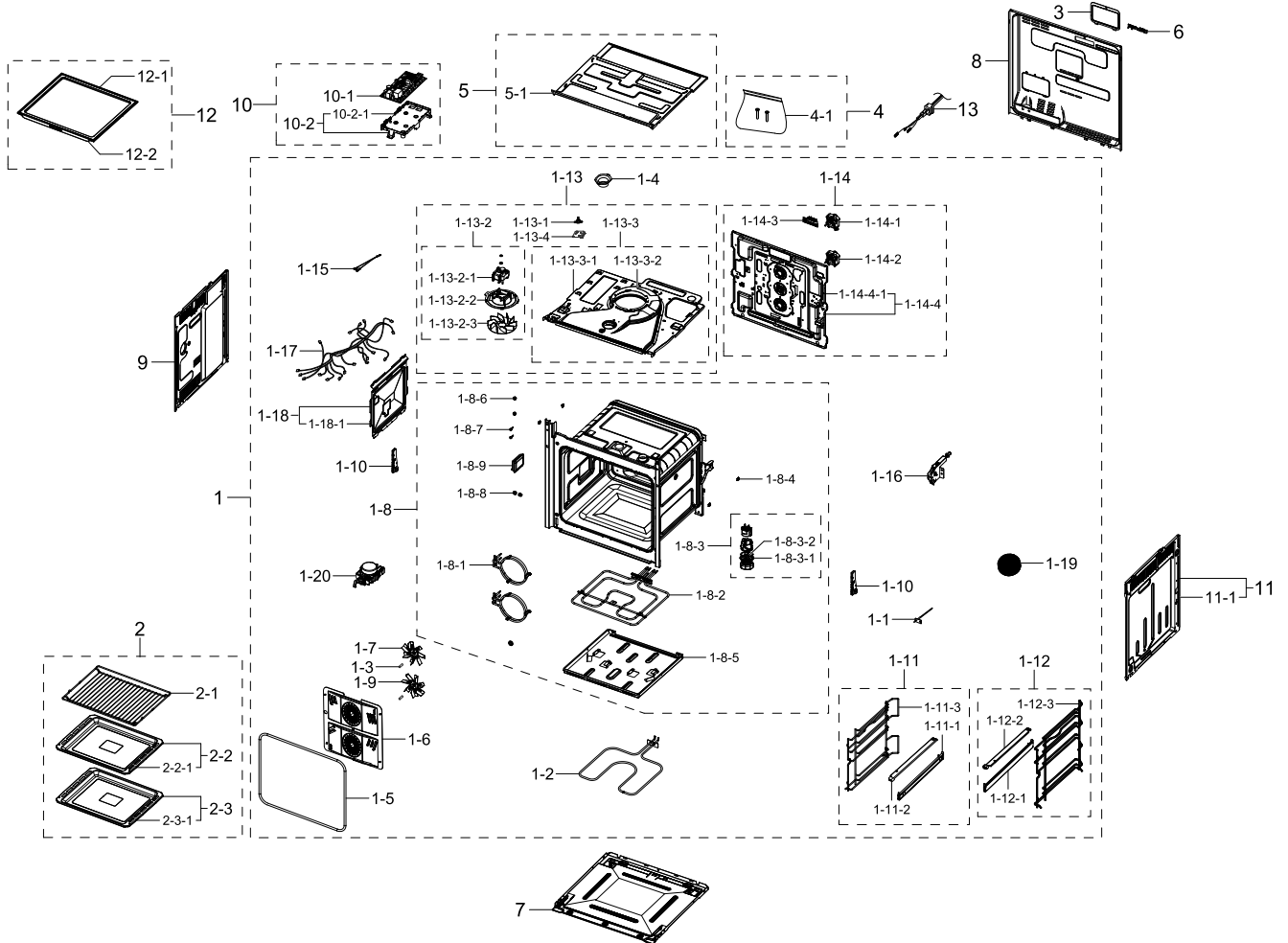


# 1. NV7B4530ZAS/U3 0002

NV7B4530ZAS/U3 0002

## Exploded View



## Parts List

No.	Lvl.	Loc.	Material Code	Description & Specification	SNA	Qty.
1	2		DG94-04665D	ASSY CAVITY-MODULE; NV7B4550VAK/U1,4DCF,P	SNA	1
1-1	3	M054	DG32-00002B	SENSOR-THERMISTOR; PT1000-SOV9,12V,Platiu	SA	2
1-2	3	M224	DG47-00007A	HEATER SHEATH-BOTTOM; AC230V,BKT Type(Fix	SA	1
1-3	3	H049	DG60-00001A	SPACER-FAN CONVECTION; BT63BSST,STKM11A,L	SA	2
1-4	3		DG61-00895A	BRACKET PIPE; ALL,GI-SGCC,T0.5,W27.7,L0.6	SA	1
1-5	3	M370	DG63-00095B	GASKET DOOR; NV9900J,GLASS FIBER,L1837.4,	SA	1

Exploded Views and Parts List

No.	Lvl.	Loc.	Material Code	Description & Specification	SNA	Qty.
1-6	3	H005	DG94-04287C	ASSY COVER CASING; NV7000B,CR-SPE,T0.6,DU	SA	1
1-7	3		DG67-00001C	FAN CONVECTION; 24"OVEN,ALCOAT-SA1C,Pi 12	SA	1
1-8	3		DG94-04405K	ASSY CAVITY-SUB; NV7B4550VAS/U1,DCF,Pyro,	SNA	1
1-8-1	4	H048	DG47-00009A	HEATER SHEATH-CONVECTION; AC230V,1200W,SU	SA	2
1-8-2	4	H071	DG47-00047G	HEATER SHEATH-GRILL; AC230V,BKT TYPE(FIXE	SA	1
1-8-3	4	M254	DG47-00073A	ASSY LAMP-HALOGEN; BT62FQBPST,613102,230V	SA	1
1-8-3-1	5	M265	DG63-00029A	COVER-RING BULB; BT63BSST,STS304,T0.5	SA	1
1-8-3-2	5	U013	4713-001967	LAMP-HALOGEN; 230V,100mA,25W,2600K,400Lm,	SA	1
1-8-4	4	M188	DG61-00341A	BRACKET-HOLDER RACK; FLAT ALL MODEL,STS30	SA	4
1-8-5	4		DG63-00007C	COVER HEATER-BOTTOM; NV3300A,GI-SGCC,T0.5	SA	1
1-8-6	4	M242	DG63-00119A	COVER SCREW; BT65FQBPST,ABS,BLUE,HG-0760S	SA	2
1-8-7	4	M268	DG73-00002A	RUBBER-CUSHION; BT63BSST,SILICON RUBBER,T	SA	2
1-8-8	4	H130	DG94-00332A	HOLDER RACK; -,STS304,-,-,-,-,-,-,-,-,-	SA	2
1-8-9	4	M254	DG96-00371F	ASSY LAMP-HALOGEN; NV8300T,613103,230V 40	SA	1
1-9	3		DG67-00011C	FAN CONVECTION; 24"OVEN,ALCOAT-SA1C,Pi 12	SA	1
1-10	3		DG61-00930A	SUPPORT HINGE; NV9900J,GI-SGCC,T1.6,W4.8,	SA	2
1-11	3		DG94-01403E	ASSY SUPPORTER RACK-LEFT; NV7000B,SIDE RA	SA	1
1-11-1	4	P444	DG61-00468A	RAIL-TELESCOPIC L; TELESCOPIC MODEL,STS30	SA	1
1-11-2	4		DG63-00651A	COVER PARTITION-LEFT; NV9900J,STS304,T0.5	SA	1
1-11-3	4		DG67-00113E	RACK WIRE SUPPORT-LEFT; -,NV9900J,MSWR,-,	SA	1
1-12	3		DG94-01403F	ASSY SUPPORTER RACK-RIGHT; NV7000B,SIDE R	SA	1
1-12-1	4	P445	DG61-00469A	RAIL-TELESCOPIC R; TELESCOPIC MODEL,STS30	SA	1
1-12-2	4		DG63-00652A	COVER PARTITION-RIGHT; NV9900J,STS304,T0.	SA	1
1-12-3	4		DG67-00113F	RACK WIRE SUPPORT-RIGHT; -,NV9900J,MSWR,-	SA	1

No.	Lvl.	Loc.	Material Code	Description & Specification	SNA	Qty.
1-13	3	P214	DG94-04282G	ASSY BRACKET UPPER; NV7000B,DCF, N-STEAM,	SNA	1
1-13-1	4	M029	DG47-00010C	THERMOSTAT; AC125/250V,15/16A,140C,0C,S.O	SA	1
1-13-2	4	M021	DG94-01410F	ASSY COVER MOTOR; NV7000B	SA	1
1-13-2-1	5		DG31-00001F	MOTOR AC FAN; SMF-E610POL,2,230V,50Hz,35W	SA	1
1-13-2-2	5		DG61-01563A	SUPPORT MOTOR; DUAL DOOR,PA66+GF15%,W35,L	SA	1
1-13-2-3	5		DG67-00180A	FAN COOLING; DUAL DOOR,PA66+GF15%,DUAL DO	SA	1
1-13-3	4	P219	DG94-04281B	ASSY BRACKET UPPER-SUB; NV7000B,DCF	SNA	1
1-13-3-1	5		DG61-02157A	BRACKET-UP; NV7000B,GI-SGCC,T0.5,W,L	SA	1
1-13-3-2	5		DG63-00765A	COVER AIR; NV7000B,GI-SGCC,T0.5	SA	1
1-13-4	4	H012	DE61-01371A	BRACKET-TCO; SMH9151B/XAA,EGI-SECC,T0.6,-	SA	1
1-14	3		DG94-04279C	ASSY COVER ADIABATIC-REAR; NV7000B,DUAL,	SA	1
1-14-1	4	H001	DG31-00018A	MOTOR AC CONVECTION; 24" OVEN,SMC-EBQV1A,	SA	1
1-14-2	4	H001	DG31-00019A	MOTOR AC CONVECTION; LOBSTAR,SMC-EBQV1B,2	SA	1
1-14-3	4	G005	DG65-00002A	TERMINAL BLOCK; BT63BSST,450V,41A,VDE,NO,	SA	1
1-14-4	4		DG94-04411A	ASSY COVER BACK; NV7000B, DUAL	SNA	1
1-14-4-1	5		DG63-00766A	COVER ADIABATIC-REAR; NV7000B,GI-SGCC,T0.	SA	1
1-15	3	W036	DG96-00390A	ASSY WIRE HARNESS-EARTH; NV9900J,,230VAC,	SA	1
1-16	3		DG97-00014G	ASSY PARTITION SWITCH; BT62CDSTR-BASIC,-,	SA	1
1-17	3		DG96-00898B	ASSY WIRE HARNESS-MAIN; NV7000B,230VAC,UL	SA	1
1-18	3		DG94-04438A	ASSY COVER ADIABATIC-LEFT; NV7000B	SA	1
1-18-1	4		DG63-00764A	COVER ADIABATIC-SIDE; NV7000B,GI-SGCC,T0.	SA	1
1-19	3	P283	DG63-00096A	FILTER-CERAMIC; BT62FQBPST,CERAMIC	SA	1
1-20	3		DG94-03209A	ASSY DOOR LOCK; NV9900J, NV7000N,PYRO	SA	1
2	2		DG98-02175C	ASSY PACKING ACCESSORY; NV75A6679RS	SNA	1
2-1	3		DG75-01061D	RACK WIRE; NV8300T,RK PJT,MSWR,-,-,-,-,-,-,	SA	1
2-2	3		DG94-04821B	ASSY TRAY OVEN-BAKE; DG63-00011A	SA	1
2-2-1	4	T111	DG63-00011A	TRAY-BAKING B; CR-SPE,T0.6,ENAMEL COATING	SA	1
2-3	3		DG94-04821C	ASSY TRAY OVEN-BAKE; DG63-00201A	SA	1

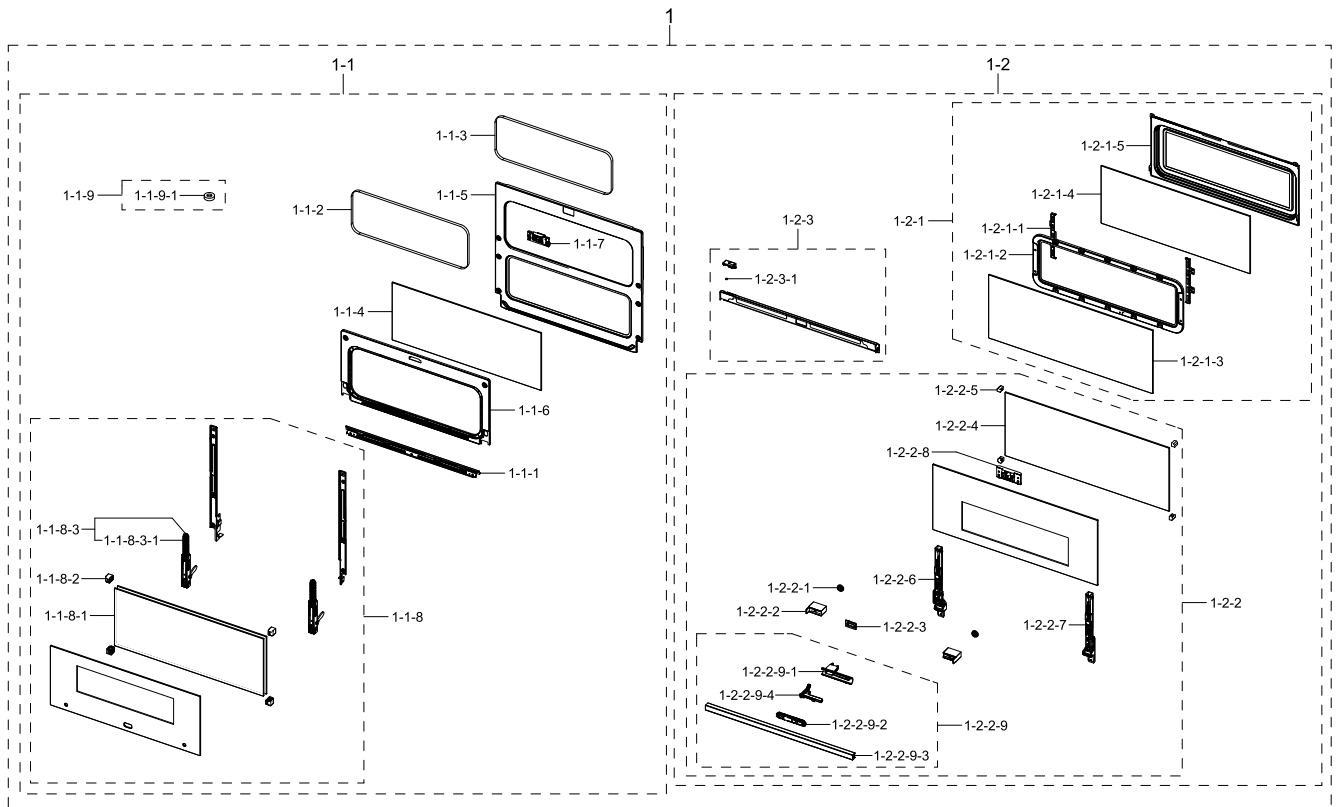
Exploded Views and Parts List

No.	Lvl.	Loc.	Material Code	Description & Specification	SNA	Qty.
2-3-1	4	T176	DG63-00201A	TRAY-BAKING C; 24 OVEN,CR-SPE,T0.6,L367,E	SA	1
3	2		DG61-00031B	BRACKET COVER; NV31T4551SS,GI-SGCC,T0.4,W	SNA	1
4	2		DG98-02298S	ASSY MANUAL; NV7B44205AS/U3	SNA	1
4-1	3	M060	DG94-01852A	ASSY HARD WARE; NV70K1340BG,SCREW	SA	1
5	2		DG94-04439A	ASSY CASE-UP; NV7000B,GI,T0.4	SA	1
5-1	3		DG61-02113A	CASE-UP; NV7000B,GI-SGCC,T0.4,L516.8,-,-,	SA	1
6	2		DG61-00405A	HOLDER-CABLE; DX6292K,PP,-,INNER WHITE,-,	SA	1
7	2		DG61-02114A	BASE BOTTOM; NV7000B,GI-SGCC,T0.5,NV7000B	SNA	1
8	2	P186	DG63-00240C	COVER BACK; NV7000B,GI-SGCC,T0.5,NV7000B	SA	1
9	2		DG94-04440B	ASSY CASE-LEFT; NV7000B,SPACER	SA	1
10	2	C164	DG94-04533H	ASSY HOLDER PCB; NV7B45305AK/U4	SNA	1
10-1	3		DG94-04472E	ASSY PCB EEPROM; 2,DG92-01289B,NV7B44305C	SA	1
10-2	3	C164	DG94-04538A	ASSY HOLDER PCB; NV7000B,CUSHION SPONGE	SNA	1
10-2-1	4		DG61-02155A	HOLDER PCB-MAIN; NV7000B,PBT+GF15%,T2.3,B	SA	1
11	2		DG94-04537A	ASSY CASE-RIGHT; NV7000B,GI,T0.5	SA	1
11-1	3	H053	DG61-02112A	CASE-RIGHT; NV7000B,GI-SGCC,T0.5,L560,NV7	SA	1
12	2	B034	DG94-00743A	ASSY-PARTITION; NV6786BNESR,NEO PJT	SA	1
12-1	3		DG94-04805A	ASSY PARTITION-UP; NV75A6579RS/EF,DG67-00	SA	1
12-2	3		DG94-04806A	ASSY PARTITION-LOW; NV75A6579RS/EF,DG67-0	SA	1
13	2	M015	DG96-00084A	POWER CORD-AT; H05VV-F 3x1.5mm2,BLK,-,-,F	SA	1

## 2. Assy Door-Module

### Assy Door-Module

### Exploded View



### Parts List

No.	Lvl.	Loc.	Material Code	Description & Specification	SNA	Qty.
1	2		DG94-04367D	ASSY DOOR-MODULE; Dual Door,STS,Normal Hi	SA	1
1-1	3		DG94-04368C	ASSY DOOR-MAIN; Dual Door,Black,Normal Hi	SNA	1
1-1-1	4		DG61-01559A	BRACKET GLASS; DUAL DOOR,ALCOAT-SA1C,T0.6	SNA	1
1-1-2	4		DG63-00605A	GASKET-GLASS; NV75N7677RS,GLASS FIBER	SNA	1
1-1-3	4	M370	DG63-00606A	GASKET DOOR; NV75N7677RS,GLASS FIBER,GASK	SA	1
1-1-4	4		DG64-00785C	GLASS DOOR-MIDDLE; NV75N7677RS,GLASS,T4,W	SA	1
1-1-5	4		DG94-02401A	ASSY COVER; NV75N7677RS,ASSY COVER DOOR	SNA	1
1-1-6	4		DG94-02402A	ASSY COVER BACK; NV75N7677RS,ASSY COVER G	SA	1
1-1-7	4		DG94-02404A	ASSY DOOR LOCK-MAIN; NV7000N,ASSY LATCH M	SA	1

Exploded Views and Parts List

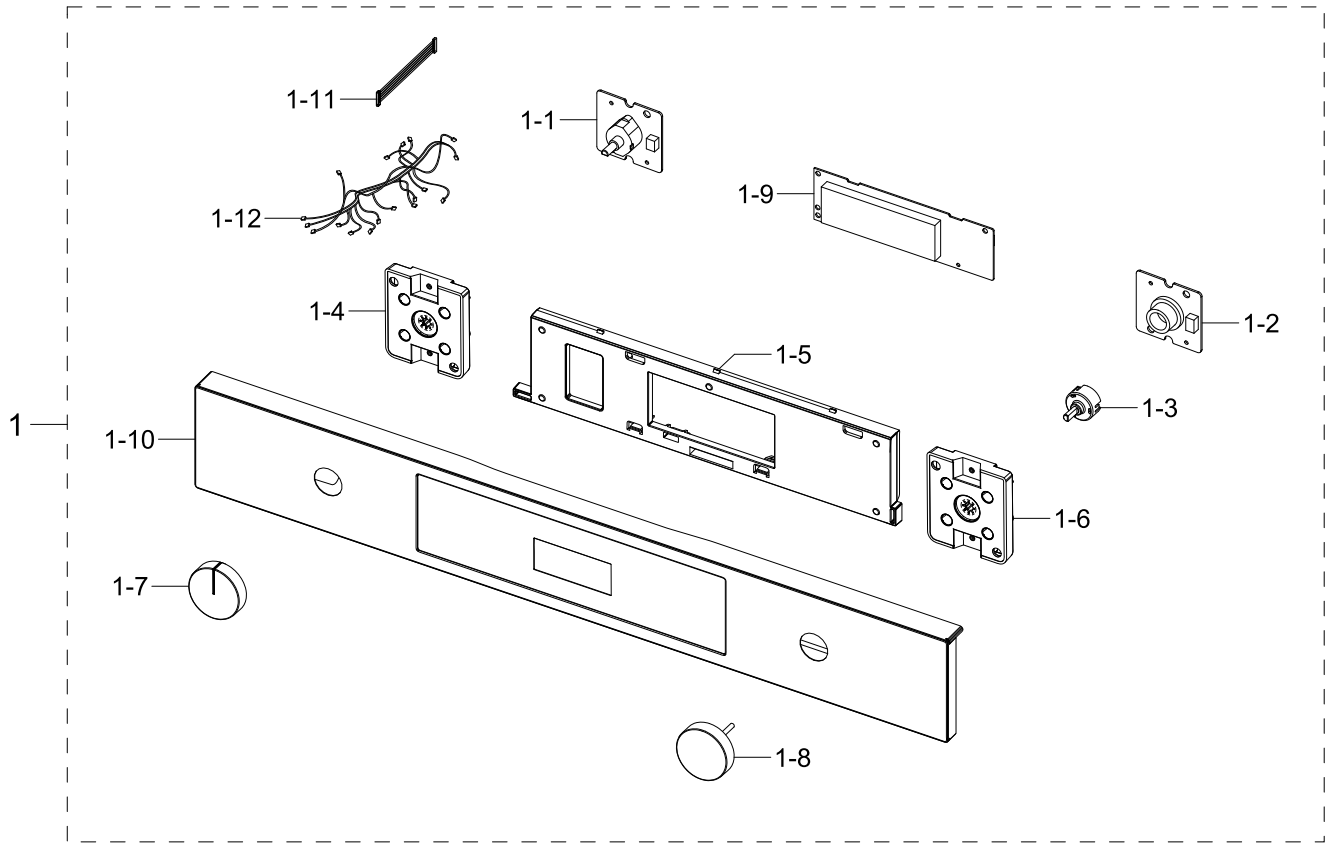
No.	Lvl.	Loc.	Material Code	Description & Specification	SNA	Qty.
1-1-8	4		DG94-04370C	ASSY DOOR SUB-MAIN/UP/LOW; Dual Door,Blac	SNA	1
1-1-8-1	5		DG64-00785A	GLASS DOOR-MIDDLE; NV75N7677RS,GLASS,T4,W	SA	2
1-1-8-2	5		DG67-00186A	RUBBER GLASS; NV75N7677RS,SILICON RUBBER,	SA	4
1-1-8-3	5		DG94-02557A	ASSY HINGE-MAIN; NV7000N, ALTAPE+HINGE,PY	SNA	2
1-1-8-3-1	6	V002	DG94-02391A	ASSY HINGE; NV75N7677RS,NV7000N, PYRO MAI	SA	2
1-1-9	4		DG97-00162A	ASSY SCREW; NV7000N,SCREW(4*8)+WASHER+RUB	SNA	2
1-1-9-1	5		DG67-00184A	RUBBER; NV75N7677RS,SILICON RUBBER,BLACK,	SA	2
1-2	3		DG94-04369C	ASSY DOOR-UP; NV7B4555JAS,Dual Door,STS,U	SNA	1
1-2-1	4		DG94-02564A	ASSY COVER FRONT; NV7000N, PYRO,ASSY COVE	SNA	1
1-2-1-1	5		DG61-01569A	HOLDER GLASS; NV7000N,DUAL DOOR,STS304,T0	SNA	2
1-2-1-2	5		DG61-01584A	BRACKET COVER-TOP; NV7000N,STS202,T0.8,W4	SNA	1
1-2-1-3	5		DG64-00789A	GLASS DOOR-IN; NV7000N,GLASS,T4,W146,L435	SA	1
1-2-1-4	5		DG64-00789B	GLASS DOOR-IN; NV7000N,GLASS,T4,W158,L435	SA	1
1-2-1-5	5		DG94-02400A	ASSY COVER FRONT-COATING; NV75N7677RS,ASS	SA	1
1-2-2	4		DG94-04371C	ASSY DOOR SUB-UP; NV7B4555JAS,Dual Door,S	SNA	1
1-2-2-1	5	D095	DG61-00745A	HOLDER HANDLE; NV7000N,PA66+GF30%,T1.5,BL	SNA	2
1-2-2-2	5		DG61-02150A	SUPPORT HANDLE; NV7000B,PC,W80,L50,HB,141	SNA	2
1-2-2-3	5		DG63-00755A	COVER LATCH; NV7000B,PC,HB,GE BLACK,141R	SA	1
1-2-2-4	5		DG64-00785A	GLASS DOOR-MIDDLE; NV75N7677RS,GLASS,T4,W	SA	1
1-2-2-5	5		DG67-00185A	RUBBER GLASS-UP; NV75N7677RS,SILICON RUBB	SA	4
1-2-2-6	5		DG94-02396E	ASSY HINGE-LEFT; NV7000N,SM45C,P/D,Pyro,U	SNA	1
1-2-2-7	5		DG94-02397E	ASSY HINGE-RIGHT; NV7000N,SM45C,P/D,Pyro,	SNA	1
1-2-2-8	5		DG94-02475A	ASSY DOOR LOCK-FRONT; NV7000N,ASSY LATCH	SA	1

No.	Lvl.	Loc.	Material Code	Description & Specification	SNA	Qty.
1-2-2-9	5	D020	DG94-04373B	ASSY HANDLE; NV7B6795AAK,AL,STS,Dual Door	SNA	1
1-2-2-9-1	6	D147	DG63-00756A	COVER HANDLE; NV7000B,PC,HB,GE BLACK,141R	SA	1
1-2-2-9-2	6		DG64-01042A	HANDLE SUB; NV7000B,PC,T2,W20,L50,141R,HB	SNA	1
1-2-2-9-3	6	D019	DG64-01094B	HANDLE DOOR; NV7B6795AAK,A1,T1.2,W18,L513	SNA	1
1-2-2-9-4	6		DG66-00077A	LEVER DOOR; NV7000B,PA66+GF15%,-,KN3321G1	SA	1
1-2-3	4		DG94-04374A	ASSY DUCT DOOR; NV7B6795AAK,GA-SGCD,T0.8,	SNA	1
1-2-3-1	5	Z097	DG61-00986A	MAGNET; Nd,T2,D6,Holder door lock	SA	1

### 3. Assy Control Box-Module

Assy Control Box-Module

**Exploded View**



**Parts List**

No.	Lvl.	Loc.	Material Code	Description & Specification	SNA	Qty.
1	2		DG94-05436H	ASSY CONTROL BOX-MODULE; NV7B45305AS/U1,S	SNA	1
1-1	3		DE96-00994B	ASSY SWITCH; NV7B4455JAB/EF,DGT,Silver, F	SA	1
1-2	3		DE96-01147A	ASSY SWITCH-OVEN; NV7B4455JAB/EF,DGT,Blac	SA	1
1-3	3		DG61-00250B	HOLDER SWITCH; 24"EVN,PA66+GF15%,BLACK,KN	SA	1
1-4	3		DG61-02104A	HOLDER KNOB; NV7000B,PC,T2,GE BLACK,141R,	SA	1
1-5	3	C226	DG61-02109A	HOLDER DISPLAY; NV7000B,PC,T2,GE BLACK,14	SA	1
1-6	3		DG61-02226A	HOLDER KNOB; NV7000B,PC,T2,GE BLACK,-,HB,	SA	1
1-7	3	C025	DG64-01033B	KNOB; NV7000B 4 SERIES,PC,-,HB,GE BLACK,N	SA	1
1-8	3	C025	DG64-01048B	KNOB; NV7000B 4 SERIES,PC,-,HB,GE BLACK,N	SA	1



No.	Lvl.	Loc.	Material Code	Description & Specification	SNA	Qty.
1-9	3	C179	DG92-01290A	ASSY PCB SUB; SUB,NV7000B, NQ7000B,59.6x1	SNA	1
1-10	3	C001	DG94-04314H	ASSY CONTROL PANEL; NV7000B,STS,CHASSIS,4	SA	1
1-11	3		DG96-00400A	ASSY WIRE HARNESS-DC SIGNAL; NV9900J,Mode	SA	1
1-12	3		DG96-00877A	ASSY WIRE HARNESS-DC SIGNAL; NV7000B,230V	SA	1