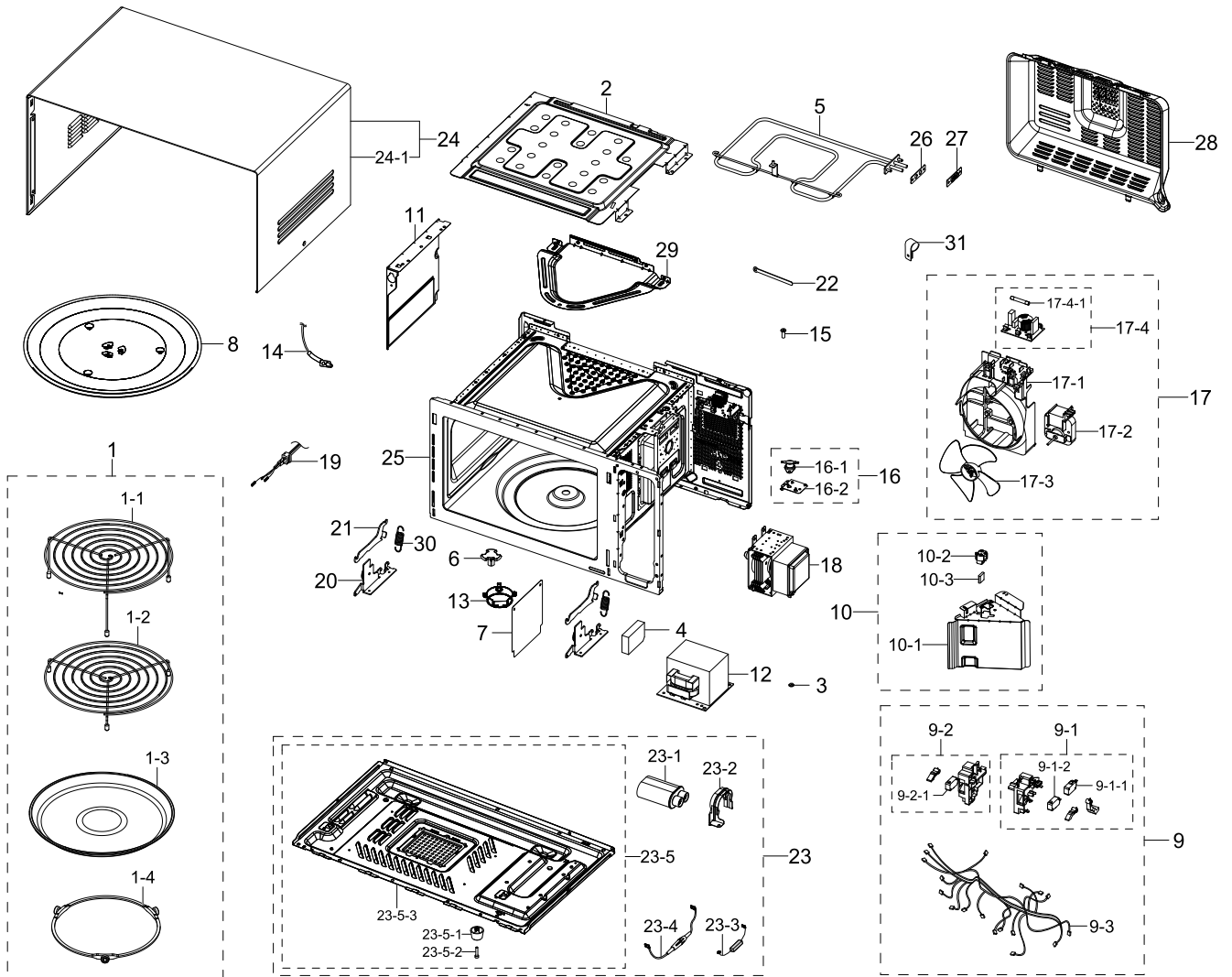


1. Main

Main

Exploded View



Parts List

No.	Lvl.	Loc.	Material Code	Description & Specification	SNA	Qty.
1	2		DE98-02181A	ASSY PACKING ACCESSORY; MC32K7055CK/BW, M	SNA	1
1-1	3	T010	DE97-00136A	ASSY WIRE RACK; CK95,-,-,-	SA	1
1-2	3	T009	DE97-00136B	ASSY WIRE RACK; CK95,-,-,LOW-RACK	SA	1
1-3	3	T133	DE92-90534B	ASSY-TRAY BROILER; CE118KF,AL3004,1.0T	SA	1
1-4	3	T150	DE92-90189S	ASSY GUIDE ROLLER; JES831,SPS(C832-V0),-	SA	1
2	2	P214	DE94-03586A	ASSY BRACKET UPPER; MC32K7055CT/ET,EGI-SE	SNA	1

Exploded Views and Parts List

No.	Lvl.	Loc.	Material Code	Description & Specification	SNA	Qty.
3	2	H024	DE60-30016A	NUT FLANGE; MSWR-SWRM,MSWR10	SNA	4
4	2	M056	DE63-00005C	CUSHION-HVT; CHLOROPRENE RUBBER,T6,BLACK,	SNA	1
5	2	H071	DE47-00063A	HEATER SHEATH-GRILL; AC230V,1500W,SUS309S	SA	1
6	2	M034	DE67-60081A	COUPLER; 3RD-1.0/1.3,PPS+GF40%,XP-2140C,0	SA	1
7	2	M051	DE71-00015A	COVER-CEILING; CE2933,MICA SHEET,T0.3,-,-	SA	1
8	2	T001	DE74-20016A	TRAY COOKING; MC32K7055CT/EN,GLASS,T5,L69	SA	1
9	2		DE94-03873J	ASSY HOLDER-WIRE; MC32J7035AK/EF,DE94-030	SA	1
9-1	3		DE94-03042A	ASSY BODY LATCH TOP-RIGHT; MC32F606T,1.1C	SA	1
9-1-1	4	B046	3405-001032	SWITCH-MICRO; 125/250VAC,16A,200gf,SPDT,T	SA	1
9-1-2	4	B048	3405-001034	SWITCH-MICRO; 125/250VAC,16A,200gf,SPST-N	SA	1
9-2	3	B022	DE94-03043B	ASSY BODY LATCH; CELLO(CONV),1A DOOR SENS	SA	1
9-2-1	4	S0021	3405-001116	SWITCH-MICRO; 125/250VAC,1A,200gf,SPST-NO	SA	1
9-3	3		DE96-01058K	ASSY WIRE HARNESS-MAIN; MC32K7055CK/EF,23	SA	1
10	2		DE94-05210A	ASSY COVER AIR; 28 MWO SOLO_GRILL,GI-SGCC	SA	1
10-1	3		DE63-00943A	COVER AIR; 28L MWO SOLO_GRILL,GI-SGCC,T0.	SA	1
10-2	3		DE47-00041B	LAMP HOLDER HALOGEN; G9,1ea,SNAP IN FX,25	SA	1
10-3	3		4713-002343	LAMP-HALOGEN; 230V,110mA,25W,2500K(Frost)	SA	1
11	2	M053	DE94-03571A	ASSY GUIDE AIR; MC32K7055CT/ET,HOT BLAST	SNA	1
12	2	M038	DE26-00152A	TRANS H.V; SHV-EPT10A,230V,2385V/3.45V,AL	SA	1
13	2	M495	DE31-10170B	MOTOR AC DRIVE; SM16FHK36P1AW3,8Pole,220V	SA	1
14	2	M054	DE32-10013A	SENSOR TEMP; 1.0Kohm	SA	1
15	2	X036	DE60-20063A	BOLT FLANGE; ZPC,10,YEL,M4	SNA	4
16	2		DE96-00912C	ASSY THERMOSTAT; GE614ST/ZAM,(1.3CU.FT/1.	SA	2
16-1	4	M436	DE47-20009A	THERMOSTAT; AC125/250V,15/10A,150C,60C,No	SA	2

No.	Lvl.	Loc.	Material Code	Description & Specification	SNA	Qty.
16-2	3	H012	DE61-01371A	BRACKET-TCO; SMH9151B/XAA,EGI-SECC	SA	2
17	2	M020	DE96-01110A	ASSY MOTOR FAN; MC32J7035DK/ET,230V,50Hz,	SNA	1
17-1	3	M022	DE63-00757A	COVER BLOWER; 1.1 CELLO,PP+TD30%,W140,L21	SA	1
17-2	3	M023	DE31-10185A	MOTOR AC FAN; SMF-3RDEA1,2,230V,50Hz,20W,	SA	1
17-3	3	H096	DE31-90051A	BLADE-FAN; CE10**,PP+TD40%,NATURAL,MT44	SA	1
17-4	3	M017	DE96-00399F	ASSY NOISE FILTER; SN-UF11F,250V/15A,250V	SA	1
17-4-1	4	M019	3601-001197	FUSE-CARTRIDGE; 250V,15A,SLOW-BLOW,CERAMI	SA	1
18	2	M035	OM75P(31)ESGN	ASSY-MGT; ASSY-MGT		1
19	2	M015	DE96-00385A	POWER CORD-AT; H05VV-F 3x1.5mm2,GRY,EU3S,	SA	1
20	2		DE94-03306A	ASSY BRACKET SLIDER; MC32J7055CT,CR-SPCC	SA	2
21	2		DE66-00260A	ARM SLIDER; CR-SPCC,T2.0,MW7000J/ZN PLATI	SA	2
22	2	M058	6052-000075	CABLE CLAMP; PI 5.0, L75mm,T0.3,Si,WHITE	SNA	1
23	2	M155	DE94-03046T	ASSY BASE PLATE-MODULE; MC32F604TCT,NON-E	SNA	1
23-1	3	M039	2501-001015	C-OIL HIGH VOLTAGE; 1000nF,2100V,BK,34x54	SA	1
23-2	3	M040	DE61-50106A	BRACKET-HVC; EGI-SECC,T0.8	SA	1
23-3	3	M527	DE59-00002A	DIODE-H.V; MWO,2CL4512H/CL04-12A,500mA,12	SA	1
23-4	3	M042	DE91-70061A	ASSY H.V.FUSE; THV060T,5KV,800,SCREW,WHT,	SA	1
23-5	3	M045	DE94-03047A	ASSY BASE PLATE SUB; MC32F606T,1.1CELLO(C	SA	1
23-5-1	4	M047	DE61-40065A	FOOT; MWO Conv,PP+TD30%,BLACK,0103-007718	SA	1
23-5-2	4	M046	DE60-60025A	PIN-FOOT; MC28H5013AK/BW,PP+TD30%	SA	1
23-5-3	4	M048	DE61-01523A	BASE PLATE; 1.1 CELLO,GI-SGCC,-,-,-,T0.	SNA	1
24	1		DE94-03356A	ASSY PANEL OUTER; MC32J7055CT/ET,EGI-SECC	SNA	1
24-1	2	M001	DE64-02726F	PANEL OUTER; MC32F604TCT,EGI-SECC,T0.6,W4	SA	1
25	2	P141	DE94-03565A	ASSY CAVITY-COATING; MC32K7055CT/ET,32L,E	SNA	1
26	2	M008	DE63-00049A	GASKET-HEATER; CE2613N,BRASS,T1,W53,L15	SA	1

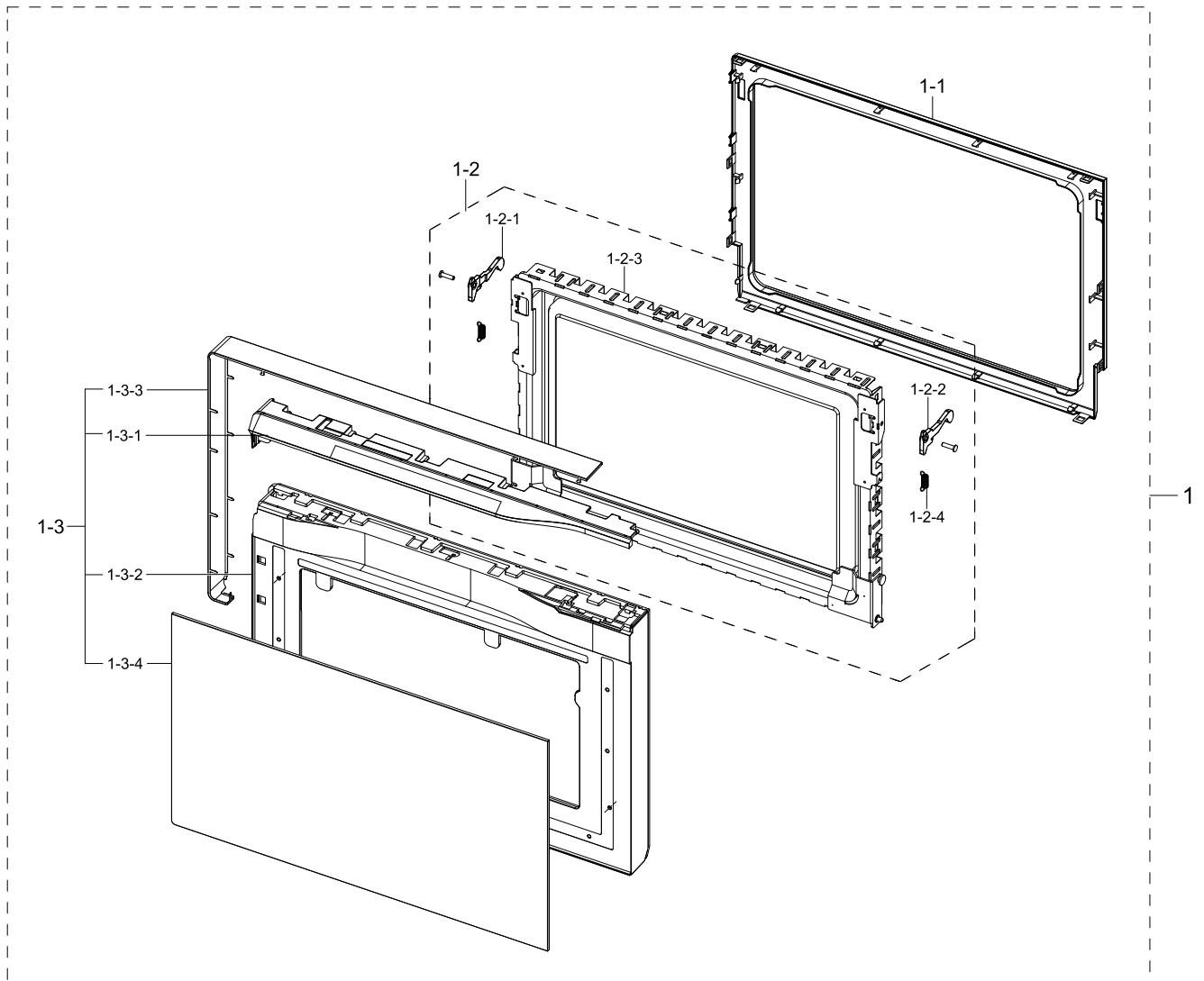
Exploded Views and Parts List

No.	Lvl.	Loc.	Material Code	Description & Specification	SNA	Qty.
27	2	M094	DE63-00048A	GASKET-STOPPER; CE2613N,EGI-SECC,T1,W53,L	SA	1
28	2	P186	DE63-00835A	COVER BACK; MW7000K,GI-SGCC,T0.5	SA	1
29	2		DE63-00837A	COVER CASING-UP; MW7000K,ALCOAT-SA1C,T0.5	SNA	1
30	2		DE61-01579A	SPRING HINGE; MC32J7055CT/ET,HSWR-SWRH,D1	SA	2
31	2	M483	DE65-20014A	CABLE CLAMP; NY-66,DA-6N	SNA	1

2. Assy Door

Assy Door

Exploded View



Parts List

No.	Lvl.	Loc.	Material Code	Description & Specification	SNA	Qty.
1	2	D049	DE94-03567G	ASSY DOOR-MODULE; MC32K7055CT/ET,PC,STSS,	SA	1
1-1	3	D006	DE64-02713A	DOOR C; 1.1 CELLO,PBT+GF15%,H70,KP213G15S	SA	1
1-2	3		DE94-03024B	ASSY DOOR E SUB; MC32J7055CT/EG,CR-SPCC,B	SNA	1
1-2-1	4		DE64-02721A	KEY DOOR-LEFT; 1.1 CELLO,ZN-DIECASTING,W1	SA	1
1-2-2	4		DE64-02722A	KEY DOOR-RIGHT; 1.1 CELLO,ZN-DIECASTING,W	SA	1

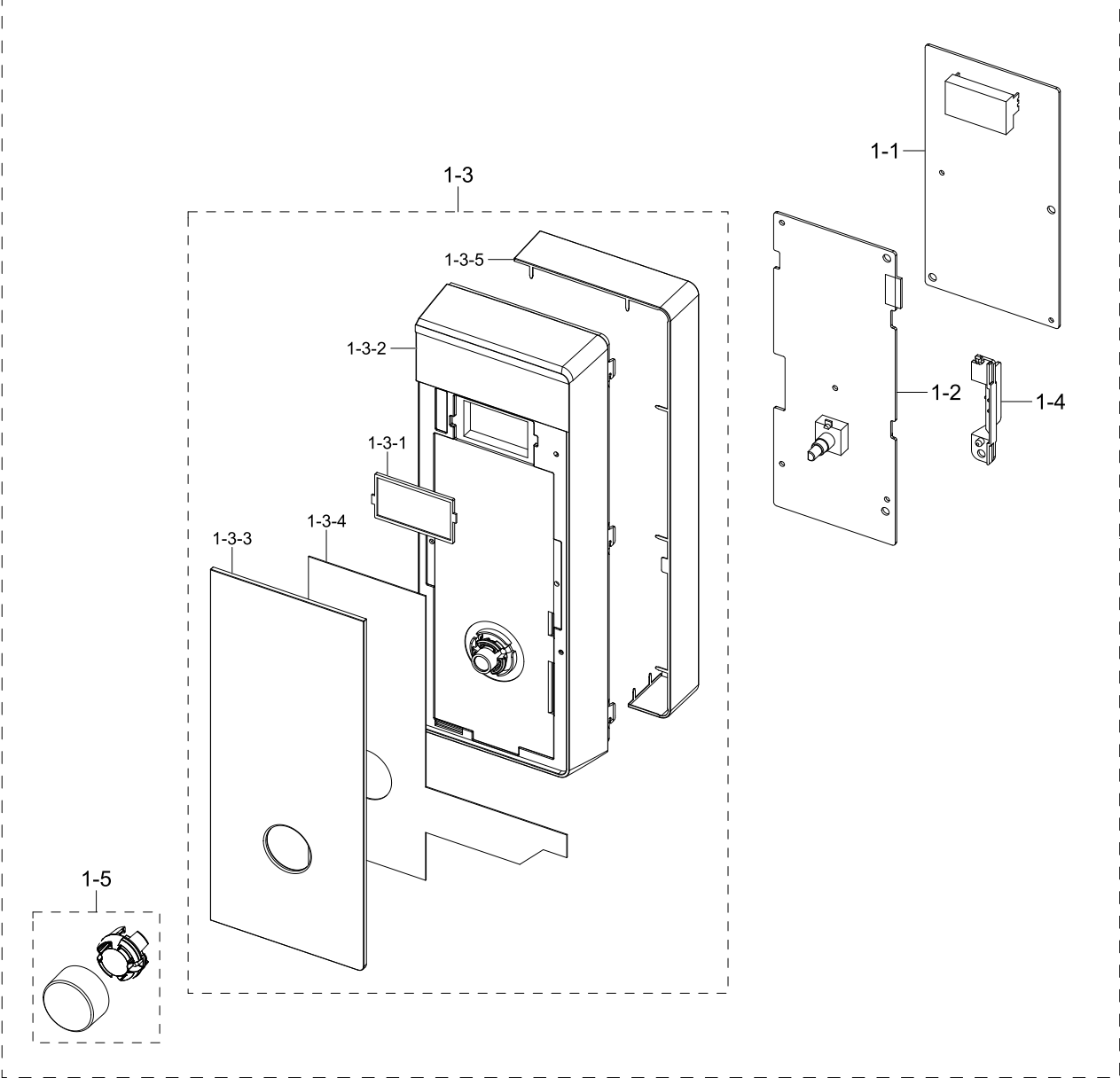
Exploded Views and Parts List

No.	Lvl.	Loc.	Material Code	Description & Specification	SNA	Qty.
1-2-3	4		DE94-03026A	ASSY DOOR E SEALANT; MC32F606T,CELLO	SNA	1
1-2-4	4	D007	DE64-02344D	SPRING KEY; MC32K7055CT,HSWR-SWRH,PI1.0,I	SA	2
1-3	3	D037	DE94-03561A	ASSY DOOR A; MC32K7055KT/ET,STSS TYPE	SA	1
1-3-1	4	D019	DE64-02910A	HANDLE DOOR; MW7000K,PC,141R,HB,GE BLACK,	SNA	1
1-3-2	4	D002	DE64-02908A	DOOR A; MW7000K,PC,HB,141R,GE BLACK,STSS	SNA	1
1-3-3	4	D133	DE64-02936A	CHASSIS DOOR; MW7000K,STS430,T0.4,STSS,HA	SNA	1
1-3-4	4		DE64-02911A	SCREEN DOOR-B; MW7000K,GLASS,T3.2,CLEAR,N	SNA	1

3. Assy Control Box

Assy Control Box

Exploded View



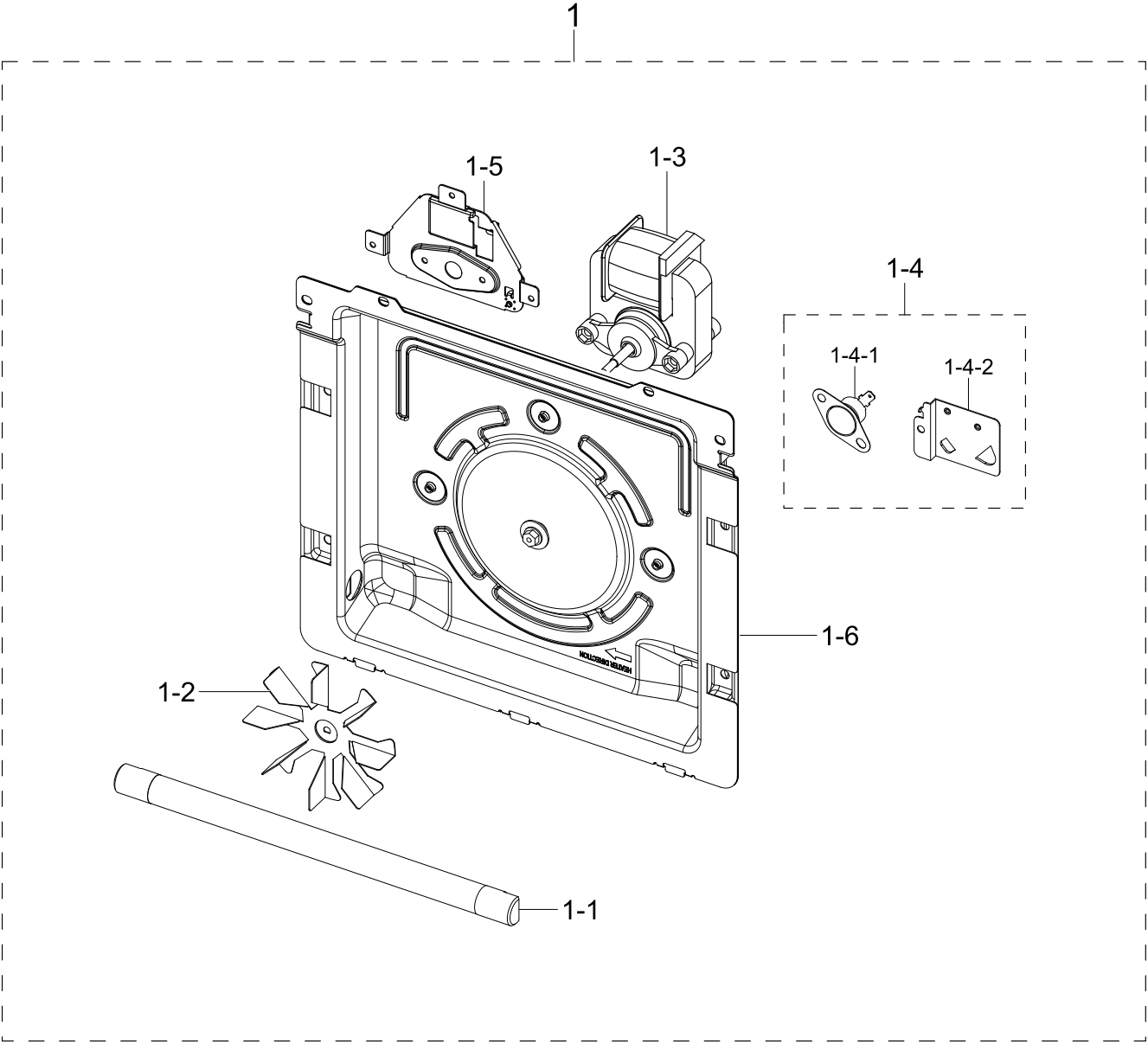
Parts List

No.	Lvl.	Loc.	Material Code	Description & Specification	SNA	Qty.
1	2	C082	DE94-03563A	ASSY CONTROL BOX-MODULE; MC32K7055CT/ET,P	SNA	1
1-1	3		DE94-03580A	ASSY PCB EEPROM; EEP_01,DE92-03730G,MW700	SA	1
1-2	3	C084	DE96-01041A	ASSY KEY MODULE; MC28H513GNK,DKM-CHIC2_To	SA	1
1-3	3	C001	DE94-03559A	ASSY CONTROL PANEL; MC32K7055KT/ET,STSS T	SA	1
1-3-1	4	C009	DE64-01986A	WINDOW-DISPLAY; LATIN2,SAN,HB,CR-5381,BLA	SNA	1
1-3-2	4		DE64-02919A	PANEL CONTROL; MW7000K,PC,HB,141R,GE BLAC	SNA	1
1-3-3	4		DE64-02913A	GLASS PANEL; MW7000K,GLASS,T3.2,W101.2,L2	SNA	1
1-3-4	4	C004	DE34-00430A	ASSY TOUCH; MC28H5114NK,-,-,74.26 x 191.2	SNA	1
1-3-5	4		DE64-02927A	CHASSIS PANEL; MW7000K,STS430,T0.4,STSS,H	SNA	1
1-4	3	C178	DE61-01426A	HOLDER PCB; HQ-Z213GW,PP+TD40%,T2.5,W14.5	SNA	1
1-5	3		DE94-03317D	ASSY KNOB; MC32K7055CK/BW,ABS,METALIZING	SA	1

4. Assy Casing

Assy Casing

Exploded View



Parts List

No.	Lvl.	Loc.	Material Code	Description & Specification	SNA	Qty.
1	2	H067	DE94-03569A	ASSY CASING; MC32K7055CT/ET,HOT BLAST,MW7	SA	1
1-1	3	M295	DE47-00048A	HEATER QUARTZ-CONVECTION; AC230V,600W,QUA	SA	1
1-2	3	H098	DE31-00060A	BLADE-FAN; 1.0value convec,ALCOAT-SA1C,T0	SA	1
1-3	3	H001	DE31-00049C	MOTOR AC CONVECTION; TRIO,SMC-E7103B,2Pol	SA	1
1-4	3		DE96-00912C	ASSY THERMOSTAT; GE614ST/ZAM,(1.3CU.FT/1.	SA	1
1-4-1	4	M436	DE47-20009A	THERMOSTAT; AC125/250V,15/10A,150C,60C,No	SA	1
1-4-2	3	H012	DE61-01371A	BRACKET-TCO; SMH9151B/XAA,EGI-SECC	SA	1
1-5	3	P082	DE61-00956A	BRACKET MOTOR; CE1071AR/BWT,EGI-SECC,T1,W	SA	1
1-6	3		DE61-01588A	BRACKET CASING; MW7000K,ALCOAT-SA1C,T0.5	SA	1