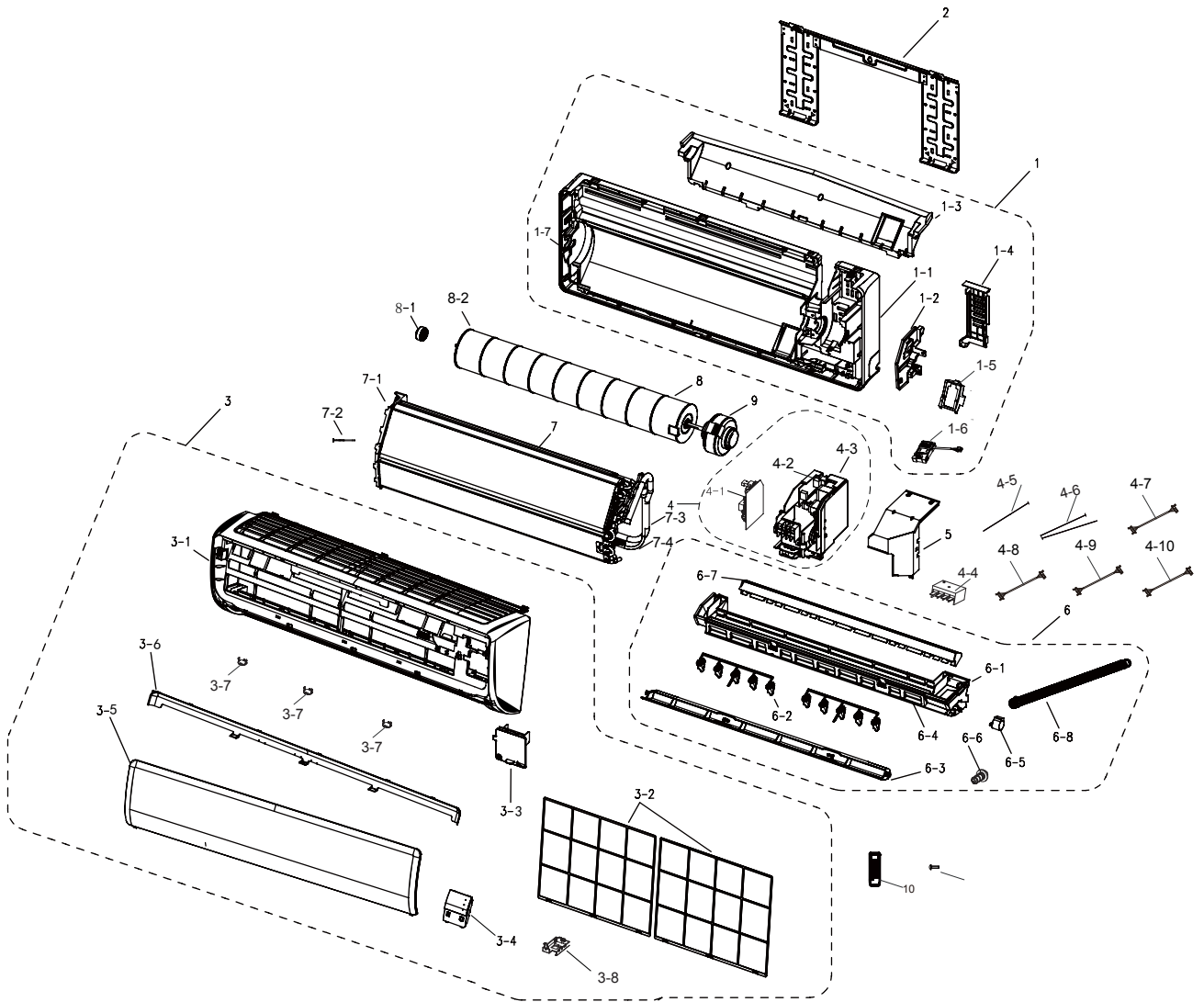


5. Exploded Views and Parts List

Exploded View_AR24HSSPASNYAZ

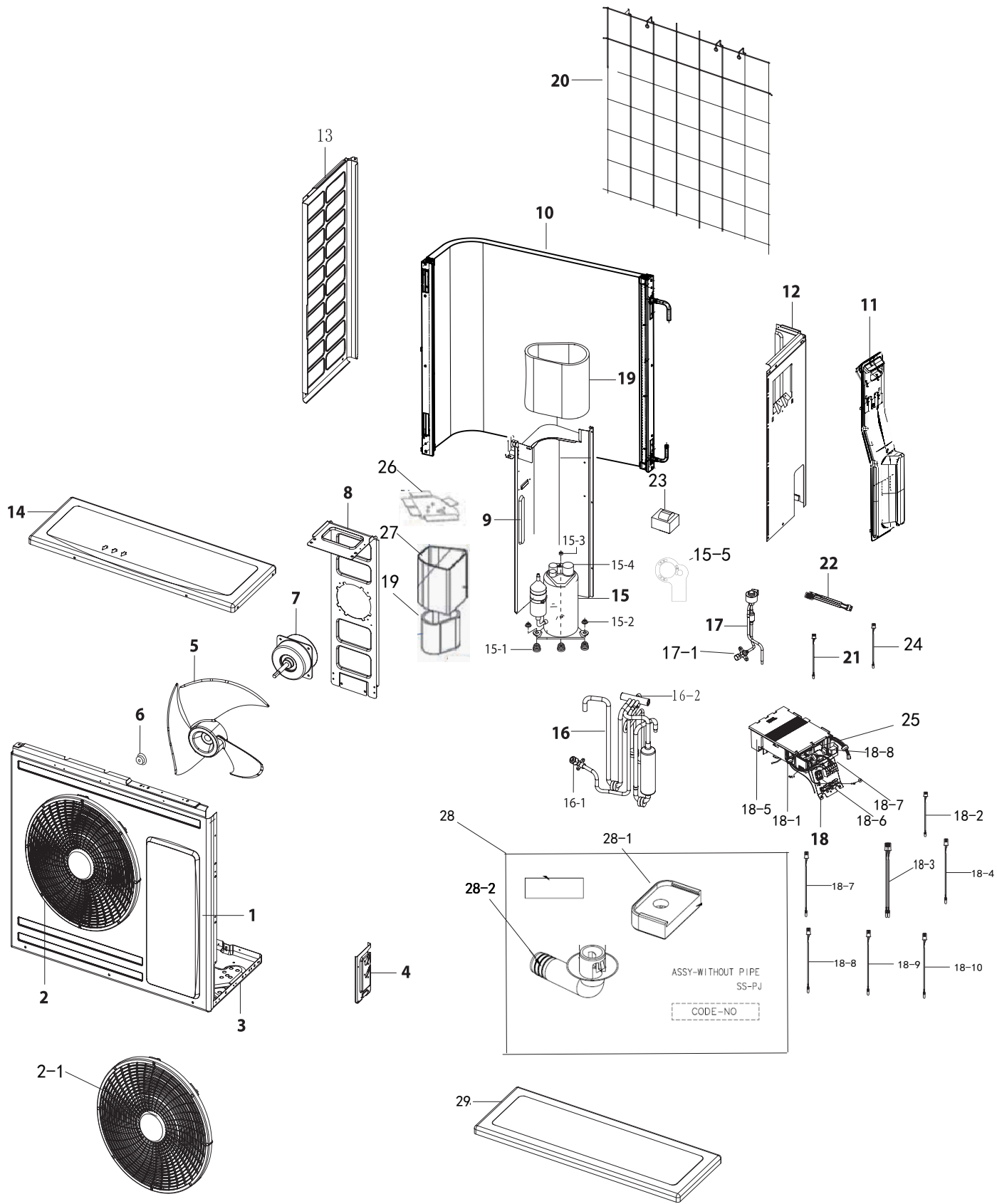


■ Parts List

| NO | Parts Code | Description | Q'ty | SA/SNA |
|------|-------------|-----------------------------|----------------|--------|
| | | | AR24HSSPASNYAZ | |
| 1 | DB94-02532E | ASSY BACK BODY | 1 | SA |
| 1-1 | DB61-04681B | BODY BACK | 1 | SNA |
| 1-2 | DB90-04857A | ASSY-SUPPORT EVAP | 1 | SA |
| 1-3 | DB62-04475A | INSULATION-BODY BACK | 1 | SNA |
| 1-4 | DB61-01981C | HOLDER-PIPE | 1 | SA |
| 1-5 | DB63-02650B | COVER-MPI | 1 | SA |
| 1-6 | DB93-09679A | ASSY-SPI SLIM COMPACT | 1 | SA |
| 1-7 | DB61-01977A | BRACKET-EVAP | 1 | SA |
| 2 | DB90-02738A | ASSY-PLATE HANGER | 1 | SA |
| 3 | DB92-02279L | ASSY PANEL FRONT | 1 | SA |
| 3-1 | DB64-02568A | PANEL FRONT | 1 | SA |
| 3-2 | DB63-02758E | FILTER-PRE | 2 | SA |
| 3-3 | DB97-11889A | ASSY COVER TERMINAL | 1 | SA |
| 3-4 | DB90-06135B | ASSY COVER DISPLAY | 1 | SNA |
| 3-5 | DB64-02566A | GRILLE-AIR INLET | 1 | SA |
| 3-6 | DB64-02567F | DECORATION-PANEL | 1 | SNA |
| 3-7 | DB67-00499D | CAP-SCREW | 3 | SA |
| 3-8 | DB93-10861A | ASSY PCB SUB-DISPLAY | 1 | SA |
| 4 | DB92-03509B | ASSY KIT | 1 | SNA |
| 4-1 | DB92-03443G | ASSY PCB MAIN | 1 | SA |
| 4-2 | DB90-08760A | ASSY CASE | 1 | SNA |
| 4-3 | DB61-04576A | CASE CONTROL-IN | 1 | SA |
| 4-4 | DB65-00325A | TERMINAL BLOCK-THERMAL FUSE | 1 | SA |
| 4-5 | DB32-00204A | SENSOR TEMP | 1 | SA |
| 4-6 | DB32-00205A | SENSOR TEMP | 1 | SA |
| 4-7 | DB93-08572A | ASSY CONNECTOR WIRE-RELAY | 1 | SA |
| 4-8 | DB93-10916F | ASSY CONNECTOR WIRE | 1 | SA |
| 4-9 | DB93-04695B | ASSY CONNECTOR WIRE | 1 | SA |
| 4-10 | DB93-10918C | ASSY CONNECTOR WIRE | 1 | SA |
| 5 | DB90-06284A | ASSY COVER CONTROL IN | 1 | SA |
| 6 | DB94-02961A | ASSY TRAY DRAIN | 1 | SA |
| 6-1 | DB63-01071A | TRAY-DRAIN | 1 | SA |
| 6-2 | DB61-03660A | BLADE-V | 2 | SA |
| 6-3 | DB66-01560A | BLADE-H | 1 | SA |
| 6-4 | DB69-01024A | CUSHION | 1 | SNA |
| 6-5 | DB31-00370B | MOTOR STEP | 1 | SA |
| 6-6 | DB73-00180B | RUBBER-CAP DRAIN | 1 | SA |
| 6-7 | DB63-01066A | TRAY-STABILIZER | 1 | SNA |
| 6-8 | DB94-00458D | ASSY HOSE DRAIN | 1 | SA |
| 7 | DB96-11950X | ASSY EVAP-TOTAL | 1 | SA |
| 7-1 | DB61-04580A | HOLDER-EVAP | 1 | SNA |
| 7-2 | DB67-60030A | SPRING-SENSOR | 2 | SA |
| 7-3 | DB96-06500H | ASSY TUBE EVAP IN | 1 | SA |
| 7-4 | DB96-11682J | ASSY TUBE EVAP OUT | 1 | SA |
| 8 | DB94-02076A | ASSY-CROSS FAN UNIT | 1 | SNA |
| 8-1 | DB94-00455B | ASSY-RUBBER BEARING | 1 | SC |
| 8-2 | DB94-01556B | ASSY-CROSS FAN | 1 | SA |
| 9 | DB31-00609A | MOTOR FAN | 1 | SA |
| 10 | DB93-11489C | ASSY WIRELESS REMOCON | 1 | SA |
| 11 | DB97-02418A | ASSY-SCREW TAPPING | 7 | SA |

OUTDOOR UNIT

Exploded View_AR24HSSPASNZZ



| NO | PartsCode | Parts Description | Spec | Quantity | Service |
|-------|----------------|----------------------------------|--|----------|---------|
| 1 | DB90-07186N | ASSY CABI FRONT | AQV24EWDX, SSEC | 1 | SA |
| 1-1 | DB98-08770K | ASSY-LOGO SAMSUNG | HP, PANTONE286C, G2-PD, 2 | 1 | SA |
| 2 | DB90-07157A | ASSY-GUARD FAN | XSA HI-EER, SSEC | 1 | SA |
| 2-1 | DB63-03658A | GUARD FAN | PP, EARTH BROWN | 1 | SNA |
| 3 | DB90-03103G | ASSY BASE OUT | P CHASSIS, SSEC | 1 | SNA |
| 4 | DB61-05432B | BRACKET-VALVE PAINTING | P/Q, GI-SGCC, 1.5, 1 | 1 | SA |
| 5 | DB67-00861A | FAN PROPELLER | -, SAN+GF20%, OD460, -, T3.5, - | 1 | SA |
| 6 | DB60-00437A | FASTENER-NUT FLANGE | SWRCH10A | 1 | SA |
| 7 | DB31-00512F | MOTOR FAN | FMBC531SSK, 124[W], 1050RPM, DC31 | 1 | SA |
| 8 | DB90-04194D | ASSY BRACKET MOTOR | KFRD-72W/MSD, FAC, SSEC | 1 | SA |
| 9 | DB94-03086A | ASSY PARTITION | maldive, SSEC | 1 | SA |
| 10 | DB96-14021B | ASSY COND UNIT | Maldives3, ASSY, 2R*36Step | 1 | SA |
| 11 | DB90-07187D | ASSY COVER-VALVE | AR24FSSEDWUXEU, SSEC, ASS | 1 | SA |
| 12 | DB90-07225M | ASSY-CABI SIDE RH | P-PJT | 1 | SA |
| 13 | DB90-07136C | ASSY CABINET-SIDE LF PAINT | AQ25VBFXHAC, A | 1 | SA |
| 14 | DB90-07183J | ASSY CABINET-UP | MH080FXEA4A, SSEC | 1 | SA |
| 15 | UG4T200FUAE4SS | RCP, 44, F, R410A | | 1 | SA |
| 15-1 | DB63-02296A | GROMMET ISOLATOR | 44F, NR, L32.5, ID11.5, OD3 | 3 | SNA |
| 15-2 | DB60-30028A | NUT-FLANGE | HWH, M8, ZPC (WHT), SWRCH18A, P1.2 | 3 | SA |
| 15-3 | 6021-001142 | NUT-HEXAGON FLANGE | M5, ZPC (WHT), SWRCH10A, | 1 | SA |
| 15-4 | DB63-02310A | COVER TERMINAL | SABIC N1250, 2.5, -, BLACK, N | 1 | SA |
| 15-5 | DB63-00817B | GASKET | A/C model, SIR, TO.8, 26.0, L80, A/C m | 1 | SA |
| 16 | DB96-15081D | ASSY-VALVE 4WAY | HP, INV, R410, P CHASSIS IN | 1 | SA |
| 16-1 | DB62-09658A | VALVE SERVICE-SPINDLE | ., 5/8", R410A, FLAR | 1 | SA |
| 16-2 | DB62-02338A | VALVE-4WAY | ., 2HP, COMMON | 1 | SNA |
| 16-3 | DB96-06998E | ASSY-SOLENOID COIL | WW3, SSEC | 1 | SNA |
| 17 | DB99-01005B | ASSY VALVE EEV | Maldives3, SSEC | 1 | SA |
| 17-1 | DB62-09652A | VALVE SERVICE | ., 1/4", R410A, FLARE | 1 | SA |
| 18 | DB93-15384A | ASSY CONTROL OUT PARTS | FA | 1 | SNA |
| 18-1 | DB92-03356C | ASSY PCB MAIN | OLD PF#3, OUT, -, 195*240, 220 | 1 | SA |
| 18-2 | DB93-10987A | ASSY CONNECTOR WIRE | 2, 1015, 16, WHT, ST7306 | 1 | SA |
| 18-3 | DB93-10988C | ASSY CONNECTOR WIRE | 3, 1015, 14, RED, MG6250 | 1 | SA |
| 18-4 | DB93-10821C | ASSY CONNECTOR WIRE-4WAY CONNECT | 2, 1015, | 1 | SA |
| 18-5 | DB61-04908A | CASE CONTROL-OUT | Q CHASSIS, ABS, GRAY, 5V, S | 1 | SNA |
| 18-6 | DB65-00061H | TERMINAL BLOCK | FORTE-PJT, PBT, 2-TAB, 2-SCR | 1 | SA |
| 18-7 | DB65-00298B | TERMINAL BLOCK | 11R RAC-INVERTER, P. B. T + | 1 | SA |
| 18-8 | DB93-09495J | ASSY CONNECTOR WIRE | 2, 1015, 14, BRN, 175022 | 1 | SA |
| 18-9 | DB93-11244B | ASSY CONNECTOR WIRE | 3, 1331, 14, BLU, MG6150 | 1 | SA |
| 18-10 | DB93-10987A | ASSY CONNECTOR WIRE | 2, 1015, 16, WHT, ST7306 | 1 | SA |
| 19 | DB63-02868A | FELT-COMP SIDE | P Chassis, FELT, T5 | 1 | SC |
| 20 | DB63-03321A | GUARD COND-BAR | UP080EAV, Q195, GY0180 | 1 | SA |
| 21 | DB95-04635C | ASSY THEMISTOR | RAC, SSEC | 1 | SA |
| 22 | DB95-04636D | ASSY THEMISTOR | CAC, SSEC | 1 | SA |
| 23 | DB27-00043C | COIL CHOKE-REACTOR | 5mH, 85.8*68*73 | 1 | SA |
| 24 | DB93-12121B | ASSY CONNECTOR WIRE-EARTH WIRE | 1, 1015, 18 | 1 | SA |
| 25 | DB82-00802A | A/S MICOM-EEPROM OUT | AQV24PSB, EUROPE, BLD | 0 | SA |
| 26 | DB63-02869A | FELT-COMP UPPER OUT | P Chassis, FELT+PVC, F | 1 | SA |
| 27 | DB63-02870A | FELT-COMP SIDE OUT | P Chassis, FELT+EVAR, F | 1 | SA |
| 28 | DB97-02066C | ASSY ACCESSORY | HP, NO, 18000, NO, -, N, SH18AW | 1 | SA |
| 28-1 | DB73-20134A | RUBBER-LEG | V2-MD, NR, 55 | 4 | SA |
| 28-2 | DB67-20011A | DRAIN-PLUG OUT | ASH-1814ER, PP, WHITE | 1 | SA |
| 29 | DB97-19890K | ASSY CUSHION BOTTOM OUT | PP, Q, WHITE | 1 | SNA |
| 30 | DB81-00635A | SPRING ETC-SENSOR | DVM-SYSTEM, STS304, R2.5 | 1 | SA |