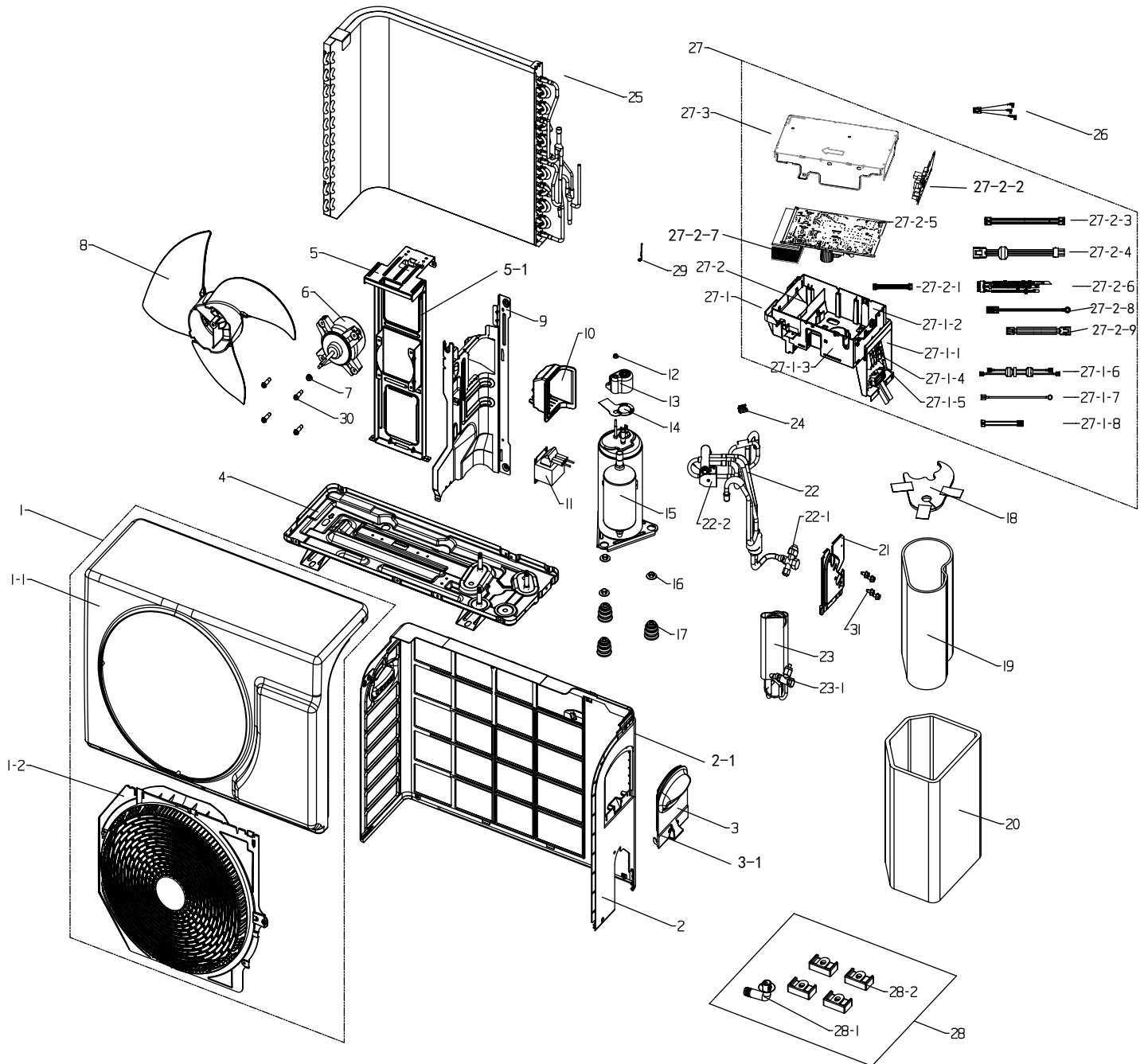


1. Exploded Views and Parts List

1-1 Outdoor Unit

AR09MSFPEWQXET



Parts List

Exploded Views and Parts List

NO.	Parts Code	Parts Description	Description	AR09MSFPEWQXET	SA/SNA
				Qty	
1	DB90-09392A	ASSY CABI FRONT	New V2 MD	1	SA
1-1	DB64-03209A	CABINET FRONT	NEW V2 MD INV,PP,EARTH BRO	1	SNA
1-2	DB63-03792A	GUARD FAN	NEW V2 MD INV,PP,EARTH BROWN	1	SNA
2	DB90-07202L	ASSY CABI SIDE	AR12KSFFPEWQXET,SSEC	1	SA
2-1	DB64-01518H	CABINET SIDE	AR12KSFFPEWQXET,PP,T2.5,EART	1	SNA
3	DB90-07938B	ASSY COVER CONTROL	New V2 MD	1	SNA
3-1	DB63-01428B	COVER CONTROL-OUT	V2,PP,EARTH BROWN	1	SA
4	DB90-09344A	ASSY BASE OUT	AR12KSFFPEWQXET,SSEC	1	SA
5	DB90-07727F	ASSY BRACKET MOTOR	V2,ASSY	1	SNA
5-1	DB61-05814B	BRACKET MOTOR	GI-SGCC,T1.0	1	SA
6	DB31-00642C	MOTOR BLDC FAN	RD-310-45-8B,310V,40W	1	SA
7	DB60-00437A	FASTENER-NUT FLANGE	SWRCH10A,14,1,2,6	1	SA
8	DB67-00971B	FAN PROPELLER	V2,PP+GF20%+PD20%,OD375,3,	1	SA
9	DB94-06058C	ASSY PARTITION	AR12KVSPCGMKAZ,SSEC	1	SA
10	DB63-03796A	COVER CASE	PBT,V0,BLACK	1	SNA
11	DB27-00120A	COIL HARMONIC	5mH,7A	1	SA
16	6021-001142	NUT-HEXAGON FLANGE	M5,ZPC(WHT),SWRCH10A,	1	SA
13	DB63-02310A	COVER TERMINAL	SABIC N1250,2.5,-,BLACK,N	1	SA
14	DB63-00817B	GASKET	A/C model,SIR,T0.8,26.0,L80,A/C m	1	SA
15	UG9AJ1090FJRSS	RCP,COMP,RCP,F,R410A	RCP,COMP,RCP,F,R410A	1	SA
16	DB60-30028A	NUT-FLANGE	HWH,M8,ZPC(WHT),SWRCH18A,P1.2	3	SA
17	DB63-03386A	GROMMET ISOLATOR	NR,33,11.5,34,BLACK	3	SA
18	DB63-02127A	FELT-COMP TOP OUT	AR09KSFHBMXKET,FELT/PV	1	SNA
19	DB63-02341A	FELT-COMP SIDE	FELT/PVC,T5+T1.6	1	SA
20	DB63-02521A	FELT-COMP OUT	AR12KSFFPEWQXET,FELT/PVC,T5	1	SNA
21	DB61-02586C	BRACKET VALVE	V2,GL-SAZCC,T1.0,L159,-,SS	1	SA
22	DB96-22140C	ASSY TUBE 4WAY	AR09MSFPEWQXET,SSEC	1	SA
22-1	DB62-02284A	VALVE SERVICE-SPINDLE	„3/8",R410A, FLAR	1	SA
22-2	DB95-01612D	ASSY-SOLENOID	RAC,SSEC	1	SA
23	DB96-23132A	ASSY TUBE CAPILLARY	AR09MSFPEWQXET,SSEC	1	SA
23-1	DB62-02283A	VALVE SERVICE-SPINDLE	„1/4",R410A, FLAR	1	SA
24	DB61-06604A	HOLDER SENSOR	NEW V2 MD INV.,STS430,T0.5	1	SNA
25	DB96-23126A	ASSY COND BENDING	AR09MSFPEWQXET,SSEC	1	SA
26	DB93-11244A	ASSY CONNECTOR WIRE	3,1331,16,RED,MG6150	1	SA
27	DB93-16350A	ASSY CONTROL OUT	HP,INV,9K,EMI,N V2MD+PF	1	SNA
27-1	DB90-07410E	ASSY CASE CONTROL	NEW V2,PF2_17S,EMI	1	SNA
27-1-1	DB61-06715B	PLATE CONTROL	GI-SGCC,T0.6	1	SNA
27-1-2	DB61-06714A	CASE CONTROL-OUT	HIPS,T2.0,BLACK	1	SNA
27-1-3	DB61-06713A	PLATE CONTROL-LOW	GI-SGCC,T0.3	1	SNA
27-1-4	DB65-00274A	TERMINAL BLOCK	TERMINAL BLOCK,Polycarbon	1	SA
27-1-5	DB65-00298B	TERMINAL BLOCK	11R RAC-INVERTER,P.B.T +	1	SA
27-1-6	DB93-09495S	ASSY CONNECTOR WIRE-POWER	2,1015,16,BRN,	1	SA
27-1-7	DB93-12121B	ASSY CONNECTOR WIRE-EARTH WIRE	1,1015,18	1	SA
27-1-8	DB93-16402A	ASSY CONNECTOR WIRE-COMM	2,1007,22,RED,Y	1	SA
27-2	DB92-04082A	ASSY KIT	OUTDOOR,PF2_17S, N-V2MD	1	SNA
27-2-1	DB93-07452B	ASSY CONNECTOR WIRE-DC SIGNAL	8,1007,26,	1	SA
27-2-2	DB92-04025A	ASSY PCB INVERTER	INVERTER,PF#2_17S,142'	1	SA
27-2-3	DB93-15320A	ASSY CONNECTOR WIRE-REACTOR	2,1015,16,WH	1	SA
27-2-4	DB93-10842D	ASSY CONNECTOR WIRE-COMP	3,1015,16,RED,M	1	SA
27-2-5	DB92-04029B	ASSY PCB MAIN	MAIN,RAC_OUT_MAIN,142*48.5	1	SA
27-2-6	DB95-05164A	ASSY THERMISTOR OUT	103AT,6P,600/280/760	1	SA
27-2-7	DB62-12196B	HEAT SINK	PF2_17S,AI,3,55,142,DUCT,43	1	SNA
27-2-8	DB93-12121C	ASSY CONNECTOR WIRE	1,1015,18,YEL/GRN,ST	1	SA
27-2-9	DB93-16403A	ASSY CONNECTOR WIRE-AC SIGNAL	2,1015,18,	1	SA
27-3	DB90-08427B	ASSY CASE CONTROL-UP	N-V2MD,ASSY	1	SNA
28	DB97-02066C	ASSY ACCESSORY	HP,NO,18000,NO,-,N,SH18AW	1	SA
28-1	DB67-20011A	DRAIN-PLUG OUT	ASH-1814ER,PP,NATURAL	1	SA
28-2	DB67-01533A	RUBBER-LEG	All frame,NR,BLACK	4	SNA
29	DB81-00635A	SPRING ETC-SENSOR	DVM-SYSTEM,STS304,R2.5	1	SA
30	6009-001729	SCREW-SPECIAL	HWH,+,M5,L26,ZPC(WHT),SWRC	4	SNA
31	6003-001053	BOLT-HEX	M6,L12,ZPC(WHT),SWRCH18A,HWH He	4	SNA
32	DB97-02418A	ASSY-SCREW TAPPING	SS-PJ,TH,M4*L14	5	SA
33	DB82-03722A	A/S ASSY CH SET-EEPROM OUT	AR09MSFPEWQX,	10	SA