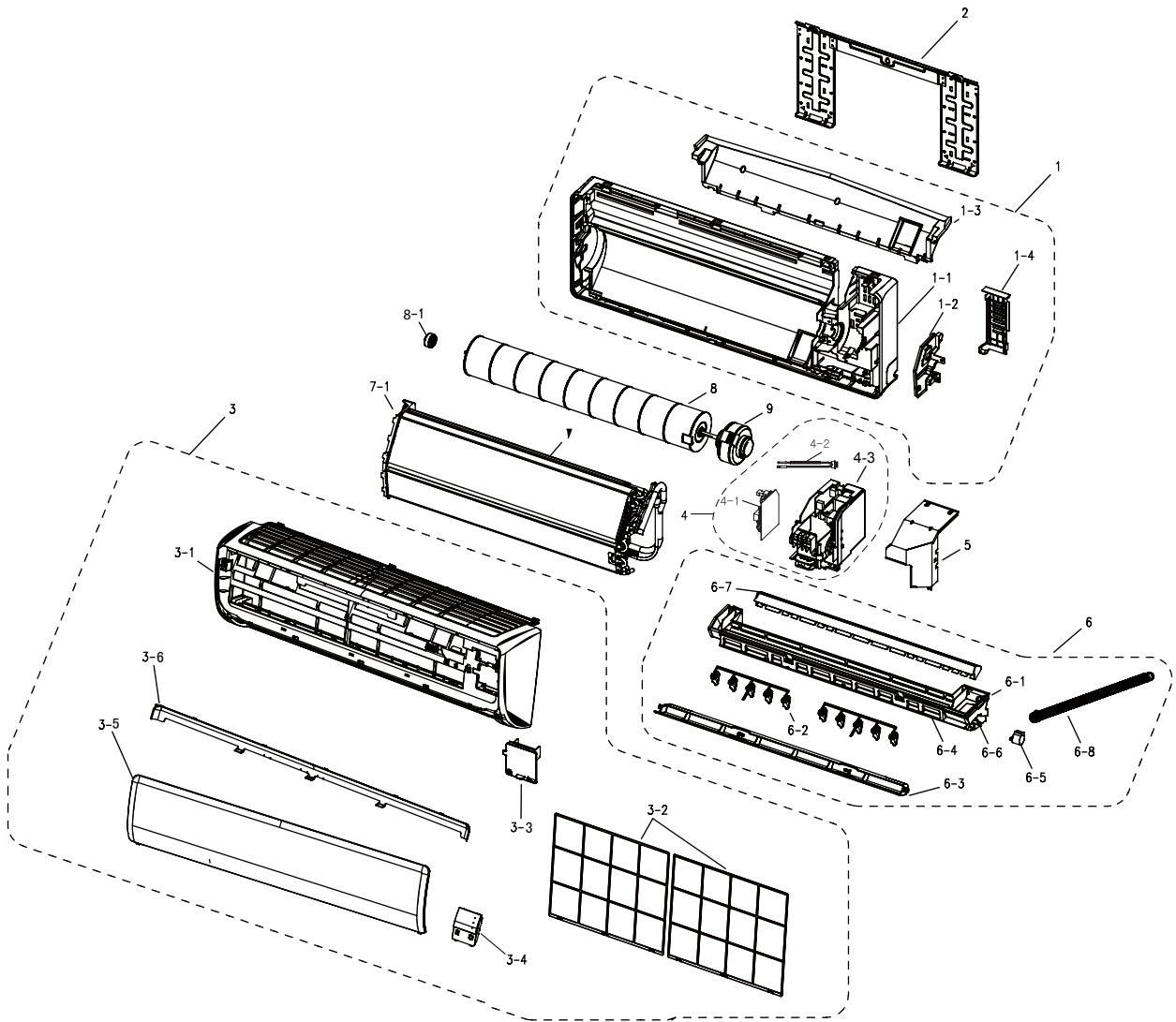


5. Exploded Views and Parts List

5-1 Indoor Unit

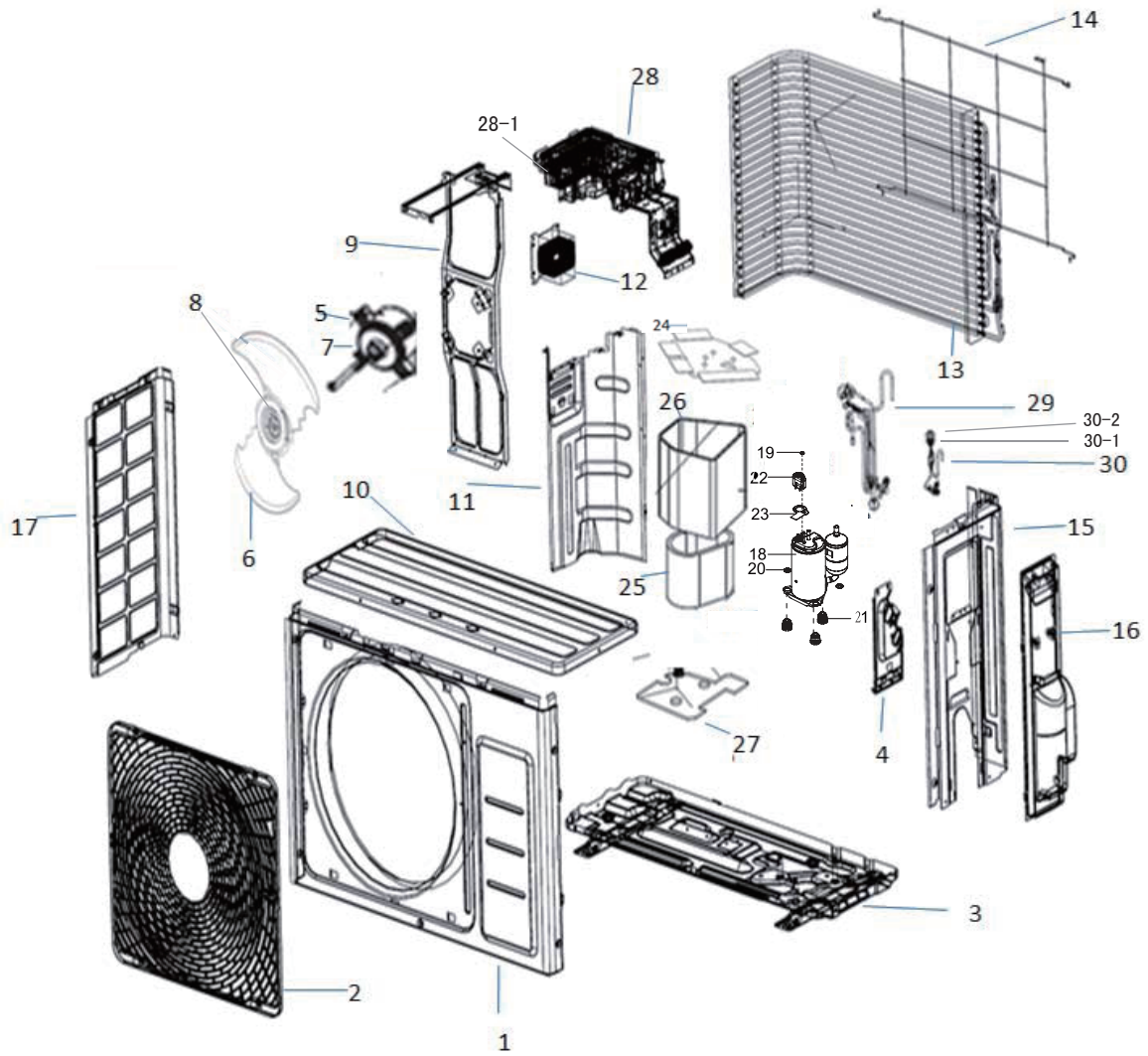
AQV18/24PSBN



■ Parts List

No.	Parts Code	Parts Description	Spec.	AQV18/24PSBNSER	Service
				Q' TY	
1	DB94-00615F	ASSY BACK BODY	ASSY	1	SA
1-1	DB61-04681A	BODY BACK	HIPS	1	SA
1-2	DB90-04857A	ASSY-SUPPORT EVAP	ASSY	1	SA
1-3	DB69-01039A	CUSHION-BACK BODY	EPS (30)	1	SA
1-4	DB61-01981C	HOLDER-PIPE	HIPS	1	SA
2	DB90-02738A	ASSY-PLATE HANGER	ASSY	1	SA
3	DB92-02279B	ASSY PANEL FRONT	ASSY	1	SA
3-1	DB64-02568A	PANEL FRONT	HIPS	1	SA
3-2	DB63-02758B	FILTER-PRE	PP	2	SA
3-3	DB97-11889A	ASSY COVER TERMINAL	ASSY	1	SA
3-4	DB90-06135A	ASSY COVER DISPLAY	ASSY	1	SA
3-5	DB64-02566C	GRILLE-AIR INLET	HIPS	1	SA
3-6	DB64-02567B	DECORATION-PANEL	HIPS	1	SA
4	DB93-10958A	ASSY CONTROL IN	ASSY	1 (18K)	SNA
	DB93-10958C	ASSY CONTROL IN	ASSY	1 (24K)	SNA
4-1	DB93-10956A	ASSY PCB MAIN-IN	PCB	1	SA
4-2	DB95-04570B	ASSY THERMISTOR IN	PCB	1	SA
4-3	DB90-06313A	ASSY CASE CONTROL IN	ASSY	1 (18K)	SNA
	DB90-06313C	ASSY CASE CONTROL IN	ASSY	1 (24K)	SNA
5	DB90-06284A	ASSY COVER CONTROL IN	ASSY	1	SA
6	DB94-02961A	ASSY TRAY DRAIN	ASSY	1	SA
6-1	DB63-01071A	TRAY-DRAIN	ABS	1	SA
6-2	DB61-03660A	BLADE-V	PP	2	SA
6-3	DB66-01560A	BLADE-H	ABS	1	SA
6-4	DB69-01024A	CUSHION	EPS	1	SA
6-5	DB31-00370A	MOTOR STEP	DC12V, 800gf. cm	1	SA
6-6	DB62-02941A	SEAL-TRAY RH	FOAM-PE	1	SA
6-7	DB63-01066A	TRAY-STABILIZER	HIPS	1	SA
6-8	DB94-00458D	ASSY HOSE DRAIN	ASSY	1	SA
7	DB96-11950F	ASSY EVAP TOTAL	ASSY	1	SA
7-1	DB61-04580A	HOLDER-EVAP	HIPS	1	SA
8	DB94-02076A	ASSY-CROSS FAN UNIT	ASSY	1	SA
8-1	DB94-00455B	ASSY-RUBBER BEARING	ASSY	1	SA
9	DB31-00589A	MOTOR FAN	SIC-37CVJ-F127-3	1	SA

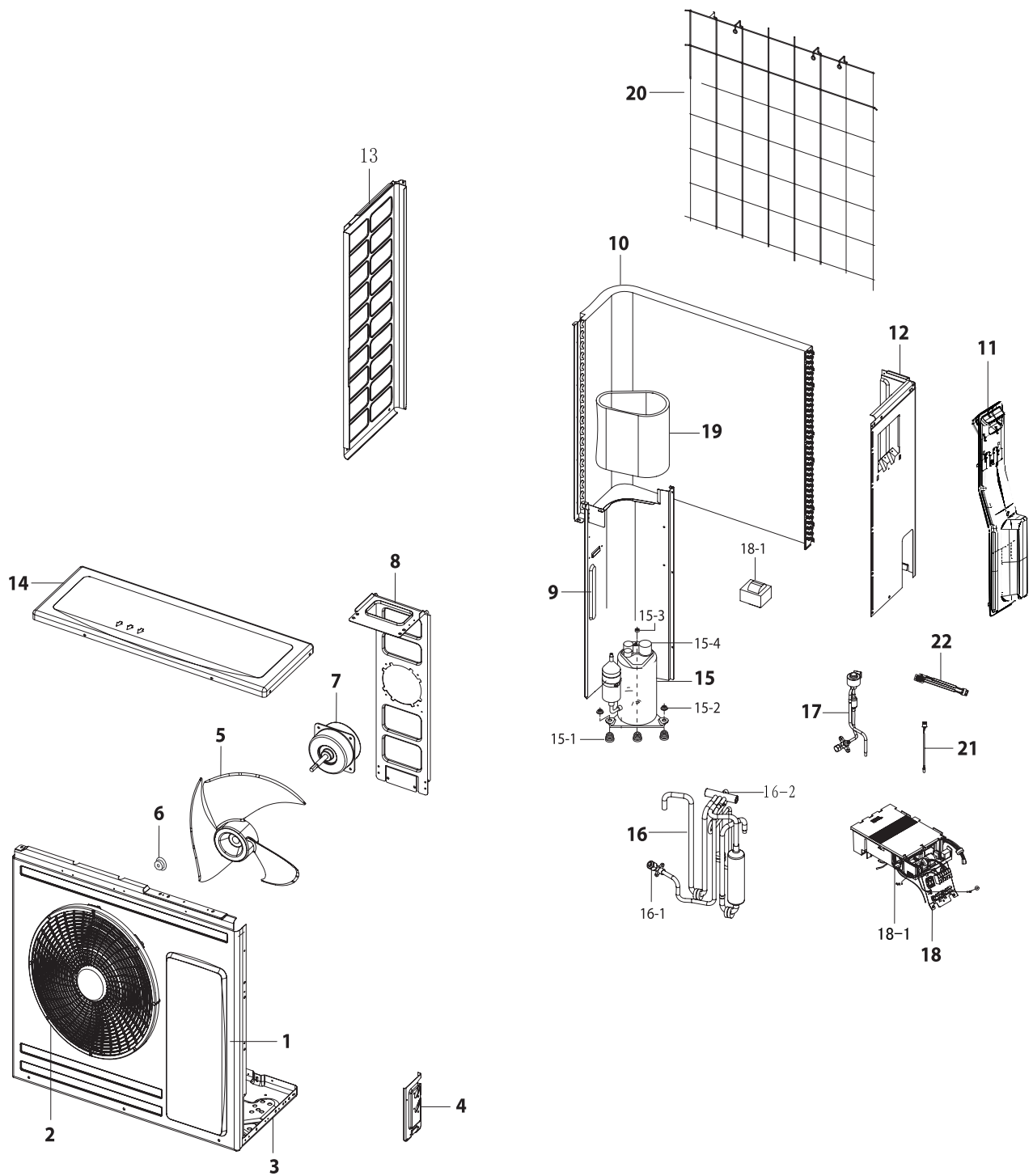
5-2 Outdoor Unit



■ Parts List

No.	Code No.	Description	Specification	Qty	SA/SNA
				AQV18PSBXSER	
1	DB90-05752A	ASSY CABI FRONT	ASSY	1	SA
2	DB63-02588A	GUARD FAN	PP	1	SA
3	DB90-05746A	ASSY BASE OUT	ASSY	1	SA
4	DB61-04339A	BRACKET-VALVE	SGCC-M (PAINTED)	1	SA
5	DB31-00564A	MOTOR FAN	ASSY	1	SA
6	DB67-01042A	FAN-PROPELLER	PP-(GF+PD) 40, Φ410	1	SA
7	6009-001369	SCREW-HEX	M4, L12	3	SA
8	DB60-30020A	SCREW-MACHINE	M6, ZPC (WHT)	1	SA
9	DB61-04320A	BRACKET MOTOR	SGCC-M	1	SA
10	DB90-05736A	ASSY CABINET-UPPER	ASSY	1	SA
11	DB94-02998A	ASSY-PARTITION	ASSY	1	SA
12	DB27-00042B	COIL CHOKE-REACTOR	5mH, 15A	1	SA
13	DB96-15137A	ASSY COND	ASSY	1	SA
14	DB64-02444A	SCREEN-COND BAR	ASSY	1	SA
15	DB90-05751A	ASSY CABINET-SIDE RH	ASSY	1	SA
16	DB90-05740A	ASSY COVER VALVE	ASSY	1	SA
17	DB90-05749A	ASSY CABINET-SIDE LF	ASSY	1	SA
18	UG4T150FUAJQSS	COMPRESSOR	ROTARY	1	SA
19	6021-001142	NUT-HEXAGON FLANGE	M5, ZPC (YEL)	1	SA
20	DB60-30028A	SCREW-HEX	M8, ZPC (WHT)	3	SA
21	DB63-02296A	GROMMET ISOLATOR	ASSY	3	SA
22	DB63-02310A	COVER TERMINAL	NORYL	1	SA
23	DB63-00817B	GASKET	EPDM RUBBER	1	SA
24	DB63-02865A	FELT-COMP UPPER OUT	FELT+PVC	1	SA
25	DB63-02862A	FELT-COMP SIDE	FELT	1	SA
26	DB63-02866A	FELT-COMP SIDE OUT	FELT+PVC	1	SA
27	DB63-02864A	FELT-COMP BASE	FELT	1	SA
28	DB93-10960B	ASSY CONTROL OUT	ASSY	1	SNA
28-1	DB93-10952A	ASSY PCB MAIN OUT	ASSY	1	SA
29	DB96-15136A	ASSY-VALVE 4WAY	ASSY	1	SA
30	DB96-15135A	ASSY-EEV	ASSY	1	SA
30-1	DB62-04065A	VALVE EXPANSION BODY	FUJIKOKI Φ1.65	1	SA
30-2	DB62-05932B	VALVE EXPANSION COIL	FUJIKOKI 6-PIN	1	SA

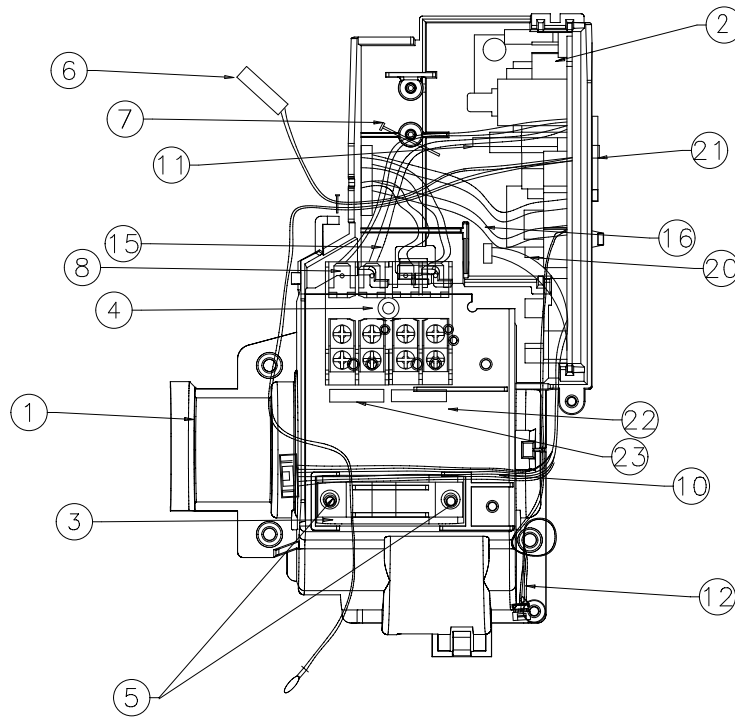
5-2 OUTDOOR UNIT



Parts List

No.	Part Code	Parts Description	Spec	AQV24PSBXSER	Service
				Quantity	
1	DB90-03918L	ASSY CABI FRONT-TOTAL	ASSY	1	SA
2	DB94-02034A	ASSY-GUARD FAN	ASSY	1	SA
3	DB90-03278H	ASSY BASE OUT-TOTAL	ASSY	1	SA
4	DB61-01593C	BRACKET-VALVE	SECC-P	1	SA
5	DB67-00861A	FAN-PROPELLER	AS+GF20%	1	SA
6	DB60-30020A	NUT-HEXAGON FLANGE	M6	1	SA
7	DB31-00512D	MOTOR FAN	FMBC531SSF	1	SA
8	DB90-04194B	ASSY BRACKET MOTOR	ASSY	1	SA
9	DB94-03086A	ASSY PARTITION	ASSY	1	SA
10	DB96-14021B	ASSY COND UNIT	ASSY	1	SA
11	DB90-05371A	ASSY-COVER VALVE	ASSY	1	SA
12	DB90-04127M	ASSY-CABI SIDE RH	ASSY	1	SA
13	DB90-03932C	ASSY CABINET-SIDE LF PAINT	ASSY	1	SA
14	DB90-03275A	ASSY CABINET-UP	ASSY	1	SA
15	UG4T200FUA4SS	COMPRESSOR	-	1	SA
15-1	DB63-02296A	GROMMET ISOLATOR	NR	3	SA
15-2	DB60-30028A	SCREW-HEX	M8	3	SA
15-3	6021-001142	NUT-HEXAGON FLANGE	M5	1	SA
15-4	DB63-02310A	COVER TERMINAL	55F	1	SA
16	DB96-15081A	ASSY-VALVE 4WAY	ASSY	1	SA
16-1	DB62-09658A	VALVE SERVICE	5/8"	1	SA
16-2	DB62-02338A	VALVE-4WAY	R410A	1	SA
17	DB99-01005B	ASSY VALVE EEV	ASSY	1	SA
18	DB93-10961A	ASSY CONTROL OUT	ASSY	1	SNA
18-1	DB93-10939A	ASSY PCB MAIN OUT	ASSY	1	SA
19	DB63-02868A	FELT-COMP SIDE	T5	1	SA
20	DB63-02395A	GUARD-COND BAR	SG-90073T	1	SA
21	DB95-04636A	ASSY-THERMISTOR	ASSY	1	SA
22	DB81-00635A	SPRING ETC-SENSOR	STS304	1	SA

5-3 ASSY-CONTROL IN

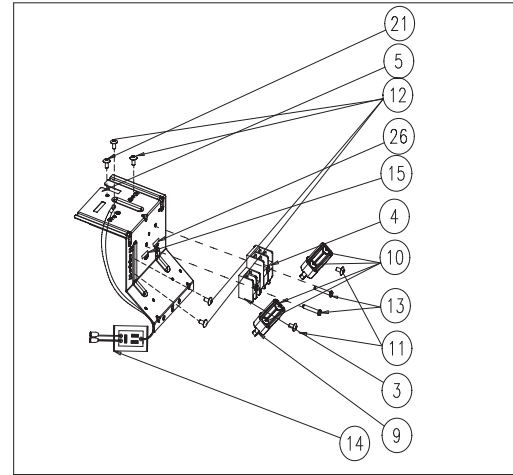
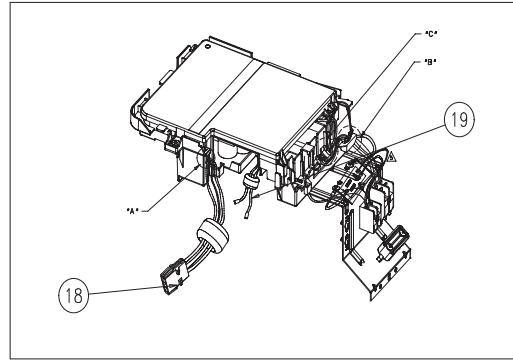
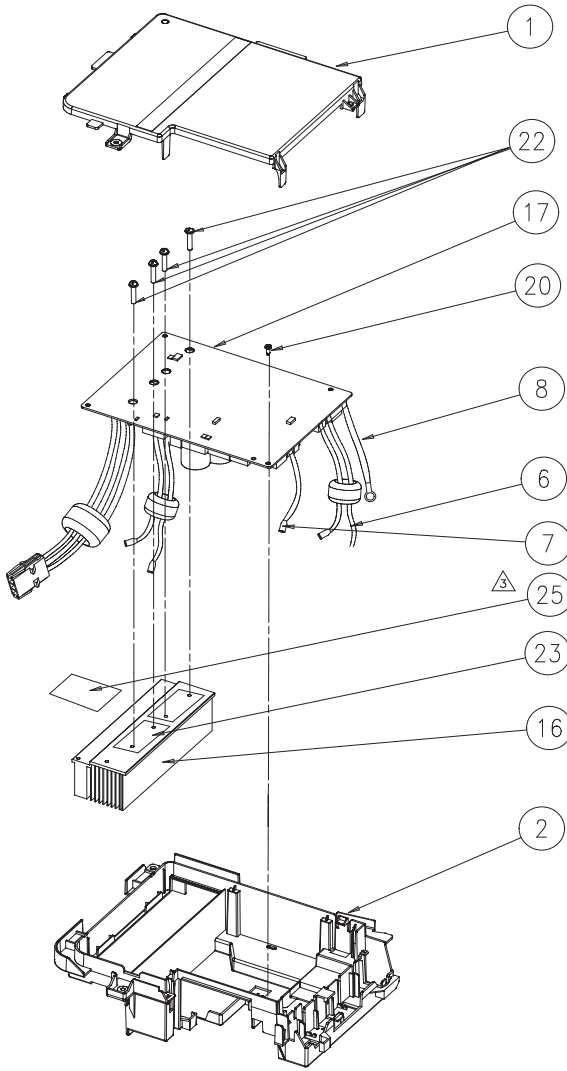


DB93-10958A/DB93-10958C

PartList

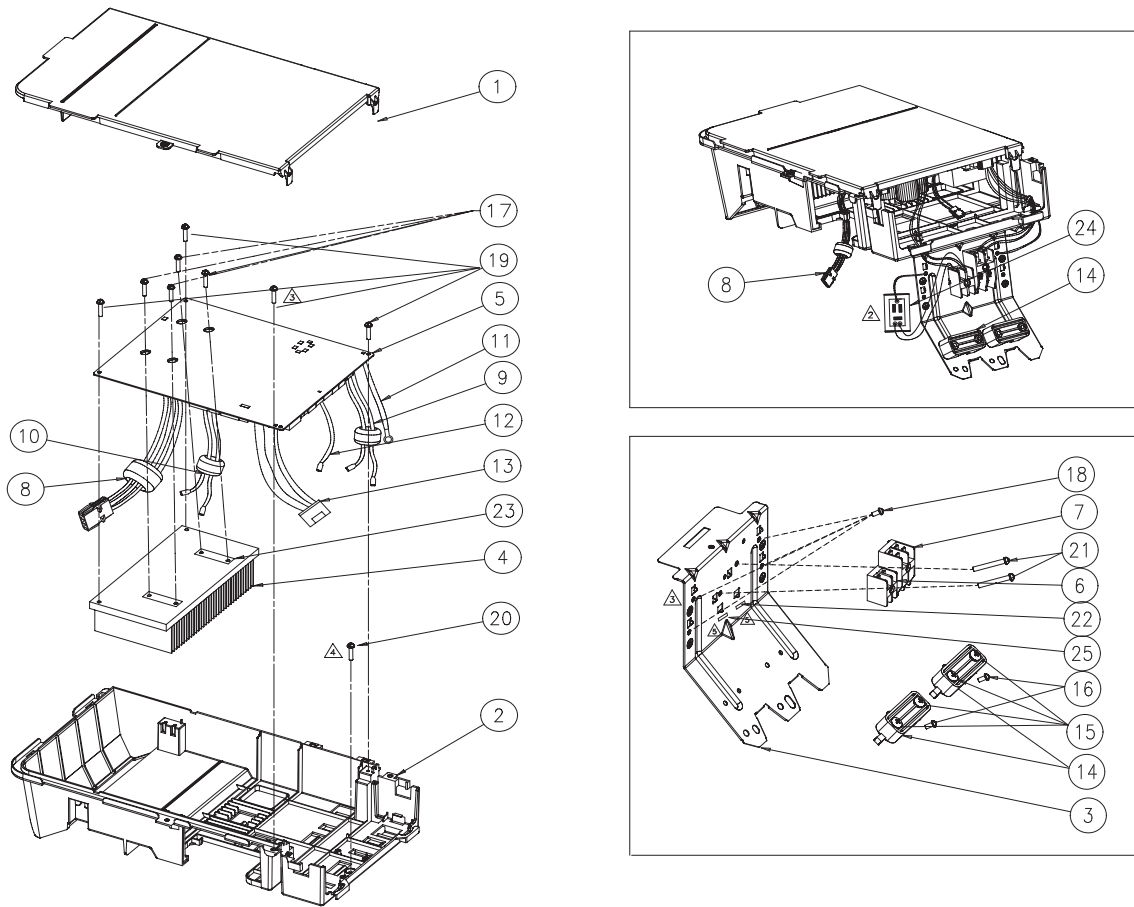
	ASSY CONTROL IN CODE		DB93-10958A	DB93-10958B	DB93-10958C	DB93-10958D	DB93-10958E			
	Model		AQV18PSBNSER 18K H/P	JUNGFRAU 9~18K H/P	AQV24PSBNSER 24K H/P	MALDIVE3 18K H/P MPI	MALDIVE3 24K H/P MPI			
NO	NAME	SPEC	CODE-NO	QTY	CODE-NO	QTY	CODE-NO	QTY	CODE-NO	QTY
1	CASE CONTROL IN	MALDIVE	DB61-04576A	1	DB61-04726A	1	DB61-04576A	1	DB61-04576A	1
2	ASS'Y PCB MAIN	MALDIVE3	DB93-10956A	1	DB93-10956B	1	DB93-10956A	1	DB93-10956A	1
3	HOLDER WIRE CLAMP	ABS,BLK,V21-PJ	DB61-01097A	1	DB61-01097A	1	DB61-01097A	1	DB61-01097A	1
4	SCREW	PH M3*L25	DB91-00309A	1	6001-000929	1	DB91-00309A	1	DB91-00309A	1
5	SCREW	TH M4*L10	DB97-02418A	2	DB97-02418A	3	DB97-02418A	2	DB97-02418A	2
6	ASS'Y THERMISTOR	3*,BLK,SMH200,WHI	DB95-04570B	1	DB95-04570E	1	DB95-04570B	1	DB95-04570B	1
7	CABLE TIE	NYLON66	DB65-10088D	1	DB65-10088D	2	DB65-10088D	1	DB65-10088D	1
8	TERMINAL BLOCK	[1(L),2(N),F1,F2]	DB65-00176C	1	DB65-00176C	1	DB65-00176C	1	DB65-00176C	1
9	TERMINAL BLOCK	(F1,F2)	DB65-00297A	1	DB65-00297A	1	DB65-00297A	1	DB65-00297A	1
10	MAIN PBA TO DISPLAY	10 PIN TO 9 PIN	DB93-10918H	1	DB93-10918L	1	DB93-10918H	1	DB93-10918H	1
11	MAIN PBA TO TERMINAL	2 PIN	DB93-10917A	0	DB93-10917A	0	DB93-10917A	0	DB93-10917A	0
12	ASSY C/W LOUVER	5 PIN,250mm,WHITE	DB93-04688B	1	DB93-10918D	1	DB93-04688B	1	DB93-04688B	1
13	ASSY C/W LOUVER	5 PIN,BLK	DB93-10918E	0	DB93-10918E	1	DB93-10918E	0	DB93-10918E	0
14	ASSY C/W LOUVER	5 PIN,RED	DB93-10918F	0	DB93-10918K	1	DB93-10918F	0	DB93-10918F	0
15	POWER IN WIRE	2 PIN	DB93-10942A	1	DB93-10942A	1	DB93-10942A	1	DB93-10942A	1
16	COMM WIRE	2 PIN	DB95-04339D	1	DB95-04339D	1	DB95-04339D	1	DB95-04339D	1
17	MPI WIRE	4 PIN,100mm	DB93-04695B	0	DB93-04695B	1	DB93-04695B	1	DB93-04695B	1
18	PLATE CONTROL IN	JUNGFRAU	DB61-04724A	0	DB61-04724A	1	DB61-04724A	0	DB61-04724A	0
19	ASS'Y HUMIDITY	3PIN	DB95-01703A	0	DB95-01703A	1	DB95-01703A	0	DB95-01703A	0
20	FJM WIRE	10PIN	DB93-10943H	1	DB93-10943H	1	DB93-10943H	1	DB93-10943H	1
21	LABEL	LABEL	DB68-02809A	1	DB68-02809A	1	DB68-02809A	1	DB68-02809A	1
22	COMMUNICATION LABEL	LABEL	DB98-33292A	1	DB98-33292A	1	DB98-33292A	1	DB98-33292A	1
23	POWER LABEL	LABEL	DB98-33293A	1	DB98-33293A	1	DB98-33293A	1	DB98-33293A	1

5-4 Ass'y Control Out DB93-10960B(AQV18PSBNSER)



ASSY CONTROL OUT CODE				DB93-10960A	DB93-10960B	DB93-10960C
通用型号				BLDC FAN AQV09/12PSBX AQV09/12YWAX AQV09/12KBAX	BLDC FAN AQV18PSBX AQV18YWAX AQV18KBAX	BLDC FAN 50KW 150 COMP DOM
NO	CODE-NO	NAME	SPEC	QTY	QTY	QTY
1	DB61-04659A	CASE CONTROL-COVER	SI	1	1	1
2	DB61-04658A	CASE CONTROL-BASE	SI/OI	1	1	1
3	DB65-00297A	TERMINAL BLOCK	TERMINAL BLOCK-ASSY	1	1	1
4	DB65-00298B	TERMINAL BLOCK	TERMINAL BLOCK-ASSY	1	1	1
5	DB61-04324A	PLATE-CONTROL OUT	SI	1	1	1
6	DB93-09495E	WIRE-POWER	AWG16, BRN, SKYBLU	0	0	1
	DB93-09495G	WIRE-POWER	AWG16, BRN, SKYBLU	1	1	0
7	DB93-09496A	WIRE-COMUNICATION	AWG22, RED, BLU	1	1	1
8	DB93-09494A	WIRE-EARTH	AWG20, GRNYEL	0	1	1
	DB93-09494C	WIRE-EARTH	AWG20, GRNYEL	1	0	0
9	DB61-00250A	HOLDER-WIRE CLAMP	HOLDER-WIRE CLAMP	2	2	2
10	6002-000214	SCREW	TH, +, -, 1, M4.0, L16, ZPC(BLK)	4	4	4
11	6001-001054	SCREW	M4, L25	2	2	2
12	6009-001001	SCREW	TH+	4	4	4
13	6002-000555	SCREW	M4, L25	2	2	2
14	DB95-01712L	ASSY NOISE ABSORBER	*	0	0	1
	DB95-01712M	ASSY NOISE ABSORBER	*	1	1	0
15	DB98-33292A	LABEL	COMM-POWER	1	1	1
	DB62-09724A	HEAT SINK	OI	1	0	0
	DB62-09725A	HEAT SINK	SI	0	1	1
17	DB93-10952A	ASSY PCB MAIN	SI	1	1	DB93-10952C
18	DB93-09497B	WIRE-COMP	AWG16, RED, BLU, YEL	0	0	1
	DB93-09497C	WIRE-COMP	AWG16, RED, BLU, YEL	1	1	1
19	DB93-09493B	WIRE-REACTOR	AWG16, WHT	0	0	1
	DB93-09493C	WIRE-REACTOR	AWG16, WHT	1	1	0
20	6002-000630	SCREW	PH +	1	1	1
21	6002-000527	SCREW	M4, L10	1	1	1
22	DB91-00306A	ASSY-SCREW MACHINE	M3, L16	4	4	4
23	DB98-24813A	THERAL GREASE	NYLON66	2g	2g	2g
	DB65-10088D	CABLE-TIE		0	0	0
25	DB62-04956E	INSULATION-COND IN		1	0	0
26	DB98-33293A	LABEL	POWER	1	1	1

5-4 Ass'y Control Out DB93-10961A (AQV24PSBNSER)



ASSY CONTROL OUT CODE				DB93-10961A	DB93-10961B
Model				BLDC FAN AQV24PSB	BLDC FAN 72KW HUANGSHAN
NO	CODE-NO	NAME	SPEC	QTY	QTY
1	DB61-04908A	CASE CONTROL-COVER	PF3	1	1
2	DB61-04910A	CASE CONTROL-BASE	PF3	1	1
3	DB61-04698A DB61-05018A	PLATE-CONTROL OUT	PF3	1	1
4	DB62-09721A	HEAT SINK	PF3	± 0	1
	DB62-10653A	HEAT SINK	PF3	1	0
5	DB93-10939A	ASSY PCB MAIN	PF3	1	DB93-10939D
6	DB65-00297A DB65-00061H	TERMINAL BLOCK	TERMINAL BLOCK-ASSY	1	1
7	DB65-00298B	TERMINAL BLOCK	TERMINAL BLOCK-ASSY	1	1
8	DB93-10988A	WIRE-COMP	AWG16, RED, BLU, YEL	1	1
9	DB93-09495B	WIRE-POWER	AWG16, BRN, SKYBLU	± 0	1
	DB93-09495H	WIRE-POWER	AWG16, BRN, SKYBLU	1	0
10	DB93-10987A	WIRE-REACTOR	AWG16, WHT	1	1
11	DB93-09494B	WIRE-EARTH	AWG20, GRNYEL	1	1
12	DB93-11218A	WIRE-COMMUNICATION	AWG22, RED, BLU	1	1
13	DB93-10821A	WIRE-4 WAY	AWG18, BLU	1	1
14	DB61-00250A	HOLDER-WIRE CLAMP	HOLDER-WIRE CLAMP	2	2
15	6002-000214	SCREW	TH, +, -, 1, M4.0, L16, ZPC(BLK)	4	4
16	6001-001054	SCREW	M4, L25	2	2
17	DB91-00306A	ASSY-SCREW MACHINE	M3, L16	4	4
18	6009-001001	SCREW	M4, L8	± 4	3
19	6002-000630	SCREW	M3, L8	± 4	3
20	6002-000527	SCREW	M4, L10	± 0	1
21	6002-000555	SCREW	M4, L25	2	2
22	DB98-33293A DB98-33293A	LABEL	COMM/POWER-POWER	1	1
23	DB98-24813A	THERMAL GREASE		2g	2g
24	DB98-01712A DB98-01712A	ASSY NOISE ABSORBER		± 1	0
25	DB98-33292A	LABEL	COMM	1	1