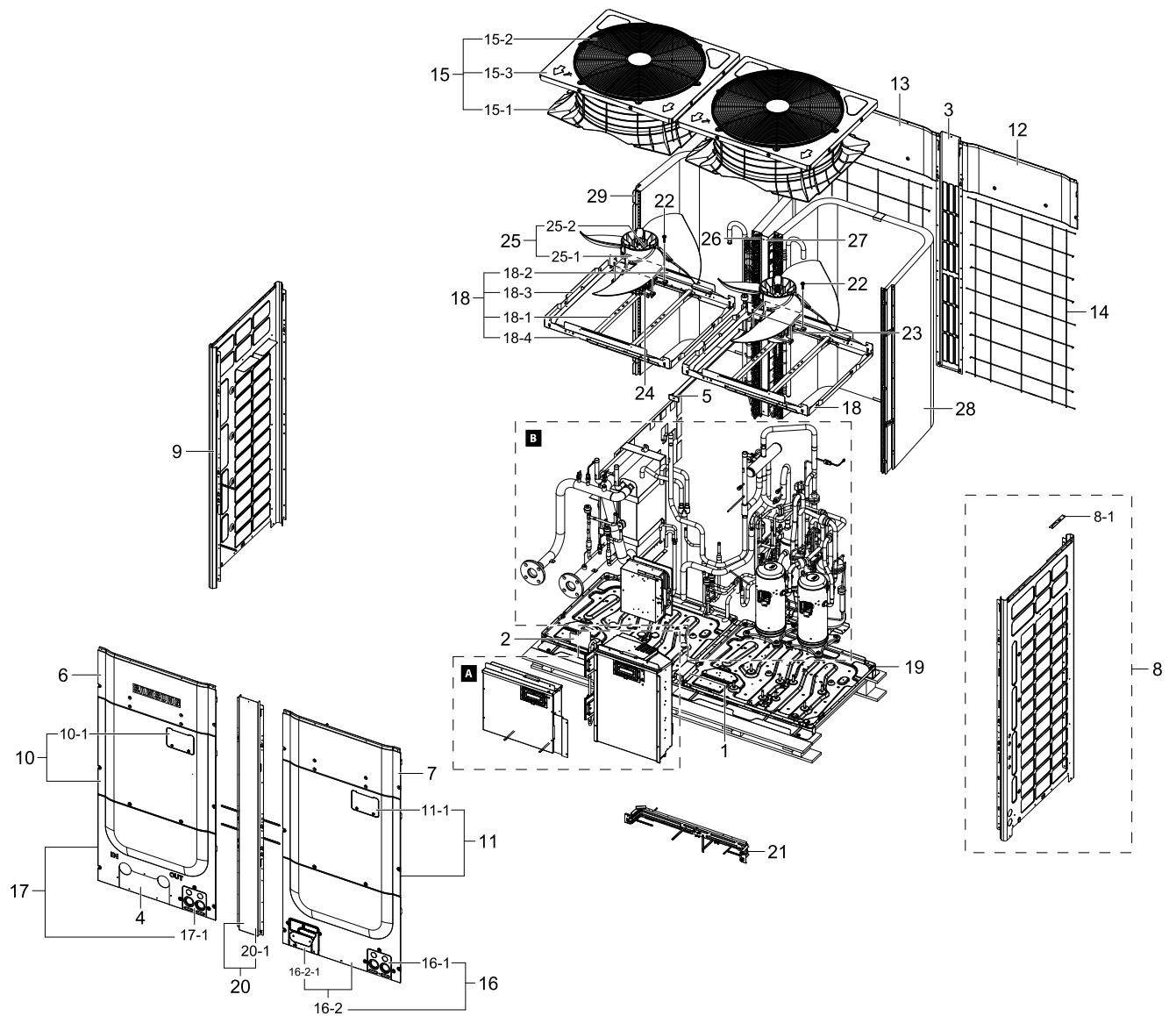


1. AG070KSVANH/EU

Exploded View



Parts List

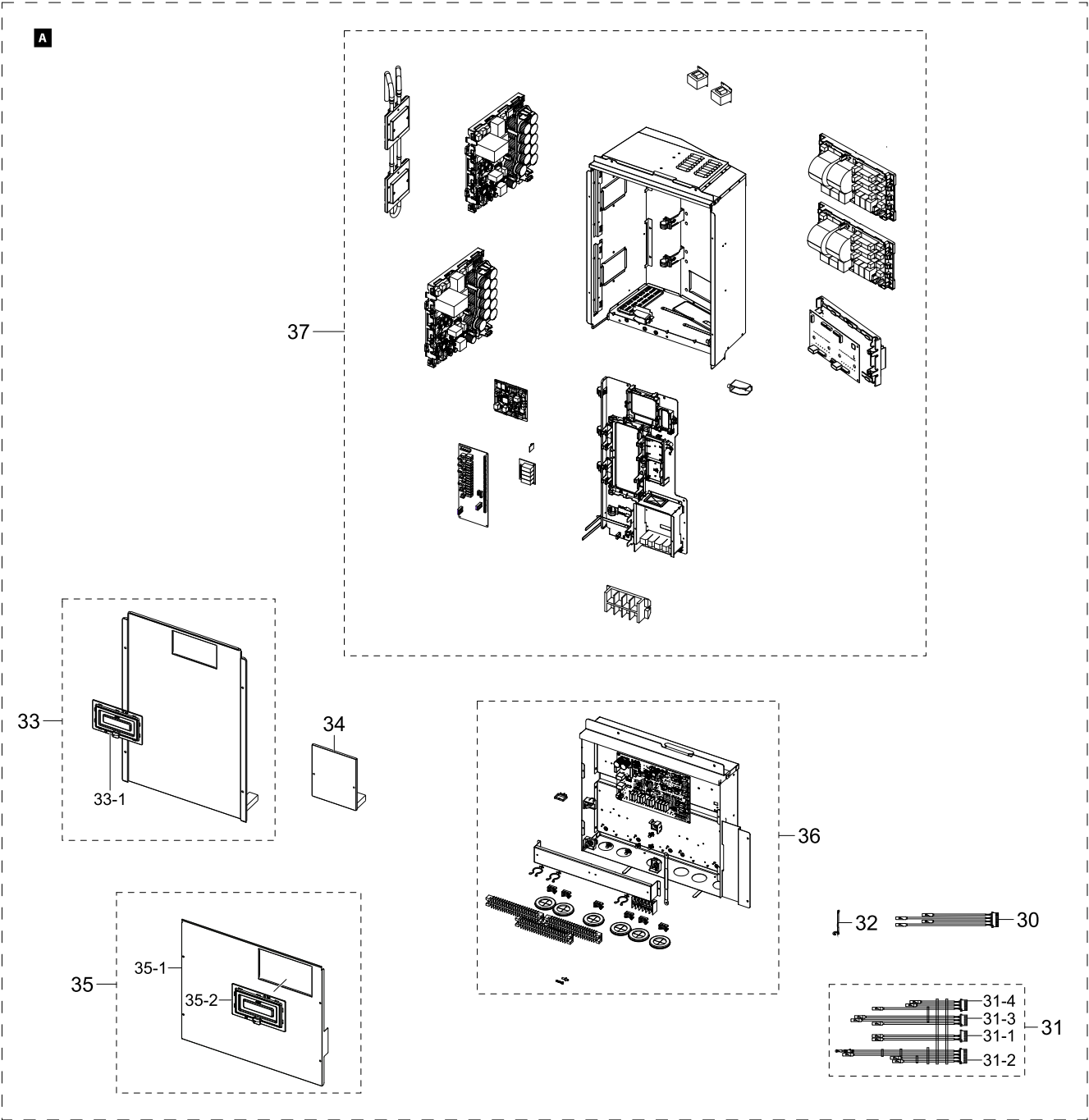
No.	Lvl.	Loc.	Material Code	Description & Specification	SNA	Qty.
1	2		DB61-06633A	BRACKET-BODY; GI-SGCC,T0.8	SA	1
2	2		DB61-06642A	BRACKET TUBE; EGI-SECC,T2,EARTH BROWN,DAC	SA	2
3	2		DB64-03215A	CABINET BACK-BEAM; DVM CHILLER,EGI-SECC,T	SA	1
4	2		DB64-03219A	CABINET FRONT-BEAM; EGI-SECC,T1,EARTH BRO	SA	1
5	2		DB64-03220A	CABINET TOP-BEAM; EGI-SECC,T1,EARTH BROWN	SA	1
6	2	A0175	DB90-02121G	ASSY CABI FRONT-UP 10HP; RVXVHT100H4,DVM	SA	1
7	2		DB90-02121L	ASSY CABI FRONT-UP; AG042KSVANH/EU	SA	1
8	2		DB90-05200E	ASSY CABI SIDE-RH; AM9000H	SA	1
8-1	3		DB61-06429A	BRACKET-SUPPORT; GI-SGCC,T1.6	SA	1

Exploded Views and Parts List

No.	Lvl.	Loc.	Material Code	Description & Specification	SNA	Qty.
9	2	A0204	DB90-05201C	ASSY CABI SIDE-LF; RD200HHXH2,DVM PLUS 4	SA	1
10	2		DB90-05206G	ASSY CABI FRONT-MD 12HP; DVM S TRANE,DVM	SA	1
10-1	3		DB63-02406B	COVER-WINDOW DISPLAY; DVM PLUS 4,EGI-SECC	SA	1
11	2		DB90-05206H	ASSY CABI FRONT-MID; AG042KSVANH/EU	SA	1
11-1	3		DB63-02406B	COVER-WINDOW DISPLAY; DVM PLUS 4,EGI-SECC	SA	1
12	2	A2840	DB90-05207C	ASSY CABI BACK-UP 10HP; RVXVHT100H4,DVM P	SA	1
13	2		DB90-05207E	ASSY CABI BACK-UP; 4TVH0072B300NB,DVM S T	SA	1
14	2		DB90-09850A	ASSY GUARD-COND; AM080FXVAGH/EU	SA	2
15	2		DB90-05485D	ASSY COVER TOP-12HP; RVXVHT100H3,COLOR: D	SA	2
15-1	3	B0115	DB62-03304B	BELLOW-MOUTH; RD120HHXH1,PP,BJ750,TOUCH G	SA	2
15-2	3	G0372	DB63-02614B	GUARD FAN-LARGE PD; RD200HHXH1,MSWR,T1,EA	SA	2
15-3	3		DB63-02618C	COVER TOP-PD SMALL; RD200HHXH1,EGI-SECC,T	SA	2
16	2	A0145	DB90-08802A	ASSY CABI FRONT; DVM S,ASSY,1	SA	1
16-1	3		DB63-01441B	COVER-PLATE; RVXVHT100H1,EGI-SECC,T0.8,-,	SA	1
16-2	3		DB90-05599F	ASSY CABI FRONT-LOW 12HP; RD120HHXH1,COLO	SA	1
16-2-1	4		DB61-04537B	PLATE-COVER INSTALLATION; EGI-SECC,T1,EAR	SA	1
17	2	A0145	DB90-08802B	ASSY CABI FRONT; AG042KSVANH/EU	SA	1
17-1	3		DB63-01441B	COVER-PLATE; RVXVHT100H1,EGI-SECC,T0.8,-,	SA	1
18	2	A2803	DB90-08892A	ASSY BRACKET MOTOR; DVM S,10HP	SNA	2
18-1	3	B0516	DB61-02255A	BRACKET MOTOR; DVM PLUS 2,SGHC_HGI,2.3,10	SA	4
18-2	3	A0140	DB90-02145C	ASSY CABI BACK; DVM S,SMALL	SA	2
18-3	3	A3103	DB90-02638B	ASSY-PLATE BEAM SIDE LF; DVMPLUS3	SA	4
18-4	3		DB90-05227C	ASSY-FRONT BEAM UP 12HP; DVM INVERTER,12H	SA	2
19	2	A0092	DB90-09472A	ASSY BASE OUT; AG042KSVANH/EU	SNA	1
20	2		DB90-09473A	ASSY CABI FRONT-MID; AG042KSVANH/EU,CHILL	SA	1
20-1	3		DB64-03216A	CABINET FRONT-BEAM; DVM CHILLER,EGI-SECC,	SNA	1
21	2		DB90-09495A	ASSY PLATE-CONTROL; AG042KSVANH/EU,CHILLE	SA	1
22	2	C0212	6011-001183	BOLT-FLANGE; M6,L30,ZPC(WHITE),SWRCH18A	SA	8
23	2	M0039	DB31-00330J	MOTOR FAN; DL-13890SSOF,DC310V,630W	SA	1
24	2		DB31-00676A	MOTOR BLDC FAN; DL-13890SSOG,310V,630W	SA	1
25	2		DB94-03537A	ASSY FAN-PROPELLER; DVM,700PI, BLACK	SA	2
25-1	3	F0010	DB31-00298A	FAN PROPELLER; SAN+GF20%	SA	2
25-2	3		DB31-00324A	FAN-BOSS; DVM PLUS 2,ALDC12	SNA	2
26	2		DB61-06631A	PLATE COND; GI-SGCC,T0.8,LF	SA	1
27	2		DB61-06632A	PLATE COND; GI-SGCC,T0.8,RH	SA	1
28	2	A0590	DB96-18590A	ASSY COND OUT; ADX080VHHHA1,18PATH	SA	1
29	2		DB96-22348A	ASSY COND BENDING; AG042KSVANH/EU	SA	1

2. ASSY CONTROL OUT PARTS

Exploded View

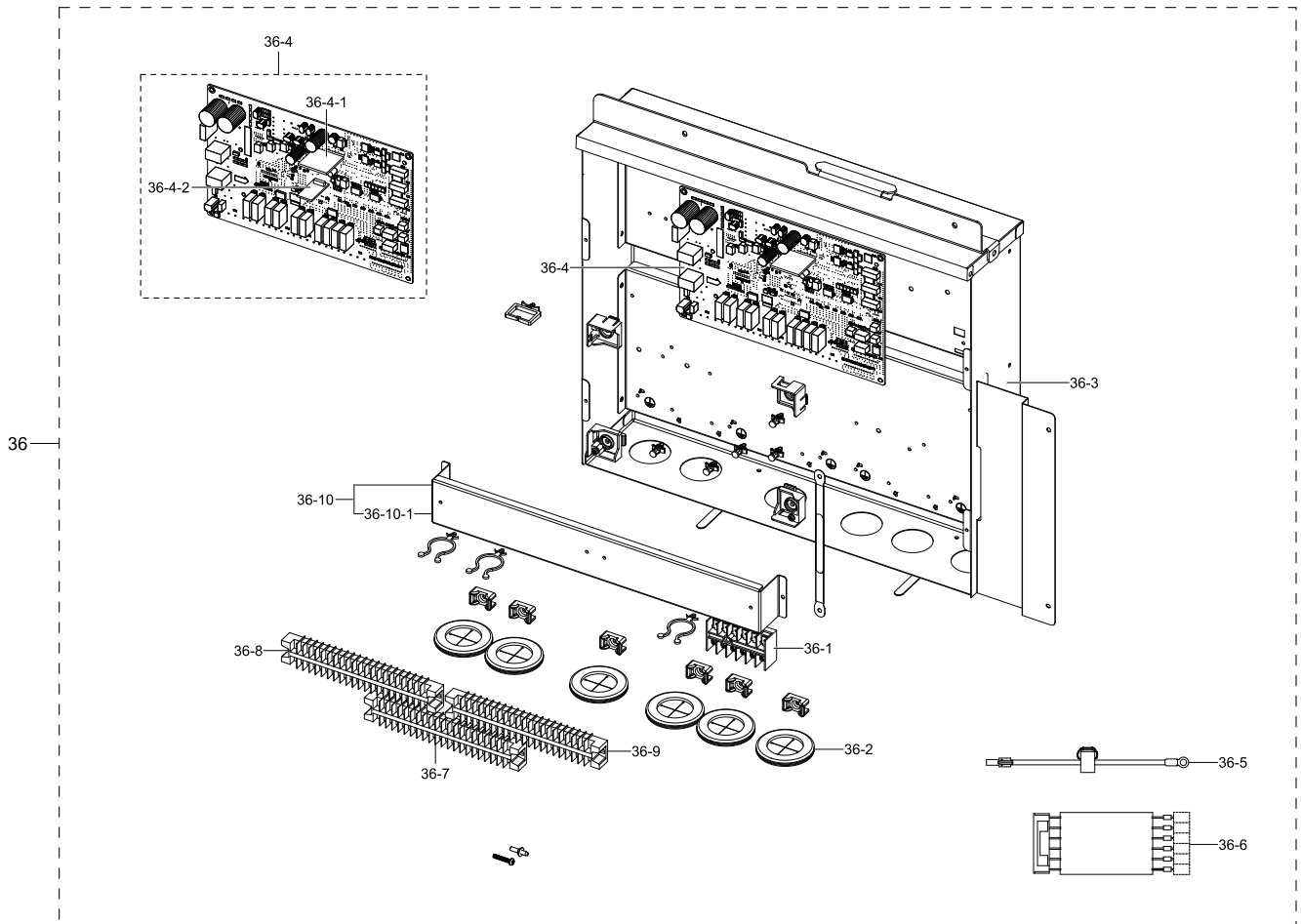


Parts List

No.	Lvl.	Loc.	Material Code	Description & Specification	SNA	Qty.
30	2		DB32-00233A	SENSOR TEMP; 103HW,EVA1/2 IN/OUT,1300,10k	SA	1
31	2		DB32-00235A	SENSOR TEMP; 204CTB/103HW,THERMISTOR-TOTA	SNA	1
31-1	3		DB32-00234A	SENSOR TEMP; 103HW,SUCTION2/TOTAL SUCTION	SA	1
31-2	3		DB95-04716D	ASSY-THERMISTOR WIRE; 204CTB,AC,-,-,-,2	SA	1
31-3	3		DB95-04717D	ASSY-THERMISTOR WIRE; 103AT,AC,-,-,-,20	SA	1
31-4	3		DB95-04718D	ASSY-THERMISTOR WIRE; 103AT,AC,-,-,-,20	SA	1
32	2	S0242	DB81-00635A	SPRING ETC-SENSOR; DVM-SYSTEM,STS304,R2.5	SA	13
33	2	A2635	DB90-08515A	ASSY COVER CONTROL; AM9000H	SA	1
33-1	3	RB220	DB90-03829B	ASSY-WINDOW DISPLAY; RD***HHXH2,DVM PLUS	SA	1
34	2		DB90-07288A	ASSY COVER-POWER TERMINAL; DVM PLUS S	SA	1
35	2	A2635	DB90-09437A	ASSY COVER CONTROL; AG012KSVAHH1,DVM Chil	SA	1
35-1	3		DB63-03805A	COVER CONTROL; AG012KSVAHH1,GI-SGCC,T0.8,	SNA	1
35-2	3	RB220	DB90-03829B	ASSY-WINDOW DISPLAY; RD***HHXH2,DVM PLUS	SA	1
36	2		DB90-09449A	ASSY CASE CONTROL; AG012KSVAHH1,DVM Chill	SNA	1
37	2	A3096	DB93-15968A	ASSY CONTROL OUT; AG070KSVANH/EU,BOX, DVM	SNA	1

3. ASSY CASE CONTROL

Exploded View



Parts List

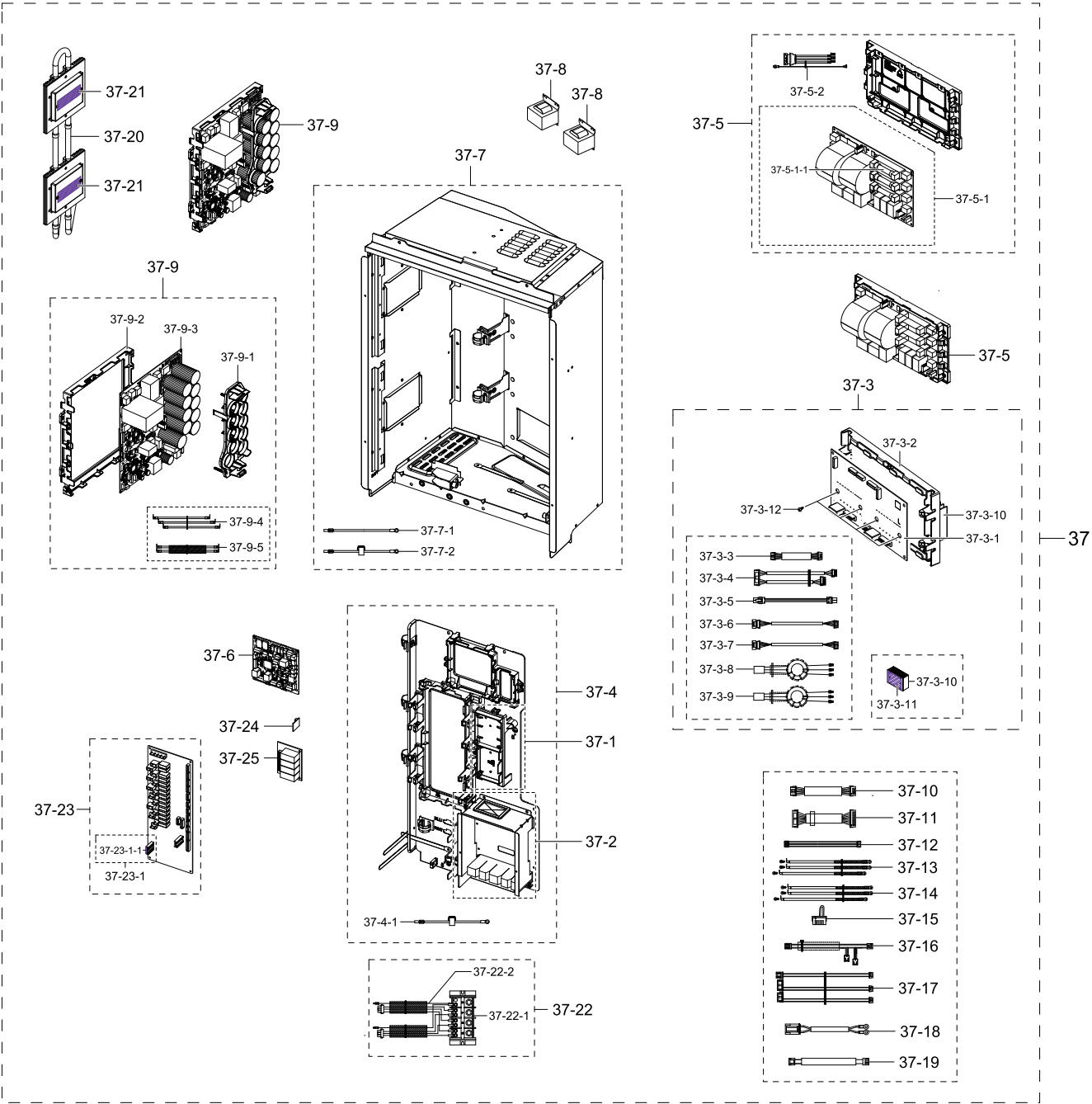
No.	Lvl.	Loc.	Material Code	Description & Specification	SNA	Qty.
36	2		DB90-09449A	ASSY CASE CONTROL; AG012KSVVHH1,DVM Chill	SNA	1
36-1	3	T0015	DB65-00179F	TERMINAL BLOCK; DVM FRESH DUCT,PBT+G30%,3	SA	1
36-2	3		DB73-00370A	RUBBER-COVER WIRE; CHLOROPRENE RUBBER,50	SA	6
36-3	3		DB90-09467A	ASSY CASE-MAIN; AG042KSVANH/EU,DVM Chille	SA	1
36-4	3	A2748	DB92-03912A	ASSY PCB MAIN; MAIN,DVM CHILLER,242*160,Y	SA	1
36-4-1	4		DB92-02793A	ASSY FUNCTION; COMM,DVM NASA_CST,Y	SA	1
36-4-2	4		DB93-12483A	ASSY PCB SUB-EEPROM; SUB,DVMPLUS4 UP,20*2	SA	1
36-5	3	A0646	DB93-08805D	ASSY CONNECTOR WIRE-EARTH; 1,1015,18,YEL/	SA	1

Exploded Views and Parts List

No.	Lvl.	Loc.	Material Code	Description & Specification	SNA	Qty.
36-6	3		DB93-14029A	ASSY CONNECTOR WIRE-DC SIGNAL; 6,1007,22,	SA	1
36-7	3	A3088	DB93-15970A	ASSY CONNECTOR WIRE-TERMINAL BLOCK; 20,10	SA	1
36-8	3	A3088	DB93-15972A	ASSY CONNECTOR WIRE-TERMINAL BLOCK; 20,10	SA	1
36-9	3	A3088	DB93-15973A	ASSY CONNECTOR WIRE-TERMINAL BLOCK; 16,10	SA	1
36-10	3		DB90-09494A	ASSY BRACKET-HOLDER; DVM Chiller	SA	1
36-10-1	4		DB61-06635A	BRACKET-SUPPORT; GI-SGCC,T0.8,INNER	SA	1

4. ASSY CONTROL OUT

Exploded View



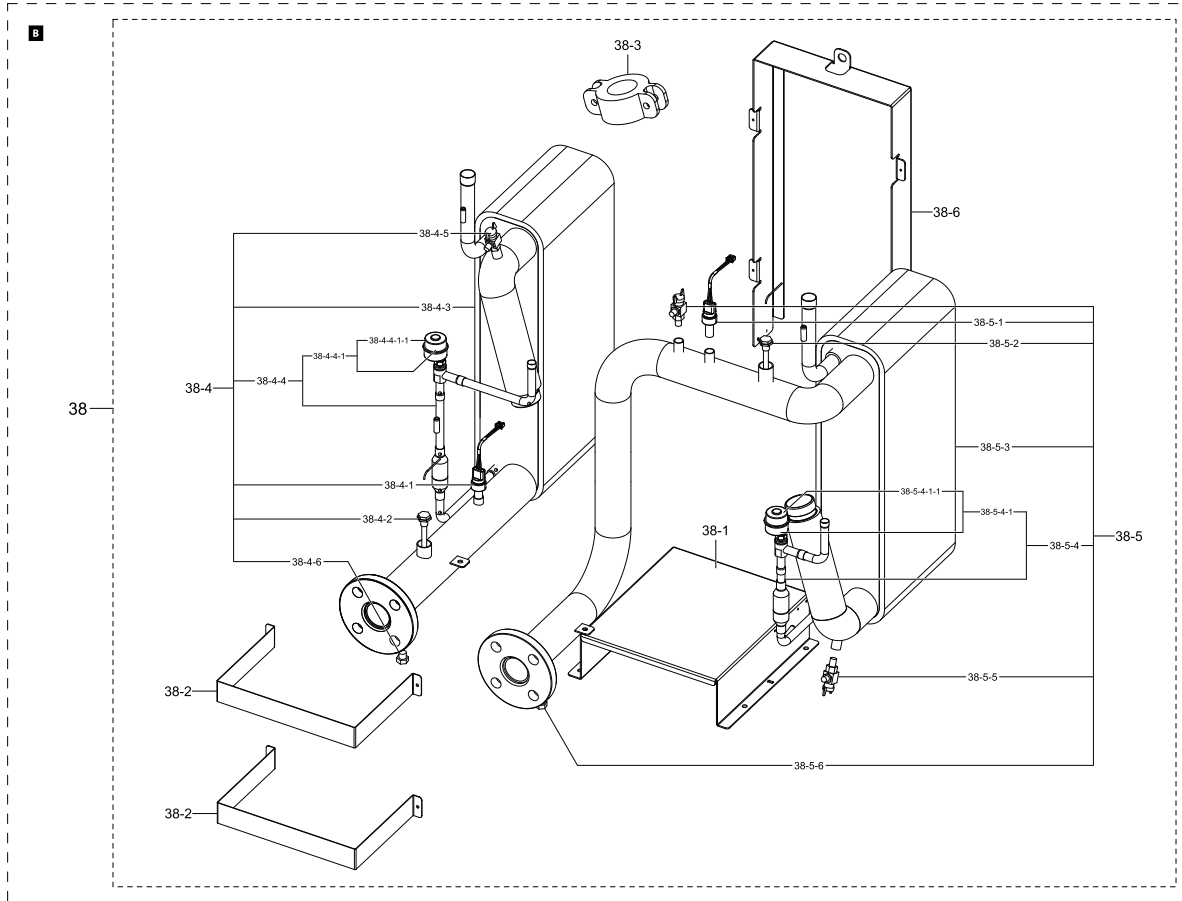
Parts List

No.	Lvl.	Loc.	Material Code	Description & Specification	SNA	Qty.
37	2	A3096	DB93-15968A	ASSY CONTROL OUT; AG070KSVANH/EU,BOX, DVM	SNA	1
37-1	3		DB61-05404A	CASE-TERMINAL 6P; DVM S,ABS,T2.5,BLACK	SA	1
37-2	3		DB90-07287B	ASSY PLATE-CONTROL; AM9000H	SA	1
37-3	3		DB93-11808E	ASSY CONTROL-FAN; OUTDOOR,DVM S,-,Y	SC	1
37-3-1	4	A2748	DB92-02807A	ASSY PCB MAIN; FAN,DVM S USA,230*130,N,N,	SA	1
37-3-2	4		DB61-04919A	CASE-BLDC FAN PCB; DVM INVERTER,ABS,T2.5,	SA	1
37-3-3	4	A2934	DB93-11520C	ASSY CONNECTOR WIRE-COMM; 4,2095,26,RED,S	SA	1
37-3-4	4		DB93-11485A	ASSY CONNECTOR WIRE-BLDC COMM; 8,2095,26,	SA	1
37-3-5	4	A0664	DB93-11491A	ASSY CONNECTOR WIRE-POWER; 2,1015,18,YEL,	SA	1
37-3-6	4	A3118	DB93-11906A	ASSY CONNECTOR WIRE-BLDC HALL; 6,2095,24,	SA	1
37-3-7	4	A3118	DB93-11906B	ASSY CONNECTOR WIRE-BLDC HALL; 6,2095,24,	SA	1
37-3-8	4	A0657	DB93-11500E	ASSY CONNECTOR WIRE-MOTOR; 3,1015,18,RED,	SA	1
37-3-9	4	A0657	DB93-11500F	ASSY CONNECTOR WIRE-MOTOR; 3,1015,18,RED,	SA	1
37-3-10	4	H0034	DB62-10633A	HEAT SINK; Al,40,102*72,SILVER	SA	2
37-3-11	4		0205-000178	GREASE-SILICON; YG6111,WHITE, for assembl	SA	0.001
37-3-12	4	A2876	DB91-00307A	ASSY-SCREW MACHINE; WW-INV,M4*16,WSP,PH,+	SA	12
37-4	3		DB90-08517A	ASSY PLATE-CONTROL; AM9000H	SA	1
37-4-1	4	A0646	DB93-08805D	ASSY CONNECTOR WIRE-EARTH; 1,1015,18,YEL/	SA	3
37-5	3		DB92-03335A	ASSY KIT; OUTDOOR,14K_DVM_AM9000H,SUB, 26	SA	2
37-5-1	4	A0694	DB92-03346A	ASSY PCB SUB; SUB,14K_DVM_AM9000H,145.5*2	SA	2
37-5-1-1	5		3601-001908	FUSE-ETC; 690V,56A,TIME-LAG,CERAMIC,47.5x	SA	6
37-5-2	4	A0664	DB93-15159A	ASSY CONNECTOR WIRE-POWER; 4,1283,8,WHT,J	SA	2
37-6	3	A2748	DB92-03913A	ASSY PCB MAIN; MAIN,DVM CHILLER,112*112,N	SA	1
37-7	3		DB90-08514B	ASSY CABI BODY-CONTROL; AM9000H	SA	1
37-7-1	4	A0646	DB93-08805A	ASSY CONNECTOR WIRE-EARTH; 1,1015,18,YEL/	SA	2
37-7-2	4	A0646	DB93-08805D	ASSY CONNECTOR WIRE-EARTH; 1,1015,18,YEL/	SA	3
37-8	3		DB27-00105A	COIL HARMONIC; 2mH,94.5*94*81.6,50A,SCREW	SA	2
37-9	3		DB92-03345A	ASSY KIT; OUTDOOR,14K_DVM_AM9000H,SUB, 26	SNA	2
37-9-1	4		DB61-06329A	HOLDER CAPACITOR; AM9000H,ABS,BLACK,5VA,V	SA	2
37-9-2	4		DB61-06330A	CASE PCB-SIDE; AM9000H,ABS,BLACK	SA	2
37-9-3	4		DB92-03337A	ASSY PCB INVERTER; INVERTER,14K_DVM_AM900	SA	2
37-9-4	4	A0664	DB93-15163A	ASSY CONNECTOR WIRE-POWER; 3,1283,8,WHT,L	SA	2
37-9-5	4	A2610	DB93-15165A	ASSY CONNECTOR WIRE-REACTOR; 2,1283,8,WHT	SA	2
37-10	3	A2934	DB93-11520E	ASSY CONNECTOR WIRE-COMM; 4,2095,26,RED,S	SA	1
37-11	3		DB93-11521A	ASSY CONNECTOR WIRE-MAIN HUB COMM; 9,2095	SA	1
37-12	3		DB93-11522A	ASSY CONNECTOR WIRE-INV 220; 3,1015,18,BR	SA	2

No.	Lvl.	Loc.	Material Code	Description & Specification	SNA	Qty.
37-13	3	A0630	DB93-15166A	ASSY CONNECTOR WIRE-COMP; 3,1283,8,RED,L8	SA	1
37-14	3	A0630	DB93-15166B	ASSY CONNECTOR WIRE-COMP; 3,1283,8,RED,L8	SA	1
37-15	3		DB93-12405A	ASSY CONNECTOR WIRE-INVERTER SHORT; 1,156	SA	1
37-16	3		DB93-13412A	ASSY CONNECTOR WIRE-HUB HIGH PRESSURE; 4,	SA	1
37-17	3	A2934	DB93-15167A	ASSY CONNECTOR WIRE-COMM; 6,1569,22,GRY,Y	SA	1
37-18	3	A2934	DB93-15534B	ASSY CONNECTOR WIRE-COMM; 2,2095,22,RED,Y	SA	1
37-19	3	A0664	DB93-15971A	ASSY CONNECTOR WIRE-POWER; 2,1015,18,BRN,	SA	1
37-20	3		DB96-22242B	ASSY TUBE-MAIN COOLING; AG042KSVANH/EU,DV	SA	1
37-21	3		0205-000178	GREASE-SILICON; YG6111,WHITE, for assembl	SA	0.001
37-22	3	A3088	DB93-15160A	ASSY CONNECTOR WIRE-TERMINAL BLOCK; 8,128	SA	1
37-22-1	4	T0180	DB65-00232B	TERMINAL BLOCK-3PHASE; DVM PLUS 3,TERMINA	SA	1
37-22-2	4	A0664	DB93-15158A	ASSY CONNECTOR WIRE-POWER; 4,1283,8,WHT,J	SA	2
37-23	3	A2748	DB92-03342A	ASSY PCB MAIN; MAIN,DVM S,295*112,Y,220V~	SA	1
37-23-1	4		DB94-05068A	ASSY HEAT SINK 1; MAIN,DVM S,295*112,220V	SNA	1
37-23-1-1	5		0205-000178	GREASE-SILICON; YG6111,WHITE, for assembl	SA	0.5
37-24	3		DB93-12483A	ASSY PCB SUB-EEPROM; SUB,DVMPLUS4 UP,20*2	SA	1
37-25	3	A2574	DB93-13404A	ASSY PCB SUB-COMM; SUB,DVM S,80*60,-,-,-,	SA	1

5. ASSY PLATE HEAT EXCHANGER

Exploded View



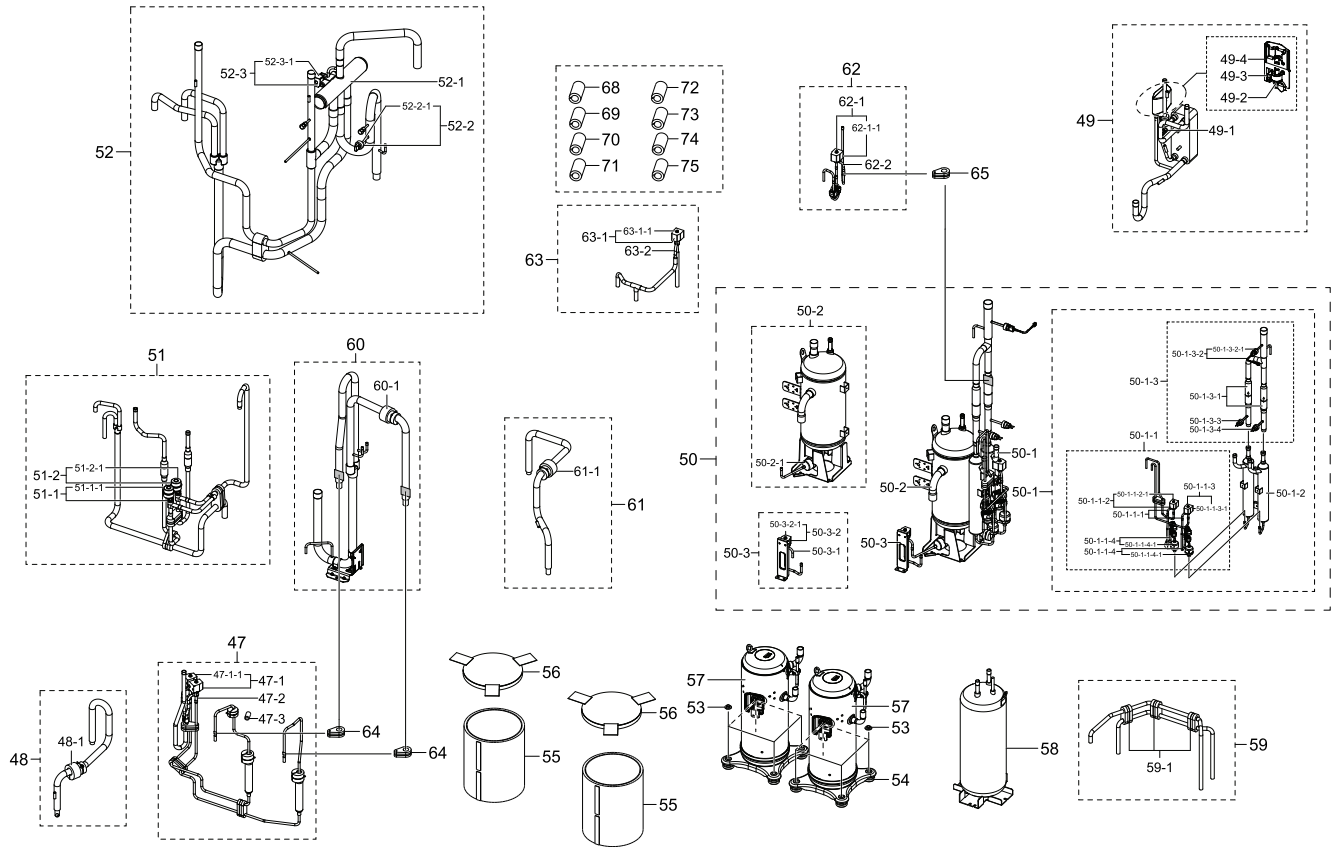
Parts List

No.	Lvl.	Loc.	Material Code	Description & Specification	SNA	Qty.
38	2		DB96-22347D	ASSY PLATE HEAT EXCHANGER; AG070KSVANH/EU	SNA	1
38-1	3		DB61-06637A	BRACKET-SUPPORT; GI-SGCC,T2,DAC-GY1001T,	SA	1
38-2	3		DB61-06638A	BRACKET-HOLDER; GI-SGCC,T1,DAC-GY1001T, S	SA	2
38-3	3		DB94-06172A	ASSY PLATE MIDDLE; AG042KSVANH/EU,VITAU LI	SA	1
38-4	3		DB96-22315C	ASSY PLATE HEAT EXCHANGER; AG070KSVANH/EU	SA	1
38-4-1	4		DB32-00230A	SENSOR PRESSURE; Water,5V,1.0MPa,1500	SA	1
38-4-2	4		DB32-00232B	SENSOR TEMP; 103HW,WATER OUT/STS303/YG611	SA	1
38-4-3	4		DB96-22285A	ASSY PLATE HEAT EXCHANGER; AG012KSVAAH1,D	SNA	1
38-4-4	4		DB96-22343A	ASSY TUBE EEV; AG042KSVANH/EU,LF	SA	1

No.	Lvl.	Loc.	Material Code	Description & Specification	SNA	Qty.
38-4-4-1	5	A0498	DB95-01561E	ASSY-VALVE EXPANSION; RD200HHXH1,DVM PLUS	SNA	1
38-4-4-1-1	4	V0011	DB62-05606A	VALVE GEAR EXPAN; BRASS,6.4,2000,2000	SA	1
38-4-5	4	A0081	DB96-22382A	ASSY TUBE-VALVE; AG042KSVANH/EU,AIR	SNA	1
38-4-6	4	A0081	DB96-22387A	ASSY TUBE-VALVE; AG042KSVANH/EU,WATER	SNA	1
38-5	3		DB96-22316C	ASSY PLATE HEAT EXCHANGER; AG070KSVANH/EU	SA	1
38-5-1	4		DB32-00231A	SENSOR PRESSURE; water,5V,1.0MPa,1000	SA	1
38-5-2	4		DB32-00232A	SENSOR TEMP; 103HW,WATER IN/STS303/YG6111	SA	1
38-5-3	4		DB96-22285A	ASSY PLATE HEAT EXCHANGER; AG012KSVAAH1,D	SNA	1
38-5-4	4		DB96-22344A	ASSY TUBE EEV; AG042KSVANH/EU,RH	SA	1
38-5-4-1	5	A0498	DB95-01561F	ASSY-VALVE EXPANSION; RD200HHXH1,DVM PLUS	SNA	1
38-5-4-1-1	4	V0011	DB62-05606A	VALVE GEAR EXPAN; BRASS,6.4,2000,2000	SA	1
38-5-5	4	A0081	DB96-22382A	ASSY TUBE-VALVE; AG042KSVANH/EU,AIR	SNA	2
38-5-6	4	A0081	DB96-22387A	ASSY TUBE-VALVE; AG042KSVANH/EU,WATER	SNA	1
38-6	3		DB61-06634A	BRACKET-BODY; GI-SGCC,T2,DAC-GY1001T, SPP	SA	1

6. ASSY TUBE OUT PARTS

Exploded View



Parts List

No.	Lvl.	Loc.	Material Code	Description & Specification	SNA	Qty.
47	2		DB96-22246B	ASSY TUBE VAPOR INJECTION; AG042KSVGNX/EU	SA	1
47-1	3	A2106	DB95-04555F	ASSY-SOLENOID COIL; DVM+S	SC	1
47-1-1	4	V0039	DB62-07589A	VALVE COIL-SOLENOID; AC220-240V,2000,Sol,	SA	2
47-2	3		DB62-07588B	VALVE SOLENOID; R410A,5.8,7.94,Bending	SA	2
47-3	3		DB72-00400V	INSULATION-PIPE IN 3/8; HH140EZM/XIA,PE F	SA	1
48	2	A2757	DB96-22254A	ASSY TUBE DISCHARGE; AG012KSVAHH1	SA	1
48-1	3		DB67-01268A	WEIGHT RUBBER; DVM PLUS S,NR,BLACK,OD 22.	SA	1
49	2		DB96-22258A	ASSY TUBE SUBCOOLER; AG012KSVAHH1	SA	1
49-1	3	N0027	DB60-30010A	FASTENER-NUT FLARE; BRASS	SA	1
49-2	3	V0001	DB62-04066A	VALVE EXPAN; STS304,2.2mm,500	SA	1
49-3	3		DB62-11206E	VALVE COIL EXPAN; DC12V,COIL,2000,18.95,M	SA	1
49-4	3		DB62-11717A	SEAL COVER; PE FOAM,GRAY,T10,W150	SA	1
50	2		DB96-22259A	ASSY TUBE-ACCUMULATOR; AG012KSVAHH1	SNA	1
50-1	3		DB96-22255A	ASSY TUBE-OIL SEPARATOR; AG012KSVAHH1	SA	1
50-1-1	4		DB96-22247A	ASSY TUBE RETURN-OIL; AG012KSVAHH1	SA	1

No.	Lvl.	Loc.	Material Code	Description & Specification	SNA	Qty.
50-1-1-1	5		DB62-04149B	VALVE SOLENOID; Oil,1.9,6.35,Bending	SA	2
50-1-1-2	5		DB96-19258C	ASSY VALVE-SOLENOID; AG042KSVANH/EU	SA	1
50-1-1-2-1	6	V0039	DB62-04150A	VALVE COIL SOLENOID; AC220-240V,2400,Sol,	SA	1
50-1-1-3	5		DB96-19258D	ASSY VALVE-SOLENOID; AG042KSVANH/EU,RH	SA	1
50-1-1-3-1	6	V0039	DB62-04150A	VALVE COIL SOLENOID; AC220-240V,2400,Sol,	SA	1
50-1-1-4	5		DB96-22265A	ASSY TUBE CAPILLARY-OIL; AG012KSVAAH1,DVM	SA	2
50-1-1-4-1	6	T0128	DB62-11876A	TUBE-FILTER; DVM S,C1220T-H,T1.4,OD38.1,N	SA	2
50-1-2	4		DB96-22253A	ASSY TUBE TANK-OIL; AG012KSVAAH1	SA	1
50-1-3	4		DB96-22257A	ASSY TUBE CHECK-OIL SEPARATOR; AG012KSVAH	SA	1
50-1-3-1	5	V0020	DB62-06187B	VALVE CHECK; .,1-1,19.05	SA	2
50-1-3-2	5	A3145	DB95-01549T	ASSY-SENSOR HIGH PRESSURE COIL; DVM+S	SA	1
50-1-3-2-1	6	S0030	DB32-00194A	SENSOR PRESSURE; Refrigerant,5,5.0MPa,200	SA	1
50-1-3-3	5		DB96-22440A	ASSY SWITCH PRESSURE-HIGH; AG042KSVANH/EU	SA	1
50-1-3-4	5		DB96-22440B	ASSY SWITCH PRESSURE-HIGH; AG042KSVANH/EU	SA	1
50-2	3		DB96-22256A	ASSY TUBE TANK-ACCUMULATOR; AG012KSVAAH1	SA	1
50-2-1	4	T0128	DB62-11876A	TUBE-FILTER; DVM S,C1220T-H,T1.4,OD38.1,N	SA	1
50-3	3		DB96-22263A	ASSY TUBE RETURN-ACCUM OIL; AG012KSVAAH1,	SA	1
50-3-1	4		DB62-04149B	VALVE SOLENOID; Oil,1.9,6.35,Bending	SA	1
50-3-2	4		DB95-04865H	ASSY-OIL RETURN TUBE COIL; DVM S	SA	1
50-3-2-1	5	V0039	DB62-04150A	VALVE COIL SOLENOID; AC220-240V,2400,Sol,	SA	1
51	2		DB96-22262A	ASSY TUBE EEV; AG012KSVAAH1,DVM Chiller	SA	1
51-1	3	A0498	DB95-01561E	ASSY-VALVE EXPANSION; RD200HHXH1,DVM PLUS	SNA	1
51-1-1	4	V0011	DB62-05606A	VALVE GEAR EXPAN; BRASS,6.4,2000,2000	SA	1
51-2	3	A0498	DB95-01561F	ASSY-VALVE EXPANSION; RD200HHXH1,DVM PLUS	SNA	1
51-2-1	4	V0011	DB62-05606A	VALVE GEAR EXPAN; BRASS,6.4,2000,2000	SA	1
52	2		DB96-22264B	ASSY TUBE 4WAY; AG042KSVG NX/EU,DVM CHILLE	SA	1
52-1	3		DB62-05043A	VALVE 4WAY; .,COMMON,20	SA	1
52-2	3	A3105	DB95-01469W	ASSY SENSOR-LOW PRESSURE COIL; DVM S WATE	SA	1
52-2-1	4	S0030	DB32-00195B	SENSOR PRESSURE; Refrigerant,5V,2.0MPa,15	SA	1
52-3	3	A2855	DB96-13291B	ASSY-4WAY VALVE COIL; DVM PLUS4,ASSY	SA	1
52-3-1	4	S0100	DB33-00047B	VALVE COIL SOLENOID; AC220-240V,2000,4way	SA	1
53	2	S0018	DB60-30028A	NUT-FLANGE; HWH,M8,ZPC(WHT),SWRCH18A,P1.2	SA	10
54	2		DB63-03269A	GROMMET-COMP INVERTER; NR	SA	8
55	2		DB63-03736A	CLOTH COMP-SIDE; DVM S_Small,UB4,EVAR/FEL	SA	2
56	2		DB63-03738A	CLOTH COMP-TOP OUT; EVAR/FELT,T1.5+T15	SA	2
57	2		DS-GB070FAVASG	SCP,COMP,SCP,,R410A; SCP,COMP,SCP,,R410A		2
58	2	A1916	DB96-13068B	ASSY-RECEIVER TANK; RWXDHN100N1,DVM PLUS	SA	1
59	2		DB96-22238A	ASSY TUBE-RECEIVER; AG012KSVAAH1	SA	1
59-1	3		DB73-00187A	RUBBER-SUPPORT A; RVMS100H1MB,CHLOROPRENE	SA	3

Exploded Views and Parts List

No.	Lvl.	Loc.	Material Code	Description & Specification	SNA	Qty.
60	2	A0045	DB96-22239A	ASSY TUBE SUCTION; AG012KSVAHH1	SA	1
60-1	3		DB67-01268A	WEIGHT RUBBER; DVM PLUS S,NR,BLACK,OD 22.	SA	1
61	2	A2757	DB96-22240A	ASSY TUBE DISCHARGE; AG012KSVAHH1	SA	1
61-1	3		DB67-01268A	WEIGHT RUBBER; DVM PLUS S,NR,BLACK,OD 22.	SA	1
62	2		DB96-22241A	ASSY TUBE-HOT GAS; AG012KSVAHH1	SA	1
62-1	3		DB95-04865G	ASSY-OIL RETURN TUBE COIL; DVM INVERTER	SA	1
62-1-1	4	V0039	DB62-04150A	VALVE COIL SOLENOID; AC220-240V,2400,Sol,	SA	1
62-2	3		DB62-04149B	VALVE SOLENOID; Oil,1.9,6.35,Bending	SA	1
63	2		DB96-22245A	ASSY TUBE BYPASS-EVI; AG012KSVAHH1	SA	1
63-1	3	A2106	DB95-02052Z	ASSY-SOLENOID COIL; DVM+S	SA	1
63-1-1	4	V0039	DB62-07589B	VALVE COIL-SOLENOID; AC220-240V,1500,Sol,	SA	1
63-2	3		DB62-07588B	VALVE SOLENOID; R410A,5.8,7.94,Bending	SA	3
64	2		DB61-05195A	SUPPORT-RUBBER; DVM INVERTER,CR RUBBER,50	SNA	2
65	2		DB61-05348A	SUPPORT-RUBBER; ADX200VGHHXB1,CHLOROPRENE	SNA	1
68	2		DB62-03808A	INSULATION-HOLDER SENSOR; PP FOAM+PE FOAM	SNA	1
69	2		DB62-03808B	INSULATION-HOLDER SENSOR; PP FOAM+PE FOAM	SNA	4
70	2		DB62-03808C	INSULATION-HOLDER SENSOR; PP FOAM+PE FOAM	SNA	3
71	2		DB62-03808E	INSULATION-HOLDER SENSOR; PP FOAM+PE FOAM	SNA	1
72	2		DB62-03808F	INSULATION-HOLDER SENSOR; PP FOAM,PP FOAM	SNA	1
73	2		DB62-03808G	INSULATION-HOLDER SENSOR; PP FOAM+PE FOAM	SNA	2
74	2		DB62-04154C	INSULATION-HOLDER WIRE; PE FOAM,8,ID 20,5	SNA	2
75	2		DB62-04154D	INSULATION-HOLDER WIRE; DVM PLUS II,PE FO	SNA	1