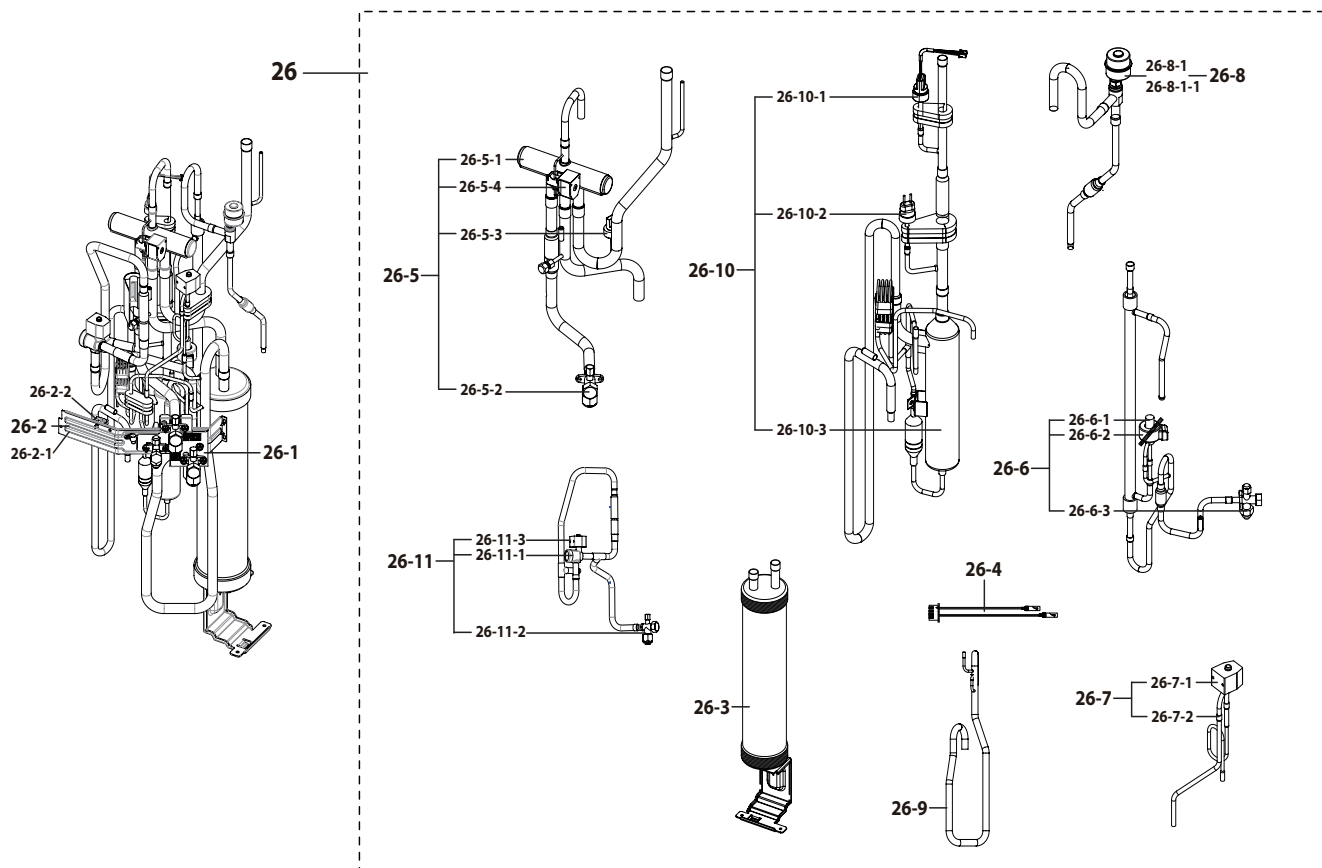
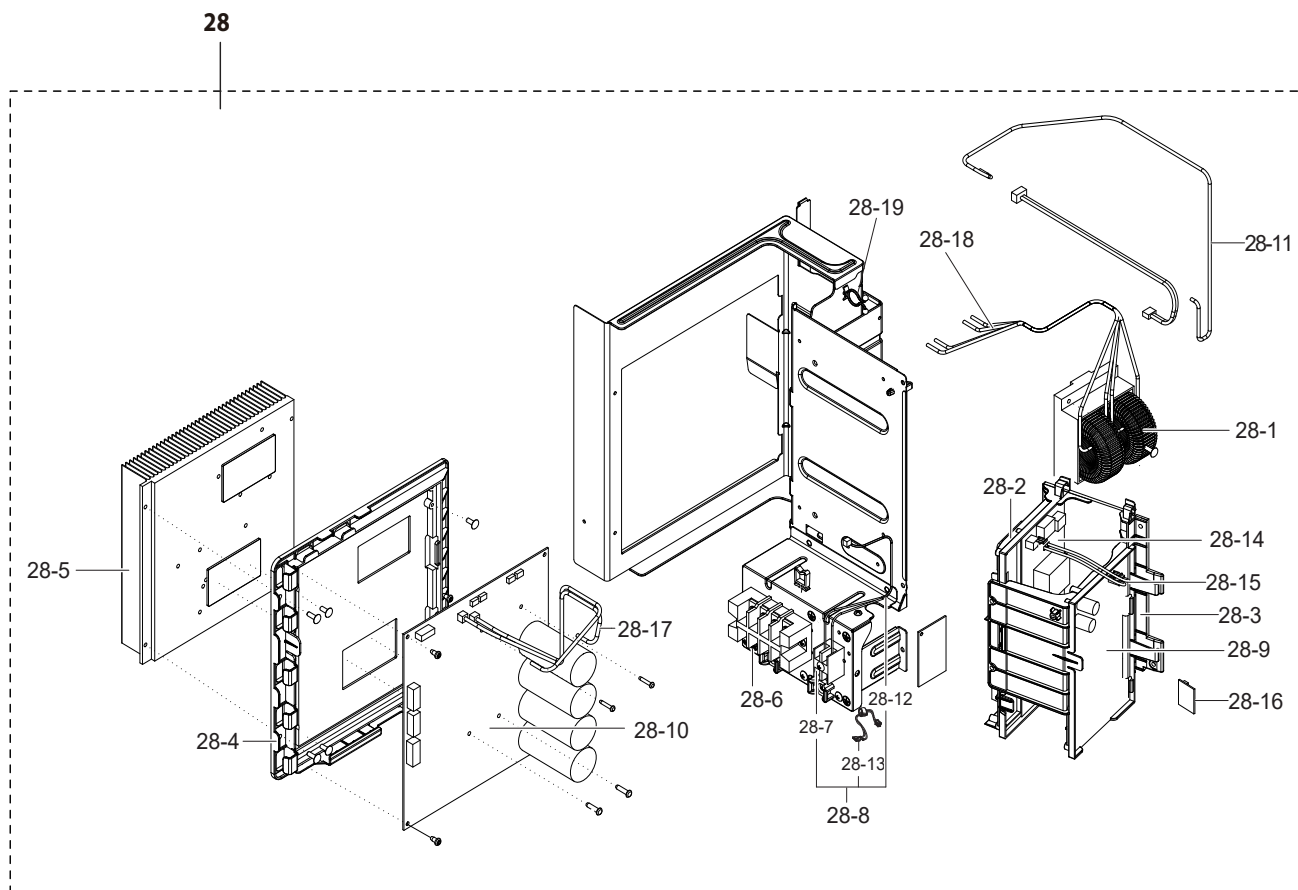


■ ASSY VALVE : AE120MXTPEH / AE160MXTPEH



■ ASSY KIT : AE120MXTPEH / AE160MXTPEH



Parts List : AE120MXTPEH

No.	Parts Code	Parts Description	Spec.	Qty	SA/SNA
1	DB63-02728B	GUARD-FAN	RC140PHXEA,PP,EARTH BROWN	2	SA
2	DB64-03050A	CABINET-INSTALL FRONT PAINT	DVMS ECO,EGI-SECC,T0.8,EARTH BROWN,SSEC	1	SA
3	DB64-03051A	CABINET-INSTALL BACK PAINT	DVMS ECO,EGI-SECC,T0.8,EARTH BROWN,SSEC	1	SA
4	DB90-07806E	ASSY BASE OUT	UB1 6HP	1	SA
5	DB90-07807E	ASSY CABI FRONT-RH	UB3	1	SA
5-1	DB64-02613B	HANDLE	RC140PHXEA,PP,T2.5,EARTH BROWN	1	SNA
5-2	DB64-03201B	LOGO	Outdoor Unit,PVC,T0.1,transparent PVC	1	SA
6	DB90-07808B	ASSY CABI FRONT-LEFT	UB3,ASSY	1	SA
7	DB90-07810A	ASSY CABI TOP	DVMS ECO,SSEC	1	SA
8	DB63-03898A	GUARD COND	UB3,MSWR	1	SA
9	DB90-08589A	ASSY CABI BACK-RIGHT	UB3,SSEC	1	SA
9-1	DB61-02728A	HOLDER-WIRE	-,EGI-SECC,T0.5,W12,L126,-,-	2	SA
10	DB94-05126B	ASSY PARTITION	AE120MXTPEH/EU	1	SA
10-1	DB61-02728A	HOLDER-WIRE	-,EGI-SECC,T0.5,W12,L126,-,-	3	SA
11	DB97-13379A	ASSY-SCREW TAPPING	SCREW ASSY	4	SNA
12	6003-001053	BOLT-HEX	M6,L12,ZPC(WHT),SWRCH18A,HWH Head	2	SNA
13	6021-001142	NUT-HEXAGON FLANGE	M5,ZPC(WHT),SWRCH10A,	2	SA
14	DB31-00579A	MOTOR FAN	125W,DC310V,CLASS E	2	SA
15	DB60-00150A	SCREW-SPECIAL	HWH,M4,L26,ZPC(WHT),SWRCH18A	8	SA
16	DB90-07811A	ASSY BRACKET MOTOR	DVMS ECO,SSEC	1	SA
17	DB94-04381A	ASSY FAN PROPELLER	DVM S ECO,520	2	SA
18	6021-001142	NUT-HEXAGON FLANGE	M5,ZPC(WHT),SWRCH10A,SERRATION	1	SA
19	DB60-30028A	NUT-FLANGE	HWH,M8,ZPC(WHT),SWRCH18A,P1.25/Washer Type(WP)	3	SA
20	DB63-02251A	GROMMET ISOLATOR	SI	3	SA
21	DB32-00195B	SENSOR PRESSURE	Refrigerant,5V,2.0MPa,15	1	SA
22	DB63-02312A	COVER TERMINAL	39F,44F,48F,SABICN1250,2.5,BLACK,30.0	1	SA
23	DB63-03166A	CLOTH-COMP TOP	EVAR/FELT,T11.5,GRAY	1	SNA
24	DB63-03167A	CLOTH-COMP SOUND	EVAR/FELT,T11.5,GRAY	1	SNA
25	UG5TK1450FJX	COMP	RCP,COMP,RCPF,R410A	1	SA
26	DB96-25063A	ASSY VALVE	EHS TDM+	1	SNA
26-1	DB61-06903A	BRACKET VALVE	GI-SGCC,T1.6	1	SNA
26-2	DB90-08959A	ASSY BRACKET VALVE	AM040JXMDEH/SC,ASSY	1	SNA
26-2-1	DB61-06388A	BRACKET VALVE	BIG DUCT,GI-SGCC,T1.2,-,SS	1	SA
26-2-2	DB71-00133A	WIRE-SADDLE	DVM PLUS 3,NYLON 66	1	SA
26-3	DB90-09998A	ASSY BRACKET-HOLDER	AE120MXTPEH/EU	1	SA
26-4	DB95-04872C	ASSY THERMISTOR OUT-SUB OUT	DVM MINI2,SUCTION SENSOR UB3	1	SA
26-5	DB96-23473A	ASSY TUBE 4WAY	AE120MXTPEH/EU	1	SA
26-5-1	DB62-12731A	VALVE 4WAY	BRASS,5HP,COMMON	1	SNA
26-5-2	DB62-09658A	VALVE SERVICE-SPINDLE	-,5/8",R410A, FLARE	1	SA
26-5-3	DB95-01469Q	ASSY-SENSOR LOW PRESSURE	RD050MHXH2,4,5HP	1	SC
26-5-4	DB97-02689E	ASSY-SOLENOID VALVE	DH42BTX1/UMG,ASSY,L800	1	SA
26-6	DB96-23474A	ASSY TUBE SUBCOOLER	AE120MXTPEH/EU	1	SA
26-6-1	DB62-04064A	VALVE EXPAN	SUS,1.3,500	1	SA
26-6-2	DB96-19310C	ASSY VALVE-EXPANSION	AJ018FCJ3EC/SP	1	SNA
26-6-3	DB62-09654A	VALVE SERVICE-SPINDLE	FLARE,R410A,9.52	1	SA
26-7	DB96-23475A	ASSY TUBE BYPASS	AE120MXTPEH/EU	1	SA

Parts List : AE120MXTPEH

No.	Parts Code	Parts Description	Spec.	Qty	SA/SNA
26-7-1	DB62-04149B	VALVE SOLENOID	Oil,1.9,6.35,Bending	1	SNA
26-7-2	DB95-00664L	ASSY-SOLENOID COIL BYPASS	MC48F3AXAX,PACK MULTI	1	SNA
26-8	DB96-23476A	ASSY TUBE EEV	AE120MXTPEH/EU	1	SA
26-8-1	DB96-16265A	ASSY-VALVE EXPANSION	HP,4,5HP,330V,INV,RD050MHXH2,DVM MINI	1	SA
26-8-1-1	DB62-05606A	VALVE GEAR EXPAN	BRASS,6.4,2000,2000	1	SA
26-9	DB96-23477A	ASSY TUBE SUCTION	AE120MXTPEH/EU	1	SA
26-10	DB96-23478A	ASSY TUBE DISCHARGE	AE120MXTPEH/EU	1	SA
26-10-1	DB95-01549P	ASSY-SENSOR HIGH PRESSURE COIL	RD060MHXH2,6HP	1	SA
26-10-2	DB95-01774D	ASSY-SWTCHE HIGH PRESSURE	plus 2 14hp,ssec	1	SNA
26-10-3	DB96-23482A	ASSY TUBE TANK-OIL SEPARATOR	AE120MXTPEH/EU	1	SNA
26-11	DB96-25064A	ASSY TUBE SERVICE-VALVE	EHS TDM+	1	SA
26-11-1	DB62-09633A	VALVE SOLENOID	.,-,13	1	SA
26-11-2	DB62-09658A	VALVE SERVICE-SPINDLE	.,5/8",R410A, FLARE	1	SA
26-11-3	DB96-19879C	ASSY VALVE-SOLENOID	EHS TDM PLUS,BLACK	1	SNA
27	DB96-20615A	ASSY COND BENDING	UB3,SSEC	1	SA
28	DB92-04214A	ASSY KIT	Outdoor C-BOX, E1 PF#5,EHS TDM,Y	1	SNA
28-1	DB27-00118A	COIL HARMONIC	2mH,20A,TAB Type	2	SA
28-2	DB61-04502D	CASE-EMI	RC090MHXEA,HIPS,NATURAL,VE-1877	1	SNA
28-3	DB61-05743A	CASE-PCB	AM053FXMDCH/AA,HIPS,T2.0,141.9,243.3,NATU- RAL,VO,VE-1877,DVM MINI NASA	1	SNA
28-4	DB61-06473A	CASE PCB	AC145JX4PHH1,ABS,COOL WHITE	1	SA
28-5	DB62-12094A	HEAT SINK	NEW PLATFORM #5,AI,10,200,192,Silver	1	SA
28-6	DB65-00209A	TERMINAL BLOCK	DATA 60A,PBT,60*50,BLK,2,SCREW-SCREW,L N	1	SA
28-7	DB65-00274A	TERMINAL BLOCK	Polycarbonate, Phenol,TAB-SCREW,B_Type	1	SA
28-8	DB90-08582A	ASSY CASE CONTROL-SUB	UB3,SSEC	1	SA
28-9	DB92-03322D	ASSY PCB MAIN	UB MAIN,192*120,200~240V,12V/5V,15W	1	SA
28-10	DB92-03687A	ASSY PCB INVERTER	INVERTER,E1-PJT,242*194,220~240V	1	SA
28-11	DB93-04273B	ASSY CONNECTOR WIRE-COMM	6,2095,26,BLU,SMH250-06L/WHT,SMH250-06L	1	SA
28-12	DB93-08805B	ASSY CONNECTOR WIRE-EARTH	1,1015,18,YEL/GRN,YDH236-01W/WHT	1	SA
28-13	DB93-10808J	ASSY CONNECTOR WIRE-COMM	2,1015,22,RED,YH396-02VR/YEL	1	SA
28-14	DB93-11110D	ASSY PCB SUB-EMI	SUB,DVM MINI2,230*90,230V,-,-,SUB-EMI	1	SA
28-15	DB93-12364A	ASSY CONNECTOR WIRE-POWER	3,1015,18,BRN,YH396-03V/WHT,YH396-03V	1	SA
28-16	DB93-12483A	ASSY PCB SUB-EEPROM	SUB,DVMPUS4 UP,20*25	1	SA
28-17	DB93-13687A	ASSY CONNECTOR WIRE-POWER	2,1015,12,BRN,ST710237-2,ST710237-2,-,360	1	SA
28-18	DB93-15686A	ASSY CONNECTOR WIRE-REACTOR	2,3343,12,BLK,MG630591R-5/BLK	2	SA
28-19	DB71-00133A	WIRE-SADDLE	DVM PLUS 3,NYLON 66	1	SA
29	DB93-08235J	ASSY CONNECTOR WIRE-COMP	3,3343,12,RED,HLT 1005/BLK	1	SA
30	DB95-04871E	ASSY THERMISTOR OUT-SUB OUT	UB3 CHASSIS,103AT,6P,1300,2464,24,8	1	SA
31	DB81-00635A	SPRING ETC-SENSOR	DVM-SYSTEM,STS304,R2.5,R4.5,44,0.3,2.0,NONE	2	SA
32	DB98-34943E	ASSY PACKING CASE ASSESSORY	UB3,ASSY,SSE	1	SNA
32-1	DB63-10355C	CAP-DRAIN	CR,T2,BLACK,ASH-1814ER	5	SA
32-2	DB67-00477A	DRAIN-PLUG OUT	UH140GZMC,PP,WHITE,SSEC	2	SA
32-3	DB73-20134A	RUBBER-LEG	V2-MD,NR,55	4	SA
33	DB60-00405A	FASTENER-WASHER	RC100ZHXA,SWRCH10A,M8	2	SA
34	DB63-01416C	GASKET	A/C model,SIR,T1.2,25.0,L55,A/C m	1	SA
35	DB82-03869A	A/S ASSY-EEPROM	AE120MXTPEH/EU	0	SA