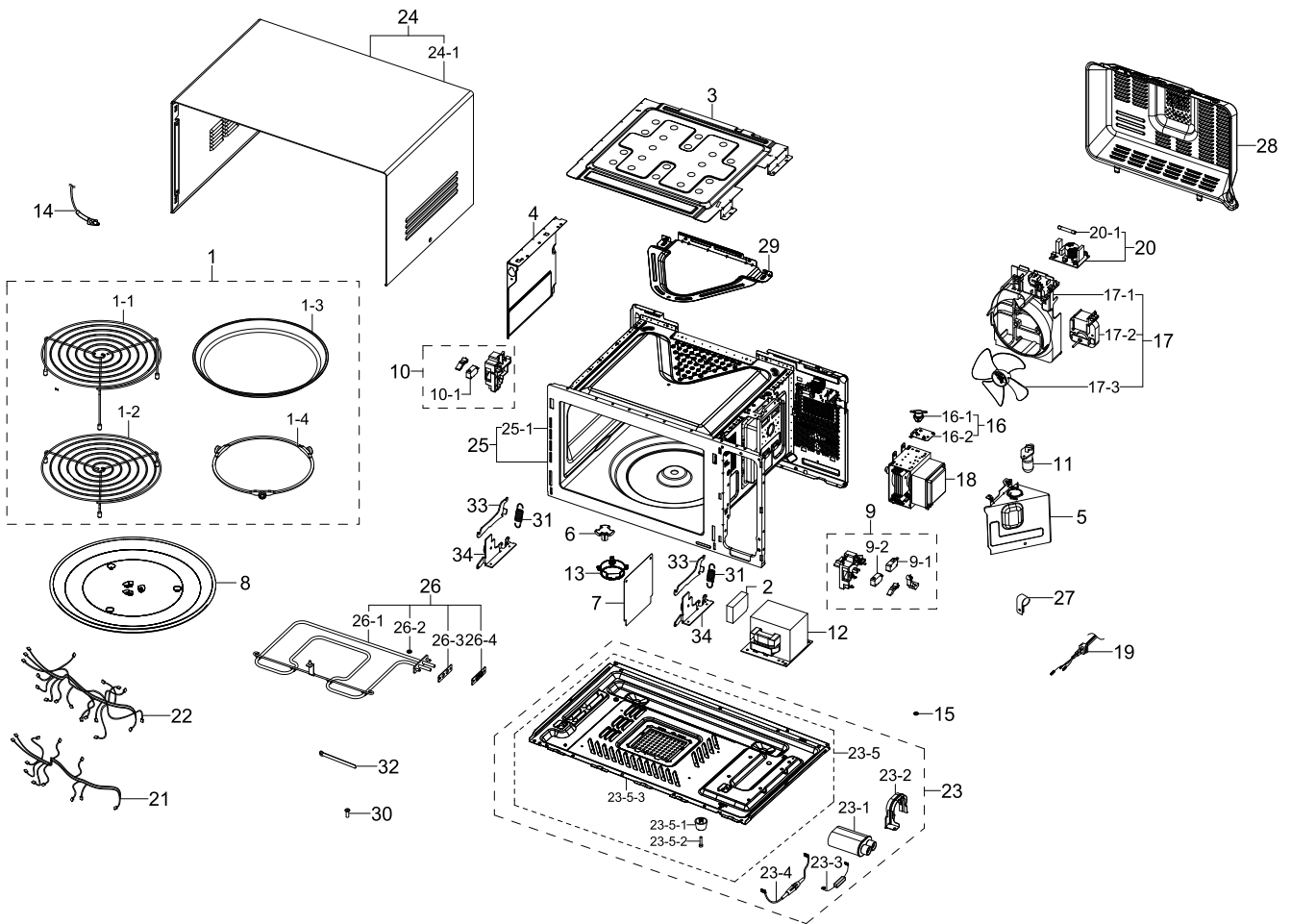


1. MC32K7055CT/EC_0

Exploded View



Parts List

No.	Lvl.	Loc.	Material Code	Description & Specification	SNA	Qty.
1	1		DE90-01574P	ASSY ACCESSORY PARTS; MC32K7055CK,MW7000K	SNA	1
1-1	2	T010	DE97-00136A	ASSY WIRE RACK; CK95,-,-,-	SA	1
1-2	2	T009	DE97-00136B	ASSY WIRE RACK; CK95,-,-,LOW-RACK	SA	1
1-3	2	T133	DE92-90534B	ASSY-TRAY BROILER; CE118KF,AL3004,1.0T	SA	1
1-4	2	T150	DE92-90189S	ASSY GUIDE ROLLER; JES831,SPS(C832-V0),-,	SA	1
2	2	M056	DE63-00005C	CUSHION-HVT; CHLOROPRENE RUBBER,T6,BLACK,	SNA	1
3	2	P214	DE94-03586A	ASSY BRACKET UPPER; MC32K7055CT/ET,EGI-SE	SNA	1
4	2	M053	DE94-03571A	ASSY GUIDE AIR; MC32K7055CT/ET,HOT BLAST	SNA	1
5	2	M037	DE63-00756A	COVER AIR; CELLO,GI-SGCC,T0.4,-,NATURAL	SA	1

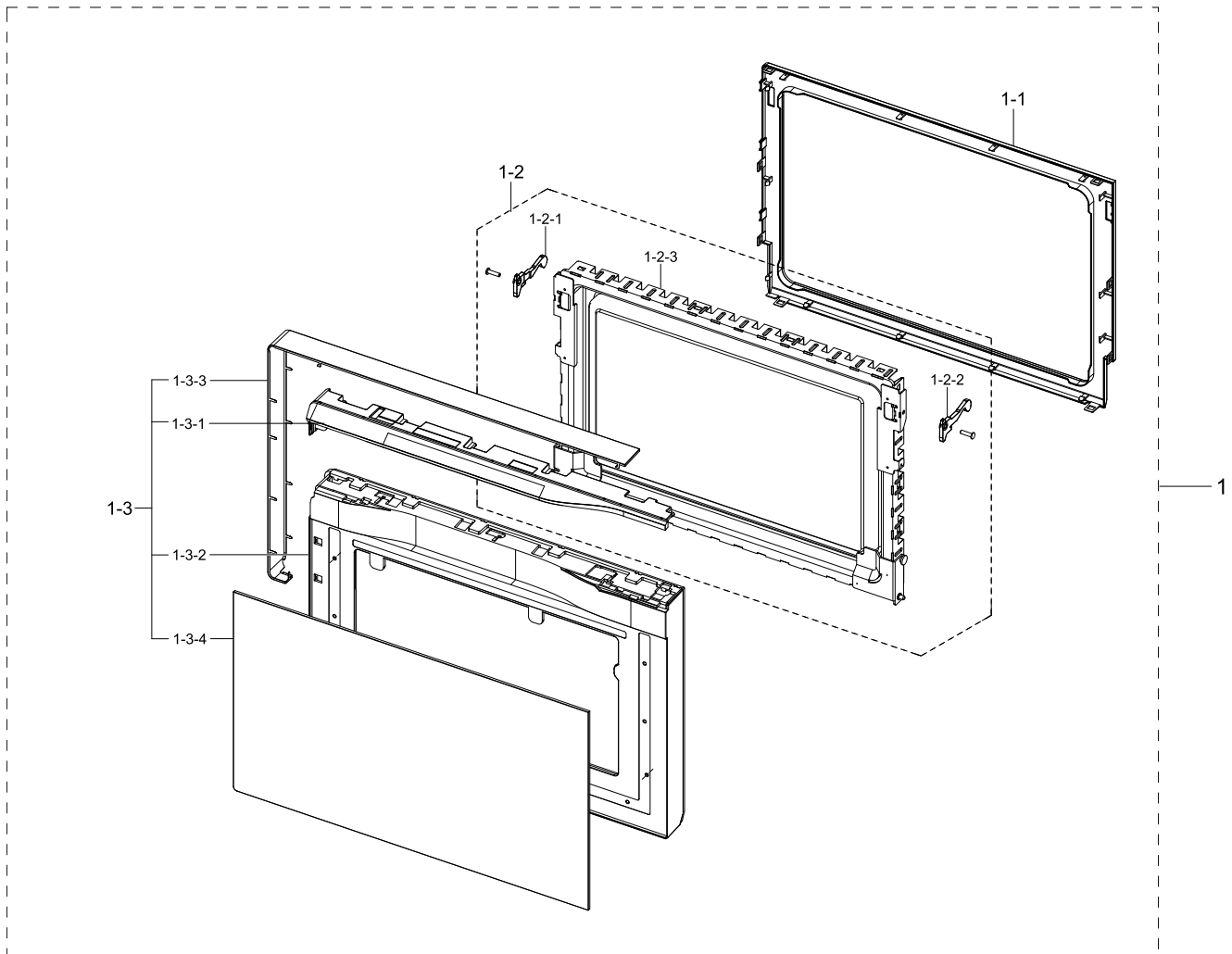
Exploded Views and Parts List

No.	Lvl.	Loc.	Material Code	Description & Specification	SNA	Qty.
6	2	M034	DE67-60081A	COUPLER; 3RD-1.0/1.3,PPS,BROWN	SA	1
7	2	M051	DE71-00015A	COVER-CEILING; CE2933,MICA SHEET,T0.3,W11	SA	1
8	2	T001	DE74-20016A	TRAY COOKING; -,GLASS,T5.0,M551T,PI345,12	SA	1
9	3		DE94-03042A	ASSY BODY LATCH TOP-RIGHT; MC32F606T,1.1C	SA	1
9-1	4	B046	3405-001032	SWITCH-MICRO; 125/250VAC,16A,200gf,SPDT,T	SA	1
9-2	4	B048	3405-001034	SWITCH-MICRO; 125/250VAC,16A,200gf,SPST-N	SA	2
10	3		DE94-03043A	ASSY BODY LATCH TOP-LEFT; MC32F606T,1.1CE	SA	1
10-1	4	B048	3405-001034	SWITCH-MICRO; 125/250VAC,16A,200gf,SPST-N	SA	2
11	2	M036	4713-001524	LAMP-INCANDESCENT; 22x53,BK,20,230,CLEAR,	SA	1
12	2	M038	DE26-00152A	TRANS H.V; SHV-EPT10A,230V,2385V/3.45V,AL	SA	1
13	2	M495	DE31-10170B	MOTOR AC DRIVE; SM16FHK36P1AW3,8,220~240V	SA	1
14	2	M054	DE32-10013A	SENSOR TEMP; 1.0Kohm	SA	1
15	2	H024	DE60-30016A	NUT FLANGE; MSWR-SWRM,MSWR10	SNA	4
16	2		DE96-00912C	ASSY THERMOSTAT; GE614ST/ZAM,(1.3CU.FT/1.	SA	2
16-1	3	M436	DE47-20009A	THERMOSTAT; 125/250V,15/7.5A,150,60,NORMA	SA	2
16-2	3	H012	DE61-01371A	BRACKET-TCO; SMH9151B/XAA,EGI-SECC	SA	2
17	2	M203	DE96-01013A	ASSY MOTOR FAN; MC32F606T,1.1CELLO(CONV)	SNA	1
17-1	3	M022	DE63-00757A	COVER BLOWER; 1.1 CELLO,PP,-,HB,TB53	SA	1
17-2	3	M023	DE31-10185A	MOTOR AC FAN; SMF-3RDEA1,2,230V,50Hz,20W,	SA	1
17-3	3	H096	DE31-90051A	BLADE-FAN; CE10**,PP,130,D30,MT44	SA	1
18	2	M035	OM75P(31)ESGN	ASSY-MGT; ASSY-MGT		1
19	2	M015	DE96-00385A	CBF-POWER CORD; AT,EUROPE,EU3S,,,,Gray,12	SA	1
20	2	M017	DE96-00399F	ASSY NOISE FILTER; SN-UF11F,250V/15A,250V	SA	1
20-1	3	M019	3601-001197	FUSE-CARTRIDGE; 250V,15A,SLOW-BLOW,CERAMI	SA	1
21	2	W038	DE96-01015A	ASSY WIRE HARNESS-B; MC32F604TCT/BW,230V	SA	1
22	3		DE96-01058D	ASSY WIRE HARNESS-MAIN; MC32J7055CT/EN,23	SA	1
23	1	M155	DE94-03046G	ASSY BASE PLATE; MC32F604TCT/EN,EUROPE, 1	SNA	1

No.	Lvl.	Loc.	Material Code	Description & Specification	SNA	Qty.
23-1	2	M039	2501-001015	C-OIL HIGH VOLTAGE; 1000nF,2100V,BK,34x54	SA	1
23-2	2	M040	DE61-50106A	BRACKET-HVC; EGI-SECC,T0.8,-	SA	1
23-3	2	M527	DE59-00002A	DIODE-H.V; MWO,2CL4512H/CL04-12A,500mA,12	SA	1
23-4	2	M042	DE91-70061A	ASSY H.V.FUSE; THV060T,5KV,800mA,SCREW,WH	SA	1
23-5	2	M045	DE94-03047A	ASSY BASE PLATE SUB; MC32F606T,1.1CELLO(C	SA	1
23-5-1	3	M047	DE61-40065A	FOOT; -,PP,T2x22x17mm,BLK,-,-,-	SA	1
23-5-2	3	M046	DE60-60025A	PIN-FOOT; MC28H5013AK/BW,PP,NATURAL	SA	1
23-5-3	3	M048	DE61-01523A	BASE PLATE; 1.1 CELLO,GI-SGCC,-,-,-,-,T0.	SNA	1
24	1		DE94-03356A	ASSY PANEL OUTER; MC32J7055CT/ET,EGI-SECC	SNA	1
24-1	2	M001	DE64-02726F	PANEL OUTER; MC32F604TCT,EGI-SECC,T0.6,W4	SA	1
25	1	P141	DE94-03565A	ASSY CAVITY-COATING; MC32K7055CT/ET,32L,E	SNA	1
25-1	2	Z778	DE94-03566A	ASSY CAVITY-WELDING; MC32K7055CT/ET,32L,E	SNA	1
26	1		DE90-01806A	ASSY GRILL PARTS; MC32J7055CT/ET,MW7000J	SNA	1
26-1	2	H071	DE47-00063A	HEATER SHEATH-GRILL; AC230V,1500W,SUS309S	SA	1
26-2	2	H024	DE60-30016A	NUT FLANGE; MSWR-SWRM,MSWR10	SNA	4
26-3	2	M008	DE63-00049A	GASKET-HEATER; CE2613N,BRASS,T1.0,W53,L15	SA	1
26-4	2	M094	DE63-00048A	GASKET-STOPPER; CE2613N,EGI-SECC,T1.0,W53	SA	1
27	2	M483	DE65-20014A	CABLE CLAMP; NY-66,DA-6N	SNA	1
28	2	P186	DE63-00835A	COVER BACK; MW7000K,GI-SGCC,T0.5	SNA	1
29	2		DE63-00837A	COVER CASING-UP; MW7000K,ALCOAT-SA1C,T0.5	SNA	1
30	2	X036	DE60-20063A	BOLT FLANGE; ZPC,10,YEL,M4,YEL	SNA	4
31	2		DE61-01579A	SPRING HINGE; MC32J7055CT/ET,HSWR-SWRH,D1	SA	2
32	2	M480	6502-001085	CABLE CLAMP; DALC-4,ID5.3,T0.5,GA-SGCC,BL	SNA	1
33	2		DE66-00260A	ARM SILDER; CR-SPCC,T2.0,MW7000J/ZN PLATI	SA	2
34	2		DE94-03306A	ASSY BRACKET SLIDER; MC32J7055CT,CR-SPCC	SA	2

2. Assy Door

Exploded View



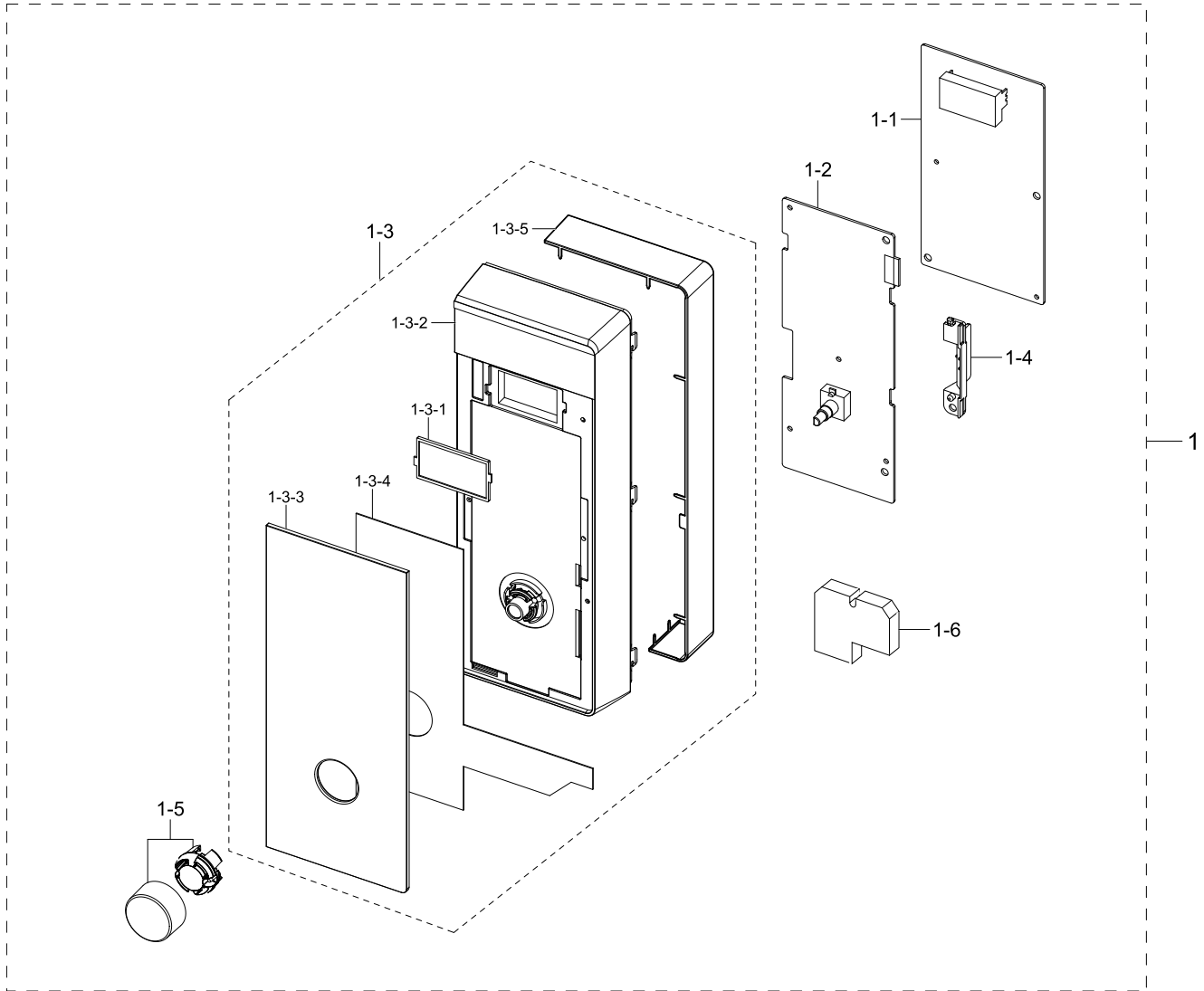
Parts List

No.	Lvl.	Loc.	Material Code	Description & Specification	SNA	Qty.
1	1	D049	DE94-03567A	ASSY DOOR; MC32K7055CT/ET,STS, HOT BLAST	SA	1
1-1	2	D006	DE64-02713A	DOOR C; 1.1 CELLO,PBT,-,-,KP213G15SIBL,BL	SA	1
1-2	2		DE94-03024A	ASSY DOOR E SUB; MC32F606T,1.1CELO(CONV)	SNA	1
1-2-1	3		DE64-02721A	KEY DOOR-LEFT; 1.1 CELLO,ZN-DIECASTING,-,	SA	1
1-2-2	3		DE64-02722A	KEY DOOR-RIGHT; 1.1 CELLO,ZN-DIECASTING,-	SA	1
1-2-3	3		DE94-03026A	ASSY DOOR E SEALANT; MC32F606T,CELO	SNA	1
1-3	2	D037	DE94-03561A	ASSY DOOR A; MC32K7055KT/ET,STSS TYPE	SA	1
1-3-1	3	D019	DE64-02910A	HANDLE DOOR; MW7000K,PC,141R,HB,GE BLACK,	SNA	1

No.	Lvl.	Loc.	Material Code	Description & Specification	SNA	Qty.
1-3-2	3	D002	DE64-02908A	DOOR A; MW7000K,PC,HB,141R,GE BLACK,STSS	SNA	1
1-3-3	3	D133	DE64-02936A	CHASSIS DOOR; MW7000K,STS430,T0.4,STSS	SNA	1
1-3-4	3		DE64-02911A	SCREEN DOOR-B; MW7000K,GLASS,T3.2,CLEAR,N	SNA	1

3. Assy Control

Exploded View



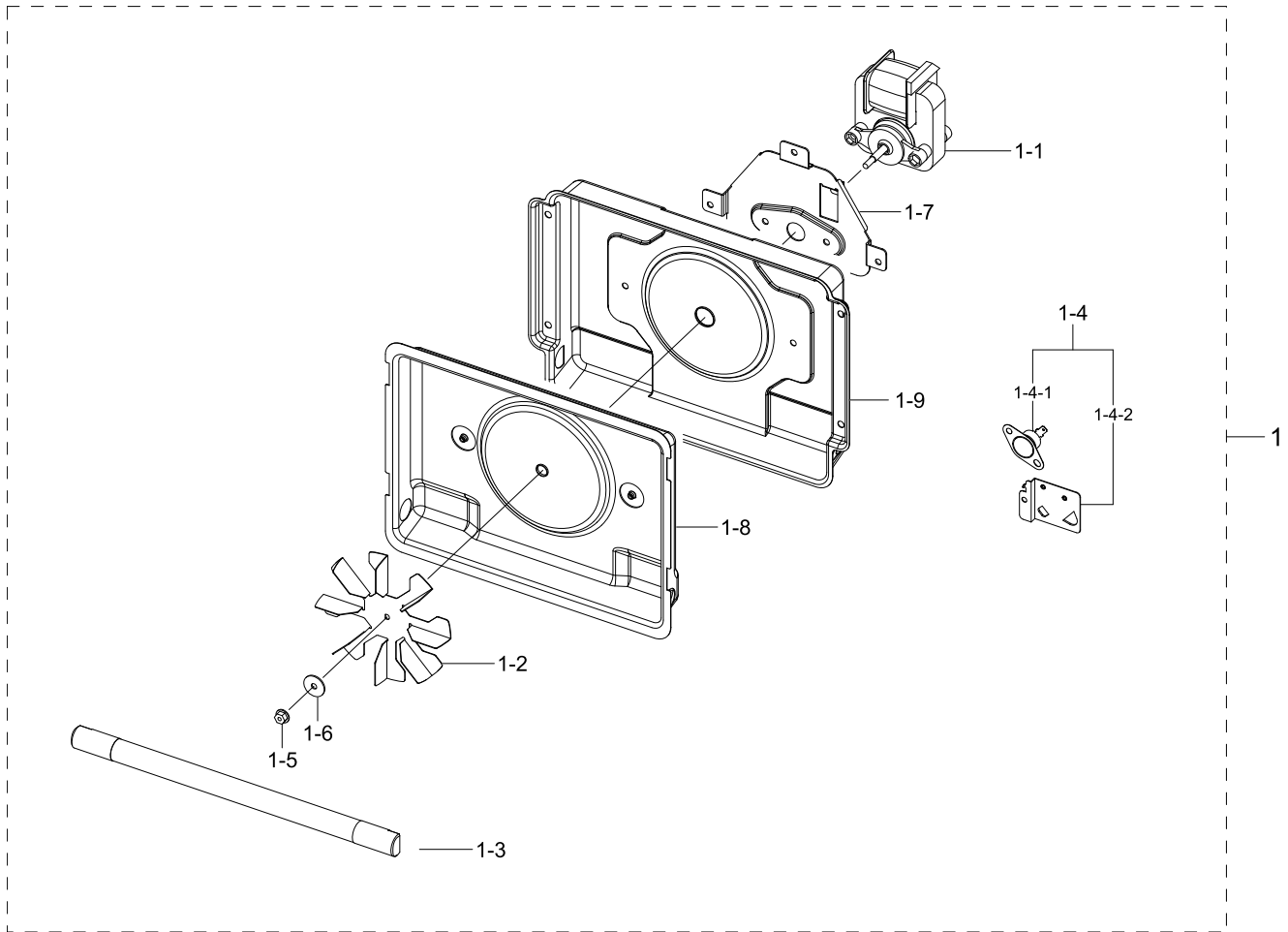
Parts List

No.	Lvl.	Loc.	Material Code	Description & Specification	SNA	Qty.
1	1	C082	DE94-03563A	ASSY CONTROL BOX; MC32K7055CT/ET,PC+ABS,S	SNA	1
1-1	2		DE94-03580A	ASSY PCB EEPROM; EEP_01,DE92-03730G,MW700	SA	1
1-2	2	C084	DE96-01041A	ASSY KEY MODULE; MC28H513GNK,DKM-CHIC2_To	SA	1
1-3	2	C001	DE94-03559A	ASSY CONTROL PANEL; MC32K7055KT/ET,STSS T	SA	1
1-3-1	3	C009	DE64-01986A	WINDOW-DISPLAY; LATIN2,SAN,HB,CR-5381	SNA	1
1-3-2	3		DE64-02919A	PANEL CONTROL; MW7000K,PC,HB,141R,GE BLAC	SNA	1

No.	Lvl.	Loc.	Material Code	Description & Specification	SNA	Qty.
1-3-3	3		DE64-02913A	GLASS PANEL; MW7000K, GLASS, T3.2, CLEAR, NAT	SNA	1
1-3-4	3	C004	DE34-00430A	SWITCH MEMBRANE; MC28H5114NK, PET, 191, TOUC	SA	1
1-3-5	3		DE64-02927A	CHASSIS PANEL; MW7000K, STS430, T0.4, STSS	SNA	1
1-4	2	C178	DE61-01426A	HOLDER PCB; HQ-Z213GW, PP, T2.5, W14.5, BLACK	SNA	1
1-5	2		DE94-03317D	ASSY KNOB; MC32K7055CW, ABS, METALIZING	SA	1
1-6	2	C058	DE63-00302A	CUSHION-PCB; PU FOAM, T5.0, W102, L78, BLACK,	SNA	1

4. AssyCasing

Exploded View



Parts List

No.	Lvl.	Loc.	Material Code	Description & Specification	SNA	Qty.
1	2	H067	DE94-03569A	ASSY CASING; MC32K7055CT/ET,HOT BLAST,MW7	SA	1
1-1	3	H001	DE31-00049C	MOTOR AC CONVECTION; TRIO,SMC-E7103B,2,23	SA	1
1-2	3	H098	DE31-00060A	BLADE-FAN; 1.0value convec,ALCOT,T0.5,VAL	SA	1
1-3	3	M295	DE47-00048A	HEATER QUARTZ-CONVECTION; AC230V,600W,QUA	SA	1
1-4	3		DE96-00912C	ASSY THERMOSTAT; GE614ST/ZAM,(1.3CU.FT/1.	SA	1
1-4-1	3	M436	DE47-20009A	THERMOSTAT; 125/250V,15/7.5A,150,60,NORMA	SA	2
1-4-2	3	H012	DE61-01371A	BRACKET-TCO; SMH9151B/XAA,EGI-SECC	SA	2
1-5	3	M211	DE60-30001A	NUT-HEX; ZNC,M4,YEL	SNA	1
1-6	3	H011	DE60-40014B	WASHER-C MOTOR; EGI-SECC,T1.0,ZNC3	SNA	1

No.	Lvl.	Loc.	Material Code	Description & Specification	SNA	Qty.
1-7	3	P082	DE61-00956A	BRACKET MOTOR; CE1071AR/BWT,EGI-SECC,T1.0	SA	1
1-8	3		DE61-01588A	BRACKET CASING; MW7000K,ALCOAT-SA1C,T0.5	SA	1
1-9	3		DE63-00838A	COVER CASING; MW7000K,EGI-SECC,T0.5	SNA	1