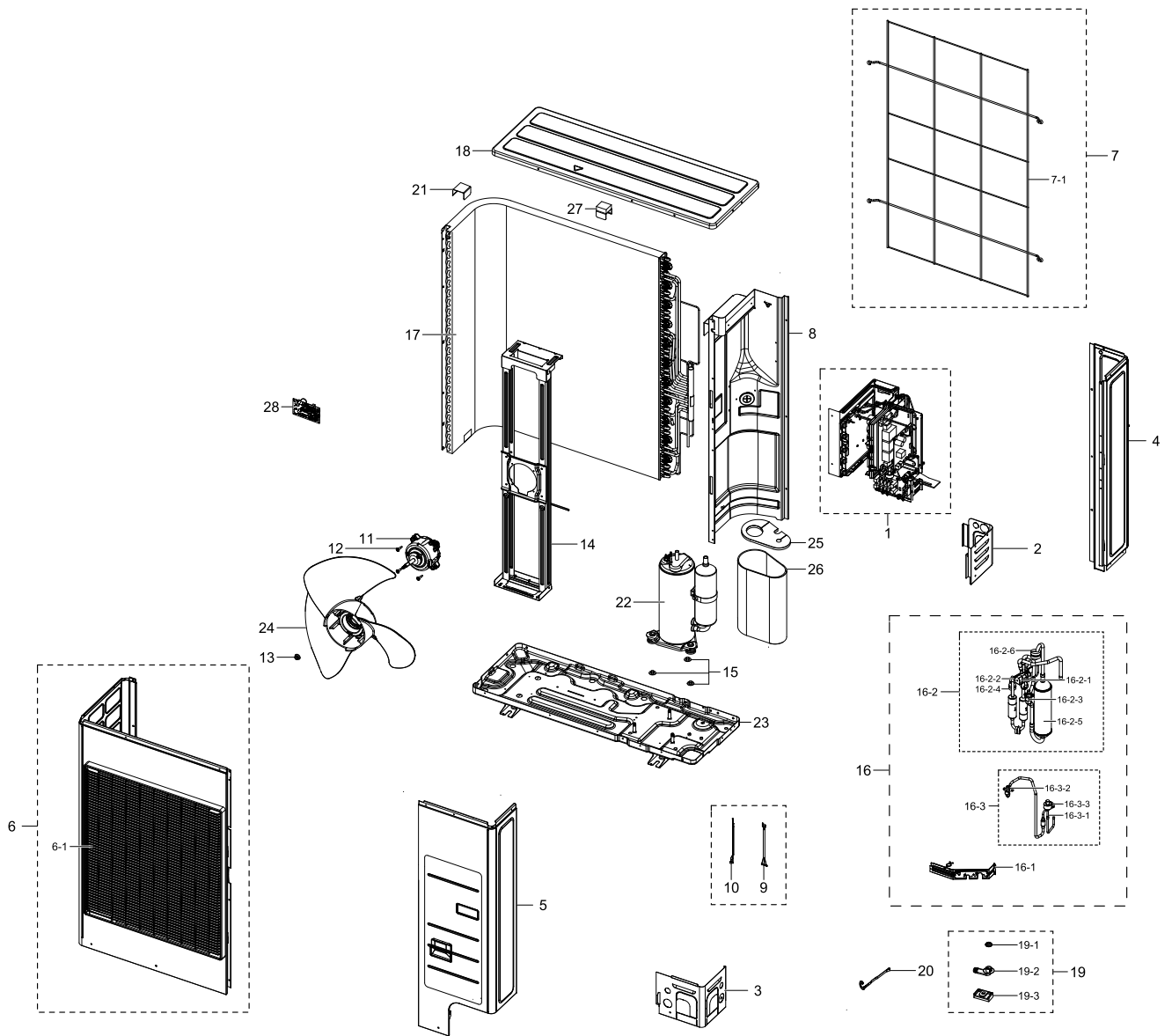


1. AC036MXADKH/CB

Exploded View



Parts List

No.	Lvl.	Loc.	Material Code	Description & Specification	SNA	Qty.
1	2	A3096	DB93-16346A	ASSY CONTROL OUT; PF #4-1	SNA	1
2	2		DB64-02525C	CABINET-INSTALL BACK; RC160MHXEA,EGI-SECC	SA	1
3	2		DB64-02526C	CABINET-INSTALL FRONT; RC100PHXEA,EGI-SEC	SA	1
4	2	A2609	DB90-05903F	ASSY CABI BACK-RH; AC036KXADEC/TL,UB1	SA	1
5	2	A2608	DB90-05904H	ASSY CABI FRONT-RH; AC036KXADEC/TL,UB1	SA	1

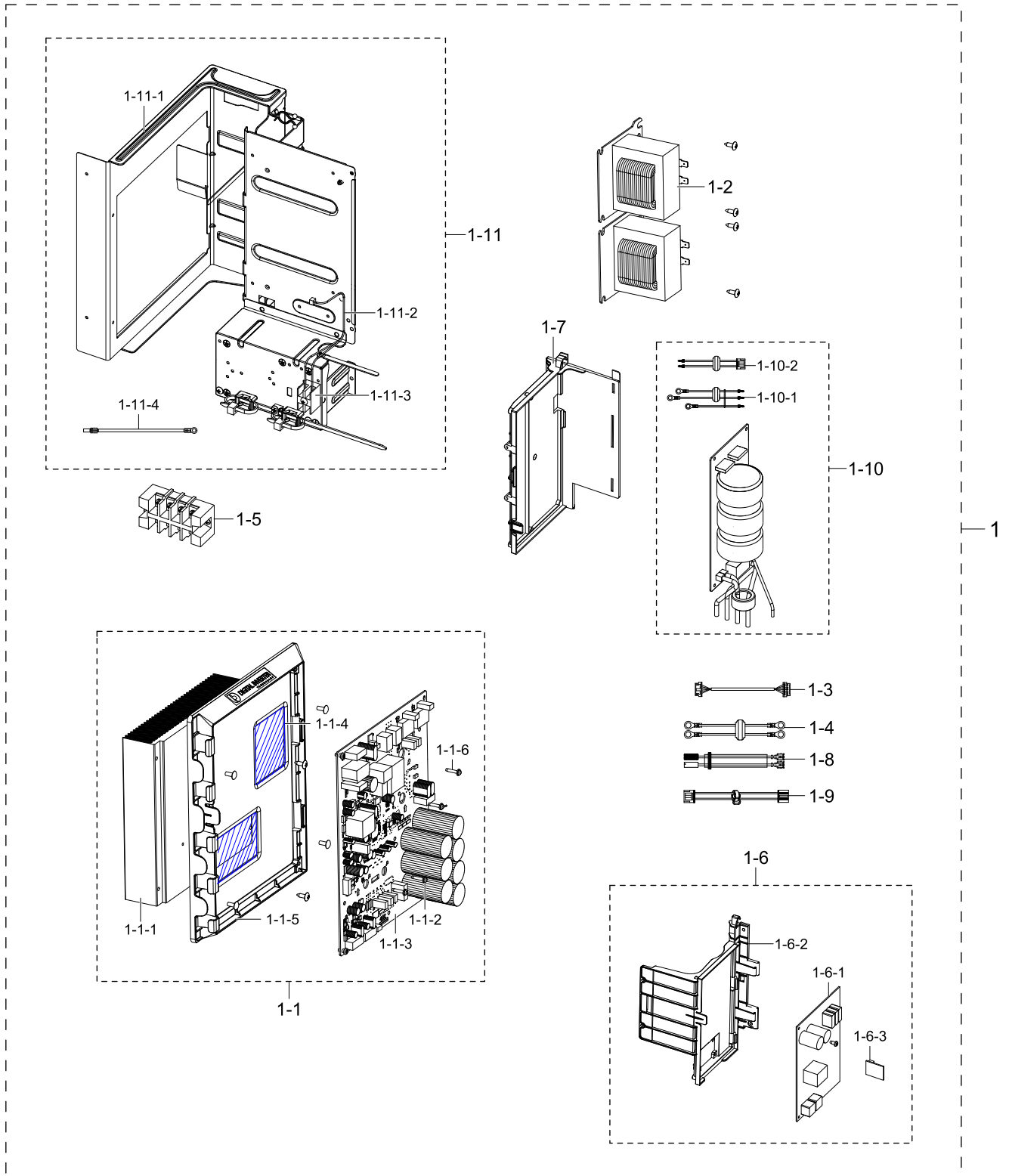
Exploded Views and Parts List

No.	Lvl.	Loc.	Material Code	Description & Specification	SNA	Qty.
6	2	A2620	DB90-05971D	ASSY CABI FRONT-LF; AC120HCADKH/EU	SA	1
6-1	3	G0153	DB63-02728C	GUARD FAN; UB CHASSIS,PP,T2.5,EARTH BROWN	SA	1
7	2		DB90-08318C	ASSY GUARD-COND; UB1 for CAC	SNA	1
7-1	3		DB63-02730C	GUARD COND; RC100ZHxEA,MSWR,T5,EARTH BROW	SA	1
8	2	A1748	DB94-02720E	ASSY PARTITION; AC090JX4PBH1	SNA	1
9	2	A0630	DB93-15687A	ASSY CONNECTOR WIRE-COMP; 3,3343,12,RED,M	SA	1
10	2		DB95-04871D	ASSY THERMISTOR OUT-SUB OUT; 103AT,AC,-,-	SA	1
11	2	M0039	DB31-00579A	MOTOR FAN; 125W,0Hz,DC310V,CLASS E	SA	1
12	2	S0019	DB60-00150A	SCREW-SPECIAL; HWH,M4,L26,ZPC(WHT),SWRCH1	SA	4
13	2		DB60-00405A	FASTENER-WASHER; RC100ZHxEA,SWRCH10A,M8	SA	1
14	2	A2803	DB90-05918B	ASSY BRACKET MOTOR; RC100DHxEA,R410A	SA	1
15	2	S0018	DB60-30028A	NUT-FLANGE; HWH,M8,ZPC(WHT),SWRCH18A,P1.2	SA	3
16	2		DB96-16187G	ASSY VALVE; AC100MXADKH	SNA	1
16-1	3		DB90-05874C	ASSY BRACKET-VALVE; RC100DHxEA,T1.2, UB	SA	1
16-2	3		DB96-16188G	ASSY VALVE-4WAY; AC100MXADKH	SA	1
16-2-1	4	S0247	DB33-00002J	SOLENOID-COIL ASSY; 220V,2,YEL	SA	1
16-2-2	4	V0010	DB62-02838A	VALVE 4WAY; COMMON,3.5	SA	1
16-2-3	4	Z0161	DB62-09658A	VALVE SERVICE-SPINDLE; .,5/8",R410A, FLAR	SA	1
16-2-4	4		DB67-70011C	WEIGHT-RUBBER; NR,BLACK	SA	3
16-2-5	4	A0316	DB96-14716A	ASSY-ACCUMULATOR; RC100PHxEA,1600CC	SA	1
16-2-6	4		DB67-00903B	WEIGHT-RUBBER; NR,T30,OD 47pi,BLK,15.88pi	SNA	1
16-3	3		DB96-14885A	ASSY-TUBE EEV; RC100DHxEA,GLOBAL 4WAY	SA	1
16-3-1	4	V0001	DB62-04267A	VALVE EXPAN; STS304,1.8mm,500	SA	1
16-3-2	4	Z0163	DB62-09654A	VALVE SERVICE-SPINDLE; FLARE,R410A,9.52	SA	1
16-3-3	4		DB62-11205A	VALVE COIL EXPAN; DC12V,COIL,1000,15.45,M	SA	1
17	2	A0590	DB96-15469A	ASSY COND OUT; RC100DHxEA,INV	SA	1
18	2	A0212	DB90-05902E	ASSY CABINET-TOP; RC090MHxEA,EHS MONO	SA	1
19	2		DB98-35035A	ASSY PACKING ACCESSORY; AM040HXMFHG/ID,DV	SNA	1
19-1	3	Z0165	DB63-10355C	CAP-DRAIN; -,CR,T2,-,-,-,-,BLACK,-,-,-,	SA	3
19-2	3	D0116	DB67-00806A	DRAIN-PLUG OUT; UH140GAV,PE,-,-,-,-,NATUR	SA	1

No.	Lvl.	Loc.	Material Code	Description & Specification	SNA	Qty.
19-3	3	Z0166	DB73-20134A	RUBBER-LEG; V2-MD,NBR,10,BLACK	SA	4
20	2	S0242	DB81-00635A	SPRING ETC-SENSOR; DVM-SYSTEM,STS304,R2.5	SA	2
21	2		DB61-00533A	HOLDER-CLAMP COND; RVXMHF050GA,GI-SGCC,T0	SNA	1
22	2		UG8T300FUBJUSG	RCP,COMP,CPR,,R410A; RCP,COMP,CPR,,R410A		1
23	2	A0092	DB90-05873B	ASSY BASE OUT; MAN-U,SEAL-ADD	SA	1
24	2		DB94-03277B	ASSY FAN PROPELLER; MAN-U,520 PI, NATURAL	SC	1
25	2		DB63-03164A	CLOTH-COMP TOP; AC110RX4DBH1,CLOTH/EVA/FE	SA	1
26	2		DB63-03165A	CLOTH-COMP SIDE; AC110RX4DBH1,CLOTH/EVA/F	SA	1
27	2		DB90-02316E	ASSY HOLDER-PLATE COND; RC100PHXEA	SNA	2
28	1		DB82-03571A	A/S ASSY-EEPROM-OUT; AC100MXADKH/EU,10.0k	SA	0

2. ASSY CONTROL OUT

Exploded View



Parts List

No.	Lvl.	Loc.	Material Code	Description & Specification	SNA	Qty.
1	2	A3096	DB93-16346A	ASSY CONTROL OUT; PF #4-1	SNA	1
1-1	3		DB92-03690C	ASSY KIT; OUTDOOR,E1_Universal,INV PF#4-1	SNA	1
1-1-1	4	H0034	DB62-12093A	HEAT SINK; NEW PLATFORM #4,A1,10,200,192,	SA	1
1-1-2	4	A2876	DB91-00307A	ASSY-SCREW MACHINE; WW-INV,M4*16,WSP,PH,+	SA	2
1-1-3	4		DB92-03686D	ASSY PCB INVERTER; INVERTER,E1_Universal,	SA	1
1-1-4	4		0205-000178	GREASE-SILICON; YG6111,WHITE, for assembl	SA	0
1-1-5	4		DB61-06473A	CASE PCB; AC145JX4PHH1,ABS,COOL WHITE	SA	1
1-1-6	4	A2876	DB91-00306A	ASSY-SCREW MACHINE; BLDC INV. CONTROLLER,	SA	2
1-2	3		DB27-00118A	COIL HARMONIC; 2mH,20A,TAB Type	SA	2
1-3	3	A2934	DB93-04273B	ASSY CONNECTOR WIRE-COMM; 6,2095,26,BLU,S	SA	1
1-4	3	A0664	DB93-13687A	ASSY CONNECTOR WIRE-POWER; 2,1015,12,BRN,	SA	1
1-5	3		DB65-00296A	TERMINAL BLOCK-POWER 4P; RC140DHXEA,PC/PB	SA	1
1-6	3		DB90-07578D	ASSY CASE PCB; AF55JS1MAEEXMG	SNA	1
1-6-1	4	A2748	DB92-03310A	ASSY PCB MAIN; OUTDOOR MAIN,CPAC NASA,192	SA	1
1-6-2	4		DB61-05743A	CASE-PCB; AM053FXMDCH/AA,HIPS,T2,L243.3,N	SA	1
1-6-3	4		DB93-12483A	ASSY PCB SUB-EEPROM; SUB,DVMPLUS4 UP,20*2	SA	1
1-7	3		DB61-04502D	CASE-EMI; RC090MHXEA,HIPS,L0,NATURAL,VE-1	SA	1
1-8	3	A2610	DB93-15686A	ASSY CONNECTOR WIRE-REACTOR; 2,3343,12,BL	SA	2
1-9	3	Z0154	DB93-10809A	ASSY CONNECTOR WIRE-EMI TO MAIN POWER; 2	SA	1
1-10	3	A1781	DB93-11110A	ASSY PCB SUB-EMI; SUB,GLOBAL 4WAY,230*90,	SA	1
1-10-1	4	A0664	DB93-10872A	ASSY CONNECTOR WIRE-POWER; 3,1015,12,BRN,	SA	1
1-10-2	4	A0664	DB93-10870B	ASSY CONNECTOR WIRE-POWER; 2,1015,12,BRN,	SA	1
1-11	3	A3096	DB93-10966Q	ASSY CONTROL OUT; HP,Inv,14.0kW,AC090JX4P	SNA	1
1-11-1	4		DB90-05889C	ASSY CASE CONTROL; AC090JX4PBH1,ManU	SA	1
1-11-2	4	A2934	DB93-10808J	ASSY CONNECTOR WIRE-COMM; 2,1015,22,RED,Y	SA	1

Exploded Views and Parts List

No.	Lvl.	Loc.	Material Code	Description & Specification	SNA	Qty.
1-11-3	4	T0179	DB65-00274A	TERMINAL BLOCK; TERMINAL BLOCK,Polycarbon	SA	1
1-11-4	4	A0646	DB93-08805B	ASSY CONNECTOR WIRE-EARTH; 1,1015,18,YEL/	SA	1