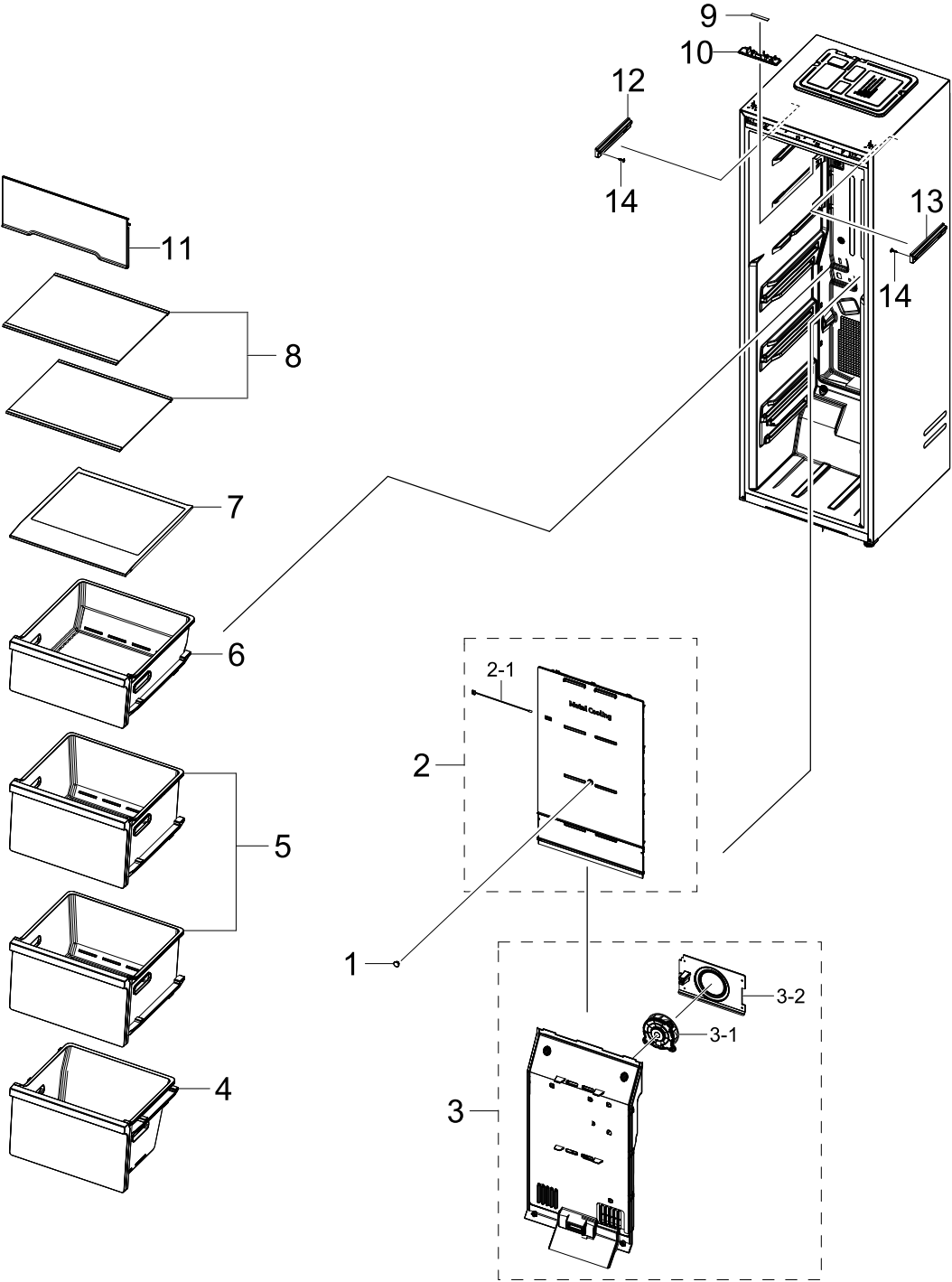


1. FREEZER

FREEZER

Exploded View



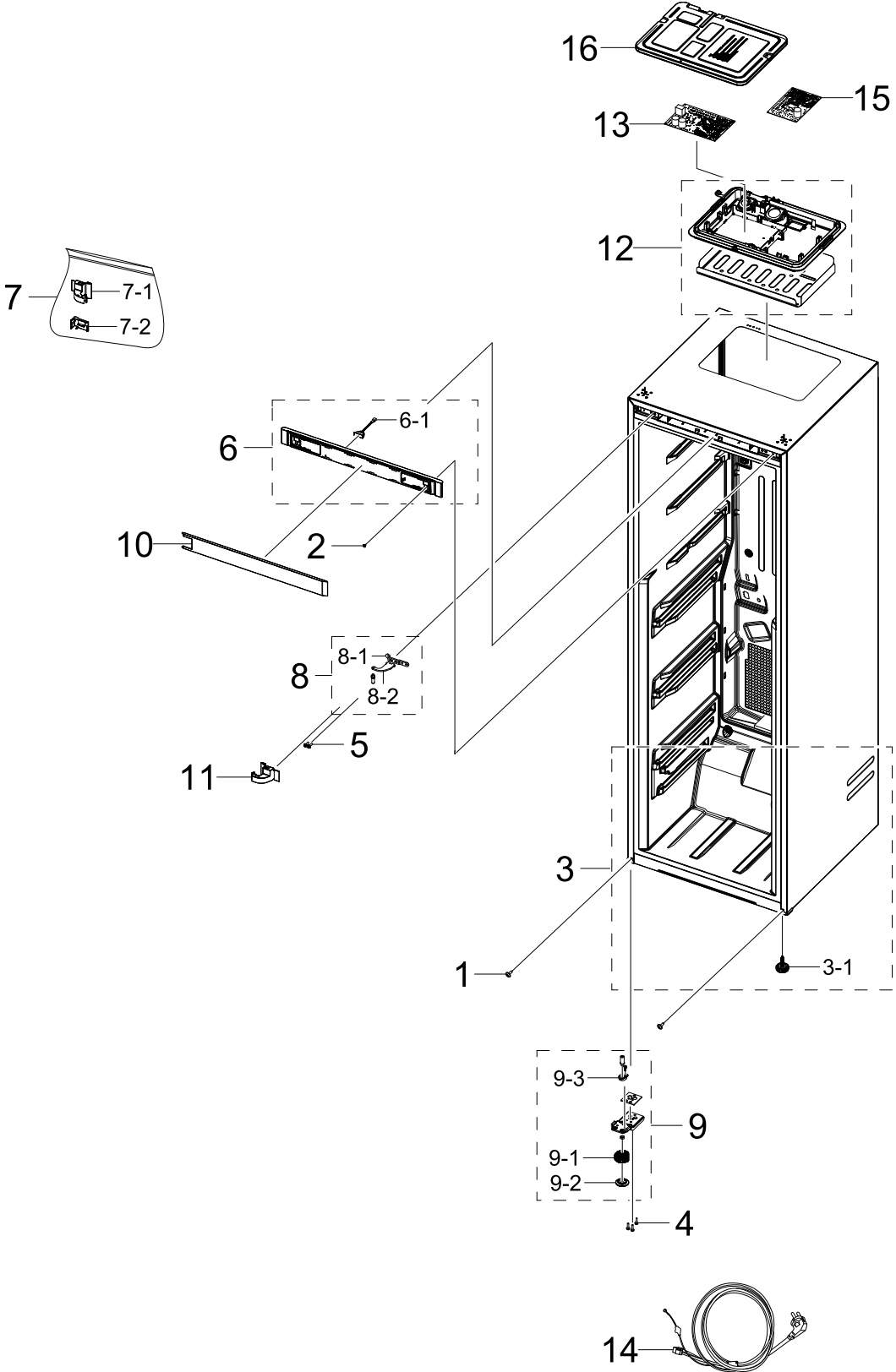
Parts List

No.	Lvl.	Loc.	Material Code	Description & Specification	SNA	Qty.
1	2	A0270	DA67-30266K	CAP SCREW; A-TOP,PP,T1.5,HB,BJ750,COOL WH	SA	1
2	2	M0304	DA97-17202B	ASSY COVER MULTI-FRE; RR7000M,PLATE COOLI	SA	1
2-1	3	A1018	DA32-00070C	SENSOR TEMP; SC41200-021A,L250,13.2kohm,2	SA	1
3	2	M0303	DA97-17185A	ASSY COVER EVAP-FRE; RR7000M	SA	1
3-1	3		DA31-00334D	MOTOR BLDC FAN;12035GE-12M-YT,1775±7%,12	SA	1
3-2	3	M0143	DA61-08425A	CASE-MOTOR FRE; HM12,ABS,INNER GRAY,CNTK	SA	1
4	2	A1186	DA97-17505B	ASSY CASE BASKET-LOW; RR7000M,Hot Stampin	SA	1
5	2		DA97-17506B	ASSY CASE BASKET-MIDDLE; RR7000M,Hot Stam	SA	2
6	2		DA97-17507B	ASSY CASE BASKET-UP; RR7000M,Hot Stamping	SA	1
7	2	M0351	DA97-17523A	ASSY SHELF-FRE; RR7000M	SA	1
8	2		DA97-17520B	ASSY SHELF-FRE UP; RR7000M,SILVER TRIM	SA	2
9	2	G0090	DA41-00519R	ASSY LAMP LED; 3ea,CEM-1,65*10*1.6T,WHITE	SA	1
10	2	A0280	DA63-07368A	COVER LAMP; 3050,SBC,T2,HB,NATURAL,KR01	SA	1
11	2		DA97-17701A	ASSY COVER FOLDER; RR7000M	SA	1
12	2		DA63-08637A	COVER RAIL-LEFT; RR7000M, FRE,HIPS,COOL W	SA	1
13	2		DA63-08639A	COVER RAIL-RIGHT; RR7000M, FRE,HIPS,COOL	SA	1
14	2	G0412	6002-001515	SCREW-TAPPING; TH,+,NO,1,M4,L16,ZPC(WHT),	SA	2

2. CABINET

CABINET

Exploded View



Parts List

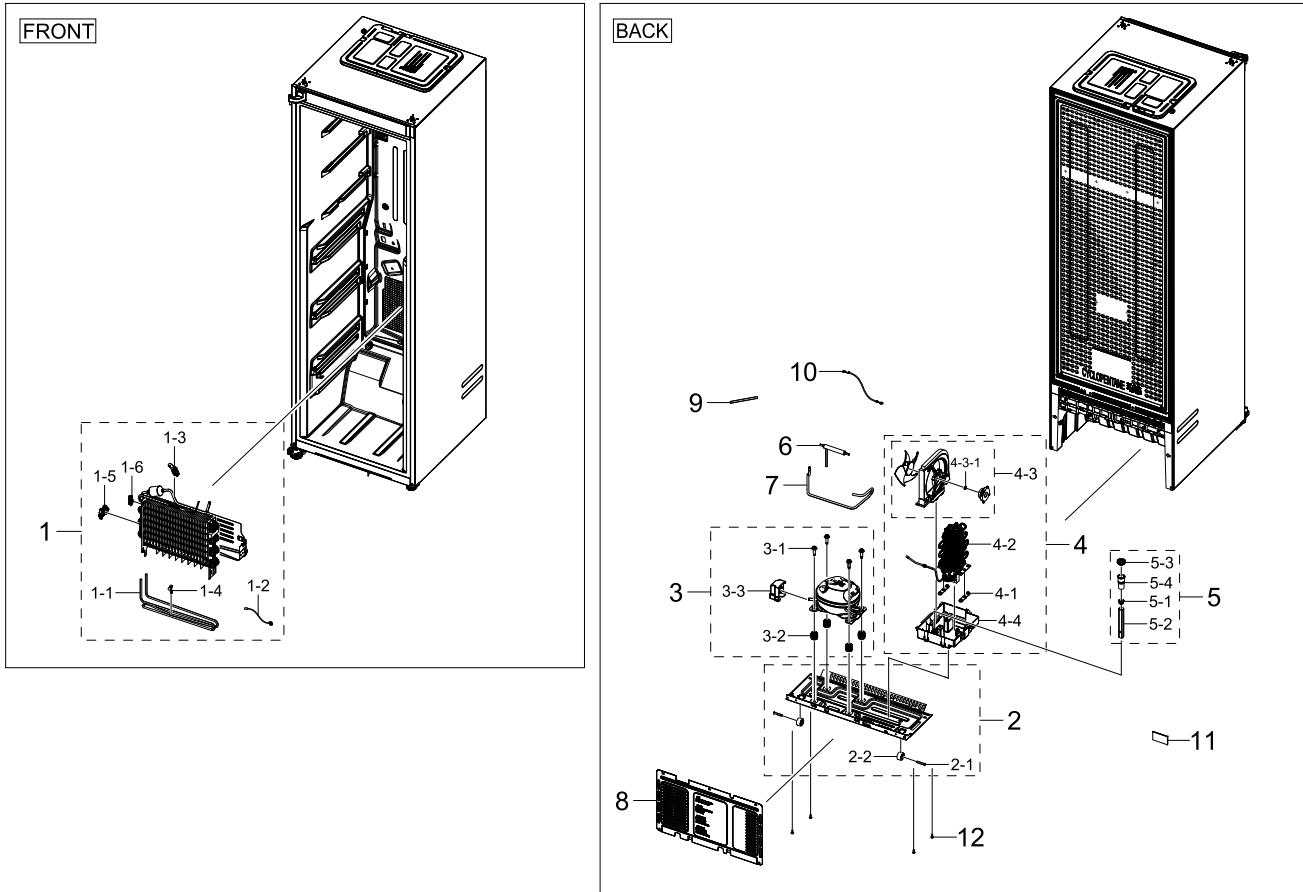
No.	Lvl.	Loc.	Material Code	Description & Specification	SNA	Qty.
1	2	G0412	6006-001083	SCREW-TAPPING; SWRCH18A,ZPC(WHT),L16,M4,P	SA	2
2	2	G0412	6002-000239	SCREW-TAPPING; SWRCH18A,ZPC(WHT),L8,M4,TH	SA	1
3	2		DA97-17309D	ASSY CABI FRAME-BOTTOM; RR7000M,PP,FLAME-	SNA	1
3-1	3	Z1128	DA61-07546B	LEG-FRONT; GRAND CRU,PP,BLACK,RM60,PP Scr	SA	1
4	2	A0564	6011-008075	BOLT-HEX; M5(P0.8),L20,ZPC(WHT),HWH,+,SWR	SA	3
5	2	A0564	6011-001546	BOLT-HEX; M5(P0.8),L16,ZPC(WHT),HWH,+,SWR	SA	2
6	2	A0904	DA97-17351A	ASSY COVER CONTROL-FRONT; RR7000M,INOX GR	SA	1
6-1	3		DA34-00043J	SWITCH REED; UL1007 AWG 22,50mm	SA	1
7	2		DA91-04725A	ASSY INSTALL-REVERSIBLE KIT; RR7000M,FRE,	SNA	1
7-1	3		DA63-08658A	COVER WIRE-HINGE RIGHT; RR7000M,ABS,-,HB,	SA	1
7-2	3		DA67-04367A	CAP SPACE-DOOR LEFT; RR7000M,ABS,-,HB,HG-	SA	1
8	2		DA97-17380B	ASSY HINGE-UP LEFT; RZ32M7*,T4.0,Zn coati	SA	1
8-1	3		DA61-08988B	HINGE-UP B; 3050PJ,PO-SPHC,T4,-,-,-,Zn	SA	1
8-2	3		DA61-11357B	HINGE-UP A; RR7000M,PO-SPHC,T4,-,-,-,Zn	SA	1
9	2		DA97-17381A	ASSY HINGE-LOW LEFT; RR7000M,T4.0,BLACK	SA	1
9-1	3	A0577	DA61-07972B	FOOT-FRONT; POLARIS,PP,BLACK,INSERT NUT,	SA	1
9-2	3	A0863	DA61-07973B	FOOT; POLARIS,PP,BLACK,PP_S,0103-007539,R	SA	1
9-3	3	M0266	DA66-00401A	CAM-RISER; SAPPHIRE-PJT,PA66,BLACK,KN3311	SA	1
10	2		DA63-08660A	COVER FRAME-TOP FRONT; RR7000M,ABS,-,HB,I	SA	1
11	2		DA63-08657A	COVER WIRE-HINGE LEFT; RR7000M,ABS,-,HB,I	SA	1
12	2		DA97-17314B	ASSY CASE PBA; RR7000,PP	SNA	1
13	1	A0952	DA92-00853Q	ASSY PCB MAIN; RR7000M,160*194,FREEZER,F/	SA	1
14	2	A0273	3903-000794	POWER CORD-AT; H05VV-F 3x0.75mm2,BLK,EU3F	SA	1

No.	Lvl.	Loc.	Material Code	Description & Specification	SNA	Qty.
15	1		DA92-00459P	ASSY PCB INVERTER; INVERTER,3050,148*98.5	SA	1
16	2		DA97-17317A	ASSY COVER PBA; RR7000M,GI-SGCC	SA	1

3. CYCLE

CYCLE

Exploded View



Parts List

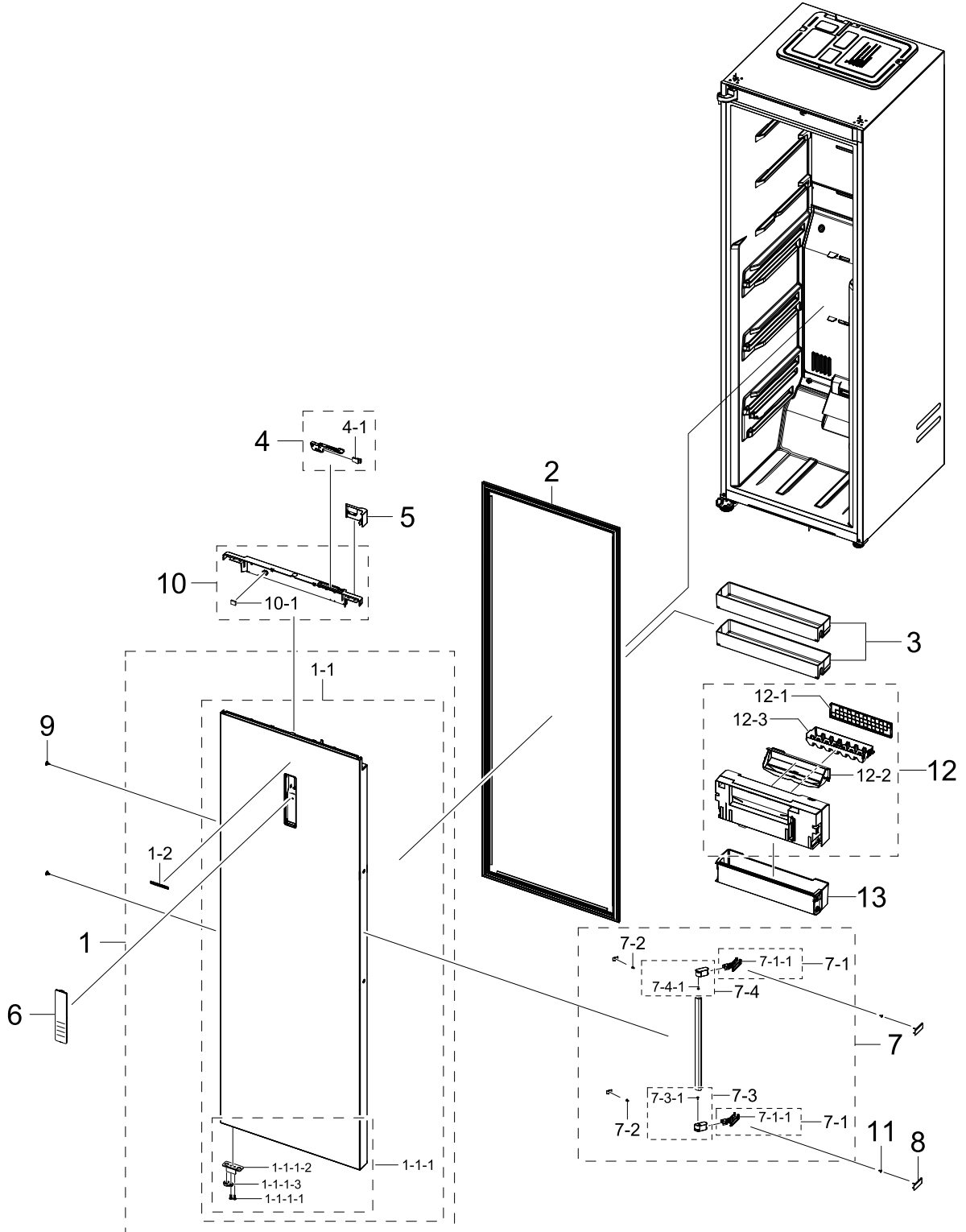
No.	Lvl.	Loc.	Material Code	Description & Specification	SNA	Qty.
1	2		DA96-01211D	ASSY EVAP-FRE EVAP MODULE; RR7000M,Fin Tu	SA	1
1-1	3		DA47-00489C	HEATER METAL SHEATH; AC230V,264.5 ohm, RR	SA	1
1-2	3	A1018	DA32-00029R	SENSOR TEMP; 35965-0200, PVC TUBE 300mm,L	SA	1
1-3	3	T0066	DA61-00603A	FIXER SENSOR; All model,PP,T2,BLACK,-,TYP	SA	1
1-4	3	M9010	DA61-03644A	PLATE-EVAP HEATER; AW-PJT,Al,T0.7	SA	1
1-5	3	G0205	DA61-07410A	FIXER-HEATER FRE; NW2,PP,NATURAL,BJ750	SA	2
1-6	3	A0744	DA61-07411A	FIXER-FUSE; NW2,PP,NATURAL,BJ750	SA	1
2	2	A0526	DA97-17325B	ASSY CHASSIS COMP; RR7000/RB4000,T0.8	SA	1

No.	Lvl.	Loc.	Material Code	Description & Specification	SNA	Qty.
2-1	3	A0861	DA60-90146A	PIN-CASTER; SR-289-429,MSWR10,L38	SA	2
2-2	3	A0527	DA61-06202A	CASTER-REAR; GRAND-CRU,PP,NATURAL	SA	2
3	2		NN34H9112APTT3	CMP,COMP,REFRIGERATOR,R-600A; CMP,COMP,REFRIGERATOR,R-600A		1
3-1	3	A0564	6011-004061	BOLT-HEX; M6,L43.6,ZPC(SILVER),HH,SOCKET,	SA	4
3-2	3	Z1112	DA63-02617C	GROMMET COMP; NN34J9902AP,IIR,BLACK,H28.3	SA	4
3-3	3	Z1032	DA63-06122A	COVER RELAY; MSV,MPPE,T2,BLACK,N300X,V-0	SA	1
4	2	A0529	DA97-17318A	ASSY TRAY DRAIN WATER; RR7000M,C150Q, Al-	SA	1
4-1	3	M0181	DA63-40128A	GROMMET-SUB COND; NBR,DARK-GRAY	SA	2
4-2	3	G0270	DA97-12865A	ASSY PIPE-CONDENSER; TWIN12,SPIRAL-AL,-,-	SA	1
4-3	3	M0116	DA97-17321G	ASSY SUPPORT-CIRCUIT MOTOR; RR7000M,C150Q	SA	1
4-3-1	4	A0768	DA61-20128A	SPRING ETC-FAN; STS304,PI8.8,ID7.8,OD9.8,	SA	1
4-4	3		DA97-17864A	ASSY TRAY; RR7000M,TRAY DRAIN WATER, SEAL	SA	1
5	2	M0067	DA97-04049E	ASSY CAP-DRAIN; AW3	SA	1
5-1	3	A0336	DA61-05021A	FIXER-DRAIN; HAEMIL,PP,T0.6,CARMEN WINE,B	SA	1
5-2	3	A1101	DA62-01266B	TUBE PVC; AW3,PVC,OD19.4,L155,BLACK	SA	1
5-3	3		DA63-02761A	GROMMET-DRAIN; RS18RK,NBR,BLACK	SA	1
5-4	3	A0492	DA67-01301A	CAP-DRAIN; AW4,HIPS,HB,576H,NATURAL	SA	1
6	2	A0669	DA62-04309C	DRYER; C1220T-H,L118,SINGLE MOUTH,For Cap	SA	1
7	2		DA62-04855A	PIPE CONNECT-SUCTION; RR7000M,Cu,6.35,0.6	SA	1
8	2	Z1131	DA63-08663A	COVER COMP; RR7000M,GI-SGCC,T0.3,EMBO	SA	1
9	2		DA73-00199D	PIPE CONNECT; RT5/6/7000K,Cu,OD6.35,T0.6,	SA	1
10	2	A0562	DA39-20389A	ASSY WIRE HARNESS-EARTH; EARTH,ALL,FREE V	SA	1
11	2		DA62-00960A	SEAL CUTT-RUBBER; RT5000K,RUBBER,T3,W40,L	SA	1
12	2	G0412	6002-000613	SCREW-TAPPING; TH,+,-,2,M5,L16,ZPC(WHT),S	SA	4

4. ASSY DOOR

ASSY DOOR

Exploded View



Parts List

No.	Lvl.	Loc.	Material Code	Description & Specification	SNA	Qty.
1	2	M0063	DA91-04713E	ASSY DOOR FOAM-FRE; RR7000M,FRE,REFINED I	SA	1
1-1	3		DA97-17655F	ASSY PLATE DOOR-FRE; RR7000M,REFINED INOX	SNA	1
1-1-1	4	A0047	DA97-17653A	ASSY CAP DOOR-FRE LOW; RR7000M,INOX GRAY	SNA	1
1-1-1-1	5	G0412	6002-000613	SCREW-TAPPING; TH,+,-2,M5,L16,ZPC(WHT),S	SA	2
1-1-1-2	5	A0640	DA61-11383A	STOPPER DOOR; RR7000M,PO-SPHC,T3.0,BLACK,	SA	1
1-1-1-3	5	M0389	DA66-00344A	CAM-HINGE RISER LOW; USP05(ATOP,ET),PA66,	SC	1
1-2	3	M0196	DA64-04020A	MASCOT; All,Ni	SA	1
2	2		DA97-17702B	ASSY GASKET; RR7000M,GRAY, A++ Model	SA	1
3	2		DA97-17681A	ASSY GUARD-FRE; RR7000M,Hot Stamping	SA	2
4	2		DA97-17741C	ASSY COVER UNIT; RR7000M,INOX GRAY,Extern	SA	1
4-1	3		DB92-03769A	ASSY MODULE; ASSY GENDER,ASSY GENDER, CEM	SA	1
5	2		DA67-04366A	CAP SPACE-DOOR RIGHT; RR7000M,ABS,-,HB,HG	SA	1
6	2		DA97-17284B	ASSY COVER CONTROL-FRE; RR7000M,FRE	SA	1
7	2	A0553	DA97-17287A	ASSY HANDLE; RR7000M,INOX GRAY, EASY	SA	1
7-1	3		DA97-17286A	ASSY HANDLE-A; RR7000M,INOX GRAY	SNA	2
7-1-1	4		DA61-11371A	SUPPORT HANDLE-A; RR7000M,POM,K300,DARK H	SA	2
7-2	3	G0412	6002-001122	SCREW-TAPPING; FH,+,1,M4,L14,ZPC(WHT),SWR	SC	2
7-3	3	A0811	DA97-15746A	ASSY HANDLE-LOW; BK-PJT,INOX GRAY	SNA	1
7-3-1	4	G0412	6002-001122	SCREW-TAPPING; FH,+,1,M4,L14,ZPC(WHT),SWR	SC	2
7-4	3		DA97-15745A	ASSY HANDLE-UP; BK-PJT,INOX GRAY	SNA	1
7-4-1	4	G0412	6002-001122	SCREW-TAPPING; FH,+,1,M4,L14,ZPC(WHT),SWR	SC	2
8	2		DA63-08662A	COVER SLIDER HANDLE; RR7000M,ABS,HB,CREAM	SA	2
9	2		DA67-04025A	CAP SCREW; BK-PJT,ABS,HB,HG-0760GP,INOX G	SA	2
10	2		DA97-17366A	ASSY COVER WIRE DOOR; RR7000M,INOX GRAY	SA	1
10-1	3	A0534	DA61-03769B	MAGNET; SVETA,FERRITE,1600Gauss	SA	1
11	2	A0848	DA81-01532A	SCREW-MACHINE; BH,+,M5,L12.7,ZPC(WHT),SWR	SA	2

Exploded Views and Parts List

No.	Lvl.	Loc.	Material Code	Description & Specification	SNA	Qty.
12	2		DA97-17503B	ASSY ICE MAKER-INDOOR; RR7000M,TRAY ICE (SNA	1
12-1	3		DA61-11392A	CASE TRAY-FRE UP; RR7000M,HIPS,COOL WHITE	SA	1
12-2	3		DA61-11393A	GUIDE WATER-OUT; RR7000M,HIPS,T2.5,HB,HG-	SA	1
12-3	3		DA63-08670B	TRAY ICE; RR7000M,PP,NATURAL	SA	1
13	2		DA97-17502A	ASSY CASE ICE; RR7000M	SA	1