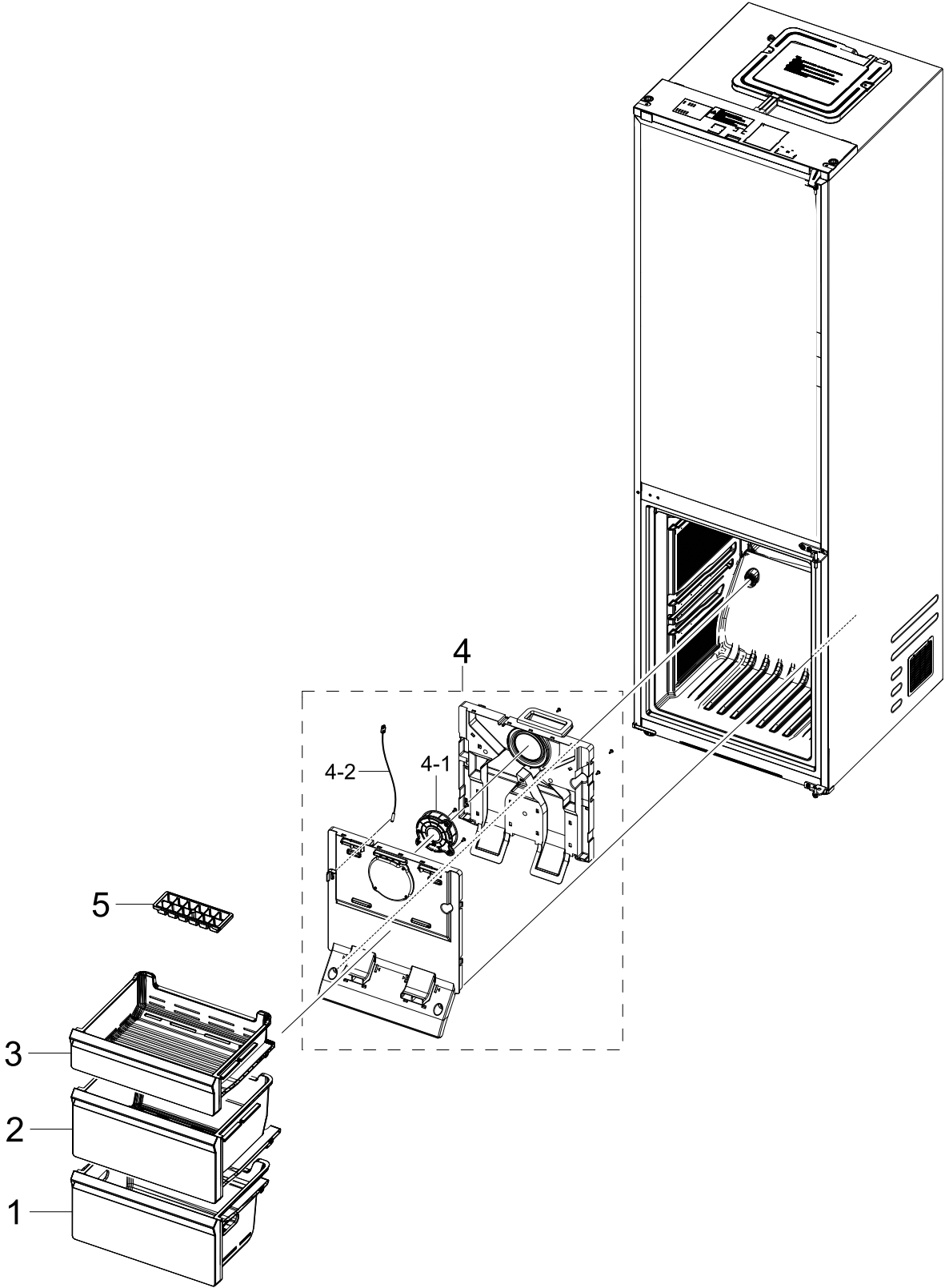


# 1. Freezer

Freezer

Exploded View



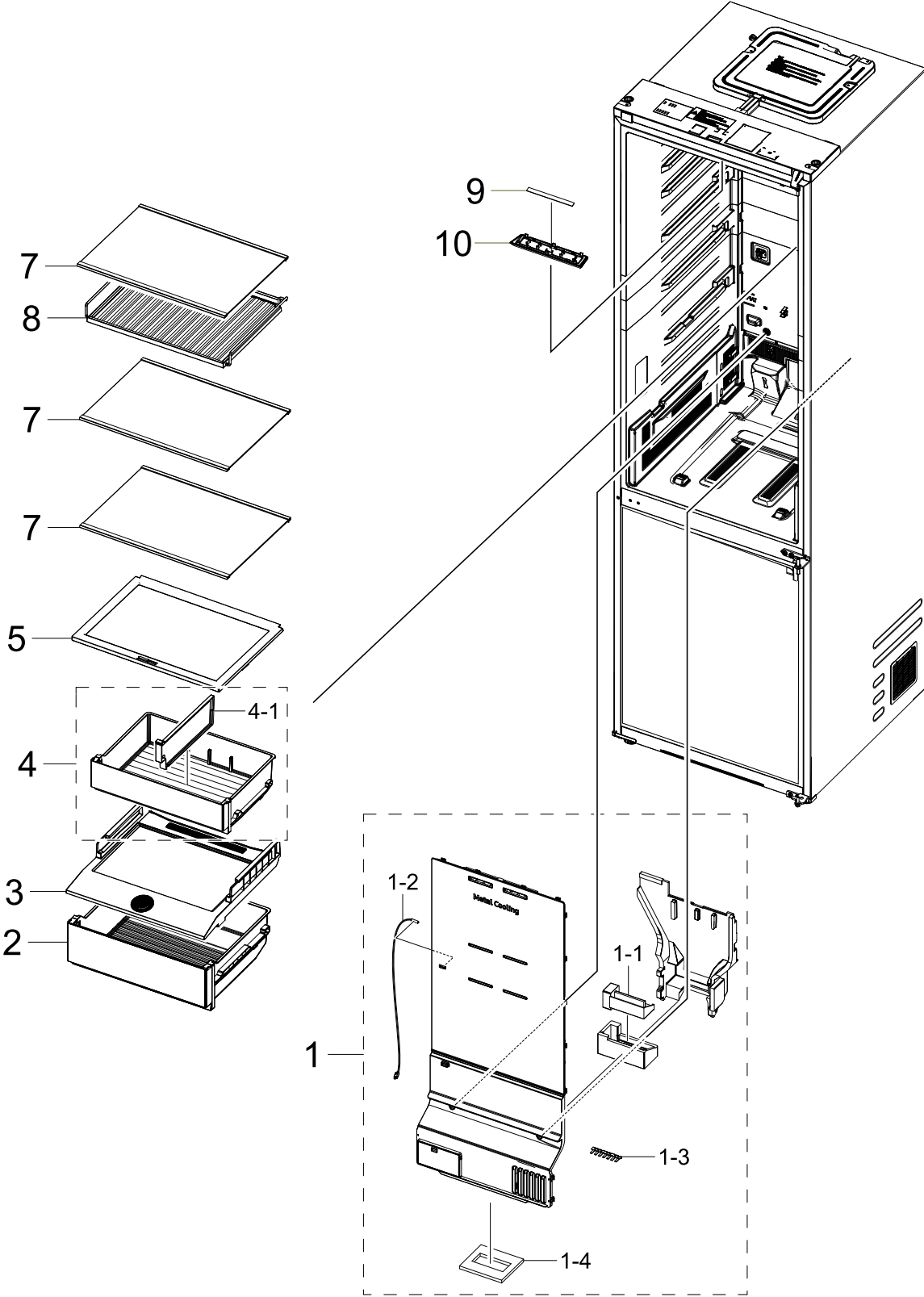
**Parts List**

| No. | Lvl. | Loc.  | Material Code | Description & Specification                  | SNA | Qty. |
|-----|------|-------|---------------|--|-----|------|
| 1   | 2    | G0267 | DA97-21136B   | ASSY TRAY-FRE LOW DRAWER MODULE;<br>RB7300T, | SA  | 1    |
| 2   | 2    |       | DA97-21135B   | ASSY TRAY-FRE MIDDLE DRAWER<br>MODULE; RB730 | SA  | 1    |
| 3   | 2    | M0483 | DA97-21134B   | ASSY TRAY-FRE UP DRAWER MODULE;<br>RB7300T,T | SA  | 1    |
| 4   | 2    | M0303 | DA97-21145A   | ASSY COVER EVAP-FRE COVER EVAP<br>MODULE; RB | SA  | 1    |
| 4-1 | 3    |       | DA31-00334C   | MOTOR BLDC<br>FAN;12035GE-12M-YT,1775±7%,12  | SA  | 1    |
| 4-2 | 3    | A1018 | DA32-10105X   | SENSOR TEMP;QUEEN<br>PJT,-40~120°C,5V,F-SENS | SA  | 1    |
| 5   | 2    |       | DA67-40146A   | TRAY ICE-ICE MODULE;<br>RB7300T,PP,T1.5,HB,N | SA  | 1    |

# 2. Fridge

Fridge

Exploded View



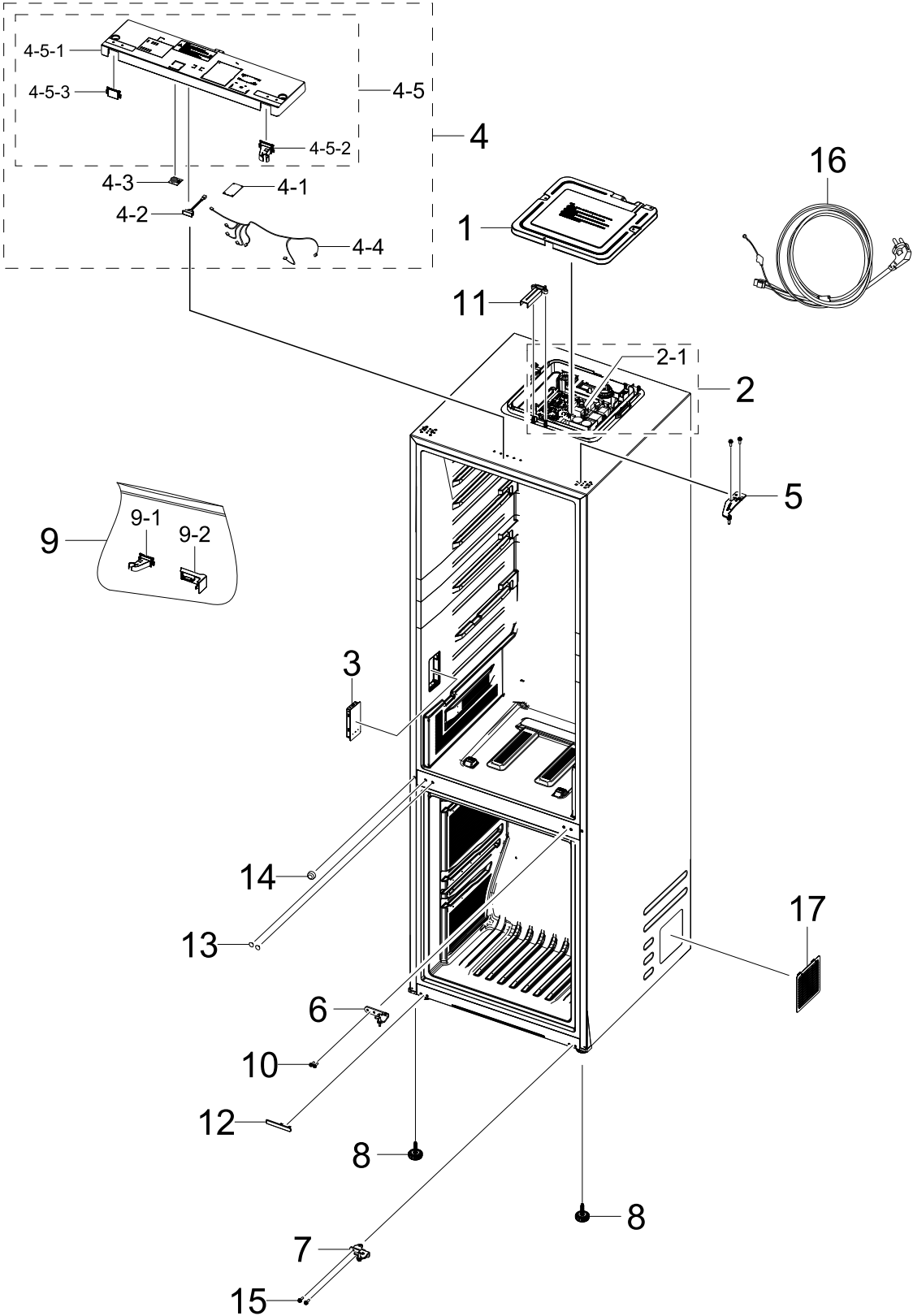
**Parts List**

| No. | Lvl. | Loc.  | Material Code | Description & Specification               | SNA | Qty. |
|-----|------|-------|---------------|---|-----|------|
| 1   | 2    | G0239 | DA97-21143A   | ASSY COVER MULTI-REF MULTI MODULE; RB7300 | SA  | 1    |
| 1-1 | 3    |       | DA31-00333C   | MOTOR GEARED DC DAMPER; NSBA001TN1,375rpm | SA  | 1    |
| 1-2 | 3    | A1018 | DA32-00070D   | SENSOR TEMP; SC41199-021A,L900,13.2kohm,2 | SA  | 1    |
| 1-3 | 3    |       | DA61-11032A   | FIXER; RT5000K,PA66,WHITE,KN3322V0,7P Ret | SA  | 1    |
| 1-4 | 3    |       | DA62-05494A   | SEAL INS MULTI-REF LOW; RB7300T,PE OPEN C | SA  | 1    |
| 2   | 2    | M0300 | DA97-21133B   | ASSY CASE VEG-LOW DRAWER MODULE; RB7300T, | SA  | 1    |
| 3   | 2    |       | DA97-21137A   | ASSY SHELF-VEG LOW SHELF MODULE; RB7300T, | SA  | 1    |
| 4   | 2    |       | DA97-21132B   | ASSY CASE VEG-UP DRAWER MODULE; RB7300T,T | SA  | 1    |
| 4-1 | 3    |       | DA61-14031A   | GUIDE TRAY-REF; RB7300T,HIPS,T2.5,576H,CO | SA  | 1    |
| 5   | 2    |       | DA97-21093A   | ASSY SHELF-VEG UP SHELF MODULE; RB7300T,2 | SA  | 1    |
| 7   | 2    |       | DA97-21494A   | ASSY SHELF-GLASS REF SHELF MODULE; RB7300 | SA  | 3    |
| 8   | 2    |       | DA97-21091A   | ASSY SHELF WIRE-SHELF MODULE; RB7300T,WIN | SA  | 1    |
| 9   | 2    |       | DA96-01119A   | ASSY LAMP LED; 3EA,FR-4,150*12,WHITE,SMAW | SA  | 1    |
| 10  | 2    |       | DA97-21569A   | ASSY COVER LAMP; RB7300T,COVER LAMP, ASSY | SA  | 1    |

# 3. Cabinet

Cabinet

Exploded View



## Parts List

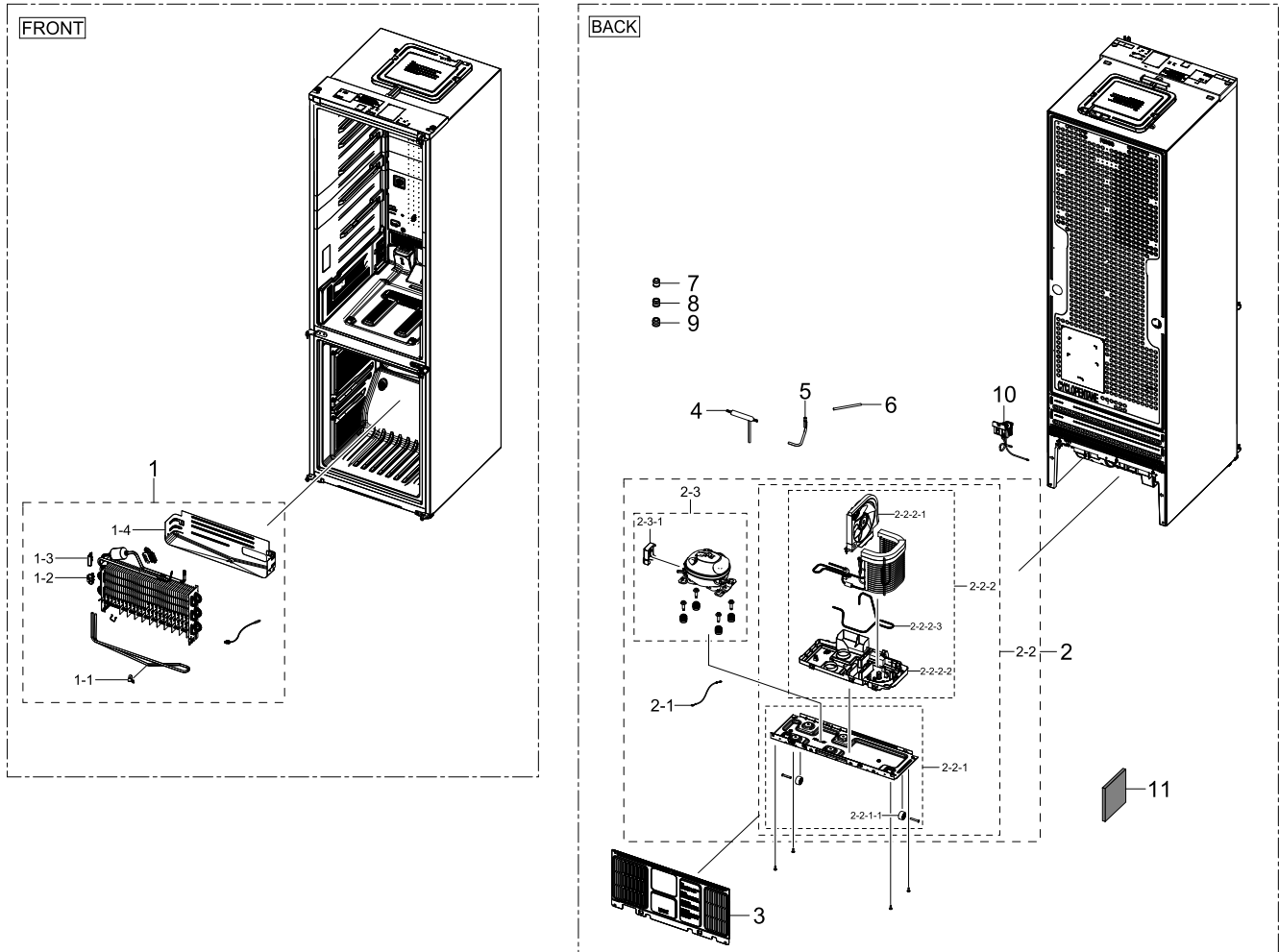
| No.   | Lvl. | Loc.  | Material Code | Description & Specification                  | SNA | Qty. |
|-------|------|-------|---------------|--|-----|------|
| 1     | 2    |       | DA97-21372A   | ASSY COVER PBA-MAIN;<br>RB7300T,GI-SGCC,T0.4 | SA  | 1    |
| 2     | 1    |       | DA94-07200E   | ASSY PCB EEPROM;<br>0x9E,DA92-01625B,D601,3, | SA  | 1    |
| 2-1   | 2    | A0952 | DA92-01625B   | ASSY PCB MAIN; MONO<br>COOLING,RB7300T,160*1 | SNA | 1    |
| 3     | 2    | A0626 | DA97-23190J   | ASSY COVER CONTROL; RB7300,AI Saving         | SA  | 1    |
| 4     | 2    | A1288 | DA97-23981F   | ASSY TOP TABLE; RB7300T(C),WiFi,,Dark<br>Gre | SA  | 1    |
| 4-1   | 3    |       | 4709-003051   | W-LAN MODULE;<br>CCAR210R,SDA8700CSM,IEEE802 | SA  | 1    |
| 4-2   | 3    |       | DA34-00043J   | SWITCH REED; UL1007 AWG 22,50mm              | SA  | 1    |
| 4-3   | 3    |       | DA92-00817A   | ASSY MODULE; BUZZER<br>PBA,RB6000K,Standard  | SA  | 1    |
| 4-4   | 3    |       | DA96-01418H   | ASSY WIRE HARNESS-TOP;<br>RB7300T,INTERNAL,B | SA  | 1    |
| 4-5   | 3    |       | DA97-22073B   | ASSY TOP TABLE-FRONT; RB7300T,DARK<br>GREY   | SA  | 1    |
| 4-5-1 | 4    | A1109 | DA64-06305B   | TOP TABLE; RB7300T,ABS,DARK GRAY             | SA  | 1    |
| 4-5-2 | 4    |       | DA63-09846B   | COVER WIRE-HINGE RIGHT;<br>RB7300T,ABS,T1.2, | SA  | 1    |
| 4-5-3 | 4    |       | DA67-05048B   | CAP HINGE;<br>RB7300T,ABS,T2,HB,HG-0760GP,DA | SA  | 1    |
| 5     | 2    |       | DA97-21173A   | ASSY HINGE-UP; RB7300T,4T,BLACK              | SA  | 1    |
| 6     | 2    |       | DA97-21646A   | ASSY HINGE-MIDDLE;<br>RB7300T,T4.5,BLACK     | SA  | 1    |
| 7     | 2    | M0344 | DA97-21632A   | ASSY HINGE-LOW; RB7300T,T4,BLACK             | SA  | 1    |
| 8     | 2    | Z1128 | DA61-07546B   | LEG-FRONT; GRAND<br>CRU,PP,BLACK,-,P-002HB,R | SA  | 2    |
| 9     | 2    |       | DA91-05341C   | ASSY INSTALL-REVERSIBLE KIT;<br>RB7300T,C GR | SNA | 1    |
| 9-1   | 3    |       | DA63-09847B   | COVER WIRE-HINGE LEFT;<br>RB7300T,ABS,T1.2,H | SA  | 1    |
| 9-2   | 3    |       | DA67-05050B   | CAP SPACE-DOOR RIGHT;<br>RB7300T,ABS,T1.5,HB | SA  | 1    |
| 10    | 2    | A0564 | DA60-10123C   | BOLT-HEX;<br>M6,L24,ZPC(WHT),SWRCH18A,HWH He | SA  | 2    |
| 11    | 2    |       | DA63-09844B   | COVER WIRE-CABI;<br>RB7300T,ABS,T2,HB,DARK G | SA  | 1    |
| 12    | 2    |       | DA67-05095A   | CAP SCREW-A;<br>RB7300T,ABS,T1.5,GP-35,COOL  | SA  | 1    |
| 13    | 2    |       | DA67-04049A   | CAP HINGE-HOLE;<br>BK,ABS,T2,HB,GP-35,SNOW W | SA  | 2    |
| 14    | 2    |       | DA67-03725A   | CAP SCREW; 3050,PP,HB,49MK45,INOX<br>GRAY    | SA  | 1    |

| No. | Lvl. | Loc.  | Material Code | Description & Specification                               | SNA | Qty. |
|-----|------|-------|---------------|---|-----|------|
| 15  | 2    | A0564 | 6011-001546   | BOLT-HEX;<br>M5(P0.8),L16,ZPC(WHT),HWH,+,SWR              | SA  | 2    |
| 16  | 2    | A0273 | 3903-001015   | POWER CORD-AT; H05VV-F<br>3x0.75mm <sup>2</sup> ,BLK,EU3F | SA  | 1    |
| 17  | 2    |       | DA63-08062A   | COVER UNIT; BK,HIPS,HB,INOX<br>GRAY,576H                  | SA  | 1    |

# 4. Cycle

## Cycle

### Exploded View



### Parts List

| No. | Lvl. | Loc.  | Material Code | Description & Specification               | SNA | Qty. |
|-----|------|-------|---------------|---|-----|------|
| 1   | 2    | A0163 | DA96-01009F   | ASSY EVAP-FRE EVAP MODULE; RB7300, 3050,2 | SA  | 1    |
| 1-1 | 3    | M9010 | DA61-03644A   | PLATE-EVAP HEATER; AW-PJT,Al,T0.7         | SA  | 1    |
| 1-2 | 3    | G0205 | DA61-04921B   | FIXER-HEATER FRE; HERMES-PJT,PP,-,NATURAL | SA  | 1    |
| 1-3 | 3    | A0744 | DA61-07411A   | FIXER-FUSE; NW2,PP,NATURAL,BJ750          | SA  | 1    |
| 1-4 | 3    | A0754 | DA61-08936A   | PLATE-DRAIN; 3050,GI-SGCC,T0.3,-,-,-,-    | SA  | 1    |
| 2   | 2    |       | DA97-21454A   | ASSY COMP N CONDENSING-COND MODULE; RB730 | SNA | 1    |
| 2-1 | 3    | A0562 | DA39-20389A   | ASSY WIRE HARNESS-EARTH; EARTH,ALL,FREE V | SA  | 1    |
| 2-2 | 3    |       | DA97-21379A   | ASSY CHASSIS; RB7300T,PFC B, C-FAN        | SNA | 1    |

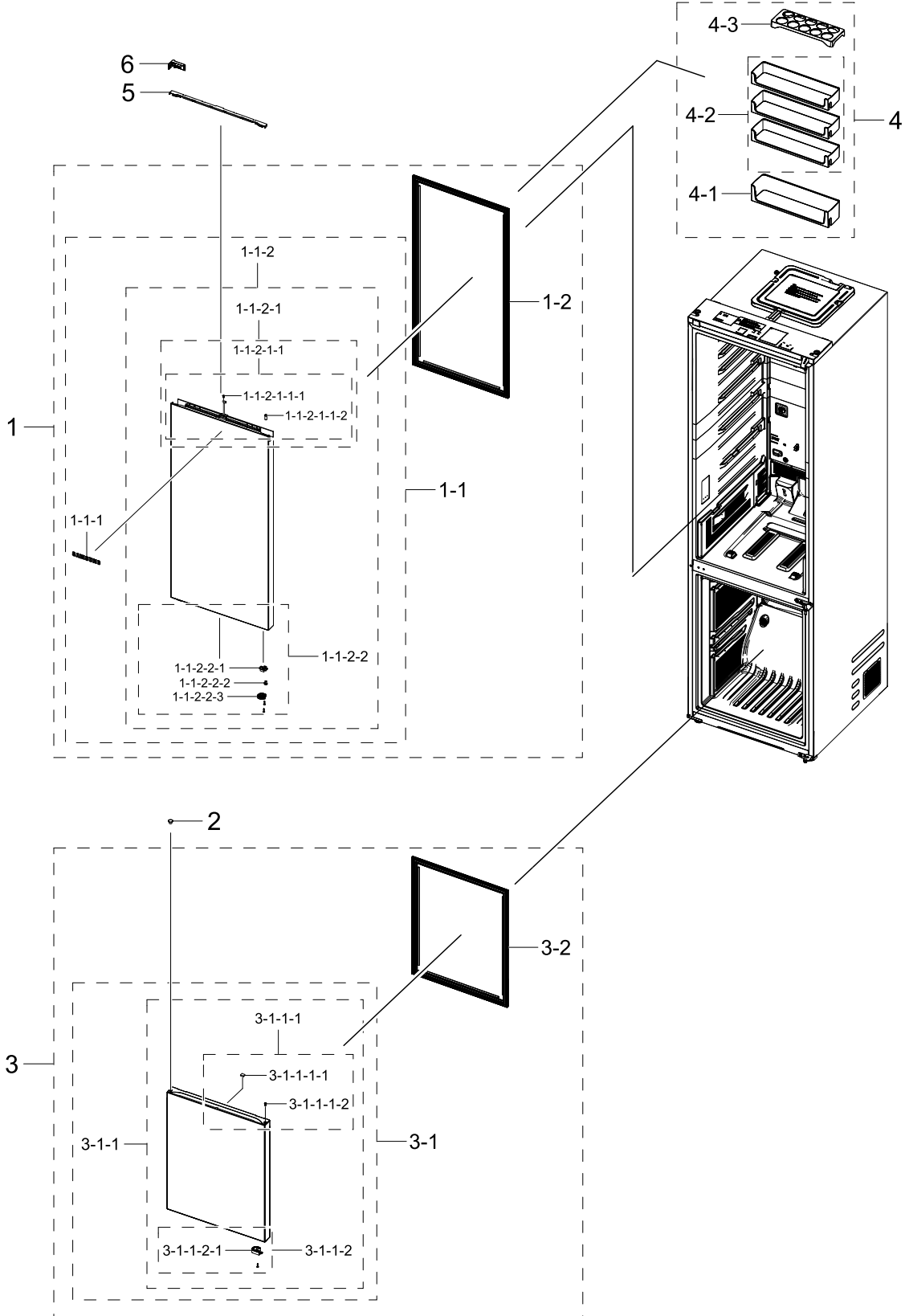


| No.     | Lvl. | Loc.  | Material Code  | Description & Specification                                 | SNA | Qty. |
|---------|------|-------|----------------|---|-----|------|
| 2-2-1   | 4    | A0526 | DA97-21174A    | ASSY CHASSIS COMP;<br>RB7300T,GI-SGCC,T0.8,C                | SA  | 1    |
| 2-2-1-1 | 5    | A0527 | DA61-06202A    | CASTER-REAR;<br>GRAND-CRU,PP,NATURAL                        | SA  | 2    |
| 2-2-2   | 4    | A0529 | DA97-21175A    | ASSY TRAY DRAIN WATER; RB7300T,Fan,<br>PFC-B                | SA  | 1    |
| 2-2-2-1 | 5    | M0116 | DA97-20025B    | ASSY SUPPORT-CIRCUIT MOTOR;<br>RS5000RC,C160                | SA  | 1    |
| 2-2-2-2 | 5    |       | DA97-21381A    | ASSY TRAY DRAIN WATER-SUB;<br>RB7300T                       | SA  | 1    |
| 2-2-2-3 | 5    |       | DA97-21518A    | ASSY PIPE IMMERRING; RB7300T,PIPE<br>IMMERGI                | SA  | 1    |
| 2-3     | 3    |       | NN54T9902AVAK3 | CMP,COMP,REFRIGERATOR,R600A;<br>CMP,COMP,REFRIGERATOR,R600A |     | 1    |
| 2-3-1   | 4    | Z1032 | DA63-09845A    | COVER RELAY;<br>RB7300T,MPPE,T2,V-0,BLACK,N3                | SA  | 1    |
| 3       | 2    | M0076 | DA97-15477F    | ASSY COVER COMP; RB7300T                                    | SA  | 1    |
| 4       | 2    | A0669 | DA62-04309E    | DRYER; C1220T-H,L118,SINGLE<br>MOUTH,For Val                | SA  | 1    |
| 5       | 2    |       | DA62-05500A    | PIPE CONNECT-SUCTION;<br>RB7300T,Cu,OD6.35,T                | SA  | 1    |
| 6       | 2    | A0523 | DA73-10190U    | PIPE-CONNECT DISC,B;<br>ALL,C1220T,Cu,OD6.35                | SA  | 1    |
| 7       | 2    |       | DA60-00279A    | FITTING LOCK RING;<br>SUM23,-,SILVER,-,-,16,                | SA  | 1    |
| 8       | 2    |       | DA60-00280A    | FITTING-LOKRING 33; SUM23,ID3/16,33,<br>11SM                | SA  | 1    |
| 9       | 2    |       | DA60-00281A    | FITTING LOCK SLEEVE;<br>SUM23,ID5.02,11SMnPb                | SA  | 1    |
| 10      | 2    |       | DA97-12843C    | VALVE STEP; DC12V,MODULE,1<br>WAY,RIGHT bend                | SA  | 1    |
| 11      | 2    |       | DA72-60040W    | SEAL-CUTT RUBBER;<br>TD-PJT,RUBBER,T5,W35,L3                | SA  | 1    |

# 5. Door

Door

## Exploded View



## Parts List

| No.         | Lvl. | Loc.  | Material Code | Description & Specification                  | SNA | Qty. |
|-------------|------|-------|---------------|--|-----|------|
| 1           | 2    |       | DA93-01433E   | ASSY DOOR SUB-REF DOOR MODULE;<br>RB7300T (C | SNA | 1    |
| 1-1         | 3    | Z1100 | DA91-06329B   | ASSY DOOR FOAM-REF; RB7300T(C)<br>RB38,B1(BL | SA  | 1    |
| 1-1-1       | 4    | M0196 | DA64-04020C   | MASCOT; ALL,Ni,T0.06,L80                     | SA  | 1    |
| 1-1-2       | 4    |       | DA97-23982F   | ASSY PLATE DOOR-REF;<br>RB7300T(C),WiFi,,RB3 | SNA | 1    |
| 1-1-2-1     | 5    |       | DA97-21210D   | ASSY CAP DOOR-REF UP;<br>RB7300T,DARK GRAY,I | SNA | 1    |
| 1-1-2-1-1   | 6    |       | DA97-21605D   | ASSY CAP DOOR-REF UP;<br>RB7300T,DARK GRAY,I | SNA | 1    |
| 1-1-2-1-1-1 | 7    |       | DA67-02795C   | CAP-SHAFT HOLE;<br>AW3,ABS,HG-0760GP,SNOW WH | SA  | 1    |
| 1-1-2-1-1-2 | 7    |       | DA63-07545A   | GROMMET HINGE-MIDDLE; FOOD<br>SHOWCASE,PA66+ | SA  | 1    |
| 1-1-2-2     | 5    | A0048 | DA97-21211B   | ASSY CAP DOOR-REF LOW;<br>RB7300T,BLACK,RECE | SNA | 1    |
| 1-1-2-2-1   | 6    | A0640 | DA61-14266A   | STOPPER DOOR; RB7300T,<br>METAL,PO-SPHC,T4,A | SA  | 1    |
| 1-1-2-2-2   | 6    |       | DA63-09976A   | GROMMET DOOR-REF;<br>RB7300T,POM,BLACK,-,K30 | SA  | 1    |
| 1-1-2-2-3   | 6    |       | DA66-01480A   | LEVER AUTO CLOSE;<br>RB7300T,POM,T1.8,K300,B | SA  | 1    |
| 1-2         | 3    |       | DA97-23536A   | ASSY GASKET-REF; RB7300T,DARK<br>GRAY,No Sub | SA  | 1    |
| 2           | 2    |       | DA67-04054H   | CAP HINGE;<br>RB7300T,ABS,T1.6,HB,HG-0760GP, | SA  | 1    |
| 3           | 2    |       | DA97-21620A   | ASSY DOOR SUB-FRE DOOR MODULE;<br>RB7300T,RB | SNA | 1    |
| 3-1         | 3    | M0063 | DA91-05332A   | ASSY DOOR FOAM-FRE;<br>RB7300T,B1(BLACK DOI) | SA  | 1    |
| 3-1-1       | 4    |       | DA97-21234H   | ASSY PLATE DOOR-FRE;<br>RB7300T,RECESS,B1(BL | SNA | 1    |
| 3-1-1-1     | 5    |       | DA97-21212B   | ASSY CAP DOOR-FRE UP;<br>RB7300T,DARK GRAY,R | SNA | 1    |
| 3-1-1-1-1   | 6    | A0534 | DA61-03769B   | MAGNET; SVETA,FERRITE,1600Gauss              | SA  | 1    |
| 3-1-1-1-2   | 6    | A0827 | DA63-08059A   | GROMMET HINGE;<br>BK65,60,PA66+GF15%,BLACK,- | SA  | 1    |
| 3-1-1-2     | 5    | A0047 | DA97-21213A   | ASSY CAP DOOR-FRE LOW;<br>RB7300T,BLACK      | SNA | 1    |
| 3-1-1-2-1   | 6    |       | DA66-01445A   | LEVER AUTO CLOSE;<br>RB7300T,POM,T1.8,K300,B | SA  | 1    |
| 3-2         | 3    |       | DA97-23537A   | ASSY GASKET-FRE; RB7300T,DARK<br>GRAY,No Sub | SA  | 1    |

Exploded Views and Parts List

| No. | Lvl. | Loc.  | Material Code | Description & Specification               | SNA | Qty. |
|-----|------|-------|---------------|---|-----|------|
| 4   | 1    | A0166 | DA90-12422A   | ASSY GUARD; RB7300T,RB38/36,TP Gray,REF U | SNA | 1    |
| 4-1 | 2    | A0151 | DA63-09802B   | GUARD-BOTTLE DOOR BIN MODULE; RB7300T,GPP | SA  | 1    |
| 4-2 | 2    | M0447 | DA63-09799B   | GUARD-REF UP DOOR BIN MODULE; RB7300T,GPP | SA  | 3    |
| 4-3 | 2    | A0656 | DA63-06221A   | TRAY EGG; RF9000A,GPPS,T2.5,TP BLUE       | SA  | 1    |
| 5   | 2    |       | DA63-09843B   | COVER WIRE-DOOR; RB7300T,ABS,T2,HB,DARK G | SA  | 1    |
| 6   | 2    |       | DA67-05049B   | CAP SPACE-DOOR LEFT; RB7300T,ABS,T1.5,HB, | SA  | 1    |