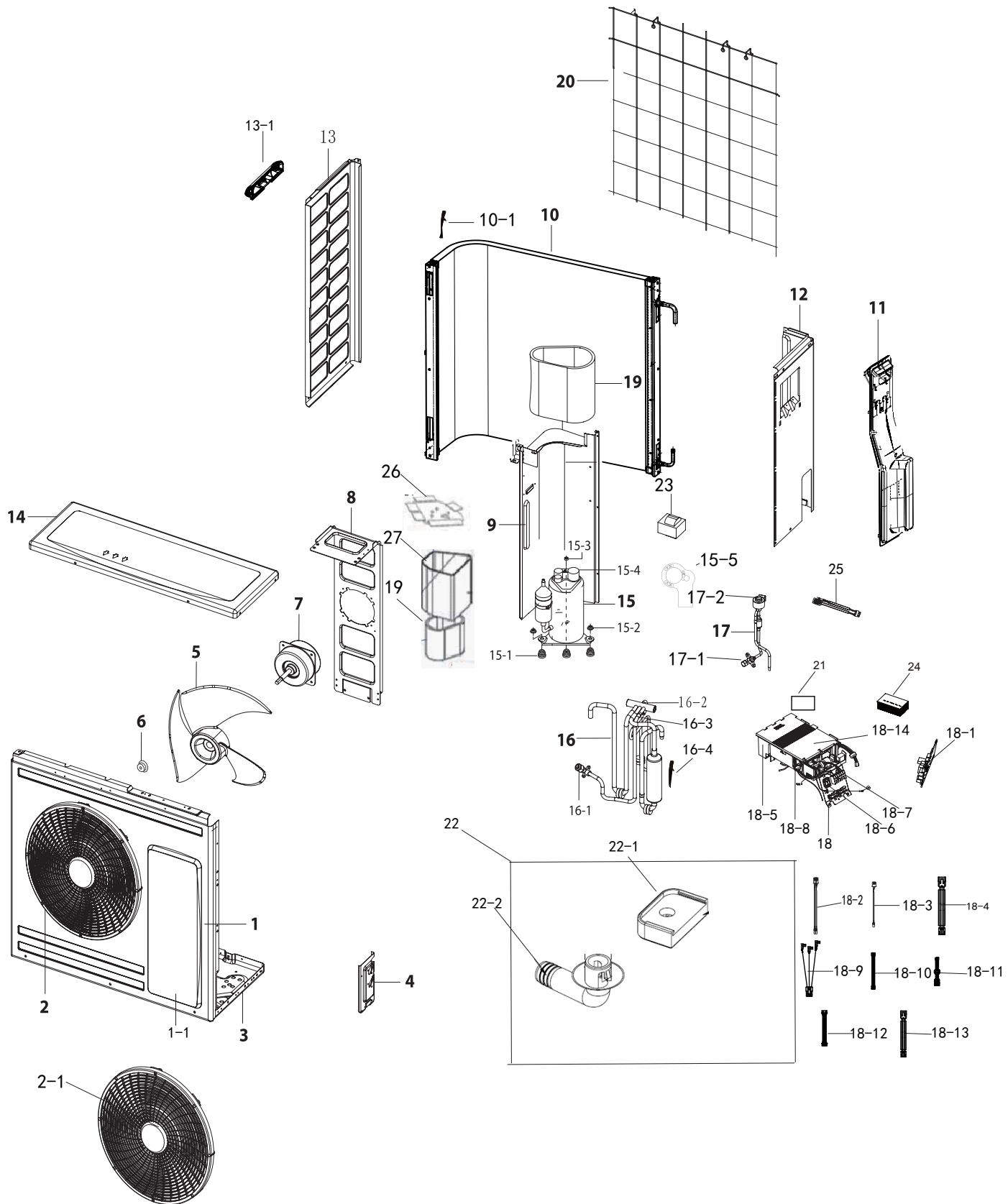


OUTDOOR UNIT

AR24NSFHBWKXEU



No.	Parts Code	Parts Name	Description	Q'ty	Service
				AR24NSFHBWKXEU	
1	DB90-09697C	ASSY CABI FRONT	AR24NSFPEWQXEU,SSEC	1	SA
1-1	DB64-03201C	LOGO	DVM,PVC,T0.1,300,286C,transparent P	1	SNA
2	DB63-03744A	GUARD FAN	PP,T2.5,EARTH BROWN	1	SA
3	DB90-10990A	ASSY BASE OUT	AR24NSFPEWQXEU,SSEC	1	SA
4	DB61-05432B	BRACKET-VALVE PAINTING	P/Q,GI-SGCC,1.5,1	1	SA
5	DB94-06687A	ASSY FAN PROPELLER	AC071MXADKH/EU,ASSY	1	SA
6	DB60-00405A	FASTENER-WASHER	RC100ZXHEA,SWRCH10A,M8	1	SA
7	DB31-00658D	MOTOR BLDC FAN	310V,125W	1	SA
8	DB90-11019A	ASSY BRACKET MOTOR	AR24NSFPEWQXEU,SSEC	1	SA
9	DB94-07275A	ASSY PARTITION	AR24NSFPEWQXMG,SSEC,ASSY,	1	SA
10	DB96-18249C	ASSY COND SUB	KOREA S-INV,recycle	1	SA
10-1	DB81-00635A	SPRING ETC-SENSOR	DVM-SYSTEM,STS304,R2.5	1	SA
11	DB90-07459E	ASSY COVER-VALVE	AR18FSFTJWQXEU,SSEC,ASS	1	SA
12	DB90-10992A	ASSY CABI SIDE-RH	AR24NSFPEWQXEU,SSEC	1	SA
13	DB90-10991A	ASSY CABI SIDE-LF	AR24NSFPEWQXEU,SSEC	1	SA
13-1	DB64-00967B	HANDLE-OUTDOOR	FAC,ABS,-,EARTH BROWN	1	SA
14	DB90-07183M	ASSY CABI TOP	AR24NSFPEWQXEU,SSEC	1	SA
15	UG9TK2150FE4SS	RCP,COMP,RCP,F,R410A	RCP,COMP,RCP,F,R410A	1	SA
15-1	DB63-03386A	GROMMET ISOLATOR	NR,33,11.5,34,BLACK	3	SA
15-2	DB60-30028A	NUT-FLANGE	HWH,M8,ZPC(WHT),SWRCH18A,P1.2	3	SA
15-3	6021-001142	NUT-HEXAGON FLANGE	M5,ZPC(WHT),SWRCH10A,	1	SA
15-4	DB63-02310A	COVER TERMINAL	SABIC N1250,2.5,-,BLACK,N	1	SA
15-5	DB63-00817B	GASKET	A/C model,SIR,T0.8,26.0,L80,A/C m	1	SA
16	DB96-24049E	ASSY TUBE 4WAY	AR24NSFPEWQXEU,N-Q	1	SA
16-1	DB62-02342A	VALVE SERVICE-SPINDLE	.5/8"	1	SA
16-2	DB62-06847A	VALVE 4WAY	BRASS,2HP,COMMON	1	SNA
16-3	DB95-01612D	ASSY-SOLENOID	RAC,SSEC	1	SA
16-4	DB81-00635A	SPRING ETC-SENSOR	DVM-SYSTEM,STS304,R2.5	1	SA
17	DB96-18246C	ASSY TUBE EEV	AR18MSFPEWQXEU,SSEC	1	SA
17-1	DB62-02283A	VALVE SERVICE-SPINDLE	.1/4",R410A, FLAR	1	SA
17-2	DB62-12124A	VALVE EXPAN	1.65,500	1	SA
18	DB92-04084D	ASSY KIT	OUTDOOR,PF3_17S,Q480,EU,Standar	1	SNA
18-1	DB92-04029D	ASSY PCB MAIN	MAIN,RAC_OUT_MAIN,142X48.5	1	SA
18-2	DB93-09495N	ASSY CONNECTOR WIRE	2,1015,14,BRN,175022	1	SA
18-3	DB93-12121B	ASSY CONNECTOR WIRE-EARTH WIRE	1,1015,18	2	SA
18-4	DB93-16402A	ASSY CONNECTOR WIRE-COMM	2,1007,22,RED,Y	1	SA
18-5	DB61-05917A	CASE CONTROL	ABS,GRAY,VE-0858	1	SA
18-6	DB65-00274A	TERMINAL BLOCK	TERMINAL BLOCK,Polycarbon	1	SA
18-7	DB65-00298B	TERMINAL BLOCK	11R RAC-INVERTER,P,B.T +	1	SA
18-8	DB92-04027B	ASSY PCB INVERTER	INVERTER,PF3_17S,160mm	1	SA
18-9	DB93-11244B	ASSY CONNECTOR WIRE	3,1331,14,BLU,MG6150	1	SA
18-10	DB93-15320A	ASSY CONNECTOR WIRE-REACTOR	2,1015,16,WH	1	SA
18-11	DB93-10988E	ASSY CONNECTOR WIRE	3,1015,14,RED,MG6250	1	SA
18-12	DB93-07452B	ASSY CONNECTOR WIRE-DC SIGNAL	8,1007,26,	1	SA
18-13	DB93-16403A	ASSY CONNECTOR WIRE-AC SIGNAL	2,1015,18,	1	SA
18-14	DB90-10861A	ASSY CASE CONTROL-UP	Q OUTDOOR,INV	1	SA
19	DB63-02344A	FELT-COMP SIDE	-,FELT/PVC,T10+T1.6,265,6	1	SA
20	DB63-03402A	GUARD-COND BAR	VIVACE,Q195,2.5,EARTH BRO	1	SA
21	DB82-03725D	A/S ASSY-EEPROM OUT	AR24NSFPEWQXEU,PF3_	1	SA
22	DB97-02066C	ASSY ACCESSORY	HP,NO,18000,NO,-,N,SH18AW	1	SA
22-1	DB67-01533A	RUBBER-LEG	All frame,NR,BLACK	4	SNA
22-2	DB67-20011A	DRAIN-PLUG OUT	ASH-1814ER,PP,NATURAL	1	SA
23	DB27-00043C	COIL HARMONIC	5mH,124.5*85.8*73,20A,Scre	1	SA
24	DC62-00243C	HEAT SINK	HUDSON,AI,W11,L15,WHITE,H26	1	SA
25	DB32-00257A	SENSOR TEMP	103AT,L700,10kohm	1	SA
26	DB63-03458A	FELT-COMP TOP OUT	RAC,FELT/PVC,T5+T1.6	1	SNA
27	DB63-02522A	FELT-COMP SOUND B	Q,FELT/PVC,T5(FELT)+T1	1	SNA