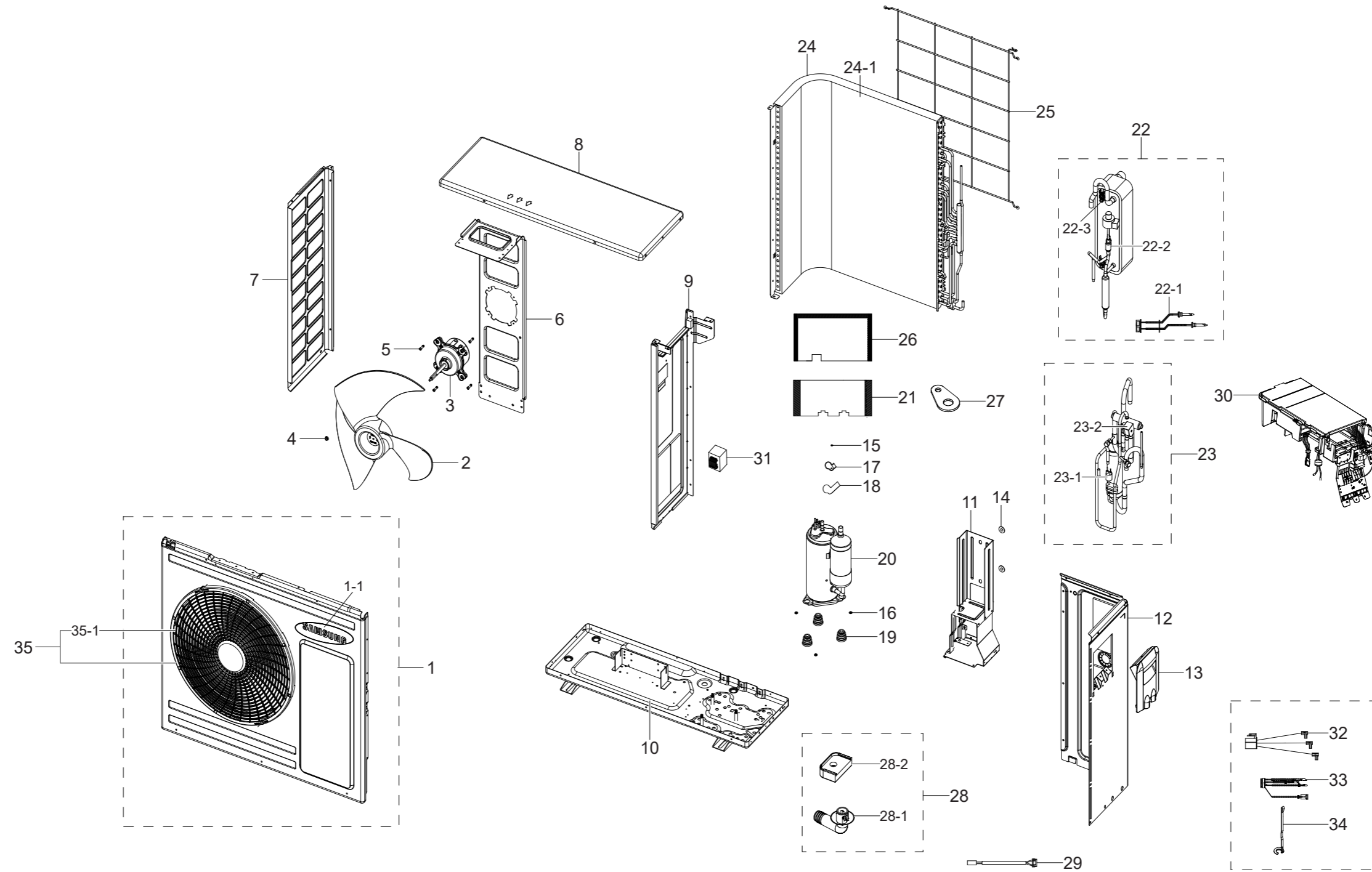


# Exploded Views and Parts List

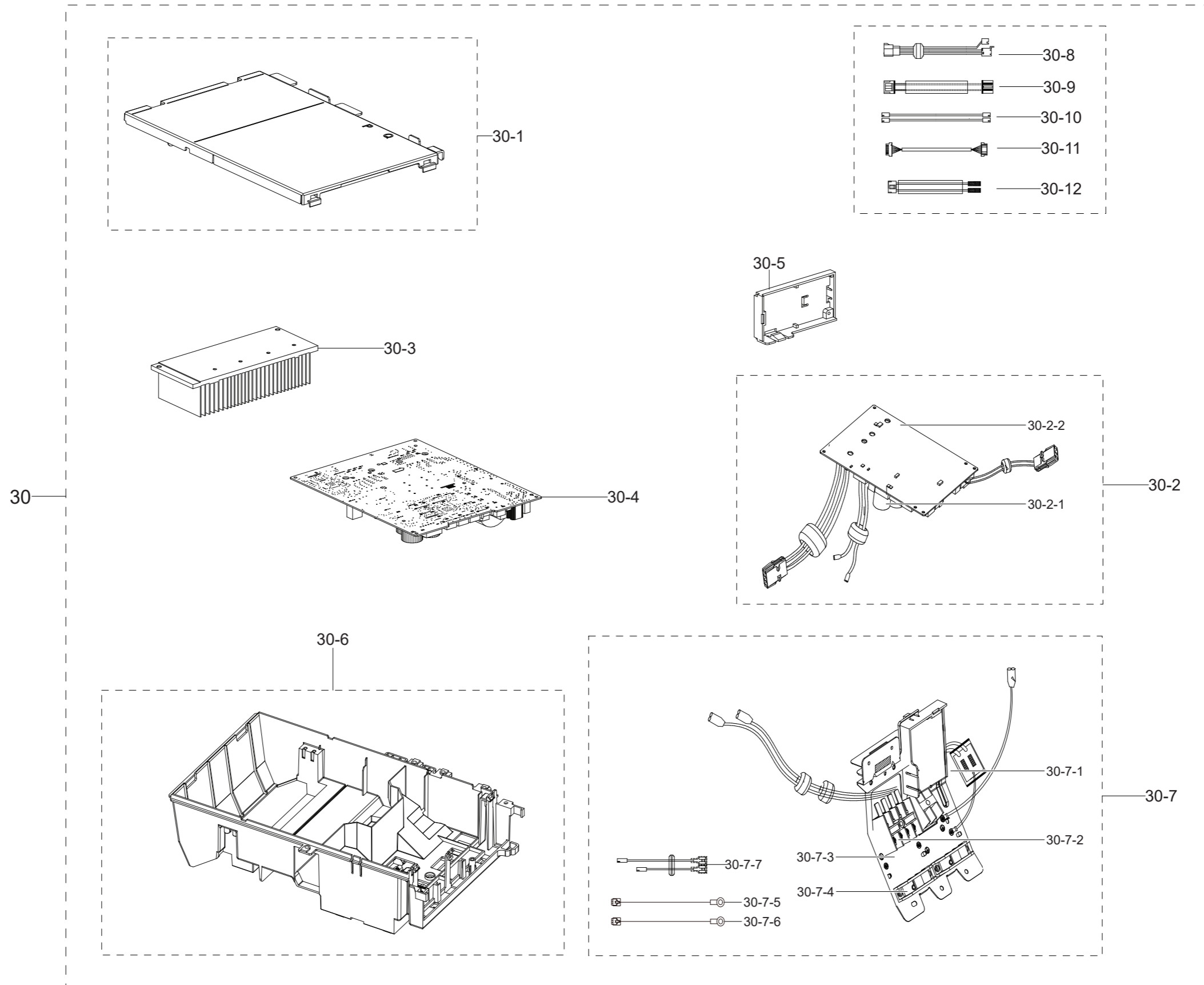
Ver.01

■ AE050RXYDEG/EU



## Parts List

No.	Material Code	Description	Specification	SA/SNA	Q'TY
1	DB90-07186M	ASSY CABI FRONT	AQV24VBEXXAZ,SSEC	SA	1
1-1	DB64-03201B	LOGO	Outdoor Unit,PVC,T0.1,200,286C,tran	SA	1
2	DB67-00861A	FAN PROPELLER	-,SAN+GF20%,OD460,-,T3.5,-,-	SA	1
3	DB31-00611D	MOTOR BLOWER	YMAP095AC01A1,95W,DC310V	SA	1
4	DB60-00437A	FASTENER-NUT FLANGE	SWRCH10A,14,1.2,6	SA	1
5	6011-001449	BOLT-FLANGE	M5,L25(10),ZPC,SWRCH18A,+,SERATION	SNA	4
6	DB90-04194D	ASSY BRACKET MOTOR	KFRD-72W/MSD,FAC,SSEC	SA	1
7	DB90-07136H	ASSY CABI SIDE-LF	AE050JXYDEH/DF	SA	1
8	DB90-07183J	ASSY CABINET-UP	MH080FXEA4A,SSEC	SA	1
9	DB94-05803C	ASSY PARTITION	EHS OEM	SA	1
10	DB90-07134H	ASSY BASE OUT-TOTAL	AQV24PSBX,FAC,SSEC	SA	1
11	DB90-09080A	ASSY BRACKET PHE	AE050JXYDEH/EU	SA	1
12	DB90-09081A	ASSY CABI SIDE-RH	AE050JXYDEH/EU	SA	1
13	DB90-07179K	ASSY COVER CONTROL	AR18TSFACWKXCVC,QMD	SA	1
14	DB60-30028A	NUT-FLANGE	HWH,M8,ZPC(WHT),SWRCH18A,P1.25/Washer Type(WP)	SA	2
15	6021-001142	NUT-HEXAGON FLANGE	M5,ZPC(WHT),SWRCH10A,SERRATION	SA	1
16	DB60-30028A	NUT-FLANGE	HWH,M8,ZPC(WHT),SWRCH18A,P1.25/Washer Type(WP)	SA	3
17	DB63-01416C	GASKET	A/C model,SIR,T1.2,25.0,L55,A/C model use	SA	1
18	DB63-02312A	COVER TERMINAL	39F,44F,48F,SABICN1250,2.5,BLACK,30.0	SA	1
19	DB63-02296A	GROMMET ISOLATOR	44F,NR,L32.5,ID11.5,OD34.0,BLACK	SNA	3
20	UB4TN8200FE4	RCP,COMP,RCP,F,R32		SA	1
21	DB63-02868B	FELT-COMP SIDE	RC071DHXEA,FELT/PVC,T5+T1.6,280,575	SA	1
22	DB96-24721A	ASSY TUBE WATER	AE050RXYDEG/EU,ASSY TUBE WATER	SA	1
22-1	DB32-00216A	SENSOR TEMP	103AT,WATER_INOUT,700	SA	1
22-2	DB96-24718A	ASSY TUBE EEV	AE050RXYDEG/EU,ASSY TUBE EEV	SA	1
22-3	DB65-00323A	BRACKET	RC090MHXEA,STS304,T0.8,W15,-,-,-	SA	2
23	DB96-24720A	ASSY TUBE 4WAY-VALVE	AE050RXYDEG/EU,ASSY TUBE 4WAY-VALAVE	SA	1
23-1	DB96-24632B	ASSY SWITCH PRESSURE	HP,EHS TANK,ASSY	SNA	1
23-2	DB96-06998F	ASSY-SOLENOID COIL	WW3,SSEC	SA	1
24	DB96-21632A	ASSY COND BENDING	AE050JXYDEH/EU	SA	1
24-1	DB96-21648A	ASSY COND SUB	AE050JXYDEH/EU	SA	1
25	DB63-03723A	GUARD COND	AE050JXYDEH/EU,MSWR	SNA	1
26	DB63-03052A	FELT-COMP SOUND	RC071DHXEA,FELT/PVC,T5+T2	SA	1
27	DB63-03238A	FELT-TOP COVER A	FJM,FELT/PVC,T5+T1.6+T5	SNA	1
28	DB97-02066C	ASSY ACCESSORY	HP,NO,18000,NO,-,N,SH18AW6X,SSEC	SA	1
28-1	DB67-20011A	DRAIN-PLUG OUT	ASH-1814ER,PP,NATURAL	SA	1
28-2	DB67-01533A	RUBBER-LEG	All frame,NR,BLACK	SA	4
29	DB32-00215A	SENSOR TEMP	103AT,EVA_IN,800	SA	1
30	DB92-04737A	ASSY PBA KIT-OUT MOD- ULE	OUTDOOR,EHS MONO	SNA	1
31	DB27-00100A	COIL HARMONIC	5mH,76.8x75.2xTmm,20A,-	SA	1
32	DB93-11274B	ASSY CONNECTOR WIRE- COMP OUT	3,3343,14,RED,ST730269-3,ST730190-2,-,540,PVC TUBE/105°C/9,450,-,-,PBA_COMP OUT,11 VENICE-PJT,11 VENICE-PJT,COMP,P,AWG1	SA	1
33	DB95-05268A	ASSY THERMISTOR OUT	103AT,AC,200,10	SA	1
34	DB81-00635A	SPRING ETC-SENSOR	DVM-SYSTEM,STS304,R2.5,R4.5,44,0.3,2.0,NONE	SA	3
35	DB90-07157A	ASSY-GUARD FAN	XSA HI-EER,SSEC	SC	1
35-1	DB63-03658A	GUARD FAN	PP,EARTH BROWN	SA	1



## Parts List

No.	Material Code	Description	Specification	SA/SNA	Q'TY
30	DB92-04737A	ASSY PBA KIT-OUT MOD- ULE	OUTDOOR,EHS MONO	SNA	1
30-1	DB63-02817B	COVER CONTROL	AJ068TXJ3KH/EA,ABS,T2.3,W3	SNA	1
30-2	DB92-04624C	ASSY PCB MAIN	MAIN,EHS TANK R32,180*80,N,4KW/5KW/6KW,Q/P chassis,STANDARD	SA	1
30-2-1	3501-001268	RELAY-POWER	12V,0.9W,25000mA,1FormA,20ms,10ms	SA	1
30-2-2	DB93-12483A	ASSY PCB SUB-EEPROM	SUB,DVMPLUS4 UP,20*25,-,-,-,SUB_-DVM PLUS4UP,DVM WATER[E_92KA_112],STANDARD	SA	1
30-3	DB62-12477A	HEAT SINK	INV PF3,Al,T5,W195,L95,SILVER,H45	SNA	1
30-4	DB92-04027B	ASSY PCB INVERTER	INVERTER,PF3_17S,160mmX242mm,Y,220V-240V,5 V,12V,15V,485COMM,OUTDOOR,SAFETY,STANDARD	SA	1
30-5	DB61-07235A	CASE PCB	NEW #3 CONTROLLER,ABS,T2,L185.3	SA	1
30-6	DB61-07236B	CASE CONTROL	NEW #3 CONTROLLER,ABS,T2,L3	SNA	1
30-7	DB93-17074A	ASSY CONTROL OUT	HP,Inv,5KW,Out,AE050RXYDEG,EHS MONO	SNA	1
30-7-1	DB65-00274A	TERMINAL BLOCK	TERMINAL BLOCK,Polycarbonate, PhenoI,AC300V,20A,-,-,-,-,-,TAB-SCREW,B_Type	SA	1
30-7-2	DB37-00027B	TERMINAL BLOCK	JXW-2-A,MELAMINE,300V,25A	SA	1
30-7-3	DB61-07234B	PLATE CONTROL	EHS TANK,GI-SGCC,T0.6,NATURAL	SNA	1
30-7-4	DB61-00250A	HOLDER-WIRE CLAMP	AF25M9970DBX,PA,BLACK,V-0,FR50	SNA	1
30-7-5	DB93-10906A	ASSY CONNECTOR WIRE- EARTH	1,1015,18,YEL/GRN,ST730711-3,ST710095-3,-,150,-,- ,TR19-13-11/G8A,2,PBA-PLATE,CAC	SA	1
30-7-6	DB93-10906B	ASSY CONNECTOR WIRE- EARTH	1,1015,18,YEL/GRN,ST730711-3,ST710095-3,-,280,-,- ,,-,,-,PBA-EARTH,FAC OUTDOOR	SA	1
30-7-7	DB93-16973A	ASSY CONNECTOR WIRE- POWER	2,1015,14,BRN,175022-1,MG630591R/WHT,-,300,-,- ,TR36-23-15/G8A,11,PBA-T/B,AC072RX4PBH3	SA	1
30-8	DB93-10905B	ASSY CONNECTOR WIRE- COMP	3,1015,14,RED,MG624757/WHT,MG630591R/ WHT,MG635387/WHT,385,-,-,TR36-23-15_G8A_ Gray,TR36-23-15_G8A_Gray,PBA-COMP,AF-H900K,	SA	1
30-9	DB93-16974A	ASSY CONNECTOR WIRE- POWER	2,1015,18,BRN,YH396-03VR/BLK,YH396-03VR/ WHT,-,200,PVC/VW-1/8PI/BLK,150,-,-,PBA- PBA,AC072RX4PBH3	SA	1
30-10	DB93-15320A	ASSY CONNECTOR WIRE- REACTOR	2,1015,16,WHT,MG630591R/WHT,MG630591R/WHT,- ,350,-,-,-,PBA-REACTOR,AR5000	SA	1
30-11	DB93-17033A	ASSY CONNECTOR WIRE- DC SIGNAL	8,2095,26,	SA	1
30-12	DB93-16402A	ASSY CONNECTOR WIRE- COMM	2,1007,22,RED,Y	SA	1