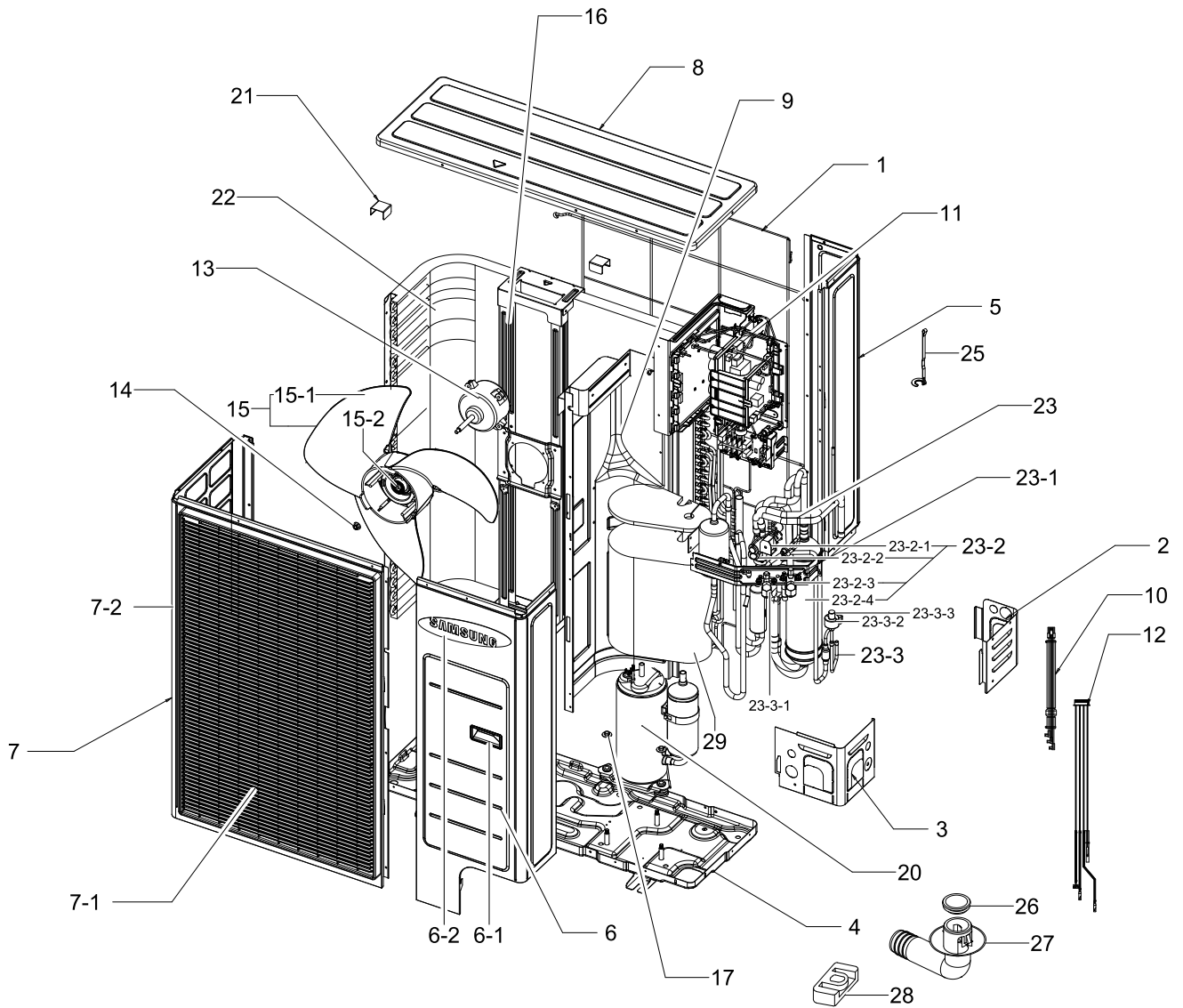


# 1. OUT DOOR

## Exploded View



## Parts List

No.	Lvl.	Loc.	Material Code	Description & Specification	SNA	Qty.
1	2		DB63-02730C	GUARD COND; RC100ZHXE,MSWR-SWRM,744.5,85	SA	1
2	2		DB64-02525C	CABINET-INSTALL BACK; RC160MHXE,EGI-SECC	SA	1
3	2		DB64-02526C	CABINET-INSTALL FRONT; RC100PHXE,EGI-SEC	SA	1
4	2	A0092	DB90-05873B	ASSY BASE OUT; MAN-U,SEAL-ADD	SA	1
5	2	A2609	DB90-05903C	ASSY CABI BACK-RH; RC100DHXGA,ManU	SA	1
6	2	A2608	DB90-05904D	ASSY CABI FRONT-RH; RC100DHXGA,ManU	SA	1

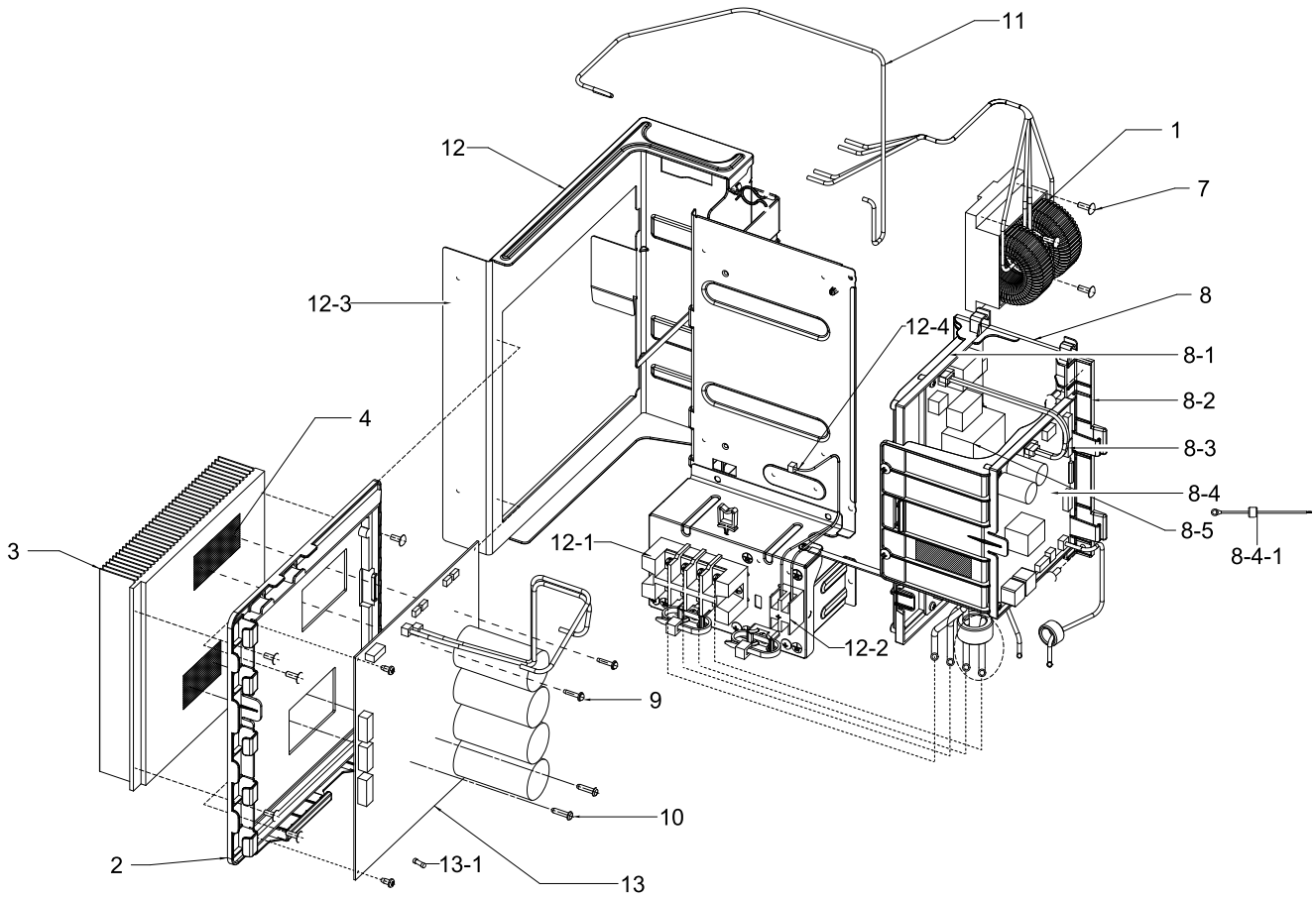
Exploded Views and Parts List

No.	Lvl.	Loc.	Material Code	Description & Specification	SNA	Qty.
6-1	3		DB64-02613B	HANDLE; RC140PHXEA,PP,T2.5,EARTH BROWN,HE	SA	1
6-2	3	L0084	DB98-08770L	ASSY-LOGO SAMSUNG; HP,PANTONE286C,270,QUE	SA	1
7	2	A2620	DB90-05971C	ASSY CABI FRONT-LF; RC100DHXGA,ManU	SA	1
7-1	3		DB63-02728B	GUARD-FAN; RC140PHXEA,PP,GY0180(EARTH BRO	SA	1
7-2	3		DB64-02536B	CABINET FRONT-LF; RC100ZHXE,EGI-SECC,T0.	SA	1
8	2	A0212	DB90-05902E	ASSY CABINET-TOP; RC090MHXEA,EHS MONO	SA	1
9	2	A1748	DB94-02720C	ASSY PARTITION; RC100DHXB1,GLOBAL 4WAY	SA	1
10	2	A0630	DB93-08235E	ASSY CONNECTOR WIRE-COMP; RC100DHXEA, UB1	SA	1
11	2	A3096	DB93-11292G	ASSY CONTROL OUT; HP,INV,9~10kW,220V,R410	SNA	1
12	2		DB95-04871A	ASSY THERMISTOR OUT-SUB OUT; DVM MINI,MAI	SA	1
13	2	M0039	DB31-00579A	MOTOR FAN; DAO335130ZRC/SEC,130W,900RPM,D	SA	1
14	2		DB60-00405A	FASTENER-WASHER; RC100ZHXE,SWRCH10A,M8,2	SA	1
15	2		DB94-03277B	ASSY FAN-PROPELLER; MAN-U,520 PI, NATURAL	SC	1
15-1	3	F0010	DB67-01061B	FAN-PROPELLER; MAN-U,PP-GF20-PD20,OD520,3	SA	1
15-2	3		DB94-02525A	ASSY FAN-BOSS; MAN-U,RUBBER BOSS	SNA	1
16	2	A2803	DB90-05918B	ASSY BRACKET MOTOR; RC100DHXEA,R410A	SA	1
17	2	S0018	DB60-30028A	NUT-FLANGE; HWH,M8,ZPC(WHT),SWRCH18A,P1.2	SA	3
20	2		UG8T300FUBJUSG	RCP,48,F,R410A; RCP,48,F,R410A		1
21	2		DB90-02316E	ASSY HOLDER-PLATE COND; RC100PHXEA,ManU	SNA	2
22	2	A0590	DB96-15469A	ASSY COND OUT; RC100DHXEA,INV	SA	1
23	2		DB96-15476C	ASSY-VALVE; HP,INV,10KW,220V,R410A,ROTARY	SNA	1
23-1	3		DB90-05874C	ASSY BRACKET-VALVE; RC100DHXEA,T1.2, UB	SA	1
23-2	3	A0416	DB96-14880B	ASSY-VALVE 4WAY; RC100DHXEA,R410A	SA	1
23-2-1	4	S0247	DB33-00002J	SOLENOID-COIL ASSY; RC100PHXEA,220~240,50	SA	1
23-2-2	4	V0010	DB62-02838A	VALVE-4WAY; UH105GZMC,,3.5HP, COMMON	SA	1
23-2-3	4	Z0161	DB62-09658A	VALVE SERVICE-SPINDLE; ,,5/8",R410A, FLAR	SA	1
23-2-4	4	A0316	DB96-14716A	ASSY-ACCUMULATOR; RC100PHXEA,1600CC	SA	1

No.	Lvl.	Loc.	Material Code	Description & Specification	SNA	Qty.
23-3	3		DB96-14885A	ASSY-TUBE EEV; 450 COMP,RC100DHXEA,R410A	SA	1
23-3-1	4	Z0163	DB62-09654A	VALVE SERVICE; 3/8",C3771,K-Type,4.2MPa,R	SA	1
23-3-2	4	V0001	DB62-04067A	VALVE-COIL EXPAN; .,1000,DC12V	SA	1
23-3-3	4	V0001	DB62-04267A	VALVE EXPAN; SUS,500,1.8	SA	1
25	2	S0242	DB81-00635A	SPRING ETC-SENSOR; DVM-SYSTEM,STS304,R2.5	SA	2
26	3	Z0165	DB63-10355C	CAP-DRAIN; RUBBER,T2,BLK,ASH-1814ER	SA	3
27	3	D0116	DB67-00806A	DRAIN-PLUG OUT; UH140GAV,PE,1,WHITE,INVER	SA	1
28	3	Z0166	DB73-20134A	RUBBER-LEG; NBR,BLACK	SA	4
29	2		DB63-03165A	CLOTH-COMP SIDE; FELT+EVAR,T11.5,GRAY	SNA	1

## 2. ASSY CONTROL OUT

### Exploded View



### Parts List

No.	Lvl.	Loc.	Material Code	Description & Specification	SNA	Qty.
1	3	Z0157	DB59-00016A	AC REACTOR-1PHASE 30A; RC100PHXEA	SA	1
2	3		DB61-04504B	CASE-INV; RC100ZH XEA,ABS,235.5,247.3,NTR,	SA	1
3	3		DB62-10902A	HEAT SINK-1PHASE 30A; FJM,AL,10mm,200,200	SA	1
4	3		0205-000178	GREASE-SILICON; YG1111,BAIER(NTR)	SA	0
7	3	S0025	6002-000231	SCREW-TAPPING; TH,+,NO,2S,M4,L12,ZPC(WHT)	SNA	5
8	3		DB90-06115A	ASSY CASE-PCB; RC100PHXEA,INV	SNA	1
8-1	4		DB61-04502D	CASE-EMI; RC090MH XEA,HIPS,115,254,NAT,NC0	SA	1
8-2	4		DB61-04503B	CASE-MAIN; GLOBAL 4W-CST,HIPS,142,191.8,N	SA	1
8-3	4	Z0154	DB93-10809A	ASSY CONNECTOR WIRE-EMI TO MAIN POWER; R	SA	1

No.	Lvl.	Loc.	Material Code	Description & Specification	SNA	Qty.
8-4	4	A0743	DB93-11109A	ASSY PCB MAIN-OUT; GLOBAL-4WAY OUTDOOR,In	SA	1
8-4-1	6	A0646	DB93-05379G	ASSY CONNECTOR WIRE-EARTH; RC140RHXEА	SA	1
8-5	4	A1781	DB93-11110A	ASSY PCB SUB-EMI; GLOBAL-4WAY OUTDOOR,Inv	SA	1
9	3	A2876	DB91-00306A	ASSY-SCREW MACHINE; BLDC INV. CONTROLLER,	SA	2
10	3	A2876	DB91-00307A	ASSY-SCREW MACHINE; WW-INV,M4*16,WSP,PH,+	SA	2
11	3	Z0158	DB93-10807A	ASSY CONNECTOR WIRE-MAIN TO INVERTER COM; ASSY CONNECTOR WIRE-MAIN TO INVERTER COM	SA	1
12	3		DB93-10966F	ASSY CONTROL OUT-PLATE; HP,INV,11KW,R410,	SA	1
12-1	3		DB65-00296A	TERMINAL BLOCK-POWER 4P; RC140DHXEА,PC/PB	SA	1
12-2	4		DB65-00297A	TERMINAL BLOCK-COMM 2P; RC140DHXEА,PC,2-T	SA	1
12-3	4		DB90-05889A	ASSY CASE CONTROL OUT; RC100PHXEА,ManU	SNA	1
12-4	4	A2934	DB93-10808A	ASSY CONNECTOR WIRE-COMM; RC140RHXEА	SA	1
13	3	A2573	DB93-11112E	ASSY PCB MAIN-INVERTER; RC100DHXEА, RC100	SA	1
13-1	5	F0178	3601-000263	FUSE-CARTRIDGE; 250V,3.15A, TIME-LAG, GLASS	SNA	1