

1. WW90TA046AX/EC

WW90TA046AX/EC

EXPLODED VIEWS AND PARTS LIST

[MATERIAL CODE STANDARDS]

Material codes and names and their respective naming rules are managed in accordance with the prescribed standards. Please refer to these standards when requesting a material.

1. Material Code Type

● : Number

■ : Letter (Alphabet)

Type 1	●●●●●-●●●●● ex) 0204-000418 FREON	Enterprise-wide parts Type 1 materials can be used for all Samsung Electronics products. (Most electrical parts belong to this type.)
Type 2	■■●●●-●●●●●■ ex) DC96-01390A ASSY-CONTROL	Division-wide parts (DC**-Washing machine) Type 2 materials can be used for specific products. (Most instruments and tools belong to this type.)

2. Ass'y Materials

All ass'y material codes start with DC9*.

An ass'y material is created by combining more than two materials. If a requested material cannot be provided, you can request an ass'y material that contains that material.

3. For information about purchasing parts and tool, please visit <http://www.samsung.com/support>

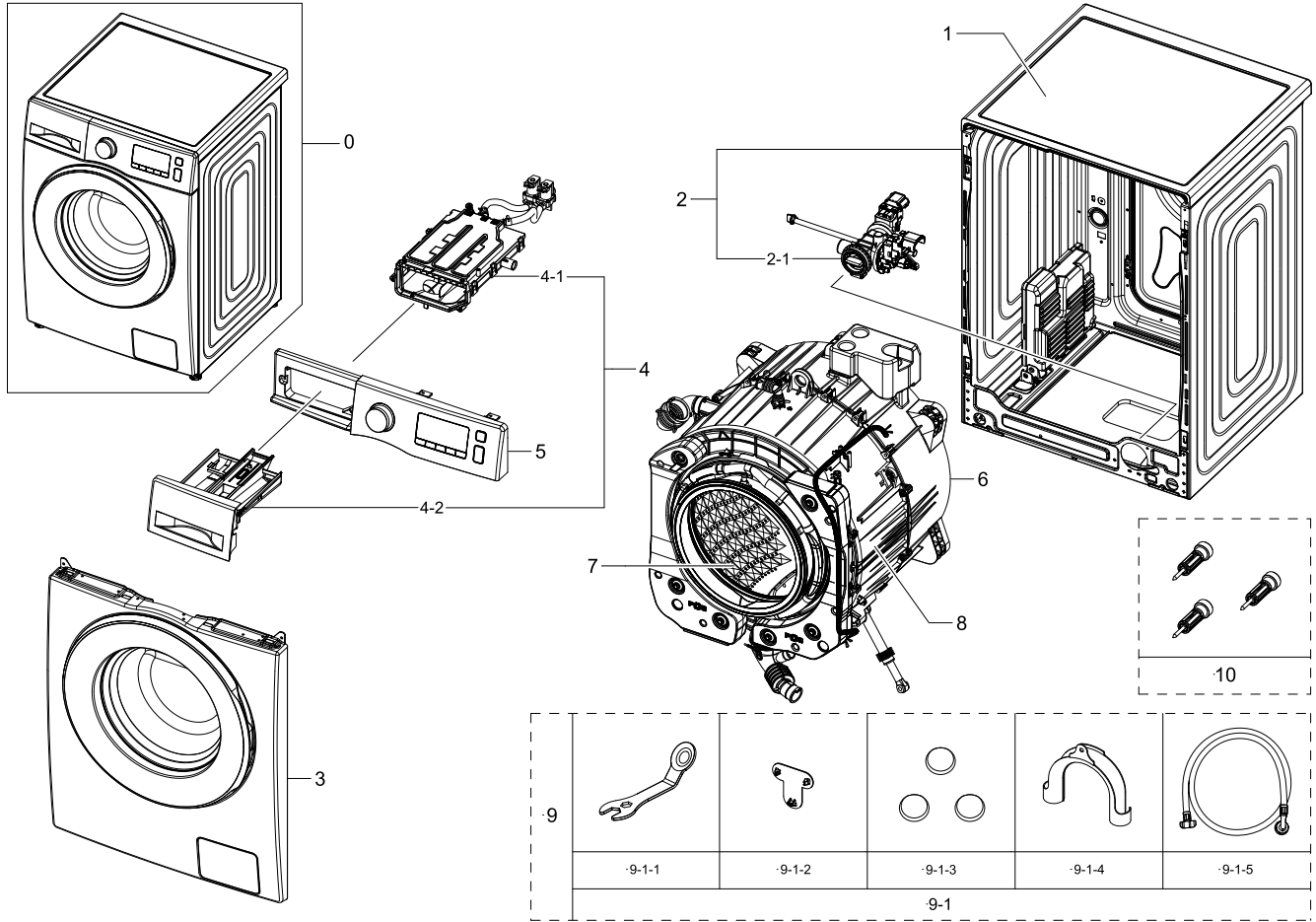
4. The part that is assigned as SA (service available) will be able to purchase.

The part that is assigned as SNA (service not available) will not supply, in result, not available in the market.

2. Main

Main

Exploded View



Parts List

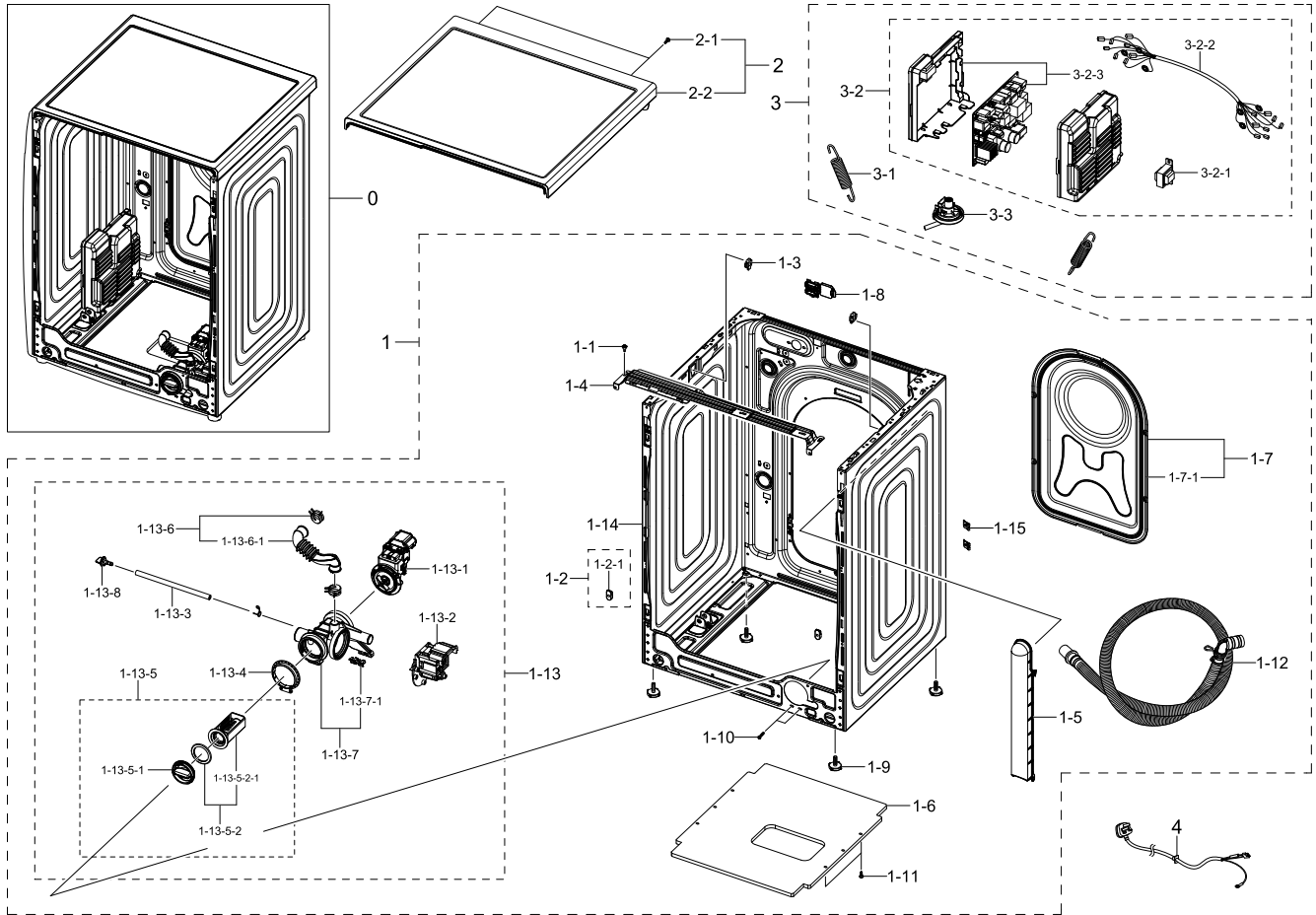
No.	Lvl.	Loc.	Material Code	Description & Specification	SNA	Qty.
1	1		DC90-28643B	ASSY COVER TOP PARTS; WW4000T,WW90T4540AX	SNA	1
2	1		DC90-28642H	ASSY FRAME PARTS; WW6000T,WW90T654DLX/S3	SNA	1
2-1	2	W0194	DC97-17336F	ASSY PUMP DRAIN; WW6000T,BUBBLE,250V	SA	1
3	1		DC90-28645L	ASSY FRONT PARTS; WW5000T,WW90T534DAX/S1	SNA	1
4	1		DC90-28644C	ASSY DRAWER PARTS; WW4000T,WW90T4540AX/EU	SNA	1
4-1	2	W0163	DC97-22247D	ASSY HOUSING DRAWER-MODULE; U-PJT (F500),	SA	1
4-2	2	W0216	DC97-22401B	ASSY DRAWER; WW4000T/5000T,WW90T4540AX/EU	SA	1

No.	Lvl.	Loc.	Material Code	Description & Specification	SNA	Qty.
5	1		DC90-28696E	ASSY PANEL CONTROL PARTS; WW5000T,WW90TA0	SNA	1
6	1		DC90-28647A	ASSY TUB BACK PARTS; WW6000T,WW90T684DLH/	SNA	1
7	1	W0165	DC90-12363A	ASSY DRUM; F500E,WF80F5E5U4W/EF	SNA	1
8	1		DC90-28646C	ASSY TUB FRONT PARTS; WW5000T,WW90T534DAW	SNA	1
9	1		DC90-28651B	ASSY ACCESSORY PARTS; WW4000T,WW90T4540AX	SNA	1
9-1	2	W0718	DC98-04403B	ASSY ACCESSORY; WW4000T,WW90T4540AX/EU	SNA	1
9-1-1	3	W0636	DC60-00104A	FASTENER-BOLT; ALL,CR-SPCC,T2,L113.5	SA	1
9-1-2	3	W0614	DC67-00208B	CAP-FIXER; WF8602NHS/XFA,PP,T1.5,COPO,BLA	SA	1
9-1-3	3	W0614	DC67-00307A	CAP-FIXER; WF438AAC/XAA,PP,T1.5,-,RM60,BL	SC	3
9-1-4	3	W0626	DC67-00357A	HOSE-HANGER; SEM,PP+TD20%,ID24.13,T2,INNE	SA	1
9-1-5	3	W0757	DC97-17845A	ASSY HOSE WATER; COLD,ALL MODEL	SA	1
10	2	W0603	DC97-14653C	ASSY FIXER TUB; SCOUT,WF0804Y8E/XEF	SA	3

3. Assy Frame & Inner Parts

Assy Frame & Inner Parts

Exploded View



Parts List

No.	Lvl.	Loc.	Material Code	Description & Specification	SNA	Qty.
1	1		DC90-28642H	ASSY FRAME PARTS; WW6000T,WW90T654DLX/S3	SNA	1
1-1	2	W0102	6009-001240	SCREW-SPECIAL; TH,+,M5,L13.5,ZPC(WHT),SWR	SA	2
1-2	2		DC97-22976A	ASSY FRAME FRONT-GUIDE; All model,ASSY GU	SA	2
1-2-1	3		DC61-01901B	GUIDE FRAME FRONT; U-PJT,POM,K300,NATURAL	SNA	2
1-3	2	WI0266	DC61-02065A	GUIDE SPRING; WF448AAG/XXA,POM,T4,-,F20-0	SA	2
1-4	2	W0248	DC61-03467A	FRAME PLATE-UP; WF-F500E,GI-SGCC,T1,F500	SA	1
1-5	2		DC61-05003C	GUIDE HOSE DRAIN; WW80T554AAT,ABS,HB,CNTK	SA	1

No.	Lvl.	Loc.	Material Code	Description & Specification	SNA	Qty.
1-6	2	W0629	DC61-20001B	SHUTTER; F500E Platform, VE,PP,-,-,-,-,J3	SA	1
1-7	2	G0430	DC97-22389A	ASSY COVER BACK; WW6000T,WW90T684DLH/S1	SA	1
1-7-1	3		DC63-01034D	COVER BACK; W6000J,GI-SGCC,T0.35	SA	1
1-8	2		DC63-02181A	COVER CONNECTOR; WW5500K (SEHC),PP,-,HB,N	SA	1
1-9	2	W0606	DC97-00920W	ASSY LEG; WW6000T,WD90T654DBH/S1,48.5,M10	SA	4
1-10	2	M0030	DC97-14006A	ASSY SCREW; WF203,M4/L16	SA	2
1-11	2	M0030	DC97-14006B	ASSY SCREW; WW5000J,M4,L16,OD14.8,NO RUBB	SA	5
1-12	2	W0604	DC97-16240B	ASSY HOSE DRAIN(O); F500E,WF80F5E5,ASSY,L	SA	1
1-13	2	W0194	DC97-17336F	ASSY PUMP DRAIN; WW6000T,BUBBLE,250V	SA	1
1-13-1	3		DC31-00181E	MOTOR AC PUMP; Drum,S3032,2Pole,220-240V,	SA	1
1-13-2	3		DC31-00181A	MOTOR AC PUMP; Drum & Auto,B15-6A/S3019/S30	SA	1
1-13-3	4	U2015	DC67-00244C	HOSE DRAIN; WF0804Y8E,EPDM,ID6,T2.5,HS0,B	SA	1
1-13-4	4		DC69-01128A	PACKING-PUMP; WF8804DP,BUTYL,T2.5,HEBA-PJ	SA	1
1-13-5	4	G0050	DC97-15695A	ASSY FILTER; GRIFFIN-PJT,WF9804RWE,PP+EPD	SA	1
1-13-5-1	5	WI0357	DC64-01317A	HANDLE FILTER; BAIKAL,PP+TD20%,FC2210,INN	SA	1
1-13-5-2	5		DC97-19203A	ASSY SEMI FILTER; F500/400, WW6000/3000,B	SNA	1
1-13-5-2-1	6	W0633	DC63-00998A	FILTER PUMP; SCOUT-PJT,PP+TD20%,-,W52.8,L	SA	1
1-13-6	3	G0422	DC97-17339B	ASSY HOSE AIR; WW5000J,BUBBLE,ID 19.3,BLK	SA	1
1-13-6-1	4	G0053	DC67-00671A	HOSE AIR TUB; F500,EPDM,ID19.3,T2.5,BLACK	SA	1
1-13-7	3	W0514	DC97-19376C	ASSY CASE FILTER; WW6000T,BUBBLE	SA	1
1-13-7-1	4	WO0031	DC63-00905A	CUSHION PUMP; WF8802DPF/XET,NBR,T1.5,D14,	SA	1
1-13-8	4	WI0107	DC61-10673A	CAP DRAIN; WF220ANW,PP,-,-,-,-,CNTK-P10	SA	1
1-14	2	W0506	DC97-22383B	ASSY FRAME-MODULE; WW6000T,T0.7,INOX GRAY	SA	1
1-15	2		DD61-00140A	BRACKET-TAPPING; SDW-T120B,SWRCH10A,T0.6,	SNA	2
2	1		DC90-28643B	ASSY COVER TOP PARTS; WW4000T,WW90T4540AX	SNA	1
2-1	2	G0412	6002-000613	SCREW-TAPPING; TH,+,-,2,M5,L16,ZPC(WHT),S	SNA	2
2-2	2		DC97-22310H	ASSY COVER TOP-MODULE; WW4000T/5000T,ABS+	SA	1

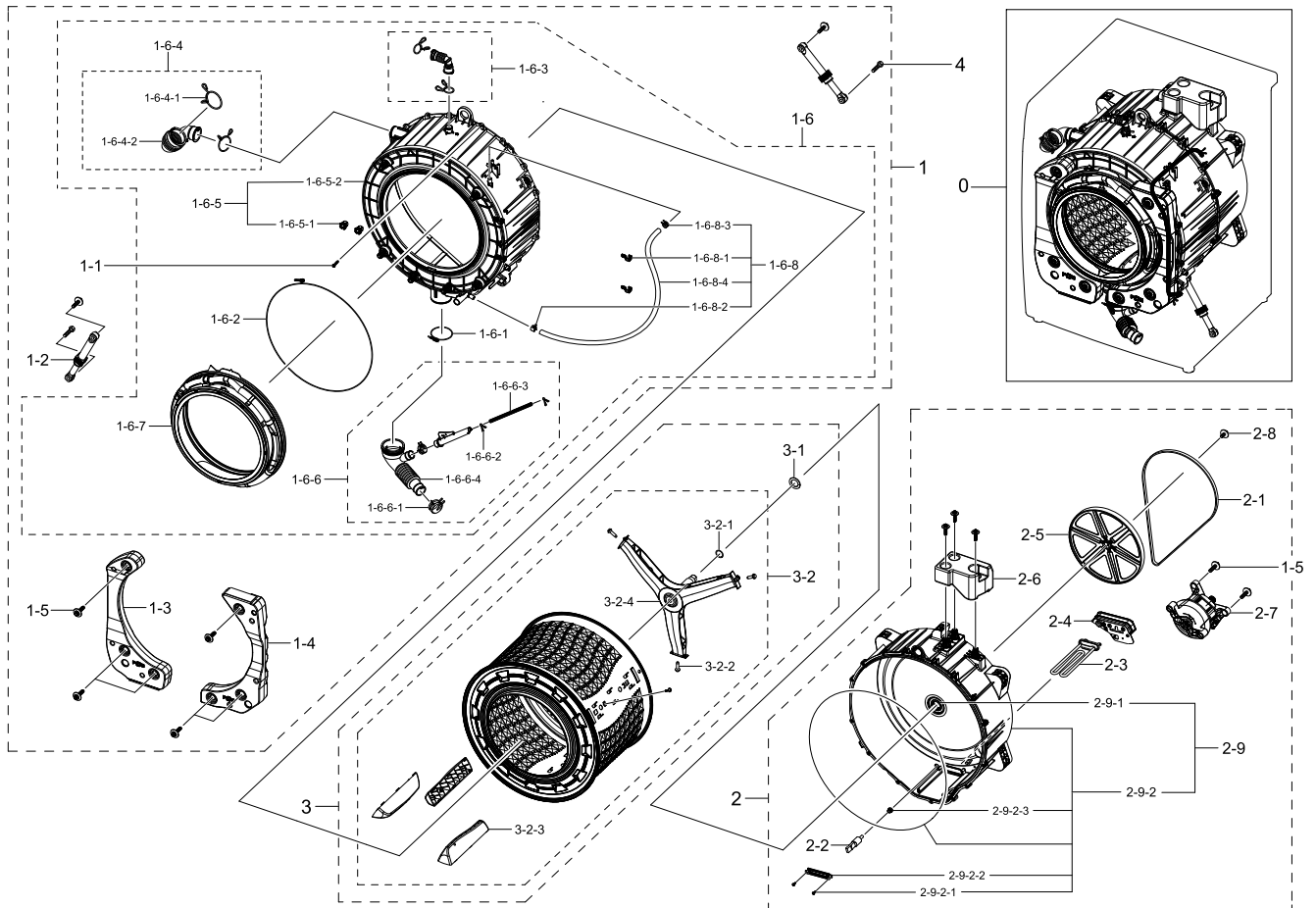
Exploded Views and Parts List

No.	Lvl.	Loc.	Material Code	Description & Specification	SNA	Qty.
3	1		DC90-28669X	ASSY INNER PARTS; WW5000T,WW90TA046TT/EU	SNA	1
3-1	2		DC61-02029D	SPRING ETC-HANGER MODULE; WW6800M,HSWR,3.	SA	2
3-2	2		DC92-02784X	ASSY COVER PCB W/HARNESS; WW5000T,WW90TA0	SNA	1
3-2-1	3		DC27-00012A	COIL HARMONIC; 4.5mH,40x69x39mm,3A,-	SA	1
3-2-2	3		DC93-00883R	ASSY WIRE HARNESS-MAIN; DRUM-M,WW4000T,F-	SA	1
3-2-3	3		DC94-10592A	ASSY PCB EEPROM; 0186,WW4000T	SA	1
3-3	2	H2050	DC96-01703Q	SENSOR PRESSURE; Air,5V,L0,400mmH2O	SA	1
4	2		DC39-00067B	POWER CORD-AT; H05VV-F 3x1.0mm2,GRY,EU3F,	SA	1

4. Assy Tub & Drum Parts

Assy Tub & Drum Parts

Exploded View



Parts List

No.	Lvl.	Loc.	Material Code	Description & Specification	SNA	Qty.
1	1		DC90-28646C	ASSY TUB FRONT PARTS; WW5000T,WW90T534DAW	SNA	1
1-1	2	G0049	6009-001367	BOLT-HEX; M6.5,L32,ZPC(WHT),HWH,+,SWRCH18	SA	15
1-2	2		DC66-00470G	DAMPER SHOCK-MODULE; 24" Drum,PP/RUBBER/S	SA	2
1-3	2		DC67-01109B	WEIGHT BALANCER-LEFT MODULE; WW6000T,CONC	SA	1
1-4	2		DC67-01110B	WEIGHT BALANCER-RIGHT MODULE; WW6000T,CON	SA	1
1-5	2	W0601	DC97-14263A	ASSY BOLT; MOTOR/BOLT(M8)+WASHER(OD27.5),	SA	13
1-6	2	G0048	DC97-22380C	ASSY TUB FRONT-MODULE; WW5000T,BUBBLE,NON	SNA	1

Exploded Views and Parts List

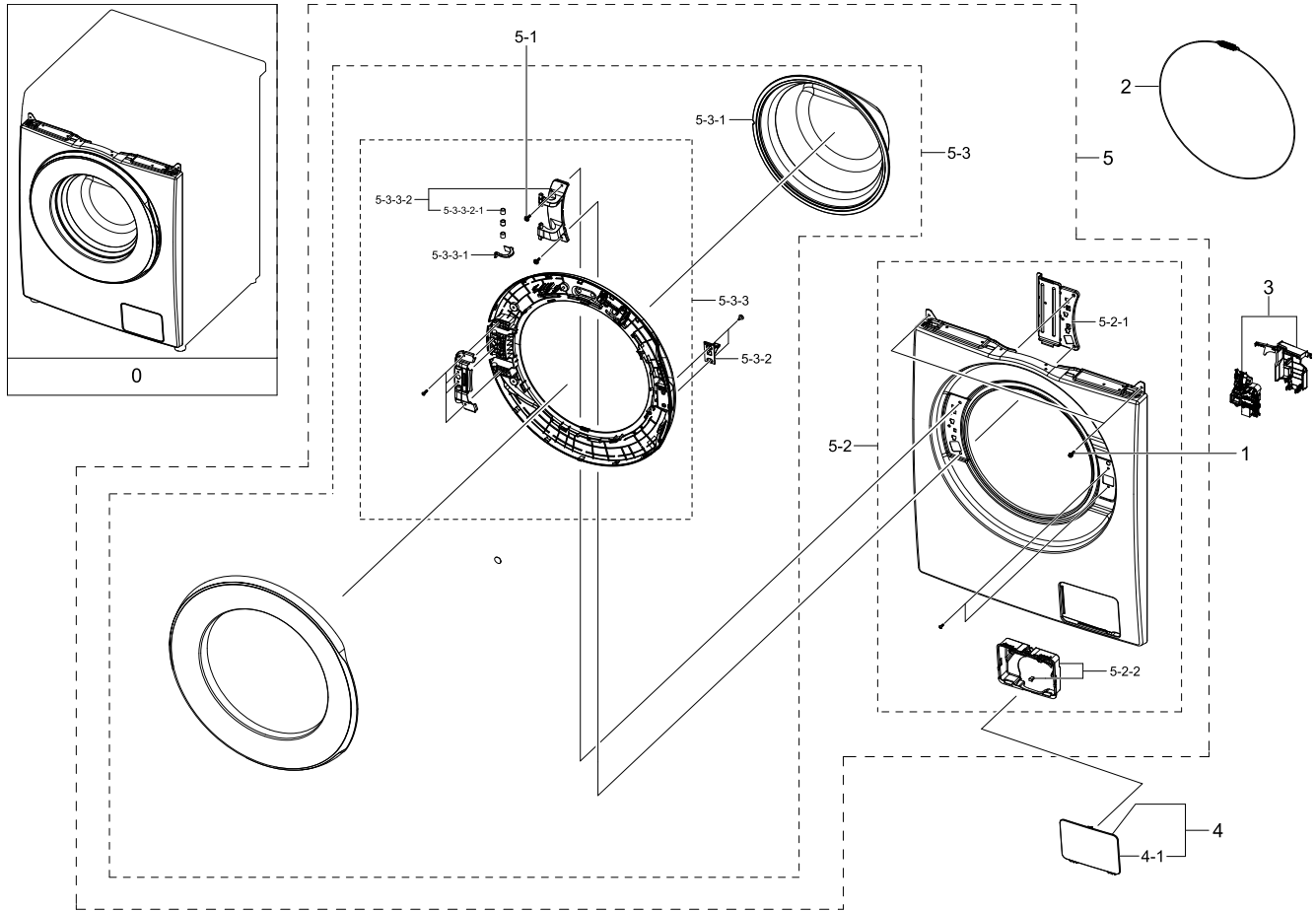
No.	Lvl.	Loc.	Material Code	Description & Specification	SNA	Qty.
1-6-1	3	W0744	DC65-00021A	CLAMPER HOSE-JOINT; HEBA PJT,HSWR	SA	1
1-6-2	3	M0038	DC97-14618A	ASSY CLAMP DIAPHRAGM; WF8804DP,OD2.0/L124	SA	1
1-6-3	3	G0422	DC97-14873C	ASSY HOSE AIR; F500,WF80F5E5U4W	SA	1
1-6-4	3	G0043	DC97-14874F	ASSY HOSE DRAWER; F500E,ALL	SA	1
1-6-4-1	4		DC61-04117A	CLIP RING; -,HSWR,-,-,ID37,T3.0	SA	1
1-6-4-2	4	WJ0027	DC72-00001G	CLIP RING; HEBA-PJT,HSWR,HSWR-SWRH ZPC2,T	SA	1
1-6-5	3	W0636	DC97-17327D	ASSY SEMI TUB FRONT; WW6000T,FRPP,BUBBLE,	SNA	1
1-6-5-1	4	WS0064	DC61-02549A	BUSH MOTOR; HEBA BIGBANG,PA66,NATURAL,KN3	SA	2
1-6-5-2	4		DC61-03453G	TUB FRONT; WW6000T,PP+GF30%,T3.5,NATURAL,	SA	1
1-6-6	3	W0605	DC97-17330A	ASSY HOSE PRESSURE; 400mmH20,No PBA,WF80F	SA	1
1-6-6-1	4	W0615	DC61-00219C	CLAMPER HOSE; SK5,WLSL1100A,ID35,ZPC2	SA	1
1-6-6-2	4	WP0165	DC61-70029C	CLIP RING; SEW-HW125,HSWR,WHITE	SA	2
1-6-6-3	4	W0725	DC67-00230E	HOSE WATER; WD8704,TPE,ID4.5,T0,HS0,DARK	SA	1
1-6-6-4	4	W0625	DC67-00551A	HOSE FILTER TUB; VOLGA,EPDM,ID64.5,T1.5,H	SA	1
1-6-7	3		DC64-03988A	DOOR DIAPHRAGM; WW8000T,TPE,T1.5,EK-1045,	SA	1
1-6-8	3		DC97-22378A	ASSY HOSE CIRCULATION; WW6000T,WW90T684DL	SNA	1
1-6-8-1	4	G0415	DC61-02646A	GUIDE HOSE; WF0804Y8E,PP,T2,-,RM60,BLACK,	SA	1
1-6-8-2	4	W0615	DC65-00008A	CLAMPER HOSE; SEW-DR605,SK5,ID14.2/T0.9	SA	1
1-6-8-3	4	W0615	DC65-00008F	CLAMPER HOSE; F500E,SK5,ID14.2 / T0.9 / W	SA	1
1-6-8-4	4	G0052	DC67-00471E	HOSE CIRCULATION; F500E,EPDM,ID9,T2.75,BL	SA	1
2	1		DC90-28647A	ASSY TUB BACK PARTS; WW6000T,WW90T684DLH/	SNA	1
2-1	2	W0209	6602-003939	BELT-TIMING GEAR; RUBBER,BLK,T3.2,W11.7,L	SA	1
2-2	2	M0487	DC32-00010C	SENSOR TEMP; L120,3.243kohm,2%,60C,9.8phi	SA	1
2-3	2	W0237	DC47-00033B	HEATER WASH; AC230V,2000W,SUS316L,728mm,N	SA	1
2-4	2	W0235	DC63-01553A	COVER HEATER; F500 PJT,ABS,5VA,NATURAL,VE	SA	1
2-5	2	W0434	DC66-00767A	PULLEY MOTOR; F500,PA6+GF60%,NATURAL,OD29	SA	1
2-6	2		DC67-01108A	WEIGHT BALANCER-UP MODULE; WW6000T,CONCRE	SA	1
2-7	2		DC93-00630A	ASSY MOTOR BLDC-MODULE; F4 24mm Press Hou	SA	1
2-8	2	W0601	DC97-06080F	ASSY BOLT; WD9500J,30,M12,Washer 38	SA	1
2-9	2	W0501	DC97-17334C	ASSY TUB BACK-MODULE; WW6000T, FRPP GF 30	SA	1

No.	Lvl.	Loc.	Material Code	Description & Specification	SNA	Qty.
2-9-1	3	WS0119	DC62-00008A	SEAL OIL; NBR,NBU	SA	1
2-9-2	3	G0029	DC97-17329C	ASSY SEMI TUB BACK; WW6000T,FRPP,GF30%,SE	SNA	1
2-9-2-1	4	W0105	6002-000473	SCREW-TAPPING; TH,+,NO,1,M4,L14,PASS,STS3	SA	2
2-9-2-2	4	W0230	DC61-02874A	BRACKET HEATER; WD0704CQR,STS430,T0.5,-,-	SA	1
2-9-2-3	4	M0028	DC69-00824A	PACKING-THERMISTOR; GW-PJT,EPDM,-,-,W17,H	SA	1
3	1	W0165	DC90-12363A	ASSY DRUM; F500E,WF80F5E5U4W/EF	SNA	1
3-1	2	WS0131	DC60-00069A	SPACER; WR-HA139WA,STS304,-,-,-,D0,-	SA	1
3-2	2	W0165	DC97-17231A	ASSY DRUM-MODULE; F500 PJT	SA	1
3-2-1	3		6044-002157	RING-OG; ID28,OD32.2,T2.1,BLK,NBR	SA	1
3-2-2	3	WJ5081	DC60-40137A	BOLT HEX; MARS-PJT,STS430,-,L30,-,-,HEX	SA	3
3-2-3	3	W0619	DC66-00759A	DRUM LIFTER; F500 PJT,PP+TD20%,-,-,-,FC22	SA	3
3-2-4	3	W0164	DC97-17234A	ASSY FLANGE SHAFT; F500 PJT,71.5	SA	1
4	2	G0049	DC60-40144A	BOLT HEX; F500,SM10C,T10,L35,DAMPER	SA	2

5. Assy Front Parts

Assy Front Parts

Exploded View



Parts List

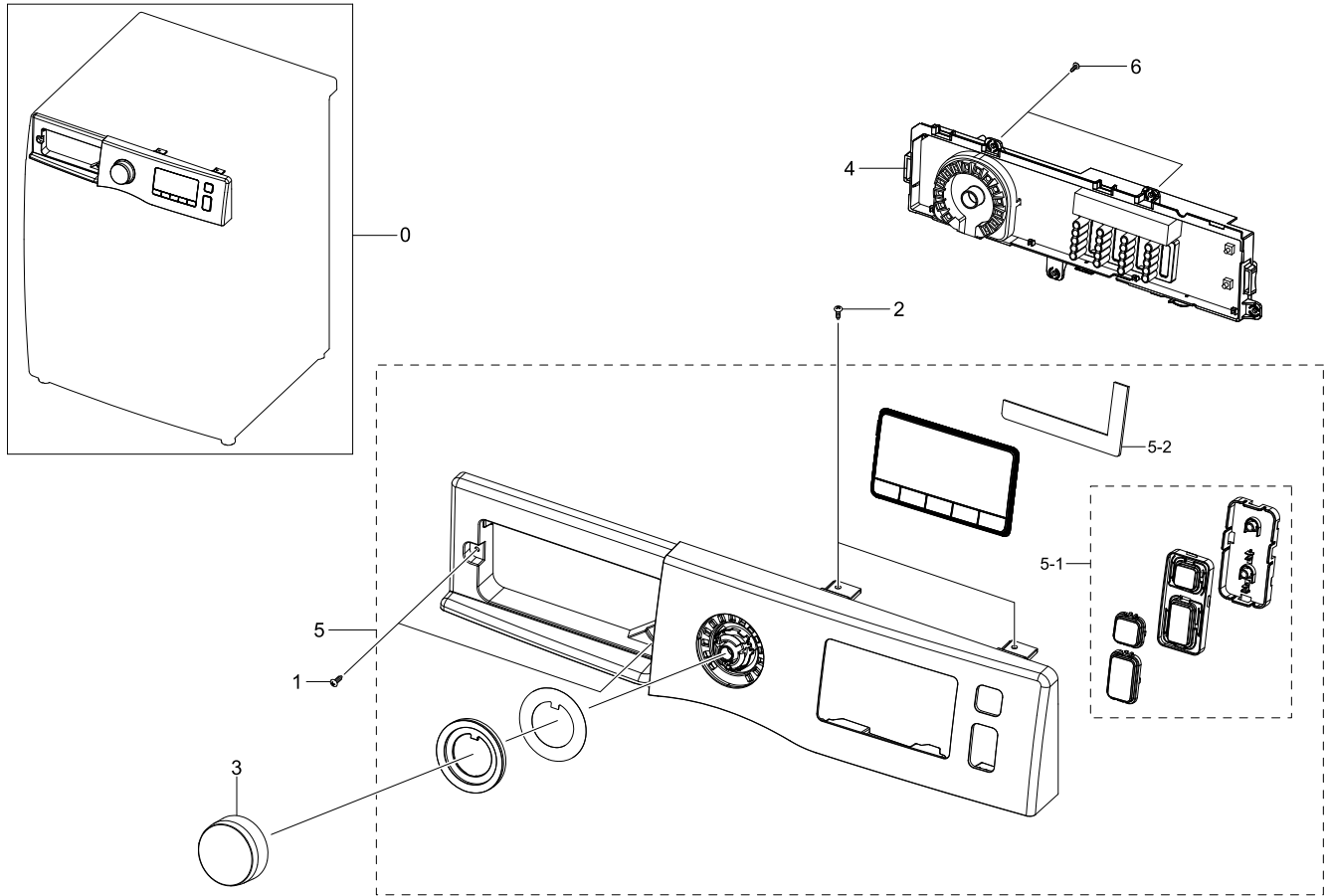
No.	Lvl.	Loc.	Material Code	Description & Specification	SNA	Qty.
0	1		DC90-28645L	ASSY FRONT PARTS; WW5000T,WW90T534DAX/S1	SNA	1
1	2	W0105	6002-001438	SCREW-TAPPING; HWH,+,NO,1,M5,L12,ZPC(WHT)	SA	2
2	2	W0608	DC91-12078D	ASSY WIRE DIAPHRAGM; HEBA-PJT,-,-,-,-,-	SA	1
3	2		DC97-22289C	ASSY COVER DOOR SWITCH; WW6000T	SA	1
4	2	M0039	DC97-22290B	ASSY COVER FILTER; WW6000T,ABS,T2.5,INOX,	SA	1
4-1	3		DC63-00920R	COVER FILTER; WF652U2SHGX/TL,ABS,T2,-,DA	SA	1
5	2	W0253	DC97-22430C	ASSY FRAME FRONT; U-PJT, NONE ADD WASH,BA	SNA	1
5-1	3	G0425	6009-001522	SCREW-HEX; HWH,+,M5,L16,PASS,STS304,FP,SE	SA	2

No.	Lvl.	Loc.	Material Code	Description & Specification	SNA	Qty.
5-2	3		DC97-22382B	ASSY FRAME FRONT-MODULE; WW4000T,WW90T454	SA	1
5-2-1	4	W0226	DC61-02584A	BRACKET HINGE; U-PJT,GI-SGCC,T1.4	SA	1
5-2-2	4		DC97-20168A	ASSY FILTER GUIDE; F500,WW5,WW6,WF80F5E5U	SA	1
5-3	3	W0459	DC97-22399A	ASSY DOOR-MODULE; WW5000T,BLACK,BASIC	SA	1
5-3-1	4	WD0070	DC64-01521A	DOOR GLASS; WF8804DP,GLASS,T5,-,-,NATURAL	SA	1
5-3-2	4	W0474	DC66-00375A	LEVER DOOR; 10KG DRUM, U-PJT,ZNDC,T2.5,NI	SA	1
5-3-3	4	W0454	DC97-22130A	ASSY HOLDER GLASS; WW8000T,NON ADD WASH	SNA	1
5-3-3-1	5		DC61-02197A	GUIDE WIRE; WD9500JK,POM,T1,M90-44,NATURA	SA	1
5-3-3-2	5		DC97-20016A	ASSY HINGE DOOR; WW6500, WW5500, WW4500	SNA	1
5-3-3-2-1	6	WD0090	DC61-00891A	GUIDE HINGE; HAUZEN(DOM),POM,-,-,K300,NAT	SA	3

6. Assy Panel Control Parts

Assy Panel Control Parts

Exploded View



Parts List

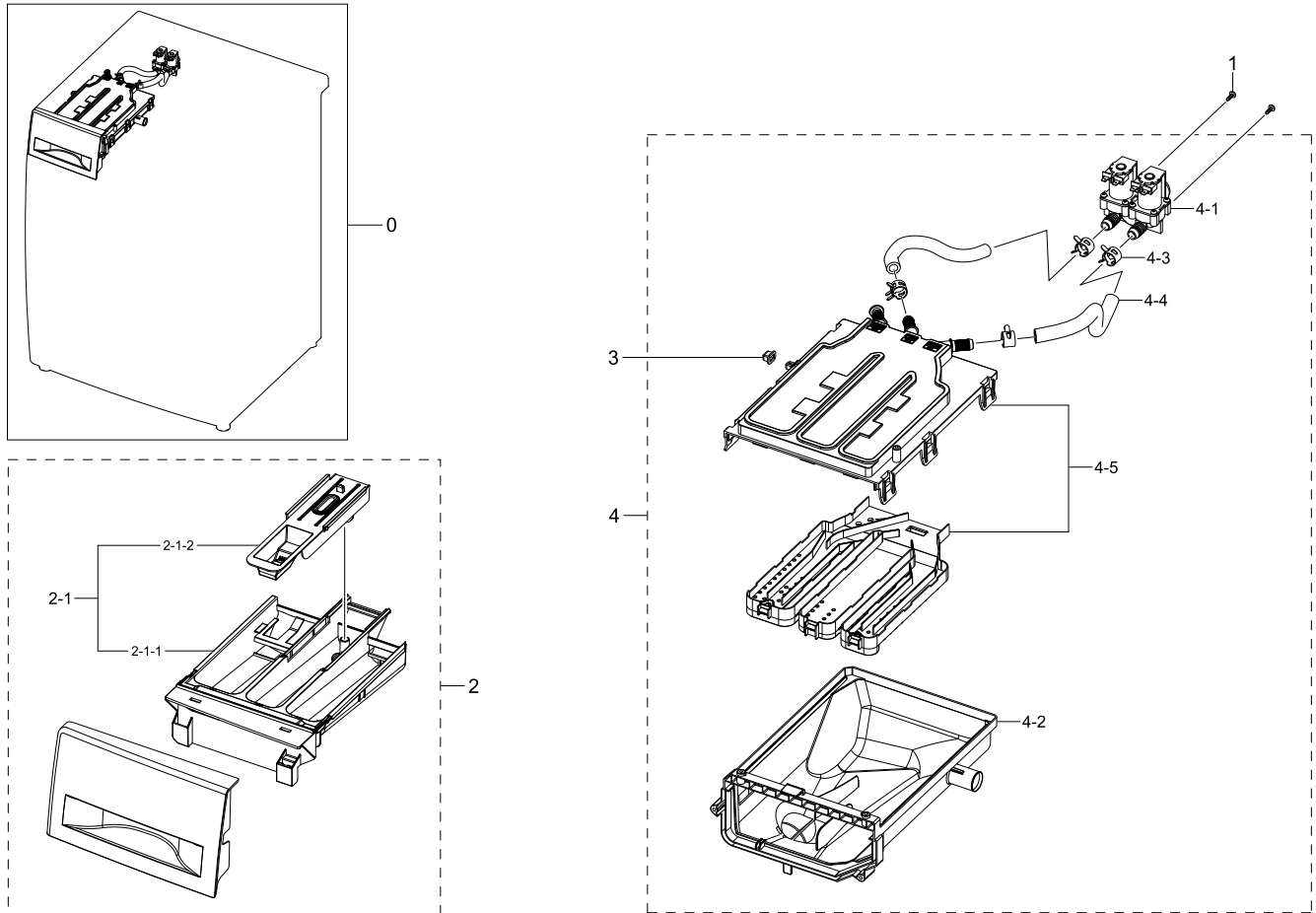
No.	Lvl.	Loc.	Material Code	Description & Specification	SNA	Qty.
0	1		DC90-28696E	ASSY PANEL CONTROL PARTS; WW5000T,WW90TA0	SNA	1
1	2	W0105	6002-000445	SCREW-TAPPING; TH,+,NO,2,M4,L18,PASS,STS4	SNA	2
2	2	WX0441	6002-000520	SCREW-TAPPING; TH,+,2,M4,L12,ZPC(WHT),SWR	SNA	2
3	2		DC64-03312B	KNOB ENCODER; F500E,PMMA,CLEAR TP,PMMA & AB	SA	1
4	2		DC92-01950B	ASSY PCB DISPLAY; FWM_INV WASH,WW5000T_LE	SA	1
5	2		DC97-23114C	ASSY PANEL CONTROL-MODULE; WW5000T,WW90TA	SA	1
5-1	3	G0431	DC97-17392S	ASSY BUTTON; WW5/4000T,INOX PEARL 2,ABS,A	SA	1

No.	Lvl.	Loc.	Material Code	Description & Specification	SNA	Qty.
5-2	3	W0897	DC93-00540A	ASSY MODULE; TOUCH SENSOR,F500 IML BEST,"	SA	1
6	2	WX0412	6002-000213	SCREW-TAPPING; TH,+,1,M4,L12,ZPC(WHT),SWR	SNA	2

7. Assy Drawer Parts

Assy Drawer Parts

Exploded View



Parts List

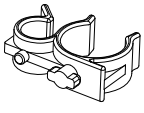
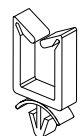
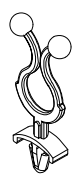

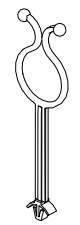


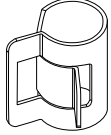
No.	Lvl.	Loc.	Material Code	Description & Specification	SNA	Qty.
0	1		DC90-28644C	ASSY DRAWER PARTS; WW4000T,WW90T4540AX/EU	SNA	1
1	2	F0056	6003-001768	SCREW-TAPTYPE; TH,+,WT,S,M4,L10,ZPC(WHT),	SNA	4
2	2	W0216	DC97-22401B	ASSY DRAWER; WW4000T/5000T,WW90T4540AX/EU	SA	1
2-1	3	W0216	DC97-19194A	ASSY DRAWER; F500E,Body Drawer+Cap Rinse	SA	1
2-1-1	4	W0156	DC61-03480A	BODY DRAWER; WF-F500E,PP+TD30%,DA WHITE,W	SA	1
2-1-2	4	W0215	DC67-00452A	CAP RINSE; WF0800NCE,PP+TD30%,MT43,HONEST	SA	1
3	2		DC67-00327A	CAP DRAWER HOOK; HEBA-PJT,EPDM,-,-,-,BLAC	SA	1

No.	Lvl.	Loc.	Material Code	Description & Specification	SNA	Qty.
4	2	W0163	DC97-22247D	ASSY HOUSING DRAWER-MODULE; U-PJT (F500),	SA	1
4-1	3		DC33-01010A	VALVE WATER; DC12V,Bracket,mm,#250,1,2,11	SA	1
4-2	3	W0372	DC61-03473A	HOUSING DRAWER-LOW; WF-F500E,PP+TD30%,NAT	SA	1
4-3	3	W0615	DC65-00008A	CLAMPER HOSE; SEW-DR605,SK5,ID14.2/T0.9	SA	4
4-4	3	W0151	DC67-00051T	HOSE DRAWER; F500E,EPDM,ID9.0,OD14.5,L230	SA	2
4-5	3	W0497	DC97-17347A	ASSY S.HOUSING DRAWER; F500E,WF80F5E5U4W	SA	1

8. Small Parts

Small Parts

Exploded View

				
1	2	3	4	5
				
6	7	8		

Parts List

No.	Lvl.	Loc.	Material Code	Description & Specification	SNA	Qty.
1	2	W0615	DC61-00133D	CLAMPER HOSE; WW80T554,PP,BLACK,-,-,SSPP-	SNA	3
2	2	M0001	DC61-00553B	CABLE CLAMP; DAWS-3NE,PA66,NTR	SA	1
3	2		6502-000127	CABLE CLAMP; DAWH-18NB,PA66,NTR	SA	1
4	2		DC65-20010A	CABLE CLAMP; DA-9N-1,NYLON66,NTR	SNA	1
5	2	WI0293	DC61-00995C	HOLDER WIRE; HEBA-PJT,PA66,-,NATURAL,-,-,	SA	1
6	2	WI0295	DC61-60074A	HOLDER WIRE; PA66,NATURAL,101F,rectangle	SA	1
7	2	W0623	DC61-40083A	HOLDER WIRE; DAWH-3ND,PA66,-,NATURAL,-,-,	SA	1
8	4	W0615	DC65-00008F	CLAMPER HOSE; F500E,SK5,ID14.2 / T0.9 / W	SA	1