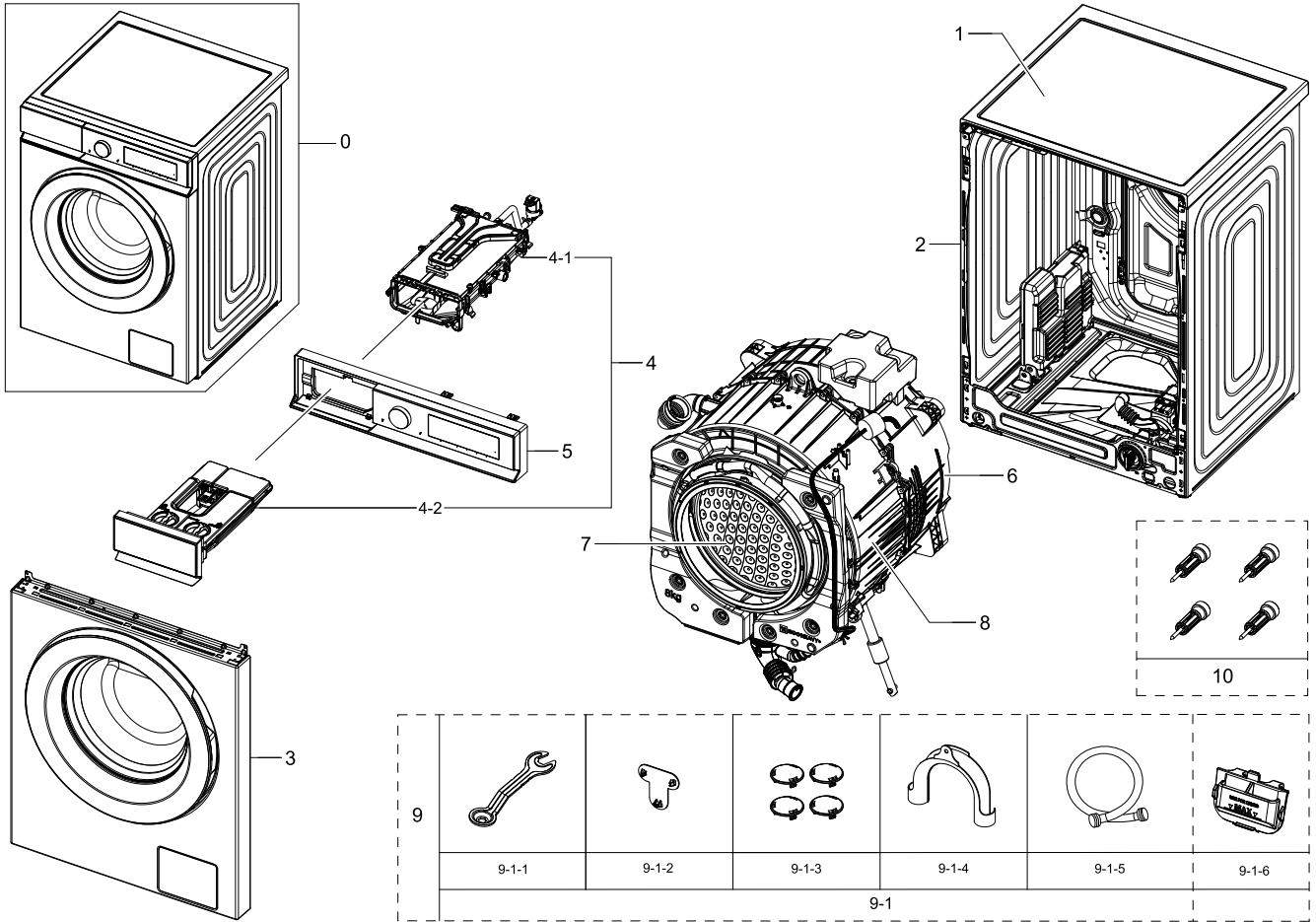


1. Main

Main

Exploded View



Parts List

No.	Lvl.	Loc.	Material Code	Description & Specification	SNA	Qty.
1	1		DC90-30538B	ASSY COVER TOP PARTS; B-PJT,DA WHITE	SNA	1
2	1		DC90-30531Q	ASSY FRAME PARTS; WW5000B,WHITE,NO L/S,NO	SNA	1
3	1		DC90-30533B	ASSY FRONT PARTS; WW5000B,WHT BODY,FLAT B	SNA	1
4	1		DC90-30532R	ASSY DRAWER PARTS; WW5000B,AUDO DISPENSE,	SNA	1
4-1	2	W0163	DC97-23337B	ASSY HOUSING DRAWER; B-PJT,AOW,NO S/S	SA	1
4-2	2		DC97-23341K	ASSY DRAWER-MODULE; B-PJT,WW5300B,WHITE B	SA	1
5	1		DC90-30638D	ASSY PANEL CONTROL PARTS; WW7000B,SIMPLE,	SNA	1
6	1		DC90-30535A	ASSY TUB BACK PARTS; WW5000B,NO AOW	SNA	1

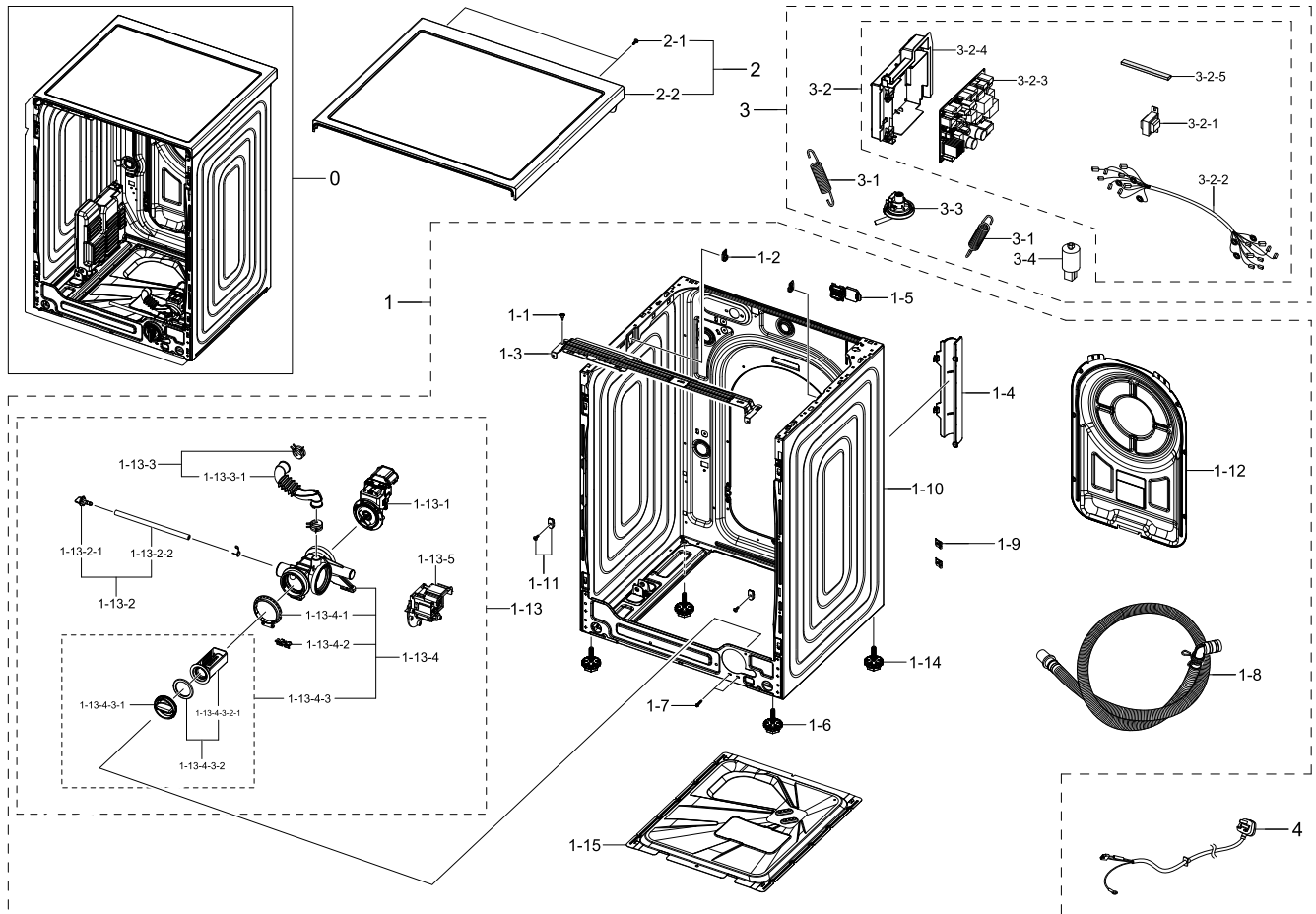
Exploded Views and Parts List

No.	Lvl.	Loc.	Material Code	Description & Specification	SNA	Qty.
7	1		DC90-30530A	ASSY DRUM PARTS; WW5000B,BIG CAPA,WASHER	SNA	1
8	1		DC90-30534A	ASSY TUB FRONT PARTS; WW5000B,NO SUPER SP	SNA	1
9	1		DC90-30537D	ASSY ACCESSORY PARTS; AUTO DISPENSE,GENER	SNA	1
9-1	2	W0718	DC98-04403E	ASSY ACCESSORY; B-PJT,GENERAL HOSE	SNA	1
9-1-1	3	WJ5077	DC60-40146A	BOLT SPANER; -,CR-SPCC,T2.5,L166,-,-,-,-	SA	1
9-1-2	3	W0614	DC67-00208B	CAP-FIXER; WF8602NHS/XFA,PP,T1.5,COPO,BLA	SA	1
9-1-3	3	W0614	DC67-00307A	CAP-FIXER; WF438AAC/XAA,PP,T1.5,-,P-002HB	SC	4
9-1-4	3		DC67-00357B	HOSE HANGER; U-PJT,PP,ID24.13,BLACK	SA	1
9-1-5	3	W0757	DC97-17845A	ASSY HOSE WATER; COLD,ALL MODEL	SA	1
9-1-6	3		DC61-03510A	GUIDE LIQUID; WF-F500E,PP+TD30%,-,-,MT43,	SA	1
10	2	W0603	DC97-14653L	ASSY FIXER TUB; SCOUT,WF0804Y8E/XEF,SEBS	SA	4

2. Assy Frame & Inner Parts

Assy Frame & Inner Parts

Exploded View



Parts List

No.	Lvl.	Loc.	Material Code	Description & Specification	SNA	Qty.
1	1		DC90-30531Q	ASSY FRAME PARTS; WW5000B,WHITE,NO L/S,NO	SNA	1
1-1	2	W0102	6009-001240	SCREW-SPECIAL; TH,+,M5,L13.5,ZPC(WHT),SWR	SA	2
1-2	2		DC61-02065B	GUIDE SPRING; WW11B1A047AWUA,POM,T4,HB,K3	SA	2
1-3	2	W0248	DC61-03467A	FRAME PLATE-UP; WF-F500E,GI-SGCC,T1,F500	SA	1
1-4	2		DC61-05584A	GUIDE HOSE DRAIN; B-PJT,ABS,-,HB,CNTK A-2	SA	1
1-5	2		DC63-02181A	COVER CONNECTOR; WW5500K (SEHC),PP,-,HB,N	SA	1
1-6	2	W0606	DC97-00920W	ASSY LEG; WW6000T,WD90T654DBH/S1,48.5,M10	SA	2

Exploded Views and Parts List

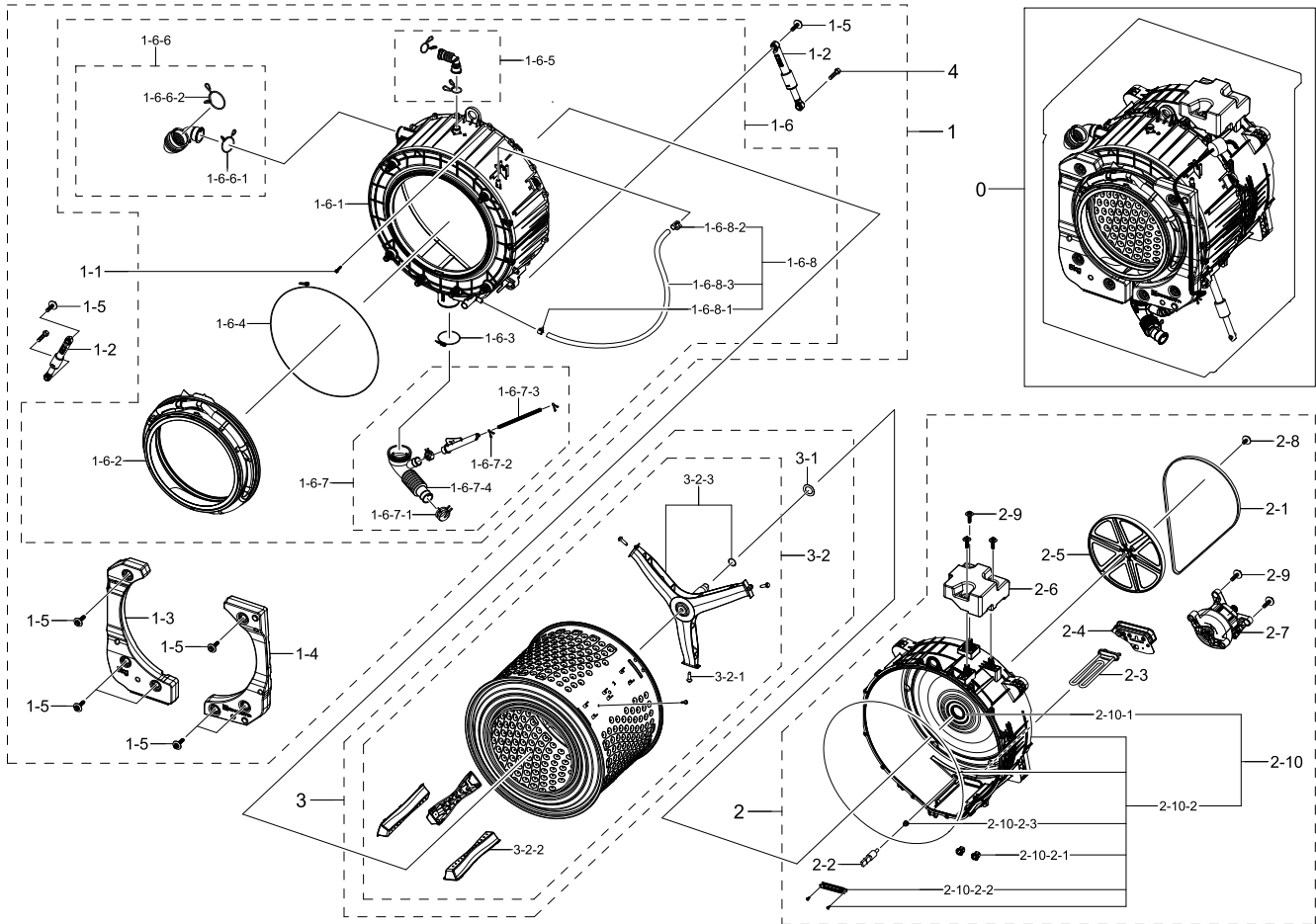
No.	Lvl.	Loc.	Material Code	Description & Specification	SNA	Qty.
1-7	2	M0030	DC97-14006A	ASSY SCREW; WF203,M4/L16	SA	2
1-8	2	W0604	DC97-16240G	ASSY HOSE DRAIN(O); WW5000B,ASSY,L2130,21	SA	1
1-9	2		DD61-00140A	BRACKET-TAPPING; SDW-T120B,SWRCH10A,T0.6,	SNA	2
1-10	2		DC97-23350F	ASSY FRAME-MODULE; B-PJT,WW5000B,T0.8,DA-	SA	1
1-11	2		DC97-22976A	ASSY FRAME FRONT-GUIDE; All model,ASSY GU	SA	2
1-12	2	G0430	DC97-23109B	ASSY COVER BACK; WW5000B,WW11BBA049ABEG,T	SA	1
1-13	2	W0194	DC97-17336F	ASSY PUMP DRAIN; WW6000T,BUBBLE,250V	SA	1
1-13-1	3		DC31-00181A	MOTOR AC PUMP; Drum & Auto,B15-6A/S3019/S30	SA	1
1-13-2	3	M0041	DC97-19088A	ASSY HOSE DRAIN; F500E,WF80F5E5U4W,Black	SNA	1
1-13-2-1	4	WI0107	DC61-10673A	CAP DRAIN; WF220ANW,PP,-,-,-,-,CNTK-P10	SA	1
1-13-2-2	4	U2015	DC67-00244C	HOSE DRAIN; WF0804Y8E,EPDM,ID6,T2.5,HS0,B	SA	1
1-13-3	3	G0422	DC97-17339B	ASSY HOSE AIR; WW5000J,BUBBLE,ID 19.3,BLK	SA	1
1-13-3-1	4	G0053	DC67-00671A	HOSE AIR TUB; F500,EPDM,ID19.3,T2.5,BLACK	SA	1
1-13-4	3	W0514	DC97-19376C	ASSY CASE FILTER; WW6000T,BUBBLE	SA	1
1-13-4-1	4		DC69-01128A	PACKING-PUMP; WF8804DP,BUTYL,T2.5,HEBA-PJ	SA	1
1-13-4-2	4	WO0031	DC63-00905A	CUSHION PUMP; WF8802DPF/XET,NBR,T1.5,D14,	SA	1
1-13-4-3	4	G0050	DC97-15695A	ASSY FILTER; GRIFFIN-PJT,WF9804RWE,PP+EPD	SA	1
1-13-4-3-1	5	WI0357	DC64-01317A	HANDLE FILTER; BAIKAL,PP+TD20%,FC2210,INN	SA	1
1-13-4-3-2	5		DC97-19203A	ASSY SEMI FILTER; F500/400, WW6000/3000,B	SNA	1
1-13-4-3-2-1	6	W0633	DC63-00998A	FILTER PUMP; SCOUT-PJT,PP+TD20%,-,W52.8,L	SA	1
1-13-5	3		DC31-00181E	MOTOR AC PUMP; Drum,S3032,2Pole,220-240V,	SA	1
1-14	2	W0606	DC97-00920X	ASSY LEG; U-PJT(SERK),L33.5,M10,1.5,BUTYL	SNA	2
1-15	2	W0462	DC61-03478B	COVER-BOTTOM; WW5500K,GI-SGCC,T0.4	SA	1
2	1		DC90-30538B	ASSY COVER TOP PARTS; B-PJT,DA WHITE	SNA	1
2-1	2	G0412	6002-000613	SCREW-TAPPING; TH,+,-,2,M5,L16,ZPC(WHT),S	SNA	2
2-2	2	W0183	DC97-23363A	ASSY COVER TOP-MODULE; B-PJT,WW5000B,ABS+	SA	1

No.	Lvl.	Loc.	Material Code	Description & Specification	SNA	Qty.
3	1		DC90-30670B	ASSY INNER PARTS; B-PJT,EEPROM,DC94-12586	SNA	1
3-1	2	W0630	DC61-02029D	SPRING ETC-HANGER MODULE; WW6800M,HSWR,3.	SA	2
3-2	2		DC92-03256V	ASSY COVER PCB W/HARNESS; EEPROM,DC94-125	SNA	1
3-2-1	3		DC27-00012A	COIL HARMONIC; 4.5mH,40x69x39mm,3A,-	SA	1
3-2-2	3		DC93-01034E	ASSY WIRE HARNESS-MAIN; DRUM-M,URETHANE D	SA	1
3-2-3	3		DC94-14811S	ASSY PCB EEPROM; 0x900A,NON-URETHANE B-PJ	SA	1
3-2-4	3		DC61-05550A	GUIDE COVER PCB; WW6000T(Urethane Delete)	SA	1
3-2-5	3		DC63-02430E	SPONGE; U-PJT(SEPM),PU FOAM,T20,-,-,W20	SA	1
3-3	2	H2050	DC96-01703Q	SENSOR PRESSURE; Air,5V,L0,400mmH2O	SA	1
3-4	2	W0620	DC29-00015K	FILTER EMI; 6.5mH,53X95.5X53mm,15A,V(14D6	SA	1
4	2		DC39-00067B	POWER CORD-AT; H05VV-F 3x1.0mm2,GRY,EU3F,	SA	1

3. Assy Tub & Drum Parts

Assy Tub & Drum Parts

Exploded View



Parts List

No.	Lvl.	Loc.	Material Code	Description & Specification	SNA	Qty.
1	1		DC90-30534A	ASSY TUB FRONT PARTS; WW5000B,NO SUPER SP	SNA	1
1-1	2	G0049	6009-001367	BOLT-HEX; M6.5,L32,ZPC(WHT),HWH,+,SWRCH18	SA	15
1-2	2		DC66-00470G	DAMPER SHOCK-MODULE; 24" Drum,PP/RUBBER/S	SA	2
1-3	2		DC67-01109B	WEIGHT BALANCER-LEFT MODULE; WW6000T,CONC	SA	1
1-4	2		DC67-01110B	WEIGHT BALANCER-RIGHT MODULE; WW6000T,CON	SA	1
1-5	2	W0601	DC97-14263A	ASSY BOLT; MOTOR/BOLT(M8)+WASHER(OD27.5),	SA	8
1-6	2	G0048	DC97-23447A	ASSY TUB FRONT-MODULE; B PJT,WW5000B, No	SNA	1

No.	Lvl.	Loc.	Material Code	Description & Specification	SNA	Qty.
1-6-1	3		DC61-05514A	TUB FRONT; WW9000B,PP+GF30%,T3.5,NATURAL,	SA	1
1-6-2	3		DC64-03988C	DOOR DIAPHRAGM; WW5000B,TPE,T1.5,-,EK-104	SA	1
1-6-3	3	W0744	DC65-00021A	CLAMPER HOSE-JOINT; HEBA PJT,HSWR	SA	1
1-6-4	3	M0038	DC97-14618A	ASSY CLAMP DIAPHRAGM; WF8804DP,OD2.0/L124	SA	1
1-6-5	3	G0422	DC97-14873C	ASSY HOSE AIR; F500,WF80F5E5U4W	SA	1
1-6-6	3	G0043	DC97-14874F	ASSY HOSE DRAWER; F500E,ALL	SA	1
1-6-6-1	4		DC61-04117A	CLIP RING; -,HSWR,-,-,-,ID37,T3.0	SA	1
1-6-6-2	4	WJ0027	DC72-00001G	CLIP RING; HEBA-PJT,HSWR,-,-,-,HSWR-SWRH	SA	1
1-6-7	3	W0605	DC97-17330A	ASSY HOSE PRESSURE; 400mmH20,No PBA,WF80F	SA	1
1-6-7-1	4	W0615	DC61-00219C	CLAMPER HOSE; -,SK5,ID35,-,-,ZPC2	SA	1
1-6-7-2	4	WP0165	DC61-70029C	CLIP RING; SEW-HW125,HSWR,-,WHITE,-,ID8.3	SA	2
1-6-7-3	4	W0725	DC67-00230E	HOSE WATER; WD8704,TPE,ID4.5,-,HS0,DARK H	SA	1
1-6-7-4	4	W0625	DC67-00551A	HOSE FILTER TUB; VOLGA,EPDM,ID64.5,T1.5,H	SA	1
1-6-8	3		DC97-22378A	ASSY HOSE CIRCULATION; WW6000T,WW90T684DL	SNA	1
1-6-8-1	4	W0615	DC65-00008A	CLAMPER HOSE; SEW-DR605,SK5,-,-,-,ID14.	SA	1
1-6-8-2	4	W0615	DC65-00008F	CLAMPER HOSE; F500E,SK5,-,-,-,ID14.2,-,	SA	1
1-6-8-3	4	G0052	DC67-00471E	HOSE CIRCULATION; F500E,EPDM,ID9,T2.75,BL	SA	1
2	1		DC90-30535A	ASSY TUB BACK PARTS; WW5000B,NO AOW	SNA	1
2-1	2	W0209	6602-003939	BELT-TIMING GEAR; RUBBER,BLK,T3.2,W11.7,L	SA	1
2-2	2	M0487	DC32-00010C	SENSOR TEMP; L120,3.243kohm,2%,60C,9.8phi	SA	1
2-3	2	W0237	DC47-00033B	HEATER WASH; AC230V,2000W,SUS316L,728mm,N	SA	1
2-4	2	W0235	DC63-01553A	COVER HEATER; F500 PJT,ABS,5VA,NATURAL,VE	SA	1
2-5	2	W0434	DC66-00767D	PULLEY MOTOR; WW7100A,PA6+GF60%,NATURAL,-	SA	1
2-6	2		DC67-01108A	WEIGHT BALANCER-UP MODULE; WW6000T,CONCRE	SA	1
2-7	2		DC93-00630A	ASSY MOTOR BLDC-MODULE; F4 24mm Press Hou	SA	1
2-8	2	W0601	DC97-06080G	ASSY BOLT; SWRCH10AK,L36.2,M12,Washer 38	SA	1

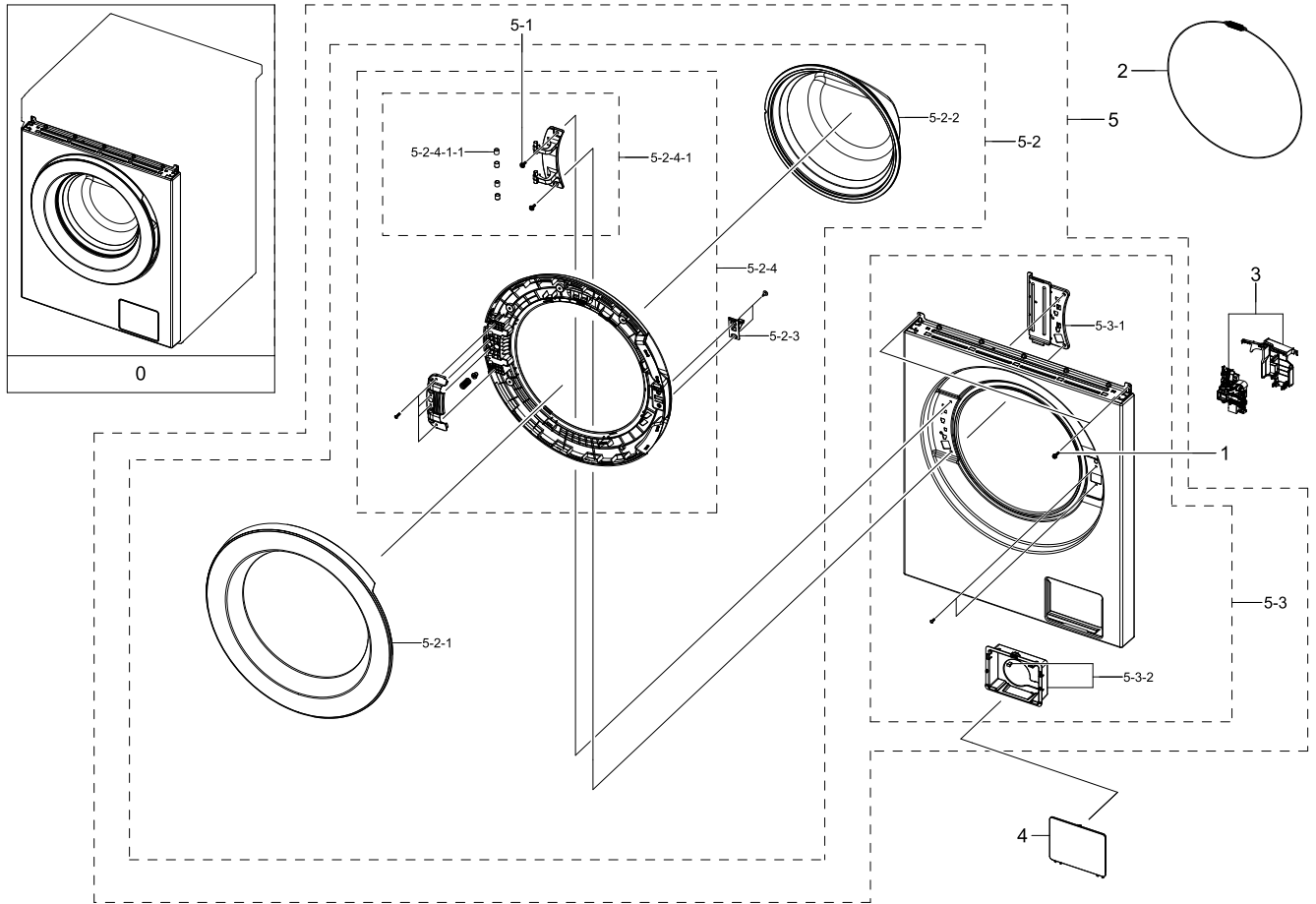
Exploded Views and Parts List

No.	Lvl.	Loc.	Material Code	Description & Specification	SNA	Qty.
2-9	2	W0601	DC97-14263A	ASSY BOLT; MOTOR/BOLT(M8)+WASHER(OD27.5),	SA	5
2-10	2	W0501	DC97-23443A	ASSY TUB BACK-MODULE; WW5000B	SA	1
2-10-1	3	W0148	DC62-00156A	SEAL OIL; TS85-PJT,NBR,-,-,BLACK,-,-	SNA	1
2-10-2	3	G0029	DC97-23444A	ASSY SEMI TUB BACK; WW5000B	SNA	1
2-10-2-1	4	WS0064	DC61-02549A	BUSH MOTOR; HEBA BIGBANG,PA66,NATURAL,KN3	SA	2
2-10-2-2	4	W0230	DC61-02874A	BRACKET HEATER; WD0704CQR,STS430,T0.5,-,-	SA	1
2-10-2-3	4	M0028	DC69-00824A	PACKING-THERMISTOR; GW-PJT,EPDM,-,-,W17,H	SA	1
3	1		DC90-30530A	ASSY DRUM PARTS; WW5000B,BIG CAPA,WASHER	SNA	1
3-1	2		DC60-00132A	WASHER-SPRING; -,STS304,T0.5,-,-,ID35.2	SA	1
3-2	2	W0165	DC97-23445A	ASSY DRUM; WW9000B,-	SA	1
3-2-1	3	WJ5081	DC60-40137A	BOLT HEX; MARS-PJT,STS430,-,L30,-,-,HEX	SA	6
3-2-2	3		DC66-00827B	DRUM LIFTER; WW9000B,PP+TD20%,-,T3,-,FC22	SA	3
3-2-3	3	W0164	DC97-23524A	ASSY FLANGE SHAFT; WW9000B,ASSEMBLED RING	SA	1
4	2	G0049	DC60-40144A	BOLT HEX; F500,SM10C,T10,L35,DAMPER	SA	2

4. Assy Front Parts

Assy Front Parts

Exploded View



Parts List

No.	Lvl.	Loc.	Material Code	Description & Specification	SNA	Qty.
0	1		DC90-30533B	ASSY FRONT PARTS; WW5000B,WHT BODY,FLAT B	SNA	1
1	2	W0105	6002-001438	SCREW-TAPPING; HWH,+,NO,1,M5,L12,ZPC(WHT)	SA	2
2	2	W0608	DC91-12078D	ASSY WIRE DIAPHRAGM; HEBA-PJT,-,-,-,-,-	SA	1
3	2		DC97-22289C	ASSY COVER DOOR SWITCH; WW6000T	SA	1
4	2		DC63-02850A	COVER FILTER; WF8000R,ABS,T2.5,HB,DA WHIT	SA	1
5	2	W0253	DC97-23461C	ASSY FRAME FRONT; B-PJT,WW9000B,T0.8,DA W	SNA	1
5-1	3	G0425	6009-001522	SCREW-HEX; HWH,+,M5,L16,PASS,STS304,FP,SE	SA	2
5-2	3	W0459	DC97-23145A	ASSY DOOR-MODULE; B-PJT,WW5000B,BASIC, FL	SA	1

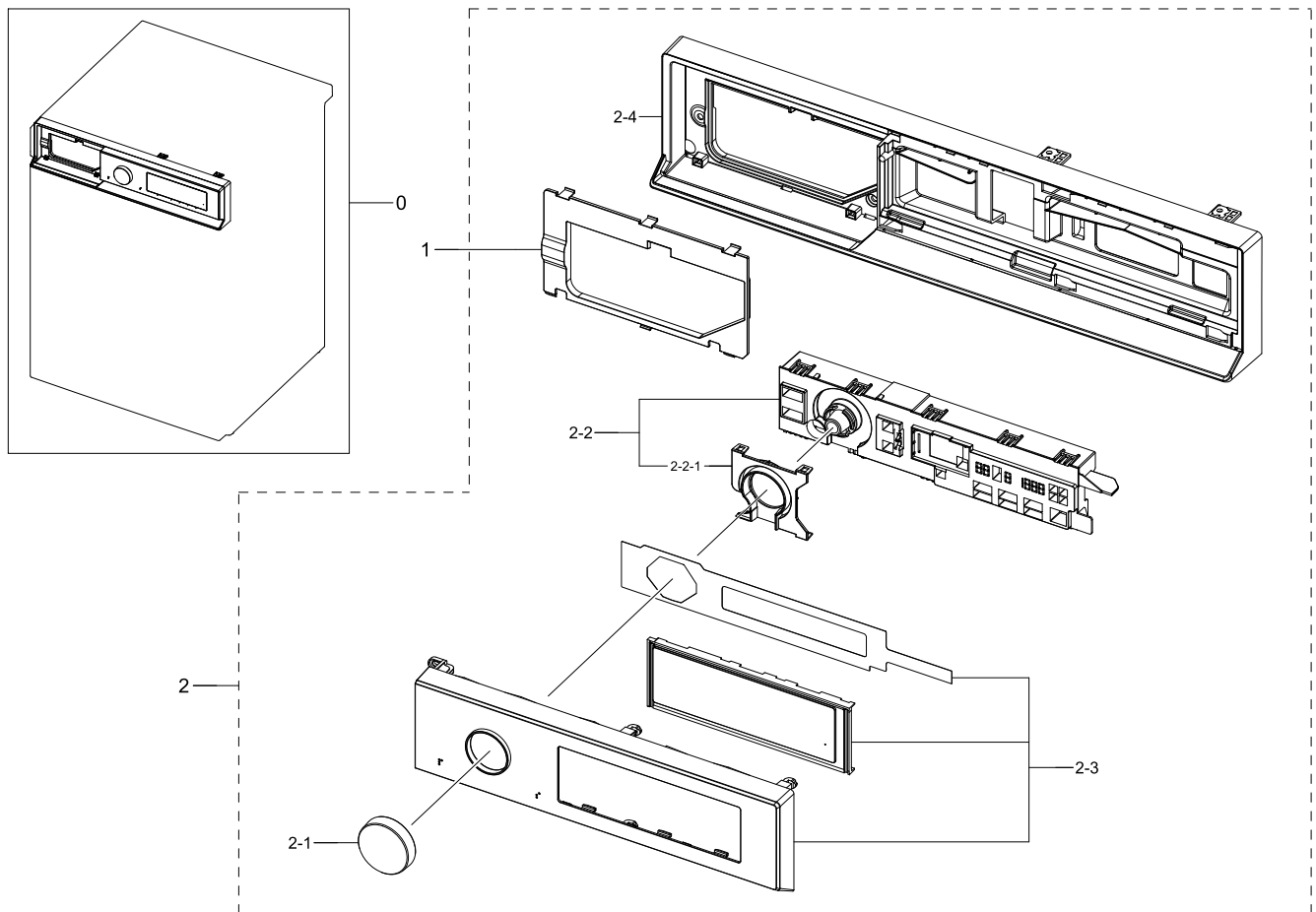
Exploded Views and Parts List

No.	Lvl.	Loc.	Material Code	Description & Specification	SNA	Qty.
5-2-1	4		DC63-02888A	COVER DOOR; WW5000B,ABS,T3,HB,EBONY BLACK	SNA	1
5-2-2	4	WD0070	DC64-01521A	DOOR GLASS; WF8804DP,GLASS,T5,-,-,NATURAL	SA	1
5-2-3	4	W0474	DC66-00375A	LEVER DOOR; 10KG DRUM, U-PJT,ZNDC,T2.5,NI	SA	1
5-2-4	4	W0454	DC97-23146A	ASSY HOLDER GLASS; B-PJT,WW5/9000B,NONADD	SNA	1
5-2-4-1	5		DC97-23112A	ASSY HINGE DOOR; SU-PJT,WW7100A,ALDC,Meta	SNA	1
5-2-4-1-1	6	WD0090	DC61-00891A	GUIDE HINGE; HAUZEN(DOM),POM,-,-,K300,NAT	SA	4
5-3	3		DC97-23187B	ASSY FRAME FRONT-MODULE; B-PJT,WW9000B,DA	SA	1
5-3-1	4	W0226	DC61-02584A	BRACKET HINGE; U-PJT,GI-SGCC,T1.4	SA	1
5-3-2	4		DC97-23188A	ASSY FILTER GUIDE; B-PJT,WW9000B,RECYCLE	SA	1

5. Assy Panel Control Parts

Assy Panel Control Parts

Exploded View



Parts List

No.	Lvl.	Loc.	Material Code	Description & Specification	SNA	Qty.
0	1		DC90-30638D	ASSY PANEL CONTROL PARTS; WW7000B,SIMPLE,	SNA	1
1	2		DC63-02886A	COVER SCREW; WW9000B,ABS,-,-,DA WHITE,-,H	SA	1
2	2		DC97-23520D	ASSY PANEL CONTROL-MODULE; B-PJT,WW7000B,	SNA	1
2-1	3		DC64-03921A	KNOB ENCODER; A1 SIMPLE,ABS,-,HB,NATURAL,	SA	1
2-2	3		DC92-02687X	ASSY PBA MODULE-DISPLAY; FWM_Touch Displa	SA	1
2-2-1	4		DC61-05508A	GUIDE COVER PCB; WW9000B,ABS,-,-,780,INNE	SNA	1

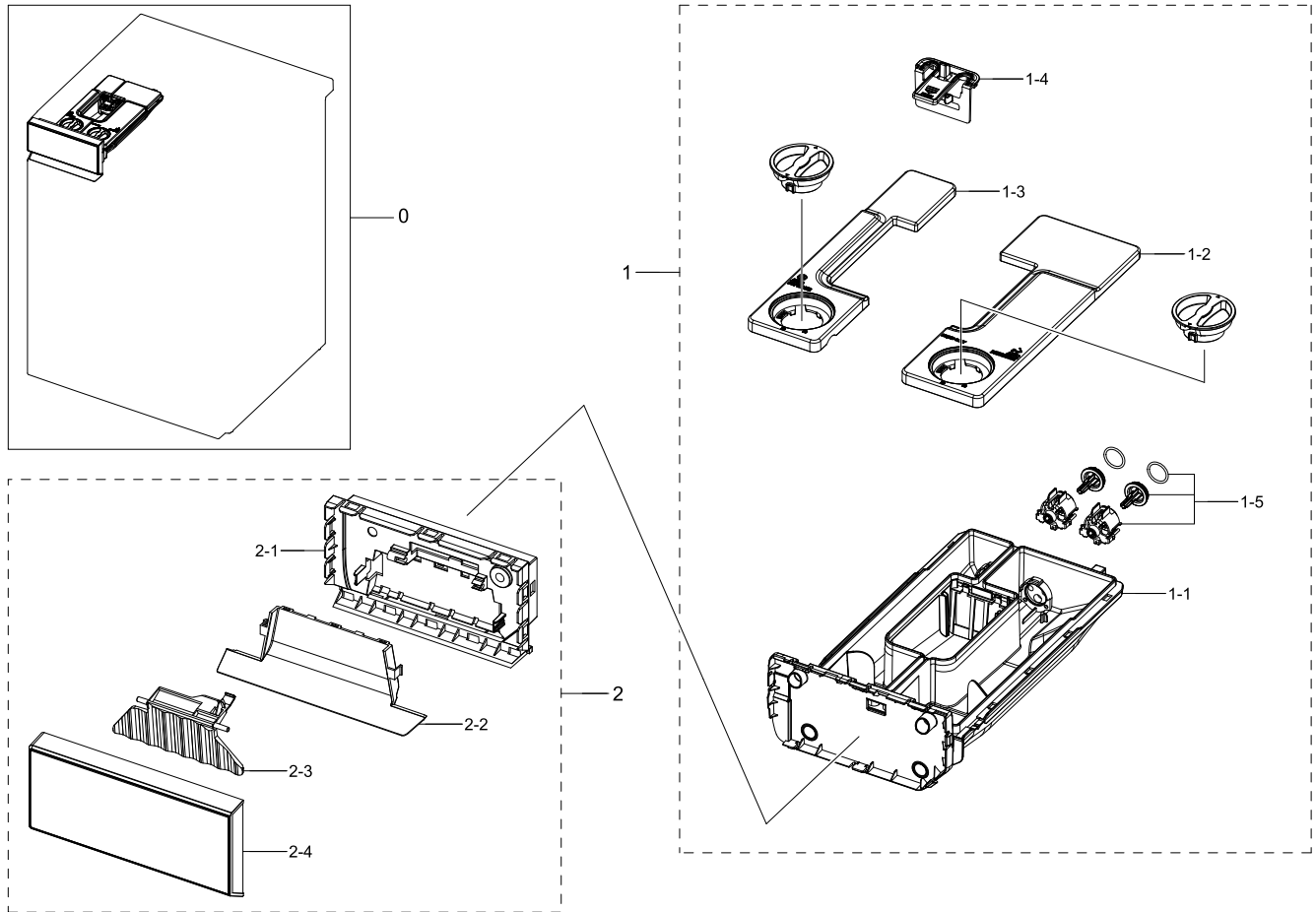
Exploded Views and Parts List

No.	Lvl.	Loc.	Material Code	Description & Specification	SNA	Qty.
2-3	3		DC97-23251C	ASSY COVER PANEL; WW7000B,FLAT,IML,BLACK+	SA	1
2-4	3	W0180	DC64-04118A	PANEL CONTROL; WW9000B,ABS,-,-,HG-0760CC,	SA	1

6. Assy Drawer-Module

Assy Drawer-Module

Exploded View



Parts List

No.	Lvl.	Loc.	Material Code	Description & Specification	SNA	Qty.
1	3	W0216	DC97-23338A	ASSY DRAWER; WW9400B,AOW	SA	1
1-1	4		DC61-05580A	BODY DRAWER; WW9400B,PP+TD30%,-,DA WHITE,	SNA	1
1-2	4		DC63-02940A	COVER DETERGENT; WW9400B,LDPE,T2.5,-,HYGI	SNA	1
1-3	4		DC63-02941A	COVER RINSE; WW9400B,LDPE,T2.5,-,HYGIENE	SNA	1
1-4	4		DC67-00928A	CAP GUIDE WATER; WW8800M,PP+TD30%,MT43,HO	SA	1
1-5	4		DC97-23141C	ASSY CAP V.W; WF8000CK,WF25CB8695BK	SA	2
2	3	W0158	DC97-23348J	ASSY PANEL DRAWER; B-PJT,WW5300B,AD,WHITE	SNA	1
2-1	4		DC64-04123B	HANDLE DRAWER; WW9000B,ABS,-,HG-0760GP,-,	SNA	1

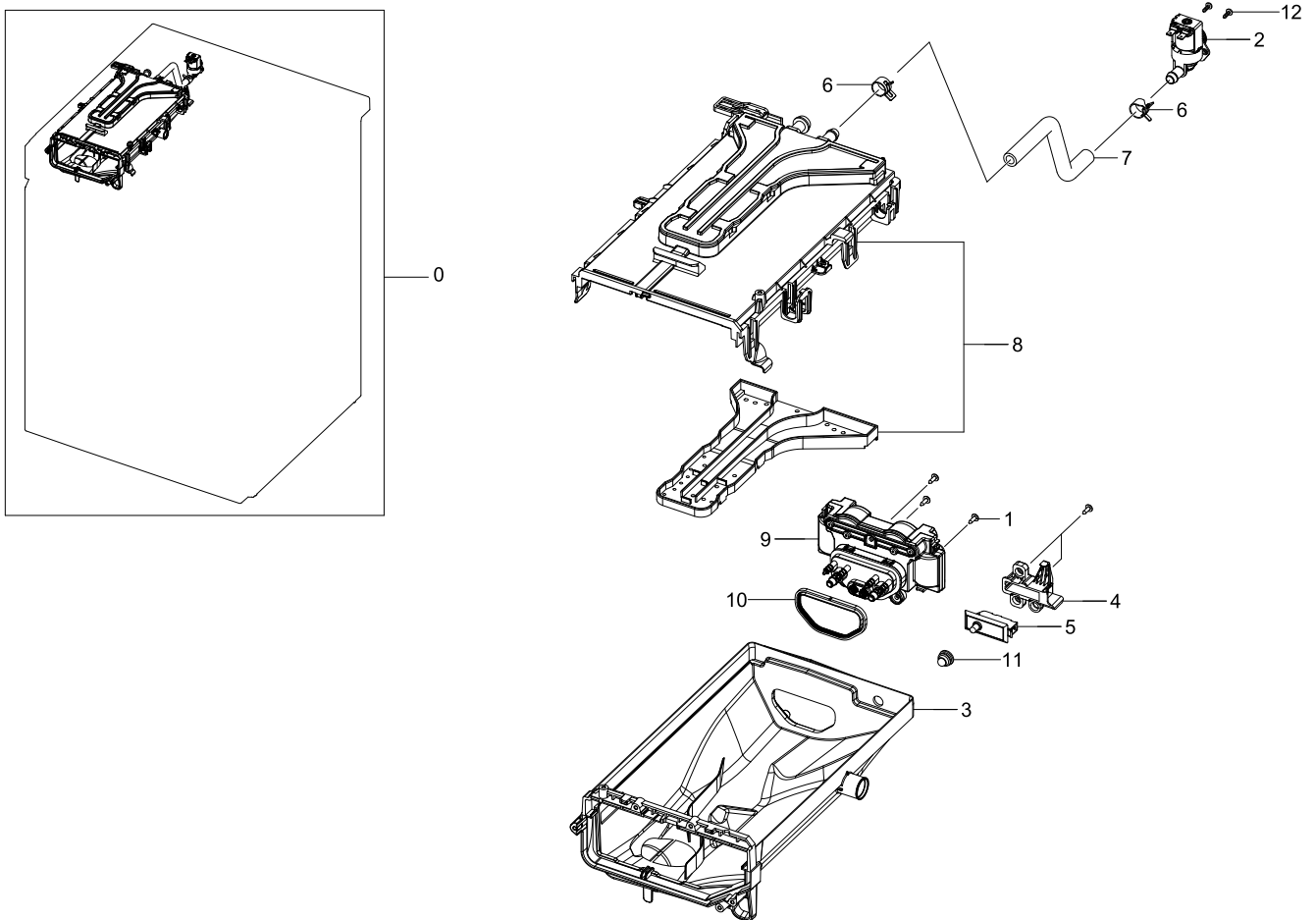
Exploded Views and Parts List

No.	Lvl.	Loc.	Material Code	Description & Specification	SNA	Qty.
2-2	4		DC64-04124A	DECORATION HANDLE; WW9000B,ABS,-,DA WHITE	SNA	1
2-3	4		DC66-01098A	LEVER; WW9000B,POM,-,K300,NATURAL,-,NC000	SNA	1
2-4	4		DC64-04122F	PANEL DRAWER; WW5000B,ABS,-,HG-0760GPE	SNA	1

7. Assy Housing Drawer-Module

Assy Housing Drawer-Module

Exploded View



Parts List

No.	Lvl.	Loc.	Material Code	Description & Specification	SNA	Qty.
0	2	W0163	DC97-23337B	ASSY HOUSING DRAWER; B-PJT,AOW,NO S/S	SA	1
1	3	WX0622	6002-001306	SCREW-TAPPING; SWRCH18A,ZPC(WHT),L14,M4,T	SNA	5
2	3		DC33-01007B	VALVE WATER; DC12V,Bracket,mm,#250,1,1,11	SA	1
3	3		DC61-05577A	HOUSING DRAWER-LOW; WW9400B,PP+TD30%,T2,N	SA	1
4	3		DC63-02160A	COVER DOOR SWITCH; WW10M86DQOO/EU,PP,NATU	SA	1
5	3		DC64-00828H	SWITCH DOOR; AC125/250V,0.75-1.5A,1BUTTON	SA	1
6	3	W0615	DC65-00008A	CLAMPER HOSE; SEW-DR605,SK5,-,-,-,ID14.	SA	2
7	3		DC67-00949A	HOSE DRAWER; WW10M86DQOA/EU,EPDM,ID9,HS65	SA	1
8	3	W0497	DC97-22239E	ASSY S.HOUSING DRAWER; U-PJT,WW7000T,PP	SA	1

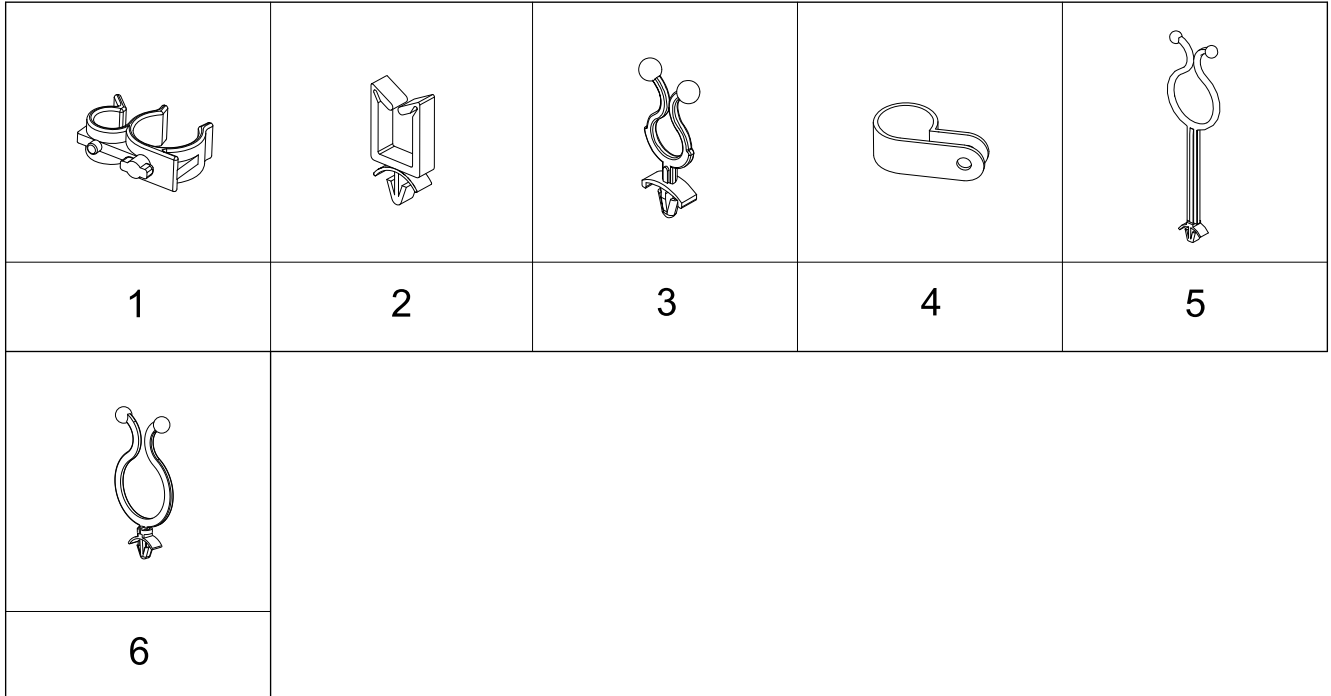
Exploded Views and Parts List

No.	Lvl.	Loc.	Material Code	Description & Specification	SNA	Qty.
9	3	W0194	DC97-23140A	ASSY PUMP DRAIN; SU-PJT,WW7100A,DC12V	SA	1
10	3		DC62-00831A	SEAL; WW7100A,Si,-,-,BLACK,-,Hs50	SA	1
11	3		DC62-00559A	SEAL RUBBER; WW10M86DQOO/EU,Si,-,-,-,-,	SA	1
12	2	F0055	6003-000226	SCREW-TAPTYPE; SWRCH18A,ZPC(WHT),L8,M4,TH	SC	2

8. Small Parts

Small Parts

Exploded View



Parts List

No.	Lvl.	Loc.	Material Code	Description & Specification	SNA	Qty.
1	2	W0615	DC61-00133D	CLAMPER HOSE; WW80T554,PP,BLACK,-,-,SSPP-	SNA	2
2	2	M0001	DC61-00553B	CABLE CLAMP; DAWS-3NE,PA66,NTR	SA	2
3	2		6502-000127	CABLE CLAMP; DAWH-18NB,PA66,NTR	SA	1
4	2		DC65-20010A	CABLE CLAMP; DA-9N-1,NYLON66,NTR	SNA	1
5	2	WI0293	DC61-00995C	HOLDER WIRE; HEBA-PJT,PA66,-,NATURAL,-,-,	SA	1
6	2	W0623	DC61-40083A	HOLDER WIRE; DAWH-3ND,PA66,-,NATURAL,-,-,	SA	1