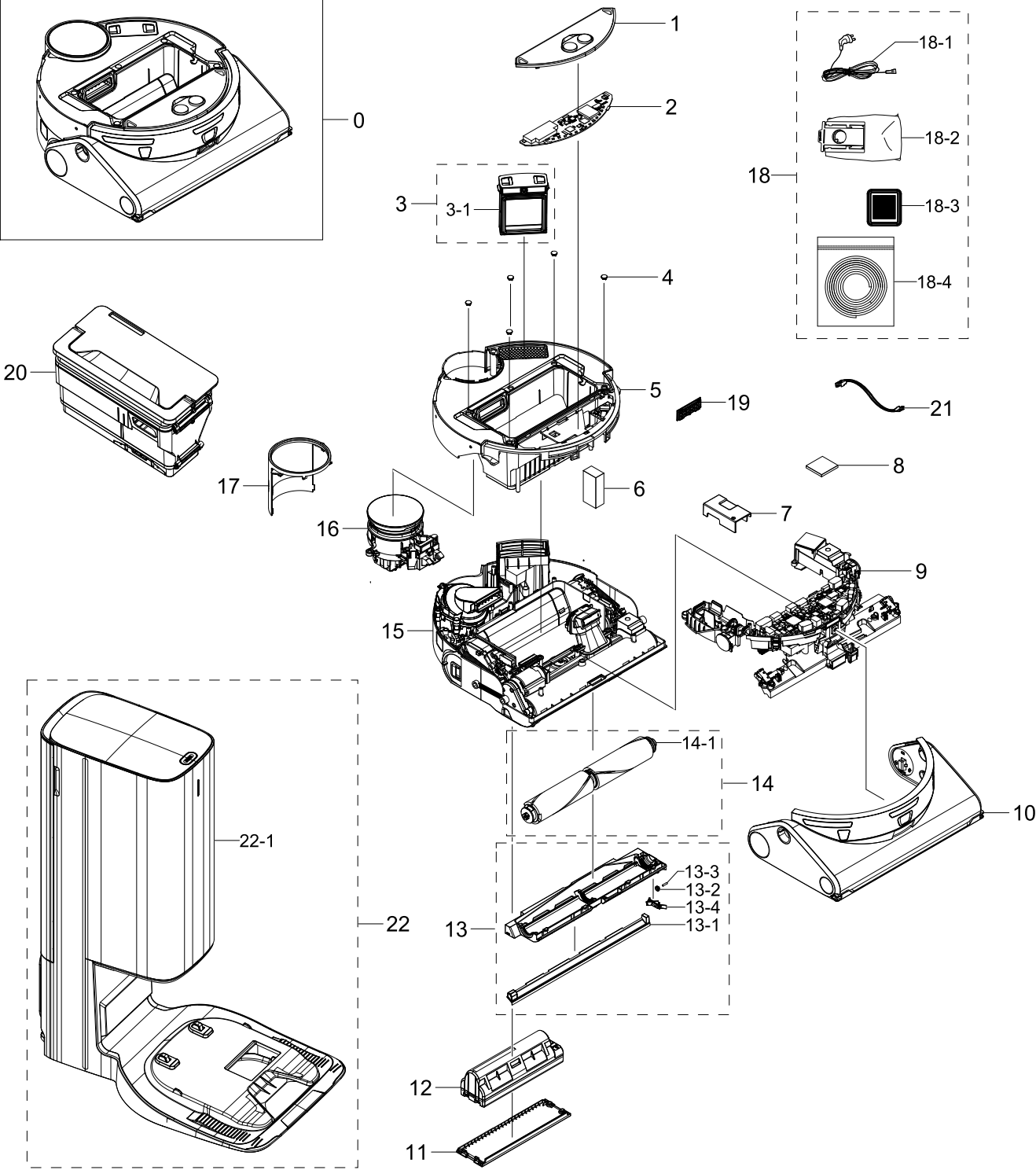


# 1. Assy Body

Assy Body

Exploded View



## Parts List

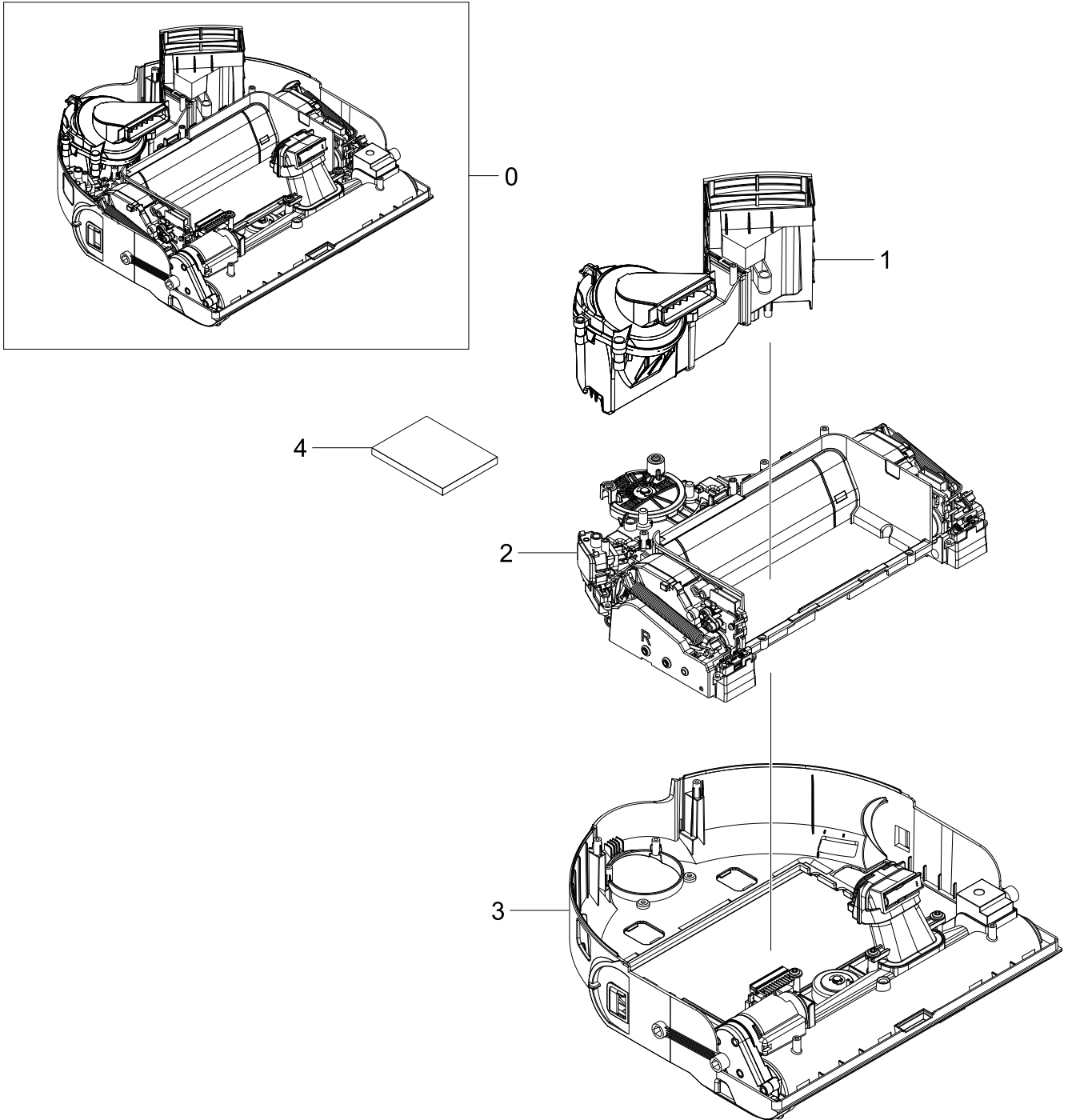
No.	Lvl.	Loc.	Material Code	Description & Specification	SNA	Qty.
0	2	RB001	DJ97-02988D	ASSY BODY; VR9500T,MOVING PLATORM,EUROPE	SNA	1
1	3	RB025	DJ97-02950A	ASSY COVER DISPLAY; VR9500T,MAGNET,WHITE	SA	1
2	3		DJ92-00189C	ASSY MICOM-DISPLAY; DISPLAY(C1W14-LED, 2-	SA	1
3	3		DJ97-02956A	ASSY FILTER; VR9500,HEPA,14 GRADE	SA	1
3-1	4		DJ97-02955A	ASSY CASE FILTER; VR9500,No	SA	1
4	3		DJ67-00859A	CAP COVER; VR9500R,TPV,W8.7,HB,TPV-45VSH-	SA	5
5	3	RB009	DJ97-02981B	ASSY BODY MID; VR9500T,USA, SmartThings	SNA	1
6	3		DJ63-01832A	ABSORBER ETC; VR9500T,PU FOAM,T15,W32,L55	SA	1
7	3		DJ61-02809A	GUIDE-PLATE; VR9500T,METAL POWDER,T1.5,L6	SA	1
8	3		DJ63-01901A	GASKET; VR9500T,PU FOAM,T5,W30,L30,BLACK,	SNA	1
9	3		DJ97-02994F	ASSY CASE SENSOR; VR9500,No,ASSY CASE SEN	SA	1
10	3	RB004	DJ97-02980A	ASSY BODY BUMPER; VR9500,PRINTING	SA	1
11	3		DJ63-01708A	COVER BATTERY; VR9500R,PC+ABS,T1.8,L185.5	SA	1
12	3		DJ96-00234A	ASSY BATTERY LI IB; Li-ion,21.6V,3800mAh,	SA	1
13	3	RL008	DJ97-02848A	ASSY COVER DRUM; VR9500T,SOFT BRUSH	SA	1
13-1	4		DJ62-00477A	NOZZLE BRUSH; VR9500T,HNBR,T2,DARK GRAY,H	SA	1
13-2	4		DJ66-00746A	ROLLER; HB300,POM,BLACK	SA	3
13-3	4		DJ66-00776A	SHAFT ROLLER; VR7000M,STS303,L8,OD2.9,T2.	SA	1
13-4	4		DJ67-00873A	BRUSH ETC; VR9500T,HNBR,HARDNESS 70,DARK	SA	1
14	3		DJ97-02849A	ASSY DRUM BRUSH; VR9500T,SOFT BRUSH	SA	1
14-1	4		DJ67-00842A	CAP ETC; VR7200R,EPDM,T1.5,HB,EPDM, HRC80	SA	1
15	3	RB034	DJ97-03082A	ASSY FRAME; VR9500T,Moving Platform, ASSY	SNA	1
16	3		DJ97-02979A	ASSY CASE SENSOR; VR9500,No,LiDAR	SA	1
17	3		DJ97-02952A	ASSY COVER; VR9500T,Clear Gray	SA	1
18	2		DJ98-01190D	ASSY ACCESSORY; VR9500T,FILTER, DUST BAG,	SNA	1
18-1	3		3903-001285	POWER CORD-DT; EUR,2P-S,250V,10A,BLK,L150	SA	1
18-2	3		DJ67-00878A	BAG DUST MICRO; ABS/POLYESTER,W140,L100,H	SA	1

No.	Lvl.	Loc.	Material Code	Description & Specification	SNA	Qty.
18-3	3		DJ97-02916A	ASSY FILTER; VR9500R,MICRO	SA	1
18-4	3	RA026	DJ97-00635C	ASSY MAGNET; VR9500T,ASSY MAGNET,MAGNET-R	SA	1
19	2		DJ67-00861A	CAP MID; VR9500R,LDPE,T1.5,MB9500,NATURAL	SA	1
20	1		DJ97-02918A	ASSY CASE CYCLONE; VR9500R,DARK GLASS,Bag	SA	1
21	3		DJ39-00368A	WIRE HARNESS-PBA; 20P,UL20941,-,VR9500T,V	SA	1
22	2		DJ98-01188E	ASSY ACCESSORY; VR9500T,CLEAN STATION,MIS	SNA	1
22-1	3		DJ96-00238L	ASSY CLEANER N CHARGER; VR9500T,MISTY WHI	SNA	1

## 2. Assy Frame

Assy Frame

Exploded View



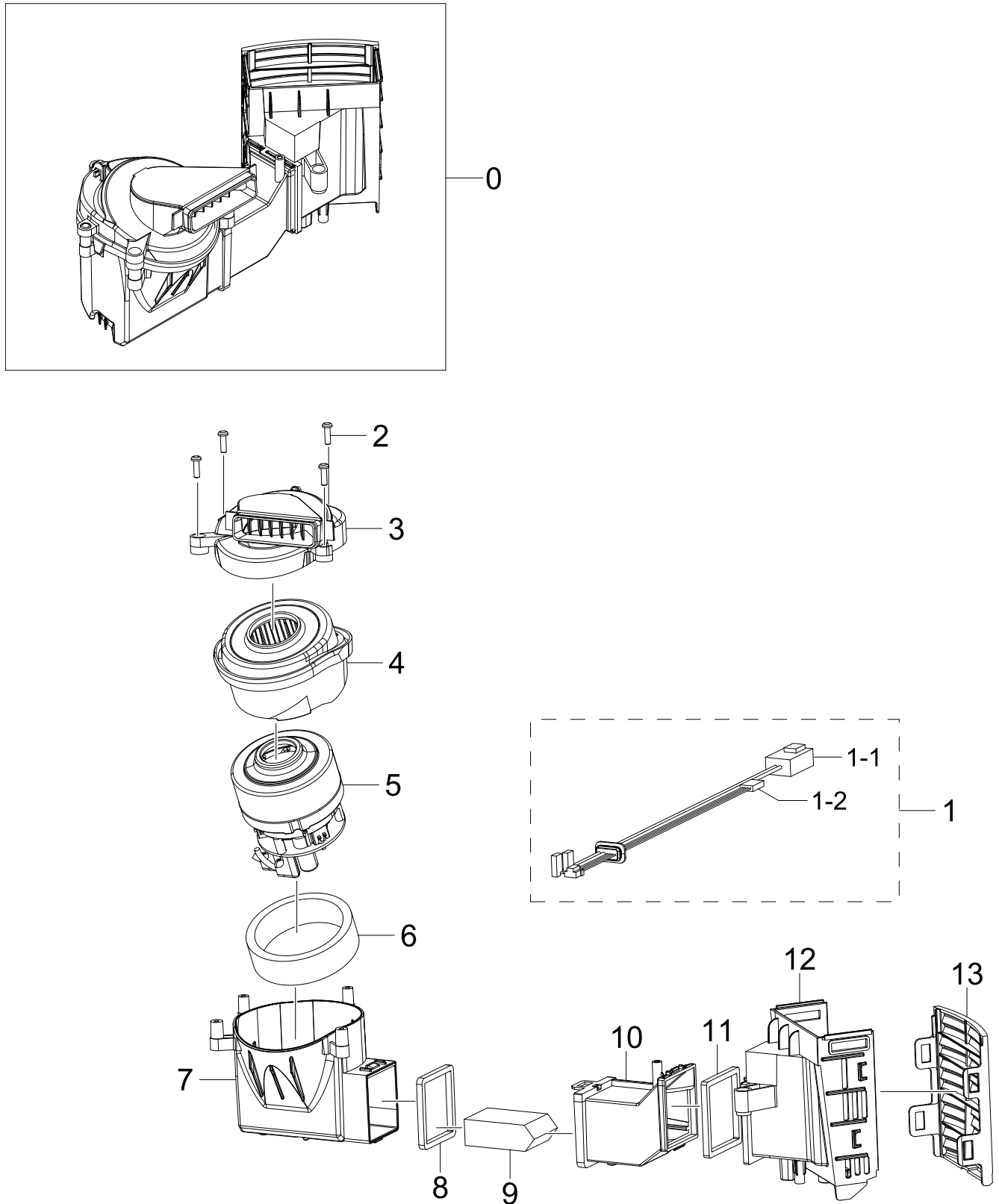
**Parts List**

No.	Lvl.	Loc.	Material Code	Description & Specification	SNA	Qty.
0	3	RB034	DJ97-03082A	ASSY FRAME; VR9500T,Moving Platform, ASSY	SNA	1
1	4		DJ94-01008A	ASSY MOTOR PARTS; VR9500,BLDC	SNA	1
2	4	RB034	DJ97-02987A	ASSY FRAME; VR9500R,EBONY BLACK,FRAME BOD	SNA	1
3	4	RB002	DJ97-02954A	ASSY BODY BASE; VR9500	SNA	1
4	4		DJ63-00508E	FILTER-SAFETY; SC9150,T5,W80,L60,ADHESIVE	SA	1

### 3. Assy Motor Parts

#### Assy Motor Parts

#### Exploded View



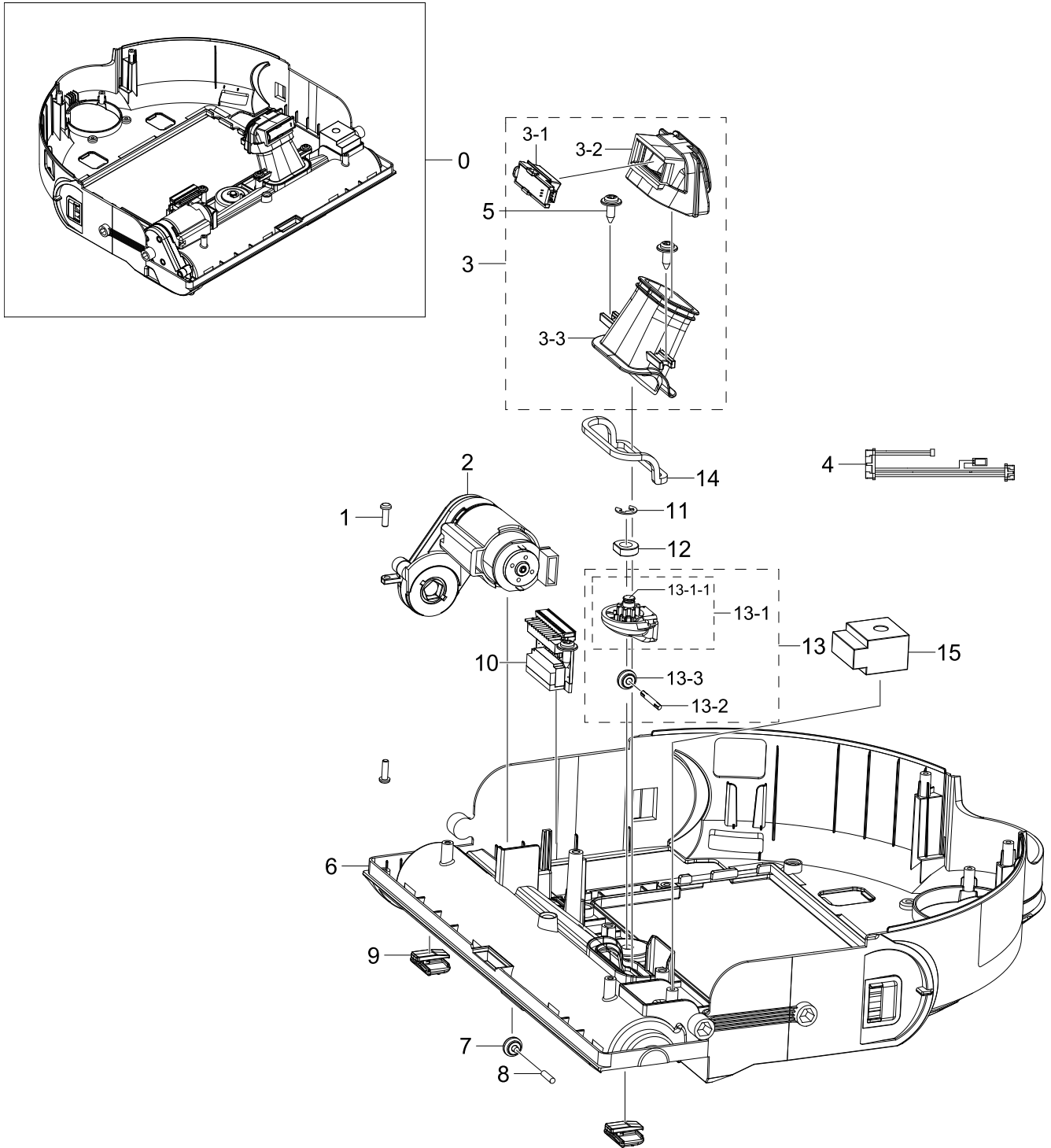
**Parts List**

No.	Lvl.	Loc.	Material Code	Description & Specification	SNA	Qty.
0	4		DJ94-01008A	ASSY MOTOR PARTS; VR9500,BLDC	SNA	1
1	5		DJ97-03081A	ASSY GASKET; VR9500T,ASSY GASKET	SA	1
1-1	6		DJ39-00317A	WIRE HARNESS-MOTOR; 4P,SUCTION MOTOR SIGN	SA	1
1-2	6		DJ39-00318A	WIRE HARNESS-MOTOR; 2P,SUCTION MOTOR POWE	SA	1
2	5	RV005	6002-000462	SCREW-TAPPING; PH,+,2,M3,L10,ZPC(WHT),SWR	SNA	4
3	5	RJ007	DJ97-02957A	ASSY CASE MOTOR UP; VR9500,No	SA	1
4	5		DJ63-01715A	GASKET CASE MOTOR; VR9500R,TPE,SIE A 2711	SA	1
5	5		DJ31-00171A	MOTOR BLDC FAN; W5860b,75000rpm,21.6V,7A,	SA	1
6	5		DJ63-01818A	SPONGE ETC; VR9500T,PU FOAM,T5,W17,L170	SA	1
7	5	RJ022	DJ61-02650A	CASE MOTOR-LOW; VR9500R,PC,BLACK,3022R,MO	SA	1
8	5		DJ63-01810A	GASKET ETC; VR9500,EPDM,-,T3,W38,L43.5,BL	SA	1
9	5		DJ63-01819A	SPONGE ETC; VR9500T,PU FOAM,T15,W27,L44	SA	1
10	5		DJ67-00874A	DUCT OUTLET; VR9500T,ABS,HB,CNTK A-204,IN	SA	1
11	5		DJ63-01809A	GASKET ETC; VR9500,EPDM,-,T3.5,W35.8,L40.	SA	1
12	5		DJ67-00849A	DUCT MOTOR; VR9500R,ABS,HB,HG-0760GP,EBON	SA	1
13	5		DJ61-02630A	HOLDER OUTLET; VR9500R,ABS,L-,D-,CLEAR GR	SA	1

# 4. Assy Body Base

## Assy Body Base

### Exploded View





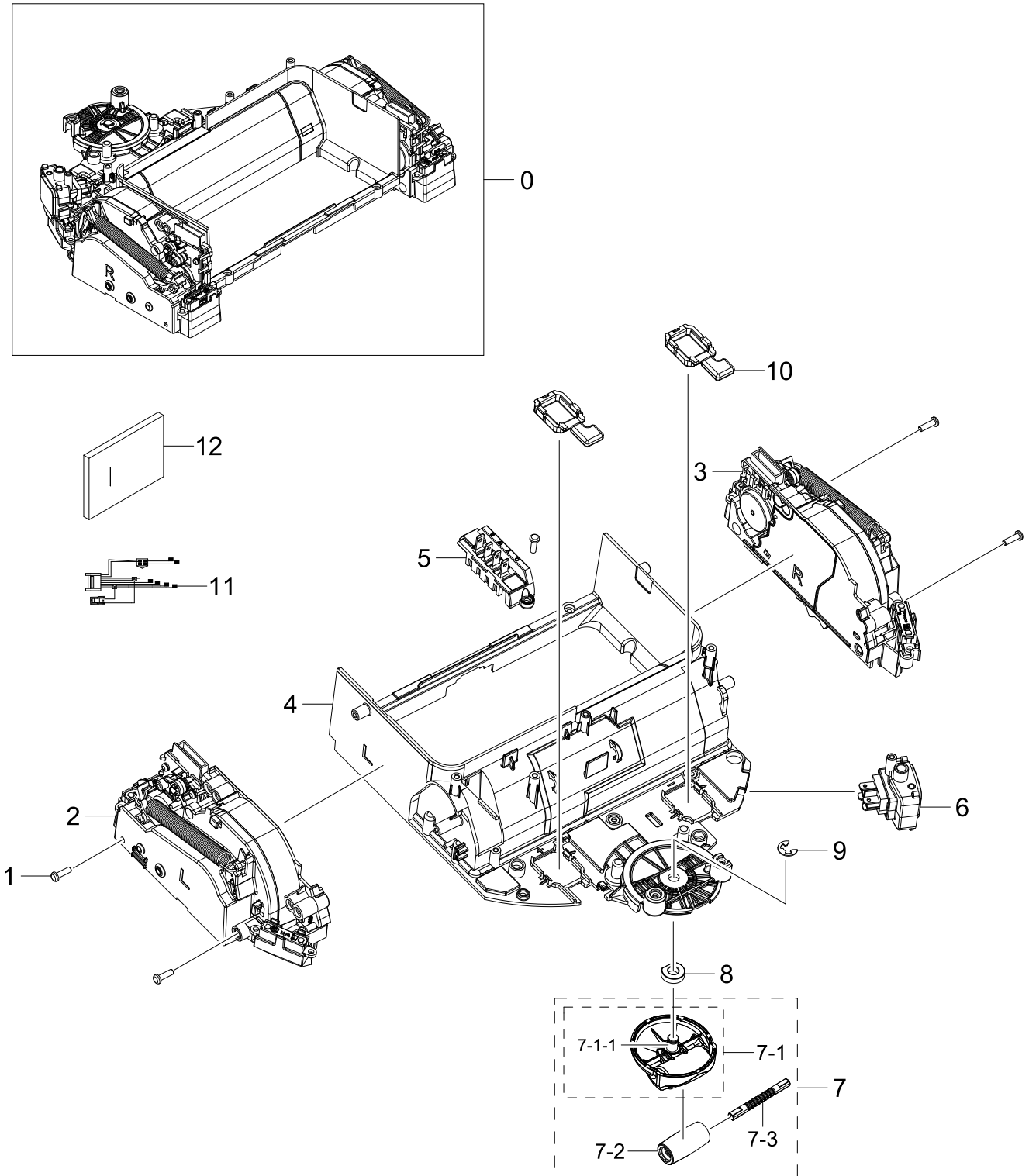
## Parts List

No.	Lvl.	Loc.	Material Code	Description & Specification	SNA	Qty.
0	4	RB002	DJ97-02954A	ASSY BODY BASE; VR9500	SNA	1
1	5	RV005	6003-000159	SCREW-TAPTYPE; PH,+,B,M3,L10,ZPC(BLK),SWR	SNA	1
2	5		DJ97-02846A	ASSY CASE DRUM; VR9500T	SA	1
3	5	RB033	DJ97-02969A	ASSY DUCT INLET; VR9500	SA	1
3-1	6	RB026	DJ97-02986A	ASSY COVER DUST; VR9500,DUST SENSOR	SA	1
3-2	6		DJ63-01735A	GASKET DUCT; VR9500,PVC,T1.5,L41.6,BLACK,	SNA	1
3-3	6		DJ62-00492A	PIPE CONNECTOR; VR9500T,ABS,ID36.6,OD40.6	SNA	1
4	5		DJ39-00306A	WIRE HARNESS-PBA; 12P,DRUM ASSY,DUST DETE	SA	1
5	5	RV005	6002-001327	SCREW-TAPPING; PWH,+,1,M4,L12,ZPC(WHT),SW	SNA	3
6	5	RB002	DJ97-03086A	ASSY BODY BASE; VR9500T,MISTY WHITE,Servi	SA	1
7	5		DJ66-00746A	ROLLER; HB300,POM,BLACK	SA	1
8	5		DJ66-00776A	SHAFT ROLLER; VR7000M,STS303,L8,OD2.9,T2.	SA	1
9	5		DJ61-02239A	FIXER BRUSH; VR9000H,ABS,YELLOW HALO,HB,H	SA	2
10	5		DJ92-00204A	ASSY MODULE; PBA SUB BRUSH,VR8000T,DRUM,	SA	1
11	5	RP371	6044-000227	RING-E; ID5.0,OD11,T0.6,BLUEING,STC5	SNA	2
12	5		6601-002356	BEARING-OILLESS; ID6,OD13,L3.9,SBF1118,WH	SNA	1
13	5	RL140	DJ97-02953A	ASSY CASTER; BODY BASE,VR9500	SA	1
13-1	6		DJ61-02814A	HOLDER BACK; VR9500T,PA66+GF30%,T2,L26,BL	SA	1
13-1-1	7		DJ66-00888A	SHAFT ROLLER; VR9500,SM45C,L13.5,OD6	SA	2
13-2	6		DJ66-00836A	SHAFT ROLLER; VS9000RL,MSWR,L20.4,OD3.9,D	SA	1
13-3	6	RP107	DJ66-70163A	ASSY ROLLER BRUSH; BRUSH,VC6200,SUB GRY,O	SA	1
14	5		DJ63-01808A	GASKET ETC; VR9500,EPDM,-,T3,W54.6,L37.1,	SNA	1
15	5		DJ67-00882A	WEIGHT BALANCE; VR9500T,BRASS,T19,L25.6,c	SA	1

# 5. Assy Frame\_2

Assy Frame\_2

Exploded View



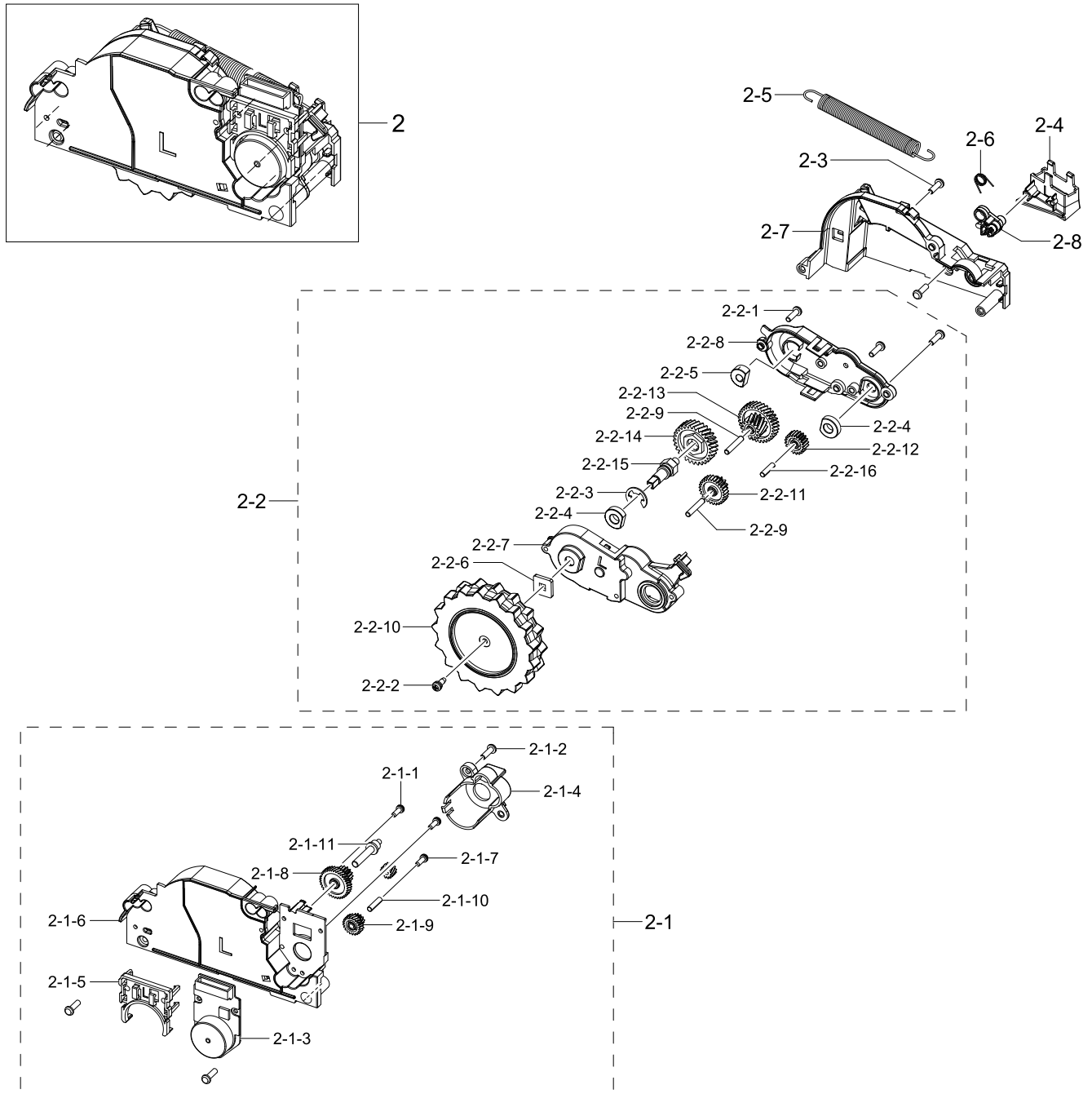
## Parts List

No.	Lvl.	Loc.	Material Code	Description & Specification	SNA	Qty.
0	4	RB034	DJ97-02987A	ASSY FRAME; VR9500R,EBONY BLACK,FRAME BOD	SNA	1
1	5	RV005	6002-000462	SCREW-TAPPING; PH,+,2,M3,L10,ZPC(WHT),SWR	SNA	5
2	5	RB045	DJ97-02984A	ASSY WHEEL DRIVING L; VR9500T,SENSOR PHOT	SA	1
3	5	RB046	DJ97-02982A	ASSY WHEEL DRIVING R; VR9500T,SENSOR PHOT	SA	1
4	5		DJ61-02678A	FRAME; VR9500R,ABS,EBONY BLACK,T2,W174,VE	SA	1
5	5		DJ97-02989A	ASSY HOLDER TERMINAL; VR9500R,BATTERY	SA	1
6	5		DJ61-02636A	HOLDER BUTTON; VR9500R,PC,T1.5,L36,BLACK,	SNA	1
7	5		DJ97-02967A	ASSY HOLDER ROLLER; VR9500R	SA	1
7-1	6		DJ61-02645A	HOLDER BACK; VR9500,PA66+GF30%,L47.5,BLAC	SA	1
7-1-1	7		DJ66-00888A	SHAFT ROLLER; VR9500,SM45C,L13.5,OD6	SA	2
7-2	6		DJ66-00869A	ROLLER-OUT; VR9500,TPEE,OD12.6,BLACK	SA	1
7-3	6		DJ66-00874A	SHAFT ROLLER; VR9500,PA66+GF30%,L36,OD3.9	SA	1
8	5		6601-002356	BEARING-OILLESS; ID6,OD13,L3.9,SBF1118,WH	SNA	1
9	5	RP371	6044-000227	RING-E; ID5.0,OD11,T0.6,BLUEING,STC5	SNA	2
10	5		DJ97-02995A	ASSY PLATE; VR9500,ASSY CHARGER,CHARGER P	SA	2
11	5	RJ109	DJ39-00307A	WIRE HARNESS-POWER; 8P,POWER SW,CHARGER,B	SA	1
12	5		DJ63-00508C	FILTER-SAFETY; VC-DOM,T5,W50,L50,BLACK,NO	SA	1

# 6. Assy Wheel Driving L

## Assy Wheel Driving L

### Exploded View



## Parts List

No.	Lvl.	Loc.	Material Code	Description & Specification	SNA	Qty.
2	5	RB045	DJ97-02984A	ASSY WHEEL DRIVING L; VR9500T,SENSOR PHOT	SA	1
2-1	6	RL005	DJ97-02966A	ASSY CASE; VR9500T,ASSY CASE-WHEEL LEFT	SNA	1
2-1-1	7	RV005	6003-000159	SCREW-TAPTTYPE; PH,+,B,M3,L10,ZPC(BLK),SWR	SNA	1
2-1-2	7	RV005	6006-000112	SCREW-MACHINE; PH,+,WS,M2.6,L8,ZPC(WHT),S	SNA	3
2-1-3	7		DJ31-00173A	MOTOR BLDC; BML5D01BB3,3500rpm,21.6V,0.5A	SNA	1
2-1-4	7		DJ61-02640A	HOLDER PIVOT-LEFT; VR9500,PC,L31,BLACK,V-	SNA	1
2-1-5	7		DJ61-02644A	HOLDER MOTOR; VR9500,PC,L32.5,BLACK,V-2,3	SNA	1
2-1-6	7		DJ61-02659A	CASE WHEEL-LEFT; VR9500,PC,BLACK,3022R	SNA	1
2-1-7	7		DJ66-00845A	GEAR PINION; VR9500,PK,NATURAL,OD8.22,M33	SNA	1
2-1-8	7		DJ66-00846A	GEAR B; VR9500,POM,NATURAL,OD19.75,F20-03	SNA	1
2-1-9	7		DJ66-00852A	GEAR A; VR9500,POM,NATURAL,OD12.16,F20-03	SNA	1
2-1-10	7		DJ66-00890A	SHAFT GEAR BOX; VR9500T,STS303,L12.1,OD3,	SNA	1
2-1-11	7		DJ66-00891A	SHAFT GEAR BOX; VR9500T,STS303,L27.9,OD7.	SNA	1
2-2	6		DJ97-03001A	ASSY GEAR; VR9500, VR8000,ASSY GEAR BOX-L	SNA	1
2-2-1	7	RV005	6003-000159	SCREW-TAPTTYPE; PH,+,B,M3,L10,ZPC(BLK),SWR	SNA	3
2-2-2	7	RV005	6006-000130	SCREW-MACHINE; SWRCH18A,ZPC(WHT),L8,M3,PH	SNA	1
2-2-3	7		6044-000298	RING-E; ID7.0,OD14,T0.8,BLUING(BLK),ST	SNA	1
2-2-4	7		6601-002356	BEARING-OILLESS; ID6,OD13,L3.9,SBF1118,WH	SNA	2
2-2-5	7		6601-002357	BEARING-OILLESS; ID4.5,OD12,L5.2,SBF1218,	SNA	1
2-2-6	7		DJ61-02258A	FIXER SHAFT; VR9000H,CR-SPCC,T2	SNA	1
2-2-7	7		DJ61-02680A	BASE GEAR BOX-LEFT; VR9500,PC,BLACK,3022R	SNA	1
2-2-8	7		DJ63-01704A	COVER GEAR BOX-LEFT; VR9500,PC,BLACK,3022	SNA	1
2-2-9	7		DJ66-00739A	SHAFT GEAR BOX; VR9000H,STS304,L17,OD3.0,	SNA	2

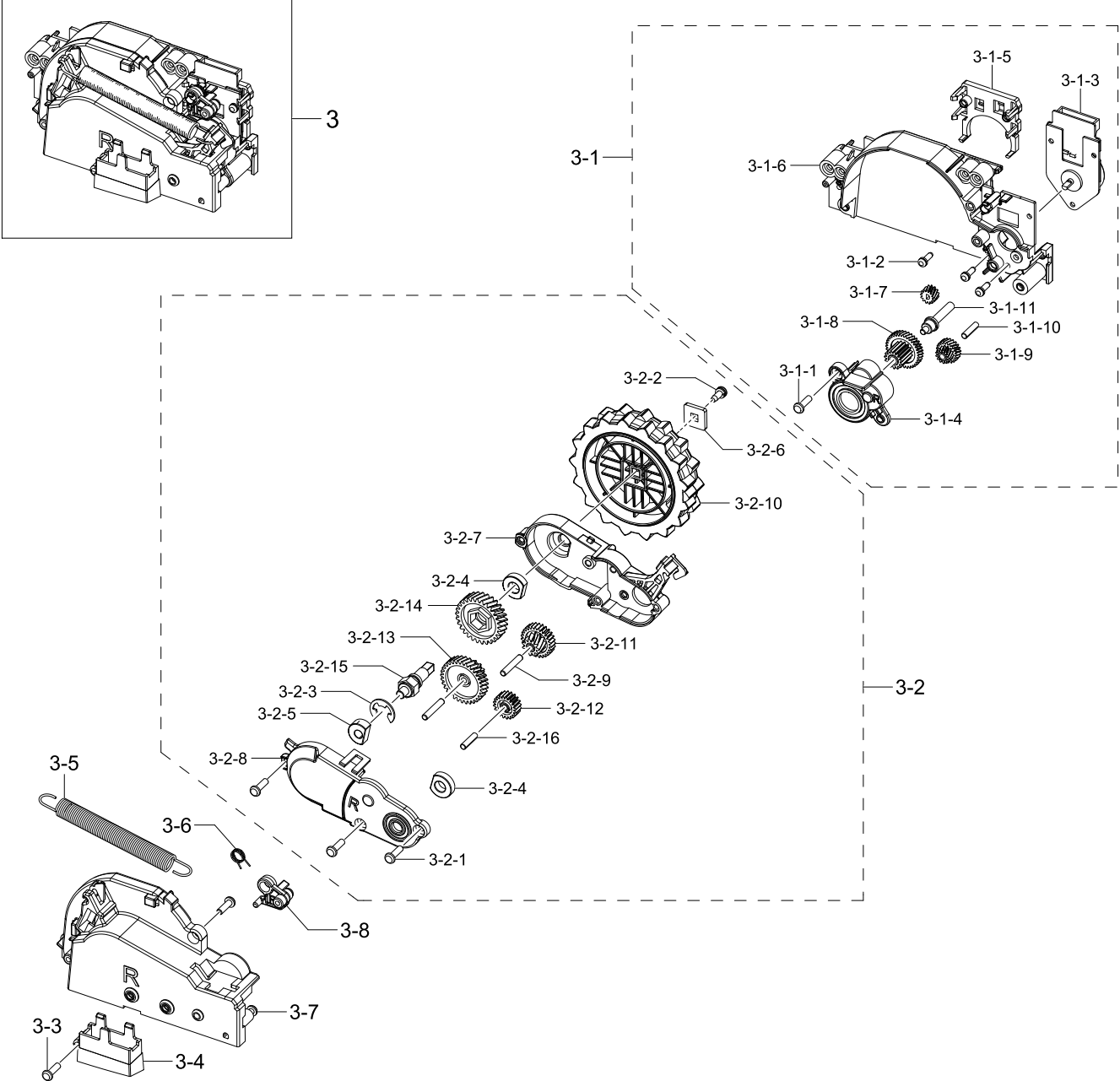
Exploded Views and Parts List

No.	Lvl.	Loc.	Material Code	Description & Specification	SNA	Qty.
2-2-10	7		DJ66-00844A	WHEEL-OUT; VR9500,TPE,OD70,CS1160,NEUTRAL	SNA	1
2-2-11	7		DJ66-00847A	GEAR C; VR9500,POM,NATURAL,OD17.76,F20-03	SNA	1
2-2-12	7		DJ66-00848A	GEAR IDLE; VR9500,POM,NATURAL,OD13.38,F20	SNA	1
2-2-13	7		DJ66-00849A	GEAR MID; VR9500,PA46+GF30%,BLACK,OD24.82	SNA	1
2-2-14	7		DJ66-00850A	GEAR MAIN; VR9500,PA46+GF30%,BLACK,OD26.4	SNA	1
2-2-15	7		DJ66-00889A	SHAFT WHEEL; VR9500T,SUM24L,L29.55,D5.95,	SNA	1
2-2-16	7		DJ66-00890A	SHAFT GEAR BOX; VR9500T,STS303,L12.1,OD3,	SNA	1
2-3	6	RV005	6003-000159	SCREW-TAPTYPE; PH,+,B,M3,L10,ZPC(BLK),SWR	SNA	4
2-4	6		DJ61-02798A	HOLDER TURRET; VR9500,ABS,L42.1,EBONY BLA	SNA	1
2-5	6		DJ61-02854A	SPRING ETC COIL; VR9500,HSWR,ID7.3,OD9.3,	SNA	1
2-6	6		DJ61-02856A	SPRING ETC COIL; VR9500,VR8000,HSWR,ID6.5	SNA	1
2-7	6		DJ63-01706A	COVER WHEEL-LEFT; VR9500,PC,BLACK,3022R	SNA	1
2-8	6	RA026	DJ97-02997A	ASSY MAGNET; VR9500T,ASSY MAGNET-L,LEFT	SA	1

# 7. Assy Wheel Driving R

## Assy Wheel Driving R

### Exploded View



## Parts List

No.	Lvl.	Loc.	Material Code	Description & Specification	SNA	Qty.
3	5	RB046	DJ97-02982A	ASSY WHEEL DRIVING R; VR9500T,SENSOR PHOT	SA	1
3-1	6	RL005	DJ97-02999A	ASSY CASE; VR9500T,ASSY CASE-WHEEL RIGHT	SNA	1
3-1-1	7	RV005	6003-000159	SCREW-TAPTYPE; PH,+,B,M3,L10,ZPC(BLK),SWR	SNA	1
3-1-2	7	RV005	6006-000112	SCREW-MACHINE; PH,+,WS,M2.6,L8,ZPC(WHT),S	SNA	3
3-1-3	7		DJ31-00173A	MOTOR BLDC; BML5D01BB3,3500rpm,21.6V,0.5A	SNA	1
3-1-4	7		DJ61-02639A	HOLDER PIVOT-RIGHT; VR9500,PC,L31,BLACK,V	SNA	1
3-1-5	7		DJ61-02643A	HOLDER MOTOR; VR9500,PC,L32.5,BLACK,V-2,3	SNA	1
3-1-6	7		DJ61-02658A	CASE WHEEL-RIGHT; VR9500,PC,BLACK,3022R	SNA	1
3-1-7	7		DJ66-00845A	GEAR PINION; VR9500,PK,NATURAL,OD8.22,M33	SNA	1
3-1-8	7		DJ66-00846A	GEAR B; VR9500,POM,NATURAL,OD19.75,F20-03	SNA	1
3-1-9	7		DJ66-00852A	GEAR A; VR9500,POM,NATURAL,OD12.16,F20-03	SNA	1
3-1-10	7		DJ66-00890A	SHAFT GEAR BOX; VR9500T,STS303,L12.1,OD3,	SNA	1
3-1-11	7		DJ66-00891A	SHAFT GEAR BOX; VR9500T,STS303,L27.9,OD7.	SNA	1
3-2	6		DJ97-02998A	ASSY GEAR; VR9500, VR8000,ASSY GEAR BOX-R	SNA	1
3-2-1	7	RV005	6003-000159	SCREW-TAPTYPE; PH,+,B,M3,L10,ZPC(BLK),SWR	SNA	3
3-2-2	7	RV005	6006-000130	SCREW-MACHINE; SWRCH18A,ZPC(WHT),L8,M3,PH	SNA	1
3-2-3	7		6044-000298	RING-E; ID7.0,OD14,T0.8,BLURING(BLK),ST	SNA	1
3-2-4	7		6601-002356	BEARING-OILLESS; ID6,OD13,L3.9,SBF1118,WH	SNA	2
3-2-5	7		6601-002357	BEARING-OILLESS; ID4.5,OD12,L5.2,SBF1218,	SNA	1
3-2-6	7		DJ61-02258A	FIXER SHAFT; VR9000H,CR-SPCC,T2	SNA	1
3-2-7	7		DJ61-02679A	BASE GEAR BOX-RIGHT; VR9500,PC,BLACK,3022	SNA	1
3-2-8	7		DJ63-01705A	COVER GEAR BOX-RIGHT; VR9500,PC,BLACK,302	SNA	1
3-2-9	7		DJ66-00739A	SHAFT GEAR BOX; VR9000H,STS304,L17,OD3.0,	SNA	2
3-2-10	7		DJ66-00844A	WHEEL-OUT; VR9500,TPE,OD70,CS1160,NEUTRAL	SNA	1

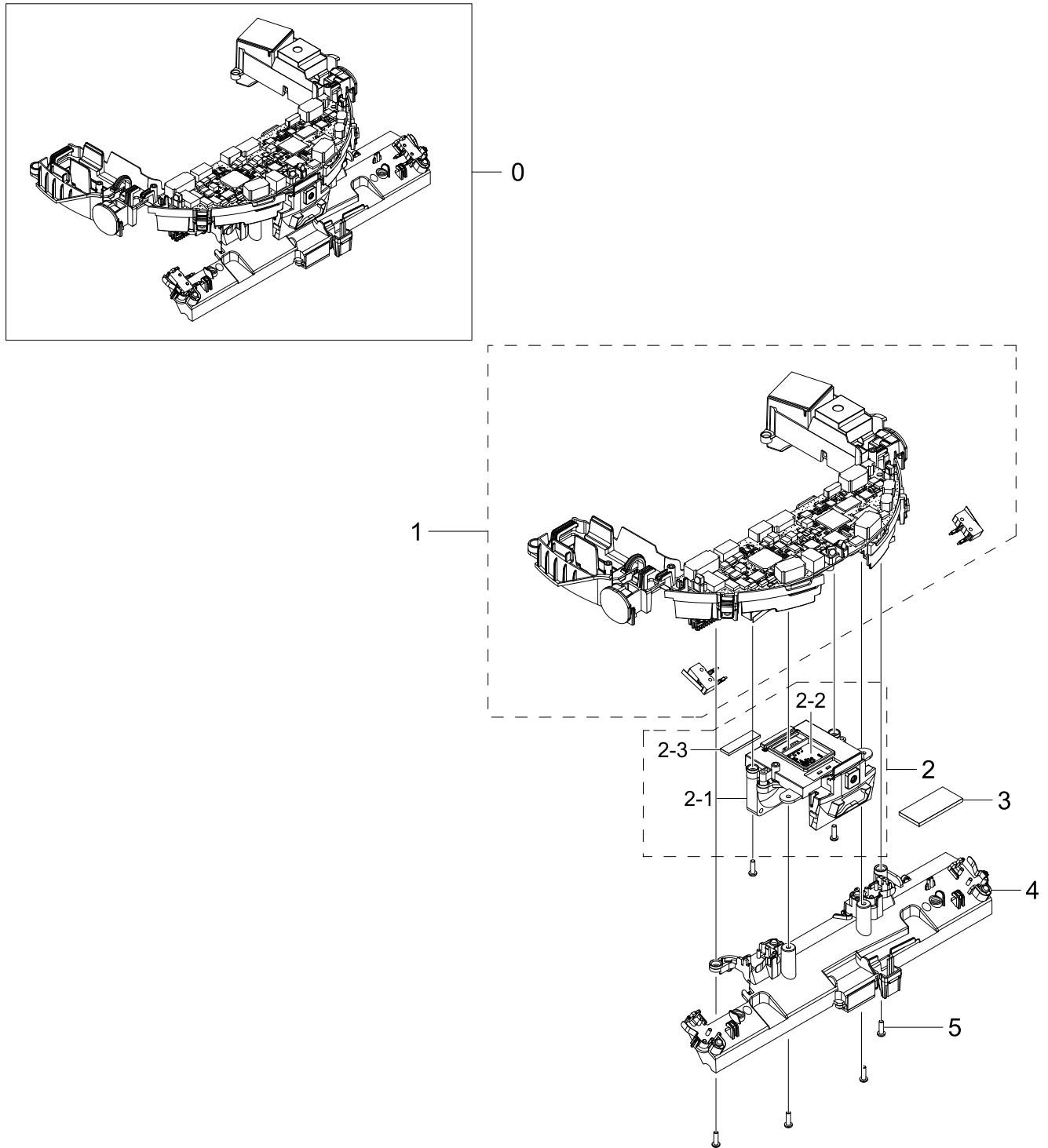


No.	Lvl.	Loc.	Material Code	Description & Specification	SNA	Qty.
3-2-11	7		DJ66-00847A	GEAR C; VR9500,POM,NATURAL,OD17.76,F20-03	SNA	1
3-2-12	7		DJ66-00848A	GEAR IDLE; VR9500,POM,NATURAL,OD13.38,F20	SNA	1
3-2-13	7		DJ66-00849A	GEAR MID; VR9500,PA46+GF30%,BLACK,OD24.82	SNA	1
3-2-14	7		DJ66-00850A	GEAR MAIN; VR9500,PA46+GF30%,BLACK,OD26.4	SNA	1
3-2-15	7		DJ66-00889A	SHAFT WHEEL; VR9500T,SUM24L,L29.55,D5.95,	SNA	1
3-2-16	7		DJ66-00890A	SHAFT GEAR BOX; VR9500T,STS303,L12.1,OD3,	SNA	1
3-3	6	RV005	6003-000159	SCREW-TAPTYPE; PH,+,B,M3,L10,ZPC(BLK),SWR	SNA	4
3-4	6		DJ61-02799A	HOLDER TURRET; VR9500,ABS,L42.1,EBONY BLA	SNA	1
3-5	6		DJ61-02855A	SPRING ETC COIL; VR9500,HSWR,ID7.3,OD9.3,	SNA	1
3-6	6		DJ61-02853A	SPRING ETC COIL; VR9500,VR8000,HSWR,ID6.5	SNA	1
3-7	6		DJ63-01707A	COVER WHEEL-RIGHT; VR9500,PC,BLACK,3022R	SNA	1
3-8	6	RA026	DJ97-02996A	ASSY MAGNET; VR9500T,ASSY MAGNET-R,RIGHT	SA	1

# 8. Assy Case Sensor

Assy Case Sensor

## Exploded View



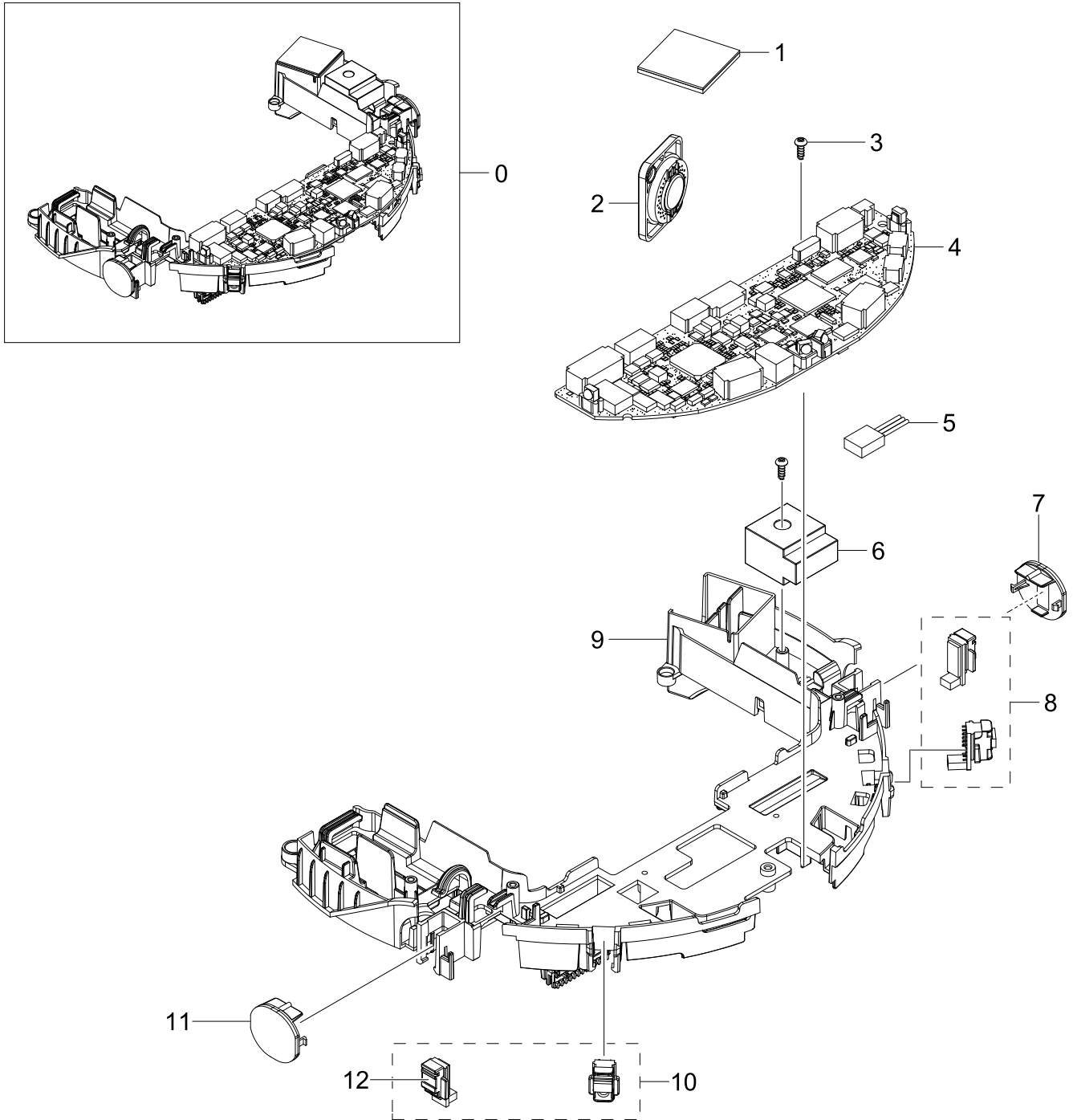
**Parts List**

No.	Lvl.	Loc.	Material Code	Description & Specification	SNA	Qty.
0	3		DJ97-02994F	ASSY CASE SENSOR; VR9500,No,ASSY CASE SEN	SA	1
1	4		DJ97-02970F	ASSY HOLDER; VR9500,HOLDER PBA,GLOBAL,NPU	SA	1
2	4		DJ97-02993B	ASSY CASE SENSOR; VR9500,No,NPU(IC Change	SNA	1
2-1	5		DJ31-00182A	MOTOR BLDC FAN; G4010M05D1-AB-0951,6000rp	SA	1
2-2	5		DJ92-00198B	ASSY PBA MODULE; NPU MODULE,VR9500R,Stand	SNA	1
2-3	5		DJ63-01828A	GASKET ETC; VR9500T,EPDM FOAM,T1,W40,L10,	SA	2
3	4		DJ63-01579A	GASKET CASE; VR7000M,EPDM,T1,W25,L48,BLAC	SNA	3
4	4		DJ97-02942A	ASSY CASE SENSOR; VR9500,No	SA	1
5	4	RV005	6003-000159	SCREW-TAPTYPE; PH,+,B,M3,L10,ZPC(BLK),SWR	SNA	6

# 9. Assy Holder

Assy Holder

## Exploded View



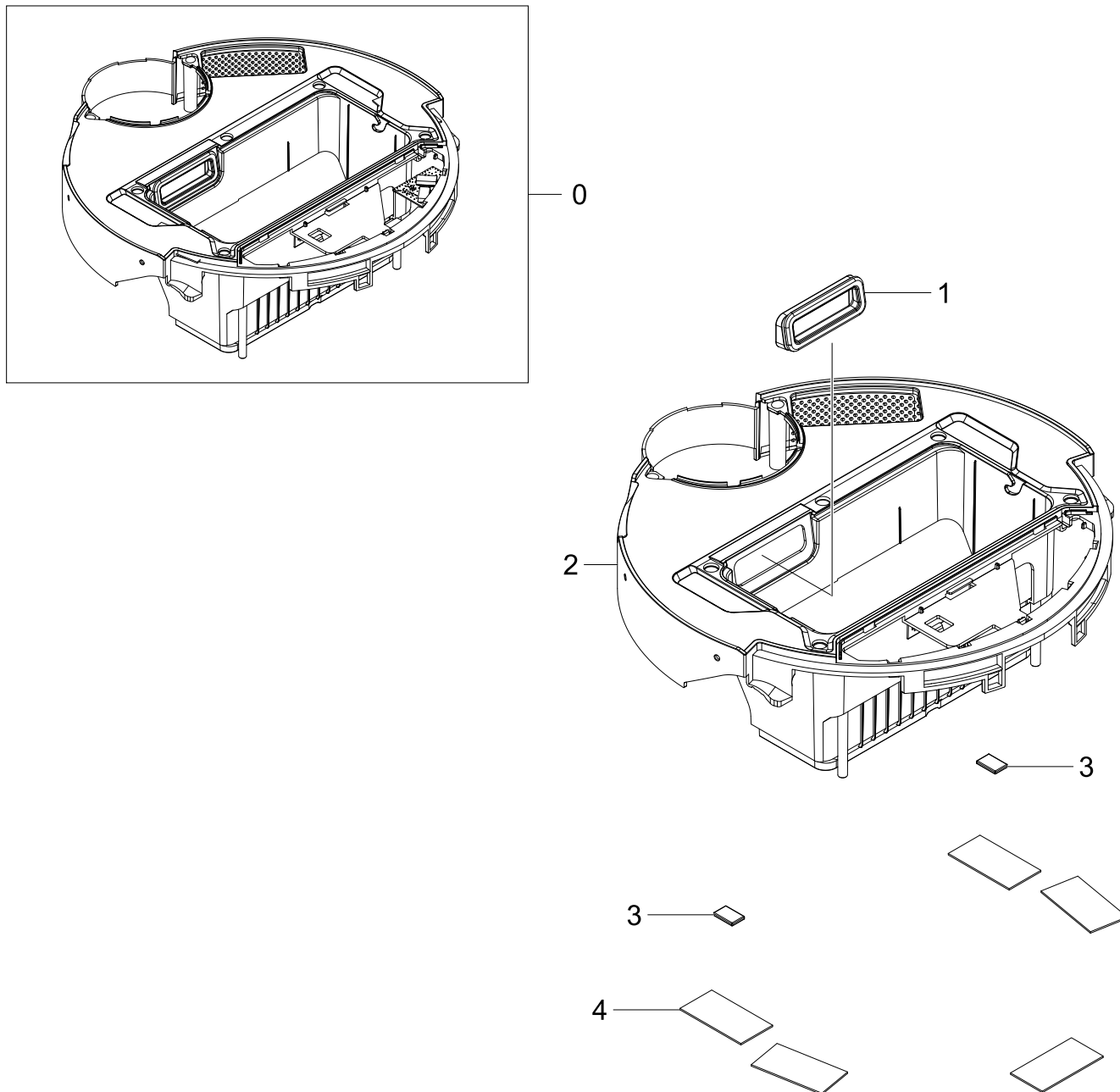
**Parts List**

No.	Lvl.	Loc.	Material Code	Description & Specification	SNA	Qty.
0	4		DJ97-02970F	ASSY HOLDER; VR9500,HOLDER PBA,GLOBAL,NPU	SA	1
1	5		DJ67-00881A	CAP ETC; VR9500,EPDM,T3,W32,L32,ADHESIVE	SNA	1
2	5		3001-002864	SPEAKER; 822dB,450Hz,40x32x9.5mm,2W	SA	1
3	5	RV005	6003-000159	SCREW-TAPTYPE; PH,+,B,M3,L10,ZPC(BLK),SWR	SNA	1
4	5		DJ92-00185E	ASSY PCB MAIN; PBA MAIN 6L,VR9500T PLUS,1	SA	1
5	5	RJ161	DJ39-00332A	WIRE HARNESS-SENSOR; 3P,DUST BOX DETECT,U	SA	1
6	5		DJ67-00882A	WEIGHT BALANCE; VR9500T,BRASS,T19,L25.6,c	SA	1
7	5		DJ64-01408A	WINDOW SENSOR-LEFT; VR9500T,PC,3022R,DARK	SNA	1
8	5	RJ161	DJ39-00308A	WIRE HARNESS-SENSOR; 22P,SENSOR LEFT,CLIF	SA	1
9	5		DJ61-02788A	HOLDER PBA; VR9500T,ABS,T2,L280,INNER GRA	SNA	1
10	5	RJ161	DJ39-00312A	WIRE HARNESS-SENSOR; 22P,SENSOR RIGHT,BRU	SA	1
11	5		DJ64-01409A	WINDOW SENSOR-RIGHT; VR9500T,PC,3022R,DAR	SNA	1
12	5		DJ97-03087A	ASSY HOLDER; VR9500T,BLACK,SIDE PSD	SA	2

# 10. Assy Body Mid

Assy Body Mid

Exploded View



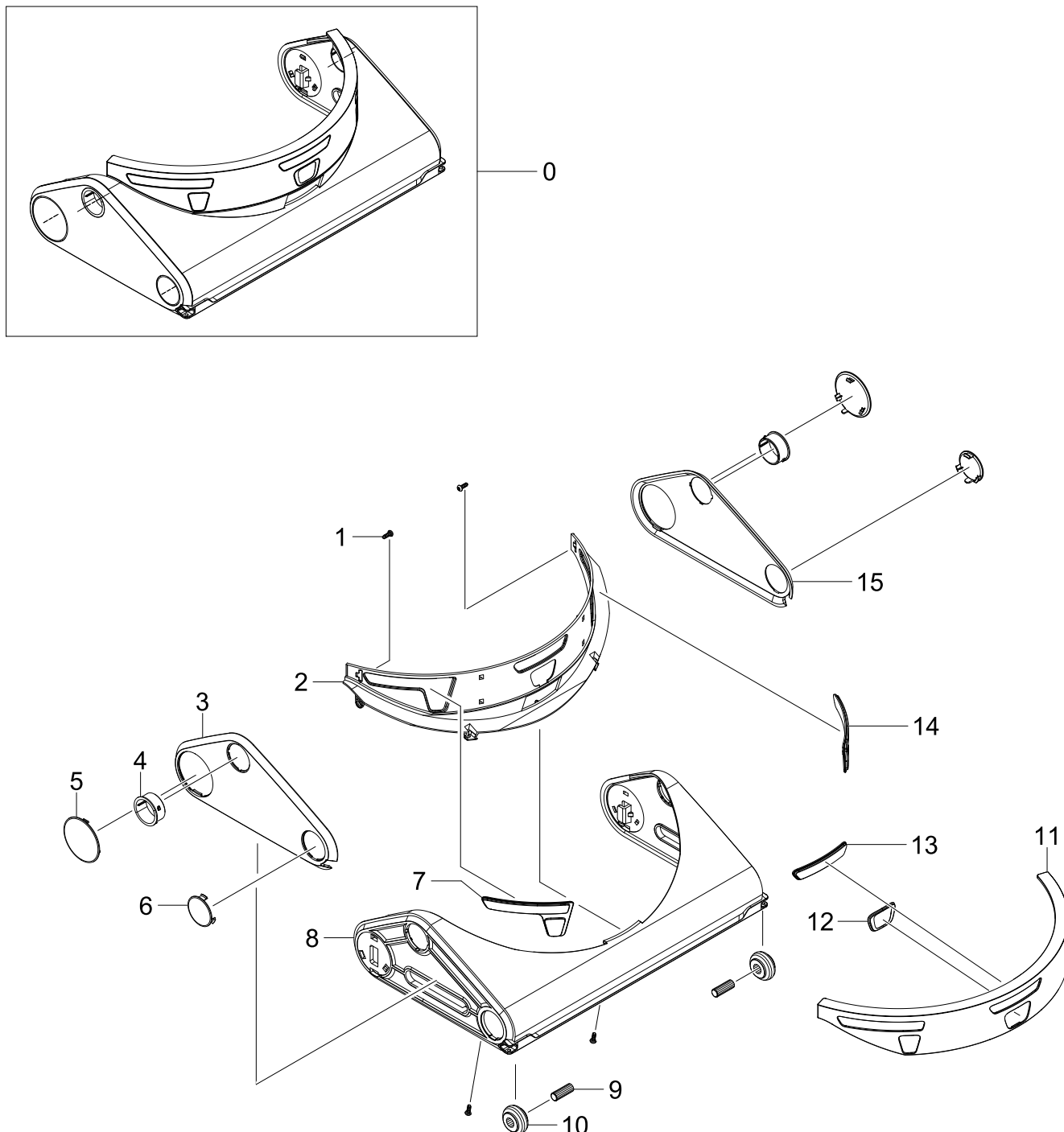
**Parts List**

No.	Lvl.	Loc.	Material Code	Description & Specification	SNA	Qty.
0	3	RB009	DJ97-02981B	ASSY BODY MID; VR9500T,USA, SmartThings	SNA	1
1	4		DJ63-01718A	GASKET DUCT; VR9500R,PVC,W-,L-,BLACK,NAP1	SA	1
2	4	RB059	DJ61-02677B	BODY MID; VR9500T,ABS,T2,CLEAR GRAY,Silk	SA	1
3	4		DJ61-02848A	MAGNET; VR9500T,Nd,T2,W10,L15,-,-,-	SNA	2
4	4		DJ63-01579A	GASKET CASE; VR7000M,EPDM,T1,W25,L48,BLAC	SNA	3

# 11. Assy Body Bumper

Assy Body Bumper

Exploded View





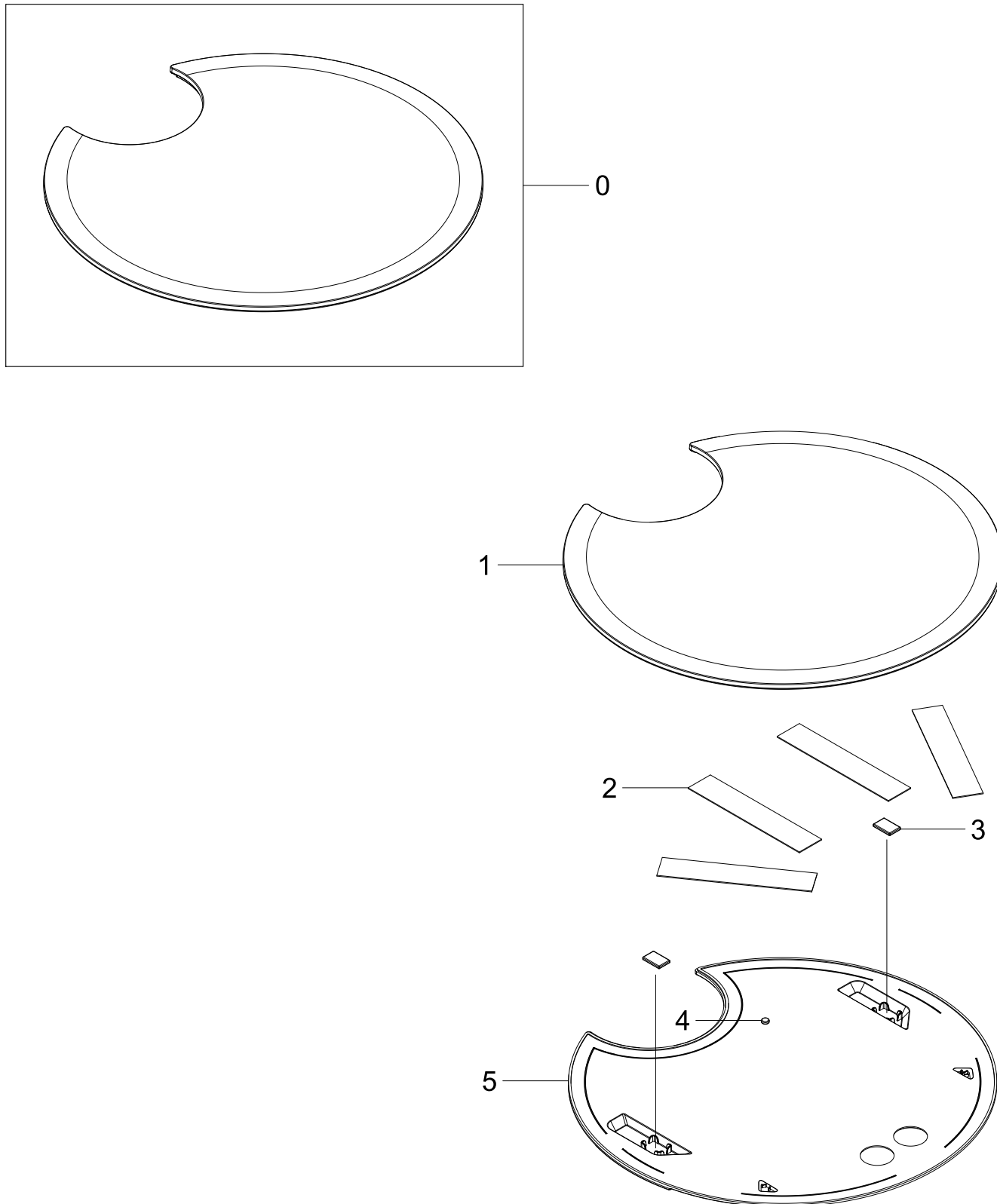
## Parts List

No.	Lvl.	Loc.	Material Code	Description & Specification	SNA	Qty.
0	3	RB004	DJ97-02980A	ASSY BODY BUMPER; VR9500,PRINTING	SA	1
1	4	RV005	6003-000167	SCREW-TAPTYPE; PH,+,B,M3,L8,ZPC(BLK),SWRC	SNA	4
2	4		DJ64-01387A	WINDOW SENSOR; VR9500,ABS,RM-0760,MISTY W	SNA	1
3	4		DJ64-01389A	DECORATION SIDE-RIGHT; VR9500,PC,MID GRAY	SNA	1
4	4		DJ67-00856A	CAP BODY; VR9500,PC,3022R,DARK GLASS	SNA	2
5	4		DJ67-00858A	CAP COVER; VR9500,ABS,-,W41.8,L6.7,-,LU63	SNA	2
6	4		DJ67-00857A	CAP ETC; VR9500,ABS,-,W27.4,L6.7,-,LU637,	SNA	2
7	4		DJ64-01404A	WINDOW SENSOR-RIGHT; VR9500T,PC,3022R,DAR	SNA	1
8	4		DJ61-02699A	BODY BUMPER; VR9500R,ABS,T2,MISTY WHITE,S	SNA	1
9	4		DJ66-00776B	SHAFT ROLLER; VR9500T,STS303,L8,OD2.9,T2.	SA	2
10	4		DJ66-00746A	ROLLER; HB300,POM,BLACK	SA	3
11	4		DJ63-01726A	COVER BUMPER; VR9500,ABS,HB,CLEAR GRAY,HG	SNA	1
12	4		DJ64-01388A	DECORATION CAMERA; VR9500,PC,NATURAL,Silk	SNA	1
13	4		DJ64-01402A	WINDOW; VR9500T,PC,3022R,DARK GLASS	SNA	1
14	4		DJ64-01403A	WINDOW SENSOR-LEFT; VR9500T,PC,3022R,DARK	SNA	1
15	4		DJ64-01390A	DECORATION SIDE-LEFT; VR9500,PC,MID GRAY	SNA	1

# 12. Assy Body Bumper\_Panel Control

Assy Body Bumper\_Panel Control

## Exploded View



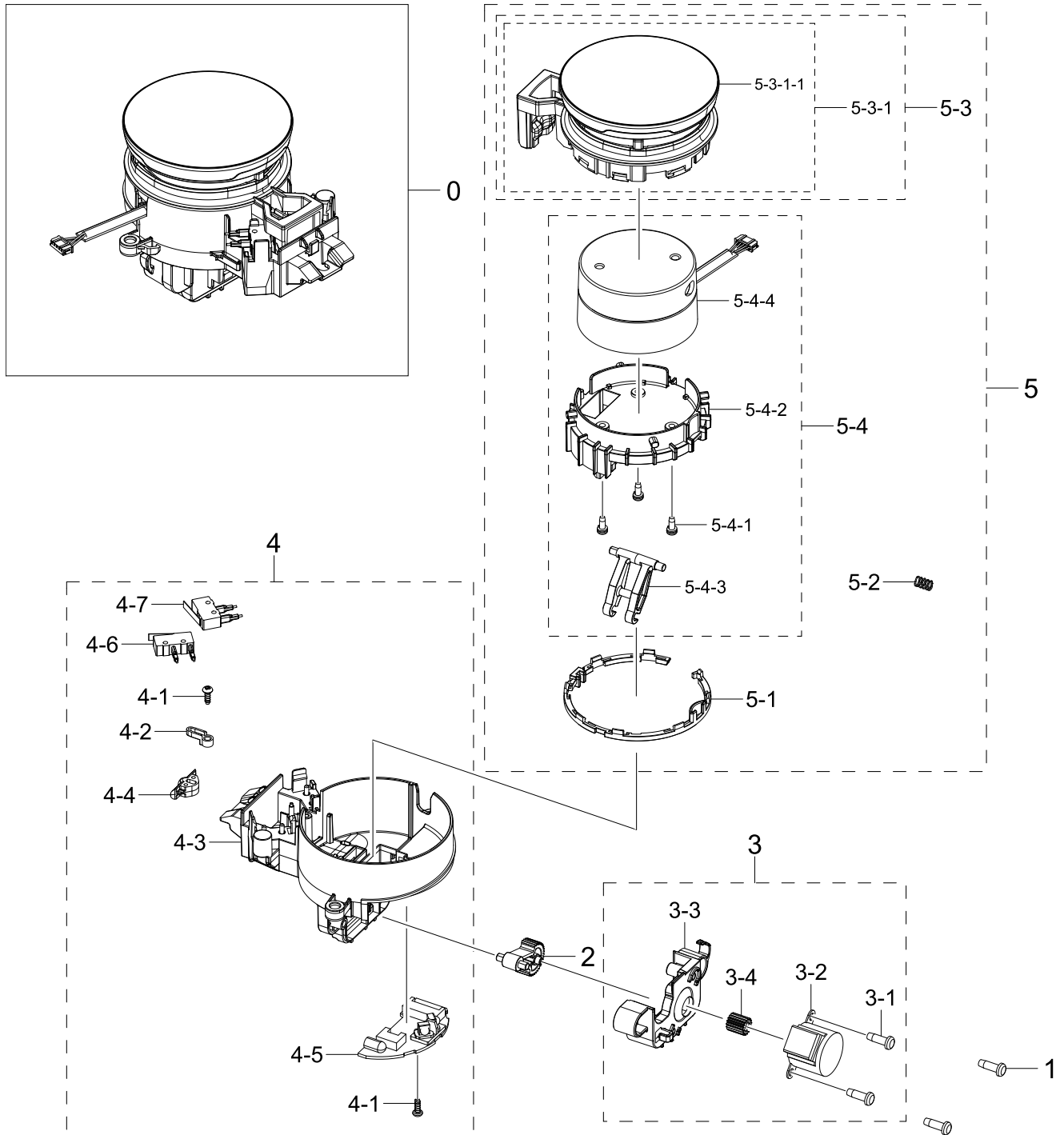
**Parts List**

No.	Lvl.	Loc.	Material Code	Description & Specification	SNA	Qty.
0	1	RB042	DJ97-02951A	ASSY PANEL CONTROL; VR9500T,MISTY WHITE,A	SA	1
1	2	RB188	DJ64-01385A	PANEL CONTROL; VR9500,PC,3022IR,NATURAL,F	SNA	1
2	2		DJ02-00003A	TAPE DOUBLE FACE; VR9500T,ACRYL,T0.64,W20	SNA	4
3	2		DJ61-02848A	MAGNET; VR9500T,Nd,T2,W10,L15,-,-,-	SNA	2
4	2		DJ61-02847A	MAGNET; VR9500T,Nd,T2,W5,L5,-,-,-,(PI5)	SNA	1
5	2	RB241	DJ64-01386A	PANEL CONTROL-LOW; VR9500,ABS,RM-0760,MIS	SNA	1

# 13. Assy Case Sensor\_2

## Assy Case Sensor\_2

### Exploded View



## Parts List

No.	Lvl.	Loc.	Material Code	Description & Specification	SNA	Qty.
0	3		DJ97-02979A	ASSY CASE SENSOR; VR9500,No,LiDAR	SA	1
1	4	RV005	6003-000170	SCREW-TAPTYPE; PH,+,B,M4,L12,ZPC(WHT),SWR	SNA	2
2	4		DJ66-00841A	LEVER SWITCH; VR9500R,PC,3022R,BLACK,LIDA	SA	1
3	4		DJ94-01001A	ASSY MOTOR PARTS; VR9500,DC STEP	SA	1
3-1	5	RV005	6003-000170	SCREW-TAPTYPE; PH,+,B,M4,L12,ZPC(WHT),SWR	SNA	2
3-2	5		DJ31-00174A	MOTOR GEARED DC STEP; SP BN2H C,DC21.6V,0	SA	1
3-3	5		DJ61-02634A	HOLDER ETC; VR9500R,PC,T2,L34,NATURAL,302	SNA	1
3-4	5		DJ66-00868A	GEAR PINION; VR9500T,POM,NATURAL,OD9.5,9A	SNA	1
4	4	RB034	DJ97-02972A	ASSY FRAME; VR9500,LiDAR FRAME	SA	1
4-1	5	RV005	6003-000159	SCREW-TAPTYPE; PH,+,B,M3,L10,ZPC(BLK),SWR	SNA	2
4-2	5		DJ61-02629A	HOLDER; VR9500R,PC,T2,L15.5,BLACK,3022R,L	SNA	1
4-3	5		DJ61-02672A	FRAME BACK; VR9500R,PC,BLACK,T2,W128,3022	SNA	1
4-4	5		DJ61-02674A	STOPPER; VR9500R,POM,T2,9A,ELENSYS,NATURA	SA	1
4-5	5		DJ92-00207A	ASSY MODULE; PBA DOCKING IR,VR9500R,Stand	SA	1
4-6	5	RJ161	DJ39-00309A	WIRE HARNESS-SENSOR; 4P,LIDAR BUMPER_UR(R	SNA	1
4-7	5	RJ161	DJ39-00310A	WIRE HARNESS-SENSOR; 18P,LIDAR ASSY,SHUTT	SNA	1
5	4	RL005	DJ97-02977A	ASSY CASE; VR9500,No,HOLDER LiDAR	SA	1
5-1	5		DJ61-02673A	FIXER; VR9500R,POM,NATURAL,9A,LIDAR-LOCKE	SNA	1
5-2	5		DJ61-02849A	SPRING ETC; VR9500,SWPB,0.5mm,ID4.6,OD5.6	SNA	1
5-3	5		DJ97-02973A	ASSY CASE SENSOR; VR9500,No,LiDAR UPPER	SNA	1
5-3-1	6		DJ97-03088A	ASSY COVER; VR9500T,VYNIL,PACKING,PURE SI	SA	1
5-3-1-1	7		DJ67-00850A	CAP COVER; VR9500R,ABS,T2.5,W27.4,L27.4,H	SA	1
5-4	5		DJ97-02974A	ASSY CASE SENSOR; VR9500,No,LiDAR LOWER	SNA	1
5-4-1	6	RV005	6006-000130	SCREW-MACHINE; SWRCH18A,ZPC(WHT),L8,M3,PH	SNA	3

Exploded Views and Parts List

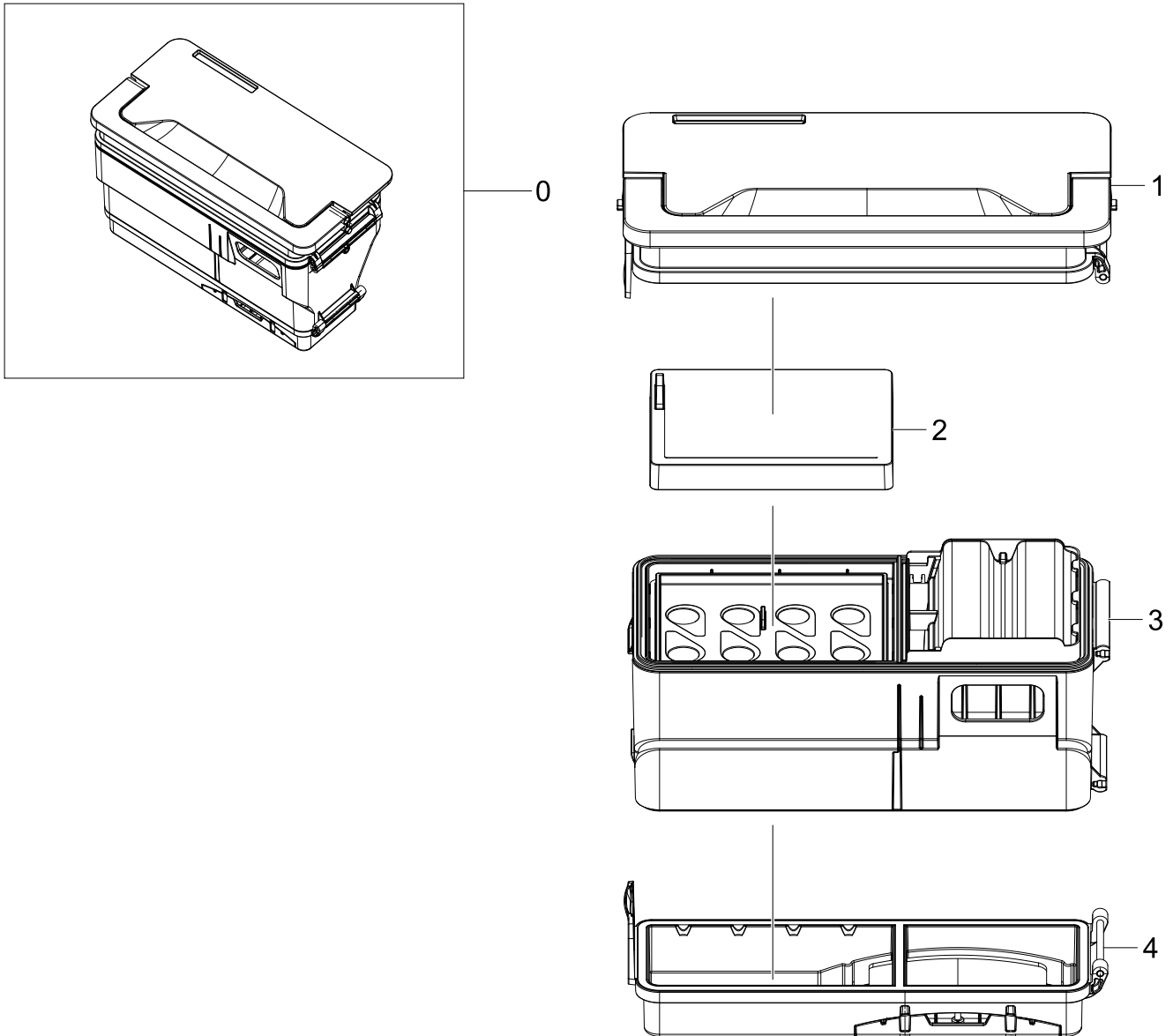
---

No.	Lvl.	Loc.	Material Code	Description & Specification	SNA	Qty.
5-4-2	6		DJ61-02632A	HOLDER SENSOR; VR9500R,ABS,L75.5,EBONY BL	SNA	1
5-4-3	6		DJ61-02635A	HOLDER MID; VR9500R,POM,T2,L35.8,NATURAL,	SNA	1
5-4-4	6		DJ92-00193A	ASSY MODULE; LiDAR MODULE,VR9500T,LiDAR,	SNA	1

# 14. Assy Case Cyclone

## Assy Case Cyclone

### Exploded View



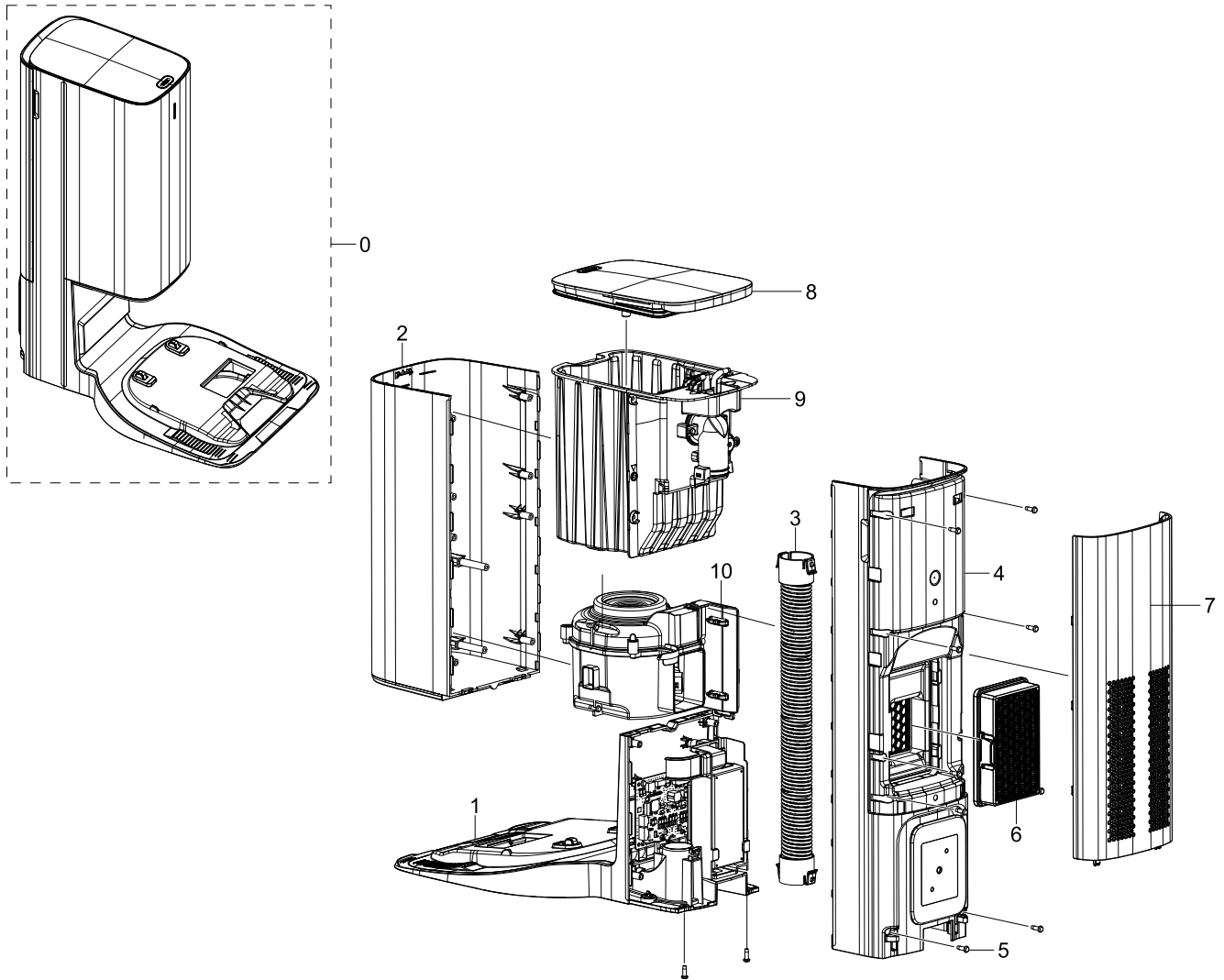
### Parts List

No.	Lvl.	Loc.	Material Code	Description & Specification	SNA	Qty.
0	1		DJ97-02918A	ASSY CASE CYCLONE; VR9500R,DARK GLASS,Bag	SA	1
1	2		DJ97-02917A	ASSY COVER; VR9500R,DARK GLASS	SA	1
2	2		DJ97-02916A	ASSY FILTER; VR9500R,MICRO	SA	1
3	2		DJ97-02921A	ASSY CYCLONE-UP; VR9500R,DARK GLASS	SA	1
4	2		DJ97-02923A	ASSY CYCLONE-LOW; VR9500R,DARK GLASS	SA	1

# 15. Assy Charger

Assy Charger

## Exploded View



## Parts List

No.	Lvl.	Loc.	Material Code	Description & Specification	SNA	Qty.
0	3		DJ96-00238L	ASSY CLEANER N CHARGER; VR9500T,MISTY WHI	SNA	1
1	4	RB002	DJ97-02928A	ASSY BODY BASE; VR9500T,WHITE	SNA	1
2	5	RB029	DJ97-02938A	ASSY COVER FRONT; VR9500T	SNA	1
3	4	RL018	DJ97-02930A	ASSY HOSE; VR9500T,BLACK	SA	1
4	5		DJ61-02669A	BODY BACK; VR9500,ABS,T2.5,MISTY WHITE,HB	SA	1
5	4	RV005	6003-000170	SCREW-TAPTYPE; PH,+B,M4,L12,ZPC(WHT),SWR	SNA	12
6	4	RA023	DJ97-02931A	ASSY FILTER OUTLET; VR9500T,WHITE	SA	1

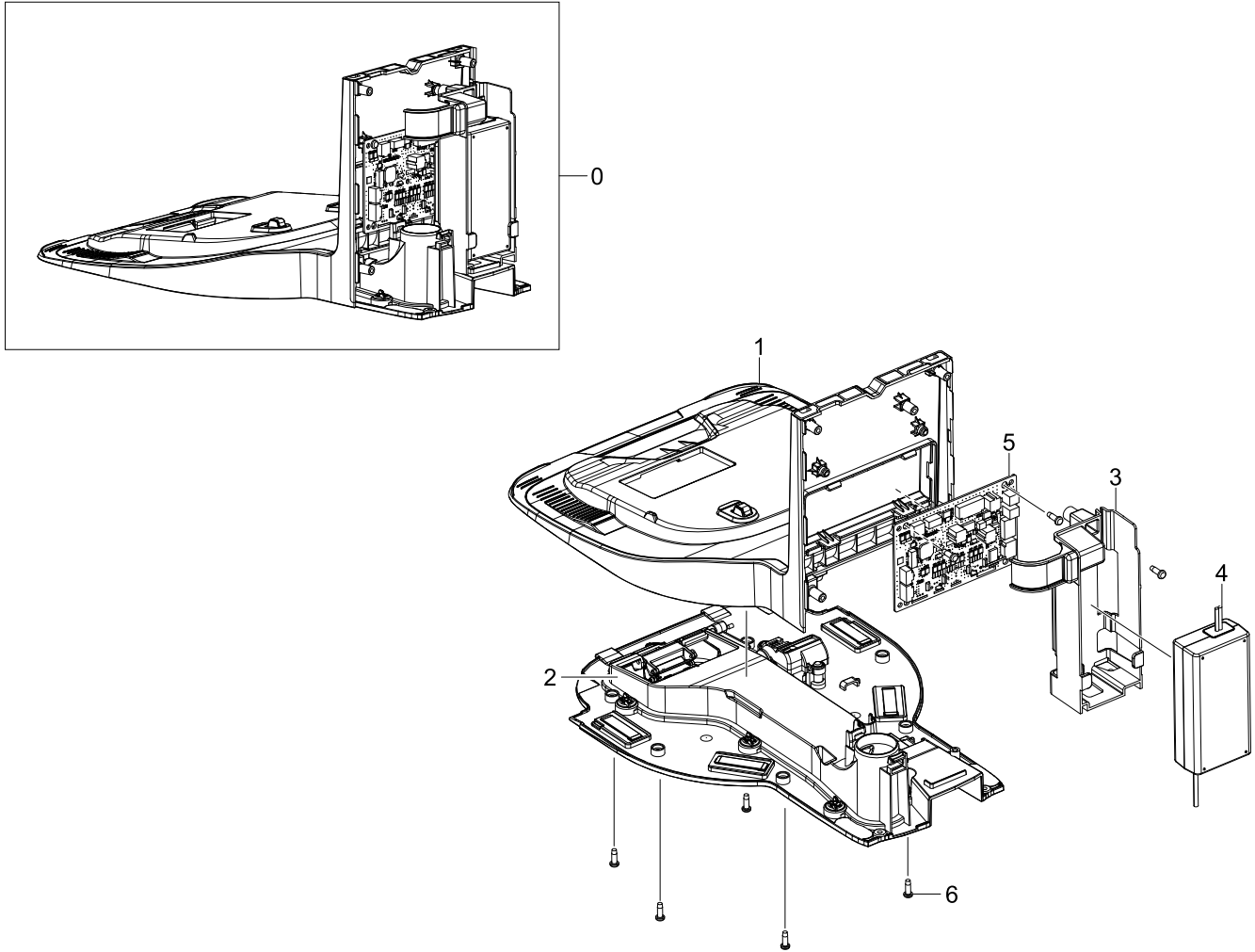


No.	Lvl.	Loc.	Material Code	Description & Specification	SNA	Qty.
7	4	RB149	DJ64-01374A	GRILLE BACK; VR9500,ABS,HB,MISTY WHITE,RM	SA	1
8	4	RB026	DJ97-02932A	ASSY COVER DUST; VR9500T,WHITE	SA	1
9	5	RB217	DJ97-02937A	ASSY BODY DUST; VR9500T	SA	1
10	5	RJ002	DJ97-02941D	ASSY CASE MOTOR; VR9500T/VR8500T,GLOBAL,2	SNA	1

# 16.Assy Body Base\_2

Assy Body Base\_2

## Exploded View



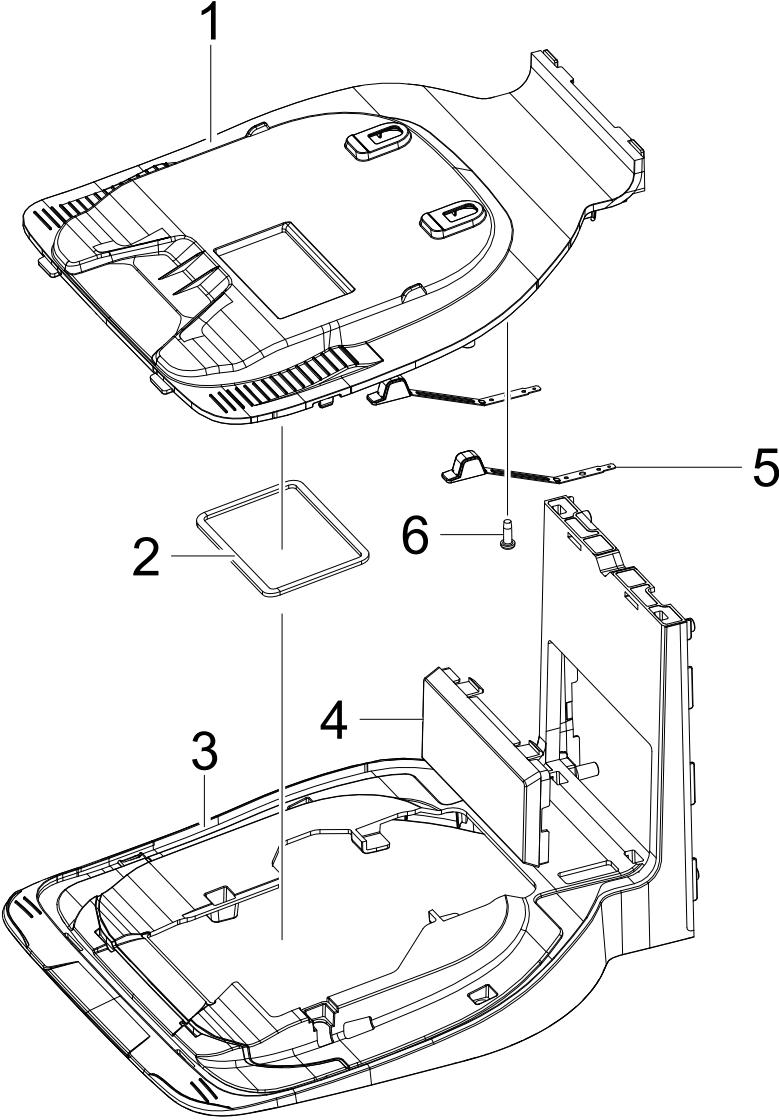
## Parts List

No.	Lvl.	Loc.	Material Code	Description & Specification	SNA	Qty.
0	4	RB002	DJ97-02928A	ASSY BODY BASE; VR9500T,WHITE	SNA	1
1	5		DJ96-00236A	ASSY CHARGER-HOLDER; VR9500T	SA	1
2	5		DJ96-00237A	ASSY CHARGER-BASE; VR9500T	SA	1
3	5		DJ61-02622A	HOLDER PBA; VR9500,ABS,T2.5,L147,EBONY BL	SNA	1
4	5		DJ44-00012A	ADAPTOR; DC25.85V,2.5A,AC100-240V,65W,0to	SA	1
5	5		DJ92-00192A	ASSY MICOM; VR9500R_STATION,RENEASAS(R5F10	SA	1
6	5	RV005	6003-000170	SCREW-TAPTYPE; PH,+,B,M4,L12,ZPC(WHT),SWR	SNA	10

# 17. Assy Charger Holder

Assy Charger Holder

Exploded View



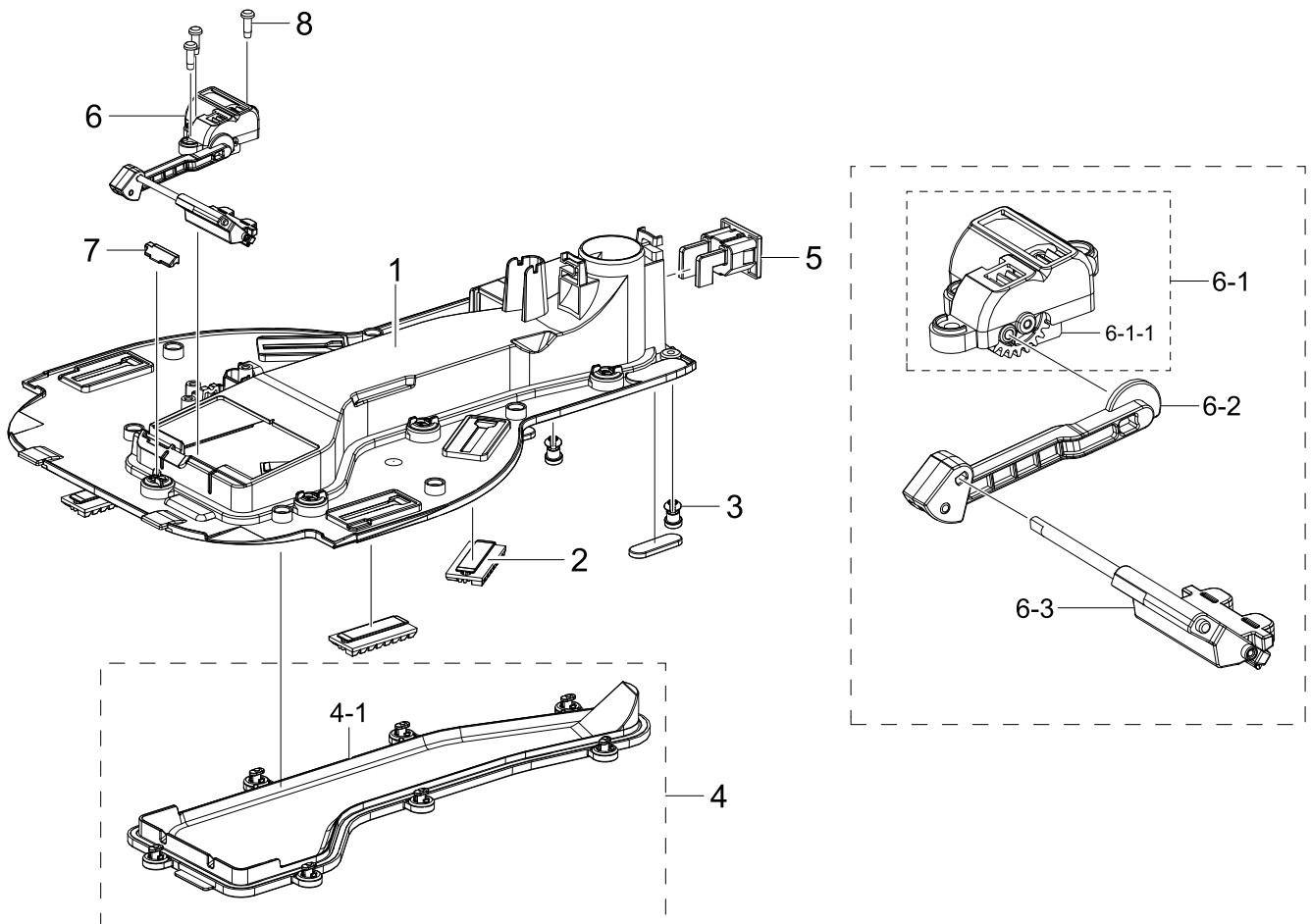
**Parts List**

No.	Lvl.	Loc.	Material Code	Description & Specification	SNA	Qty.
1	6		DJ63-01699A	COVER CHARGER-TOP; VR9500,ABS,CLEAR GRAY,	SA	1
2	6		DJ63-01798A	GASKET ETC; VR9500T,EPDM,T2,W4,L93.5*62,A	SNA	1
3	6		DJ63-01695A	COVER CHARGER; VR9500R,ABS,T2.5,HB,MISTY	SA	1
4	6		DJ64-01378A	WINDOW SENSOR; VR9500,PC,PC110,DARK GLASS	SA	1
5	6		DJ97-02935A	ASSY HOLDER TERMINAL; VR9500T	SA	1
6	6	RV005	6003-000159	SCREW-TAPTYPE; PH,+,B,M3,L10,ZPC(BLK),SWR	SNA	2

# 18. Assy Charger Base

## Assy Charger Base

### Exploded View



### Parts List

No.	Lvl.	Loc.	Material Code	Description & Specification	SNA	Qty.
1	6		DJ61-02694A	BODY CHARGER; VR9500,ABS,T2.5,MISTY WHITE	SNA	1
2	6		DJ67-00817A	RUBBER ADAPTER; VR7000M,Si,T4.5,NEUTRAL G	SA	4
3	6		DJ67-00835A	RUBBER ADAPTER; VS9000RL,TPV,TPV-45VSH-65	SA	2
4	6	RB026	DJ97-02939A	ASSY COVER DUST; VR9500T	SA	1
4-1	7		DJ63-01696A	COVER DUCT; PC,T2.5,GRAY TR-P,2405	SA	1
5	6	RJ109	DJ39-00315A	WIRE HARNESS-POWER; 2P,0.8T Tab,AC INLET,	SA	1
6	6		DJ94-00998A	ASSY MOTOR PARTS; VR9500T	SNA	1
6-1	7	RJ018	DJ97-03007A	ASSY SUPPORT MOTOR; VR9500 STEP MOTOR	SA	1

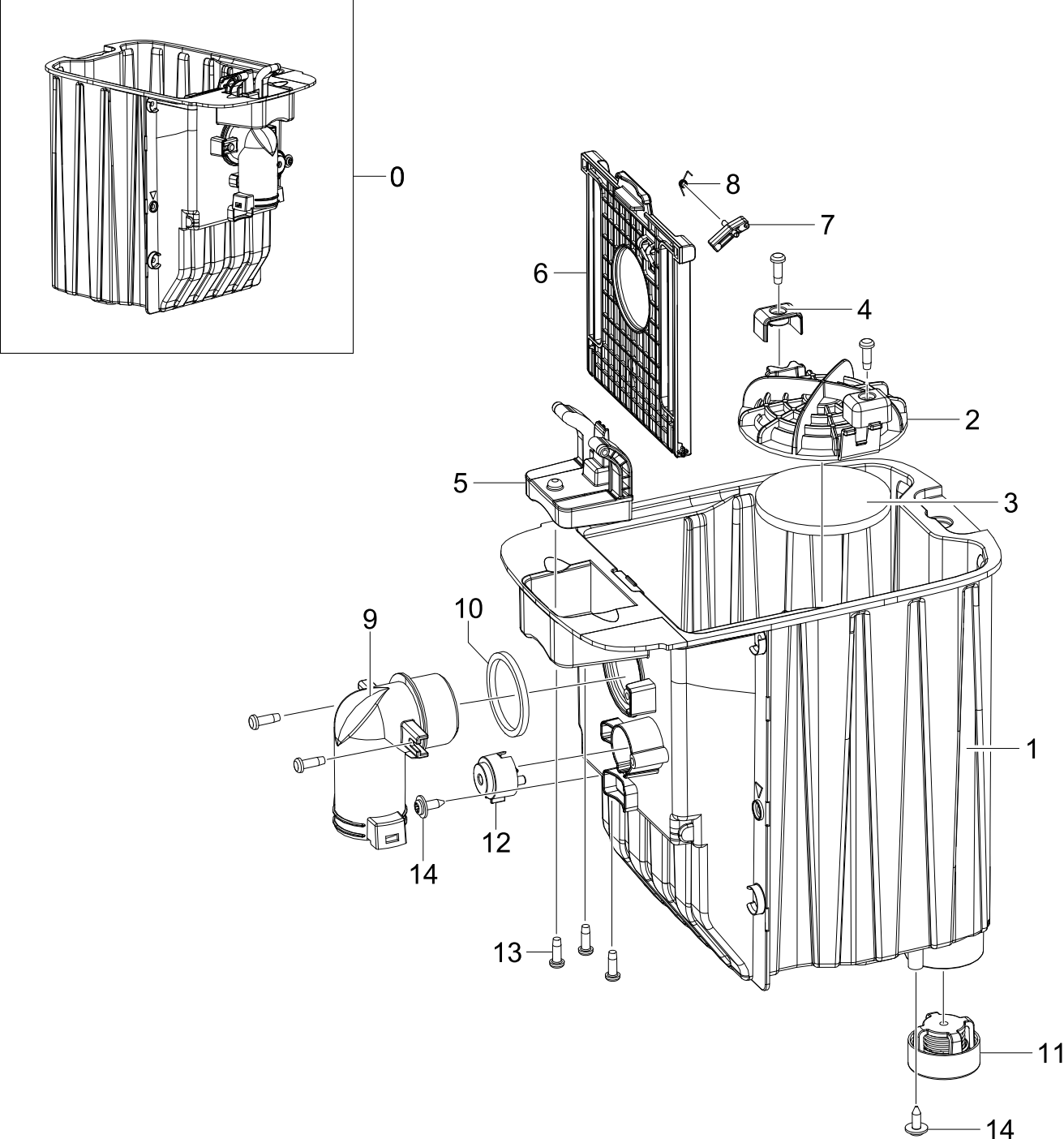
## Exploded Views and Parts List

No.	Lvl.	Loc.	Material Code	Description & Specification	SNA	Qty.
6-1-1	8		DJ31-00174A	MOTOR GEARED DC STEP; SP BN2H C,DC21.6V,0	SA	1
6-2	7		DJ97-02933A	ASSY SHAFT; VR9500T	SA	1
6-3	7		DJ97-02934A	ASSY LEVER; VR9500T,ASSY LEVER	SA	1
7	6		DJ61-02769A	HOLDER ACCESSORY; VR9500,Si,L24.4,Hardnes	SA	1
8	6	RV005	6003-000170	SCREW-TAPTYPE; PH,+,B,M4,L12,ZPC(WHT),SWR	SNA	3

# 19. Assy Body Dust

Assy Body Dust

Exploded View



## Parts List

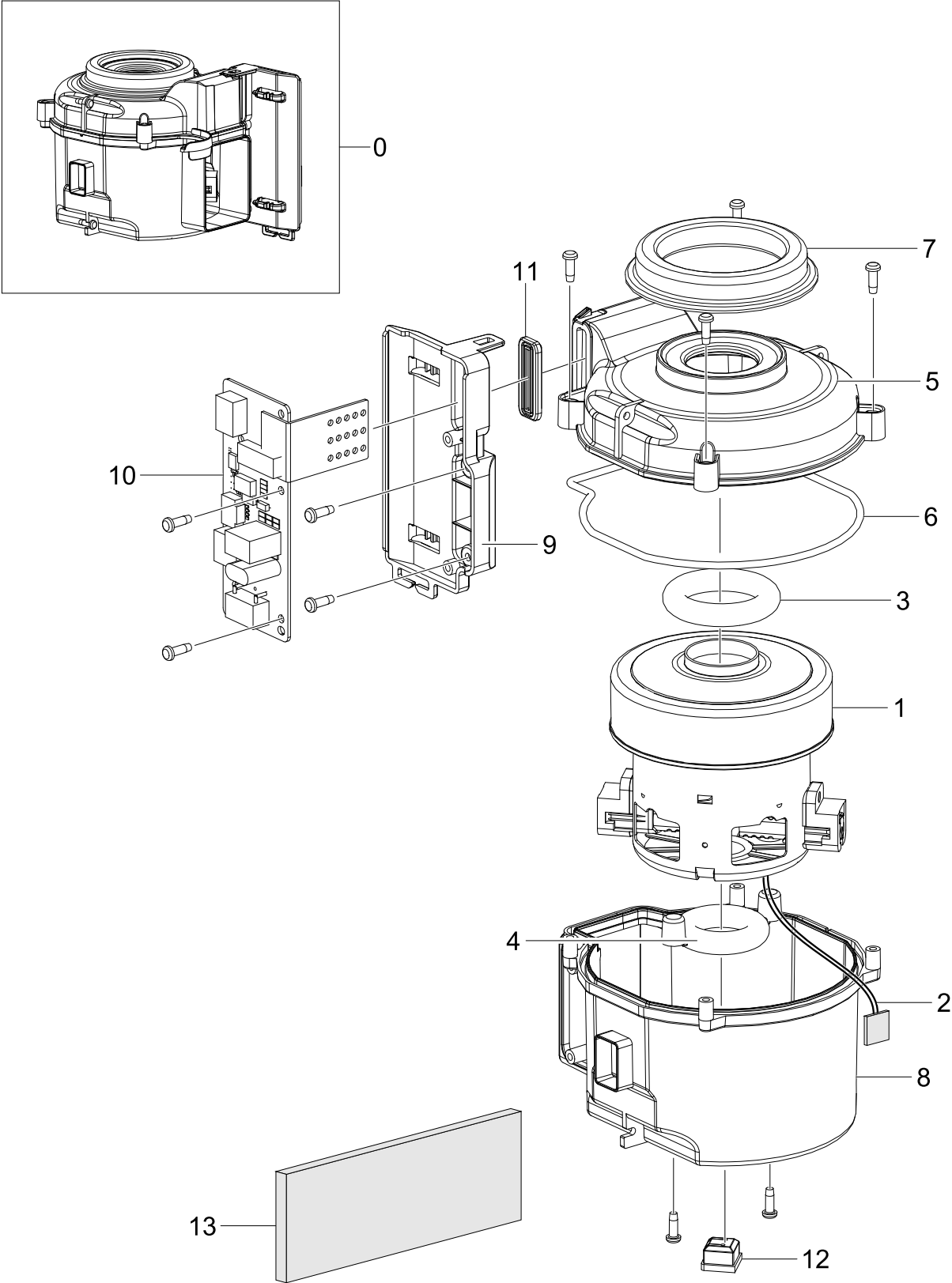
No.	Lvl.	Loc.	Material Code	Description & Specification	SNA	Qty.
0	5	RB217	DJ97-02937A	ASSY BODY DUST; VR9500T	SA	1
1	6		DJ61-02668A	BODY DUST; VR9500,ABS,T3,CLEAR GRAY,HB,HG	SNA	1
2	6		DJ64-01373A	GRILLE FILTER; VR9500,ABS,CLEAR GRAY,HG-0	SNA	1
3	6		DJ63-01805A	FILTER GRILLE; VR9500T,T5,D64, 80PPI,PU F	SA	1
4	6		DJ61-02688A	HOLDER LOCK; VR9500,ABS,T2,L11.4,CLEAR GR	SNA	2
5	6		DJ61-02624A	HOLDER MID; VR9500,POM,L46.9,CLEAR GRAY,H	SNA	1
6	6		DJ66-00839A	LEVER SAFETY; VR9500,ABS,HG-0760GP,AZURE	SA	1
7	6		DJ66-00840A	LEVER SWITCH; VR9500,POM,K300,NATURAL	SNA	1
8	6		DJ61-02846A	SPRING ETC; VR9500T,STS304,0.4mm,ID2.7,OD	SNA	1
9	6		DJ62-00474A	PIPE INNER; VR9500,ABS,ID34,OD41.1,CLEAR	SNA	1
10	6		DJ63-01802A	GASKET ETC; VR9500T,EPDM,T3,W3,L40.6,OD40	SA	1
11	6	RB032	DJ97-01965F	ASSY DAMPER; SC54Q0,L63,GRAY	SA	1
12	6		DJ96-00239A	ASSY SWITCH PRESSURE; 1P,1350mmH20,WHITE,	SA	1
13	6	RV005	6003-000170	SCREW-TAPTYPE; PH,+,B,M4,L12,ZPC(WHT),SWR	SNA	7
14	6	RV005	6002-001327	SCREW-TAPPING; PWH,+,1,M4,L12,ZPC(WHT),SW	SNA	2



# 20. Assy Case Motor\_Clean Station

Assy Case Motor\_Clean Station

## Exploded View



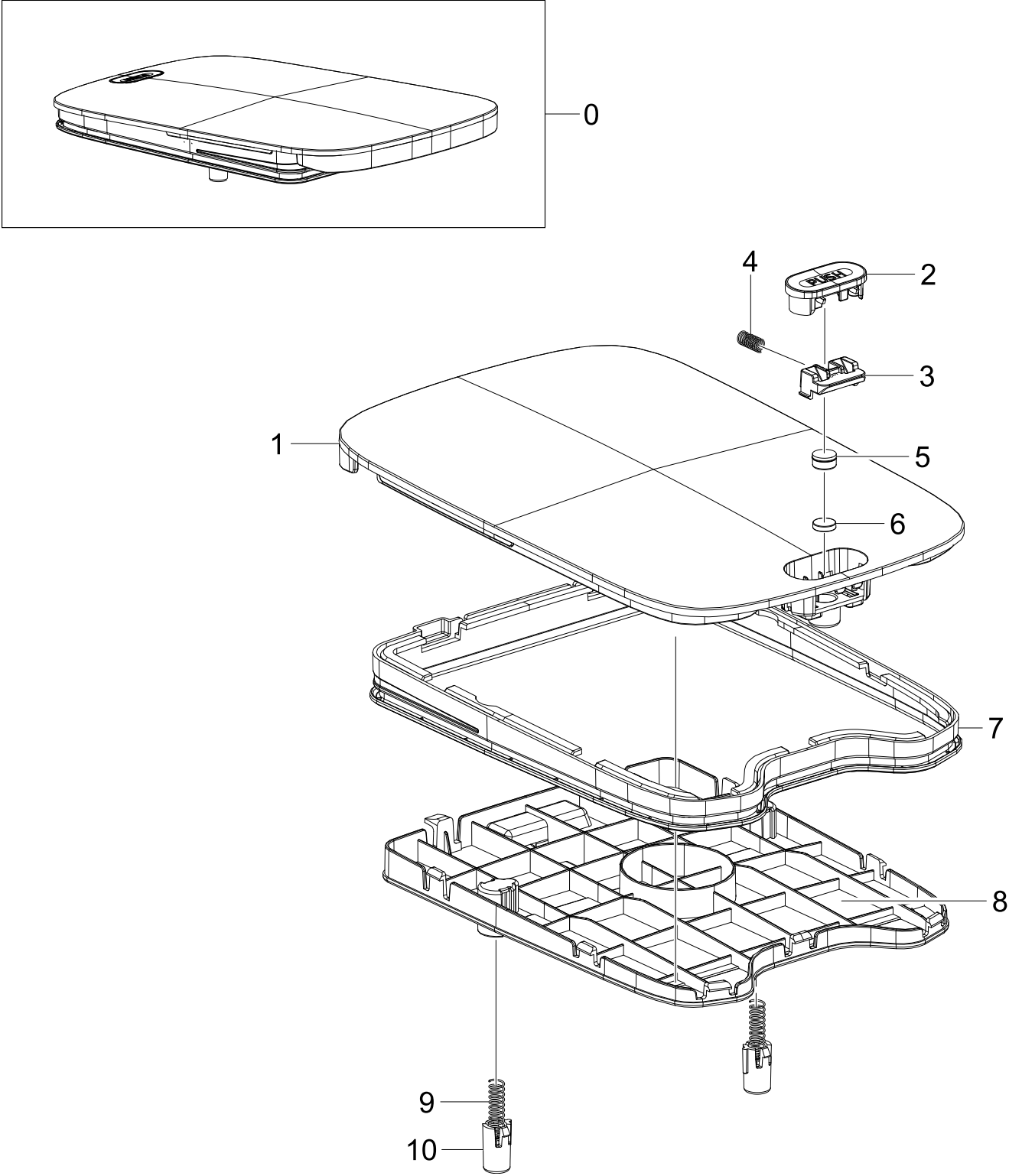
## Parts List

No.	Lvl.	Loc.	Material Code	Description & Specification	SNA	Qty.
0	5	RJ002	DJ97-02941D	ASSY CASE MOTOR; VR9500T/VR8500T,GLOBAL,2	SNA	1
1	6		DJ31-00142T	MOTOR UNIVERSAL FAN; VCM-K40AUAB,VCM-K40A	SA	1
2	6		DJ39-00314A	WIRE HARNESS-MOTOR; 2P,0.8T Tab,17AM205A5	SA	1
3	6	RP221	DJ73-10152A	CUSHION-RING; NR FOAM,BLACK,VC-6200/F-TYP	SA	1
4	6	RP223	DJ69-00398A	CUSHION-RING; TPV,OD45.5,ID23.5,H66.6,TPV	SA	1
5	6	RJ024	DJ61-02646A	CASE MOTOR-UP; VR9500,ABS,T2,EBONY BLACK,	SNA	1
6	6		DJ63-01800A	GASKET ETC; VR9500T,EPDM,T3,W3,L430,EXTRU	SNA	1
7	6	RJ038	DJ69-00263A	CUSHION-MOTOR F; NR FOAM,BLACK,SC8330	SNA	1
8	6	RJ022	DJ61-02647A	CASE MOTOR-LOW; VR9500,ABS,T2,EBONY BLACK	SNA	1
9	5		DJ61-02626A	HOLDER PBA; VR9500,ABS,-,L2,EBONY BLACK,-	SNA	1
10	5		DJ92-00209A	ASSY PBA MODULE; STATION_CLEAN,VR9500T,St	SA	1
11	5		DJ63-01713A	GASKET CASE MOTOR; VR9500,TPV,TPV-45VSH-6	SNA	1
12	6		DJ63-01306A	GASKET WIRE; SC21F70H,NBR,T3,W14.6,L14.6,	SA	1
13	6	RA093	DJ63-50138H	SPONGE-MOTOR; VC-SB930Z,FELT/SPONGE,T12,W	SA	1

# 21. Assy Cover Dust

Assy Cover Dust

## Exploded View



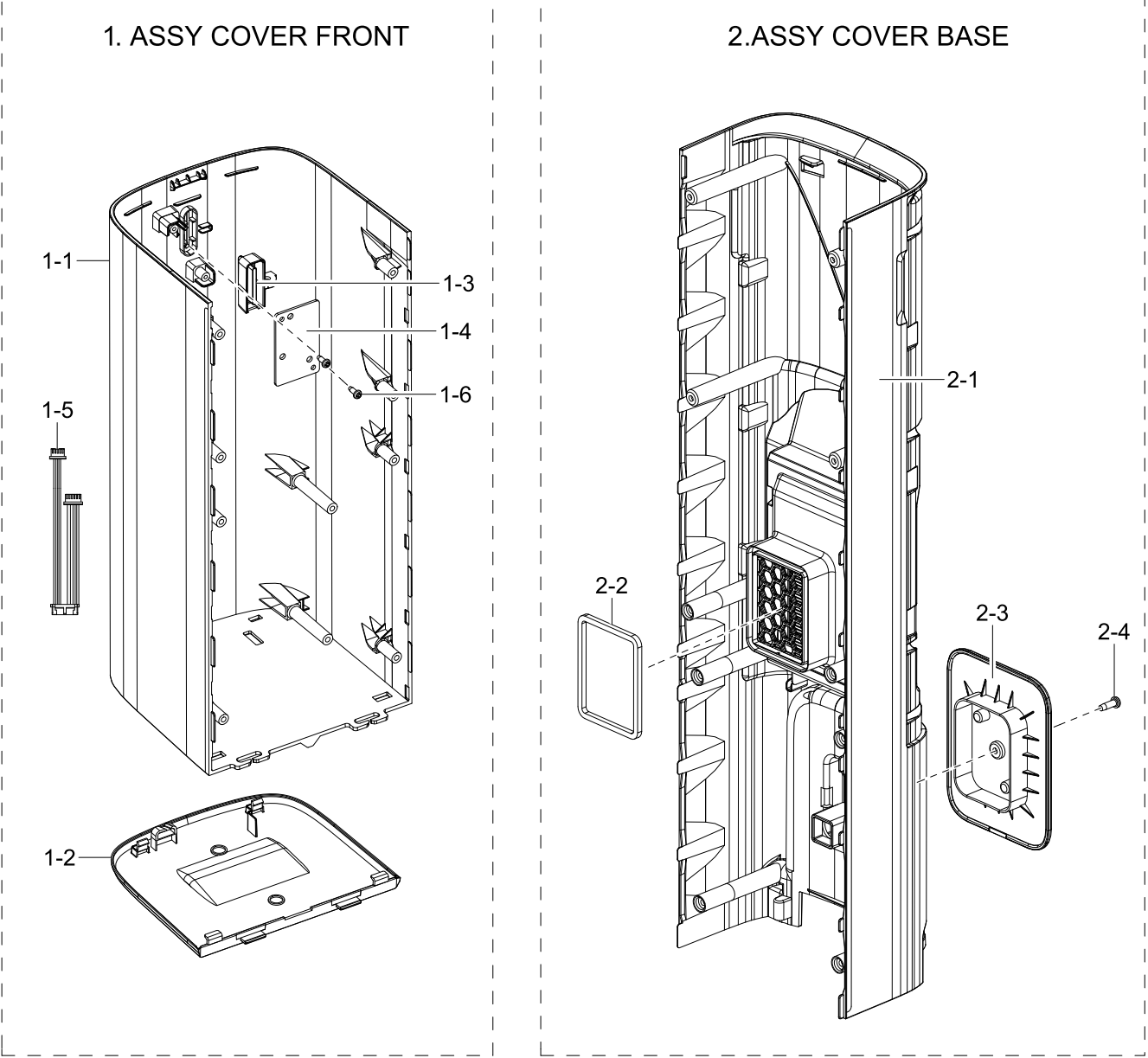
**Parts List**

No.	Lvl.	Loc.	Material Code	Description & Specification	SNA	Qty.
0	4	RB026	DJ97-02932A	ASSY COVER DUST; VR9500T,WHITE	SA	1
1	5	RB105	DJ63-01697A	COVER DUST; VR9500,ABS,CLEAR GRAY,HG-0760	SNA	1
2	5		DJ64-01398B	BUTTON PUSH; VCA-SAE90,ABS,CLEAR GRAY,CLE	SA	1
3	5		DJ61-02730A	GUIDE CLAMPER; VCA-SAE90,ABS,L22.4,HG-076	SNA	1
4	5		DJ61-02860A	SPRING ETC COIL; VR9500,HSWR,0.4mm,ID4,OD	SNA	1
5	5		DJ61-02842A	MAGNET NEODYMIUM; VR9500T,Nd,T2,W8,L8,-,-	SNA	1
6	5		DJ61-02811A	HOLDER RUBBER; VR9500,Si,L5,BLACK,HB,RUBB	SNA	1
7	5		DJ63-01789A	GASKET CASE; VR9500,Si,Ebony Black	SNA	1
8	5		DJ63-01698A	COVER DUST-IN; VR9500,ABS,HB,CLEAR GRAY,H	SNA	1
9	5		DJ61-02859A	SPRING ETC COIL; VR9500,HSWR,0.5mm,ID4.5,	SNA	2
10	5		DJ61-02726A	HOLDER ETC; VCA-SAE90,ABS,L17.1,AIRBORNE	SNA	2

# 22. Assy Cover Front, Assy Cover Base

Assy Cover Front, Assy Cover Base

## Exploded View



## Parts List

No.	Lvl.	Loc.	Material Code	Description & Specification	SNA	Qty.
1	5	RB029	DJ97-02938A	ASSY COVER FRONT; VR9500T	SNA	1
1-1	6	RB059	DJ61-02670A	BODY MID; VR9500,ABS,T2.5,MISTY WHITE,HB,	SA	1
1-2	6		DJ64-01377A	DECORATION MID; VR9500,ABS,MISTY WHITE	SNA	1
1-3	6		DJ64-01397A	WINDOW LED; VCA-SAE90,PMMA,LD-0955,WHITE	SNA	1
1-4	6		DJ92-00206A	ASSY MODULE; LED INDICATOR,VR9500T,Statio	SA	1
1-5	6		DJ39-00313A	WIRE HARNESS-PBA; 11P,LED INDICATOR,UL106	SA	1
1-6	6	RV005	6002-000630	SCREW-TAPPING; PH,+,2S,M3,L8,ZPC(WHT),SWR	SNA	2
2	4		DJ97-02940A	ASSY COVER BASE; VR9500T	SNA	1
2-1	5		DJ61-02669A	BODY BACK; VR9500,ABS,T2.5,MISTY WHITE,HB	SA	1
2-2	5		DJ63-01799A	GASKET ETC; VR9500T,EPDM,T3.5,W3.5,L53*69	SNA	1
2-3	5		DJ63-01700A	COVER CORD; VR9500,ABS,MISTY WHITE,RM-076	SNA	1
2-4	5	RV005	6003-000170	SCREW-TAPTYPE; PH,+,B,M4,L12,ZPC(WHT),SWR	SNA	1