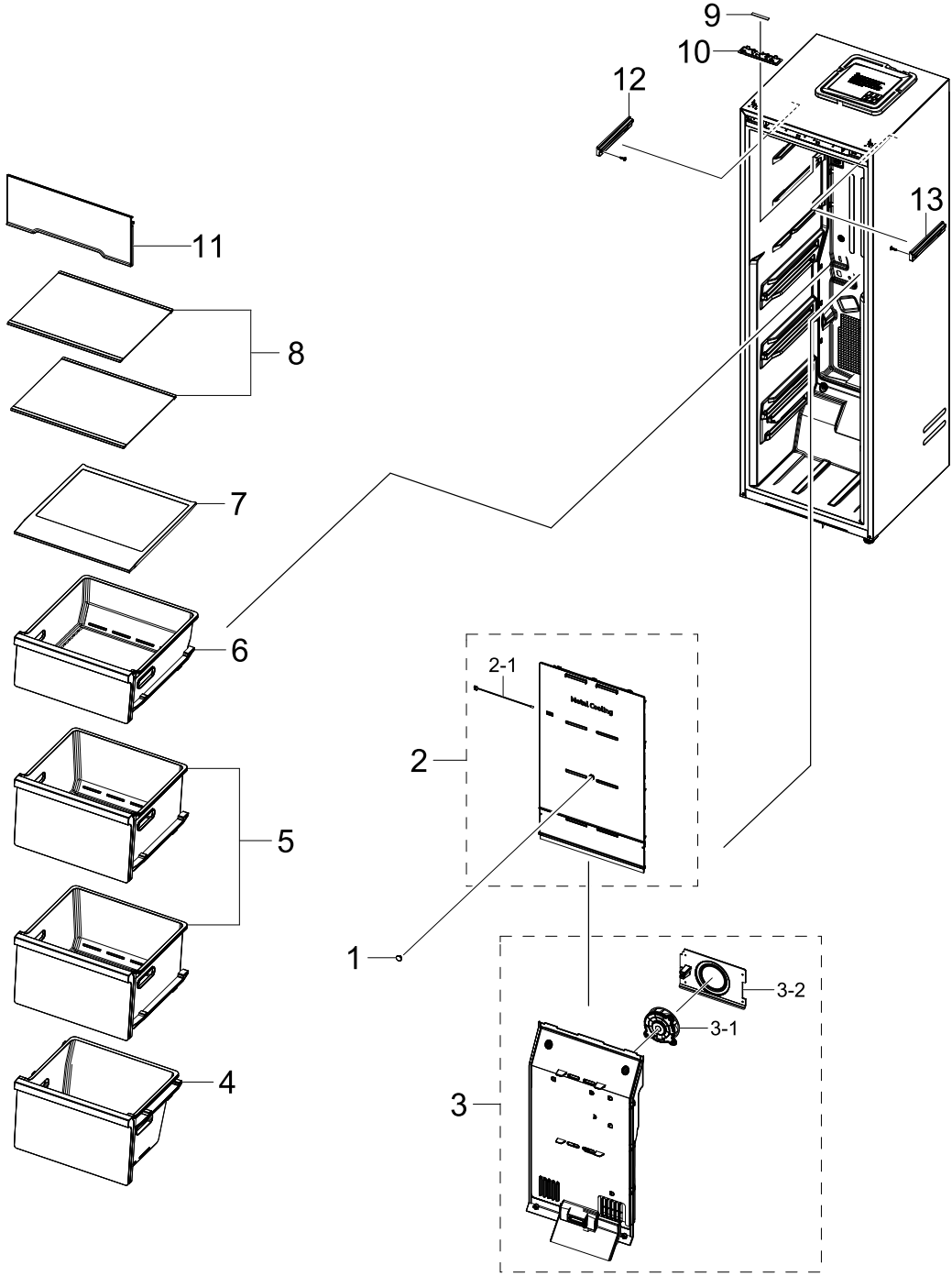


1. FREEZER

FREEZER

Exploded View



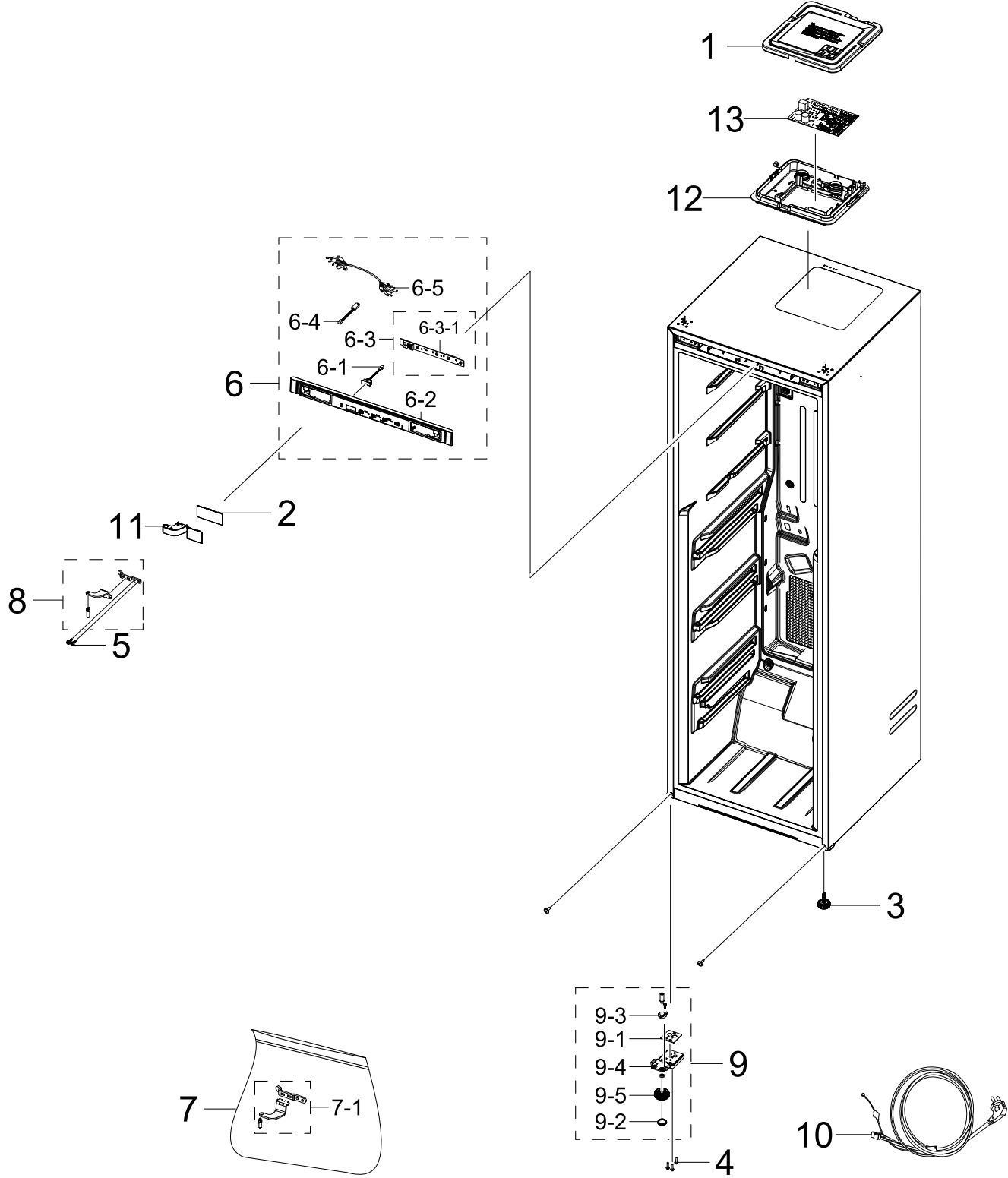
Parts List

No.	Lvl.	Loc.	Material Code	Description & Specification	SNA	Qty.
1	2	A0270	DA67-30266K	CAP SCREW; A-TOP,PP,T1.5,HB,BJ750,COOL WH	SA	1
2	2	M0304	DA97-23194B	ASSY COVER MULTI-FRE; RR7000 SEPM,PP,META	SA	1
2-1	4	A1018	DA32-00070C	SENSOR TEMP; SC41200-021A,L250,13.2kohm,2	SA	1
3	2	M0303	DA97-23196A	ASSY COVER EVAP-FRE; RR7000 SEPM,COOL WHI	SA	1
3-1	3		DA31-00334D	MOTOR BLDC FAN; 12035GE-12M-YT,1775 7%,1	SA	1
3-2	3		DA61-15272A	CASE MOTOR-FRE; RR7000 SEPM,ABS,T2,BLACK,	SA	1
4	2	A1186	DA97-17505F	ASSY CASE BASKET-LOW; RR7000,HOT STAMPING	SA	1
5	2		DA97-17506F	ASSY CASE BASKET-MIDDLE; RR7000,HOT STAMP	SA	2
6	2		DA97-17507F	ASSY CASE BASKET-UP; RR7000,HOT STAMPING	SA	1
7	2	M0351	DA97-17523B	ASSY SHELF-FRE; RR7000M,WITHOUT SUPPORT H	SA	1
8	2		DA97-17520D	ASSY SHELF-FRE UP; RR7000M,SEPM SPONGE SP	SA	2
9	2	G0090	DA41-00519R	ASSY LAMP LED; 3ea,CEM-1,65*10*1.6T,WHITE	SA	1
10	2	A0280	DA63-11613A	COVER LAMP; RR7000,SBC,T2,HB,NATURAL,-,KR	SA	1
11	2		DA63-08636B	COVER CHILLED ROOM; RR7000M,GPPS,-,HB,TP	SA	1
12	2		DA63-08637A	COVER RAIL-LEFT; RR7000M, FRE,HIPS,COOL W	SA	1
13	2		DA63-08639A	COVER RAIL-RIGHT; RR7000M, FRE,HIPS,COOL	SA	1

2. CABINET

CABINET

Exploded View



Parts List

No.	Lvl.	Loc.	Material Code	Description & Specification	SNA	Qty.
1	2		DA97-21372B	ASSY COVER PBA-MAIN; RR7000M,GI-SGCC,T0.4	SA	1
2	2		DA67-04890A	CAP CONTROL-FRONT; B-PJT RR7000M,ABS,T1.5	SA	1
3	2	Z1128	DA61-07546B	LEG-FRONT; GRAND CRU,PP,BLACK,-,P-002HB,R	SA	1
4	2	A0564	6011-008075	BOLT-HEX; M5(P0.8),L20,ZPC(WHT),HWH,+,SWR	SA	3
5	2	A0564	6011-001546	BOLT-HEX; M5(P0.8),L16,ZPC(WHT),HWH,+,SWR	SA	2
6	2	A0904	DA97-23165F	ASSY COVER CONTROL-FRONT; RR7000(B),INOX	SA	1
6-1	3		DA34-00043J	SWITCH REED; UL1007 AWG 22,50mm	SA	1
6-2	3		DA63-11645A	COVER CONTROL-FRONT; RR7000 B,ABS,-,HB,IN	SA	1
6-3	3		DA97-23128A	ASSY COVER CONTROL-PBA; RR7000M,Fridge/Fr	SA	1
6-3-1	4		DA92-00918C	ASSY MODULE; 7-SEG,MATRIX,RR7000M,FREEZER	SA	1
6-4	3	A1108	DA32-00074A	SENSOR HUMIDITY; 5V,0~100%RH,REF	SA	1
6-5	3		DA96-01358G	ASSY WIRE HARNESS-TOP; ALL,ALL,12VDC,UL+I	SA	1
7	2		DA91-04724N	ASSY INSTALL-REVERSIBLE KIT; RR7000(B),SE	SA	1
7-1	3		DA97-20476A	ASSY HINGE-UP RIGHT; RR7000(B),T4	SA	1
8	2		DA97-20475A	ASSY HINGE-UP LEFT; RR7000(B),T4	SA	1
9	2		DA97-20474D	ASSY HINGE-LOW LEFT; RR7000B,T4,Open Angl	SA	1
9-1	3		DA63-09669A	SHIM HINGE-LOW; RR7000(B),PVC,T2	SNA	1
9-2	3		DA63-06285A	COVER-FOOT; SUPER STAR,RT7000K,PP,T2.5,-,	SA	1
9-3	3	M0266	DA66-00401A	CAM-RISER; SAPPHIRE-PJT,PA66,BLACK,KN3311	SNA	1
9-4	3	A0247	DA61-13666B	HINGE-LOW; RR7000B,PO-SPHC,T4,-,-,-,Ope	SA	1
9-5	3	A0577	DA61-07280A	FOOT-FRONT; SUPER STAR,RT7000K,PP,BLACK,(SA	1
10	2	A0273	3903-001015	POWER CORD-AT; H05VV-F 3x0.75mm2,BLK,EU3F	SA	1
11	2		DA63-11618A	COVER WIRE-HINGE LEFT; RR7000,ABS,-,HB,IN	SA	1
12	2		DA97-21247A	ASSY CASE PBA; RB7300T,T2.3,INOX GRAY,PP,	SNA	1
13	1		DA94-06511C	ASSY PCB EEPROM; 0x1A,DA92-01296L,D601,D6	SA	1

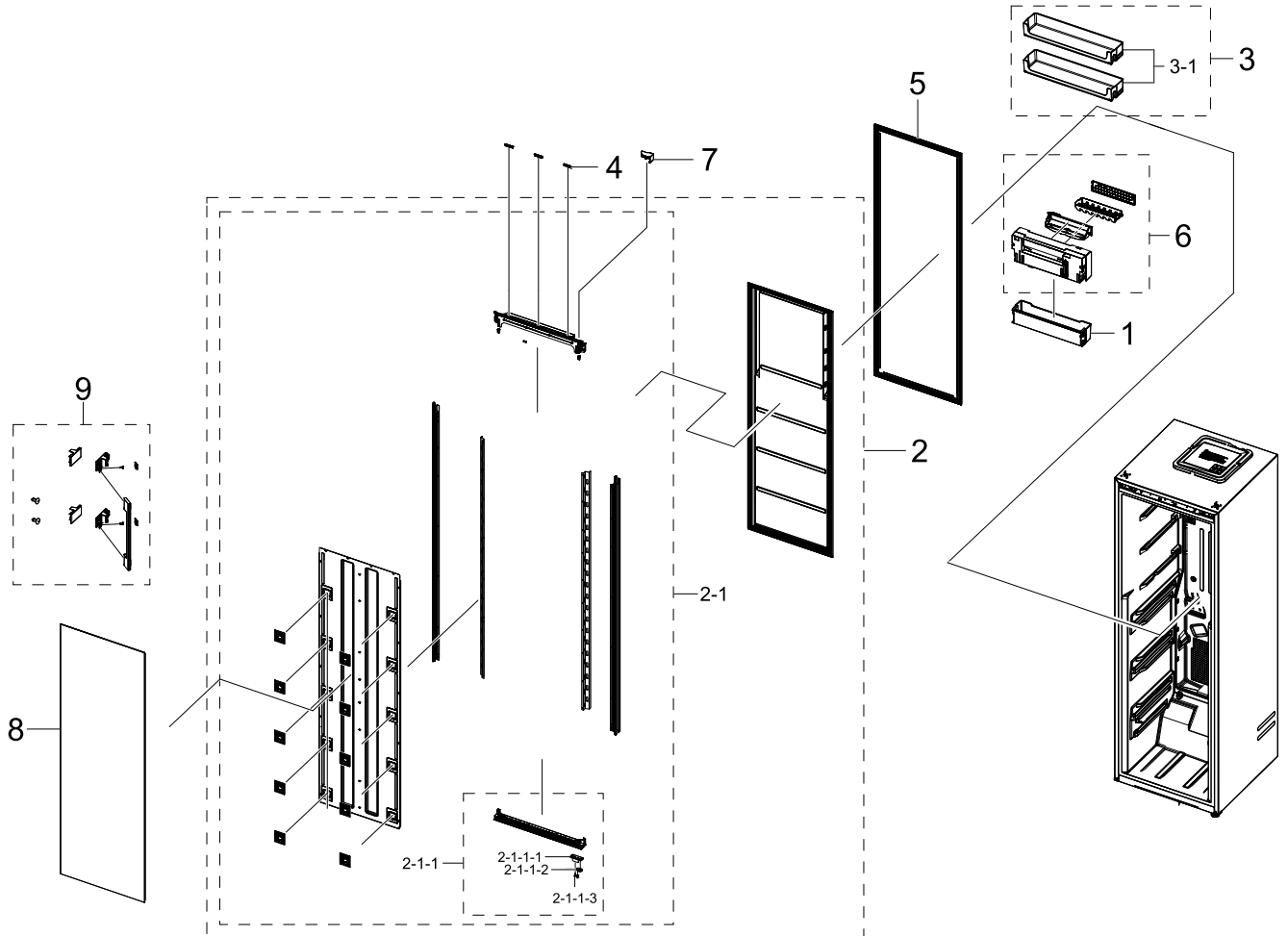
Exploded Views and Parts List

No.	Lvl.	Loc.	Material Code	Description & Specification	SNA	Qty.
2	2		DA97-23328C	ASSY COMP N CONDENSING-COND MODULE; RR700	SNA	1
2-1	3		DA97-23327C	ASSY CHASSIS-SUB; RR7000M SEPM,FRE, PFC-B	SNA	1
2-1-1	4	A0529	DA97-21175A	ASSY TRAY DRAIN WATER; RB7300T,Fan, PFC-B	SA	1
2-1-1-1	5		DA97-21381A	ASSY TRAY DRAIN WATER-SUB; RB7300T	SA	1
2-1-1-2	5	M0116	DA97-20025B	ASSY SUPPORT-CIRCUIT MOTOR; RS5000RC,C160	SA	1
2-1-1-3	5		DA97-21518A	ASSY PIPE IMMERSING; RB7300T,PIPE IMMERGI	SA	1
2-1-2	4	A0526	DA97-23291A	ASSY CHASSIS COMP; RR7000M,GI-SGCC,T0.8	SA	1
2-1-2-1	5	A0861	DA60-90146A	PIN-CASTER; SR-289-429,MSWR10,L38	SNA	2
2-1-2-2	5	A0527	DA61-06202A	CASTER-REAR; GRAND-CRU,PP,NATURAL	SA	2
2-3	3		NN34H9112APTT5	CMP,COMP,REFRIGERATOR,R-600A; CMP,COMP,REFRIGERATOR,R-600A		1
2-3-1	4	Z1032	DA63-09845A	COVER RELAY; RB7300T,MPPE,T2,V-0,BLACK,N3	SA	1
2-4	3	A0562	DA39-20389A	ASSY WIRE HARNESS-EARTH; EARTH,ALL,FREE V	SA	1
3	2		DA60-00281A	FITTING LOCK SLEEVE; SUM23,ID5.02,11SMnPb	SA	1
4	2		DA97-11843B	ASSY DRAIN HOSE-LOW; RR7000A,HDPE	SA	1
5	2	A0669	DA62-04309C	DRYER; C1220T-H,L118,SINGLE MOUTH,For Cap	SA	1
6	2		DA72-60040W	SEAL-CUTT RUBBER; TD-PJT,RUBBER,T5,W35,L3	SA	1
7	2	A0523	DA73-10190U	PIPE-CONNECT DISC,B; ALL,C1220T,Cu,OD6.35	SA	1
8	2		DA60-00279A	FITTING LOCK RING; SUM23,-,SILVER,-,16,	SA	1
9	2		DA60-00280A	FITTING-LOKRING 33; SUM23,ID3/16,33, 11SM	SA	1
10	2	M0076	DA97-23342A	ASSY COVER COMP; RR7000M SEPM,GL-SGLCC,T0	SA	1

4. ASSY DOOR

ASSY DOOR

Exploded View



Parts List

No.	Lvl.	Loc.	Material Code	Description & Specification	SNA	Qty.
1	2		DA97-17502A	ASSY CASE ICE; RR7000M	SA	1
2	2	A0051	DA94-06549A	ASSY DOOR FOAM FRE; RR7000,CUSTOM PANEL	SA	1
2-1	3		DA97-23199A	ASSY PLATE DOOR-FRE; RR7000,CUSTOM PANEL,	SNA	1
2-1-1	4	A0047	DA97-23198A	ASSY CAP DOOR-FRE LOW; RR7000,ASSY, BLACK	SNA	1
2-1-1-1	5	A0640	DA61-11383A	STOPPER DOOR; RR7000M,PO-SPHC,T3,-,-,T3	SA	1
2-1-1-2	5	M0389	DA66-00344A	CAM-HINGE RISER LOW; USP05(ATOP,ET),PA66,	SC	1
2-1-1-3	5	G0412	6002-000613	SCREW-TAPPING; TH,+,-,2,M5,L16,ZPC(WHT),S	SNA	2

Exploded Views and Parts List

No.	Lvl.	Loc.	Material Code	Description & Specification	SNA	Qty.
3	2		DA97-17681E	ASSY GUARD-FRE; RR7000M,NO WRAP VINYL, HO	SA	2
3-1	3	A0711	DA63-08638B	GUARD-FRE; RR7000,GPPS,T3,TP BLUE,-,HB,14	SA	2
4	2		DA63-09686A	COVER CAP DOOR; ABS,T1.5,DARK GRAY,RM-076	SA	3
5	2		DA97-23090F	ASSY GASKET; RR7000,FRE, DARK GRAY, BeSpo	SA	1
6	2		DA97-17503C	ASSY ICE MAKER-INDOOR; RR7000M,TRAY ICE (SA	1
7	2		DA63-09628B	COVER DOOR-RIGHT; RR7000M,ABS,T1.5,-,DARK	SA	1
8	2		DA99-04529C	ASSY ACCESSORY-CUSTOM PANEL; RR7000,B-PJT	SA	1
9	2		DA98-02929B	ASSY HANDLE-KIT; RR5000R(B)	SA	1