
[DV5000T]DV80T5220TT/S3 EXPLODED VIEWS AND PARTS LIST

[MATERIAL CODE STANDARDS]

Material codes and names and their respective naming rules are managed in accordance with the prescribed standards. Please refer to these standards when requesting a material.

1. Material Code Type

- : Number
- : Letter (Alphabet)

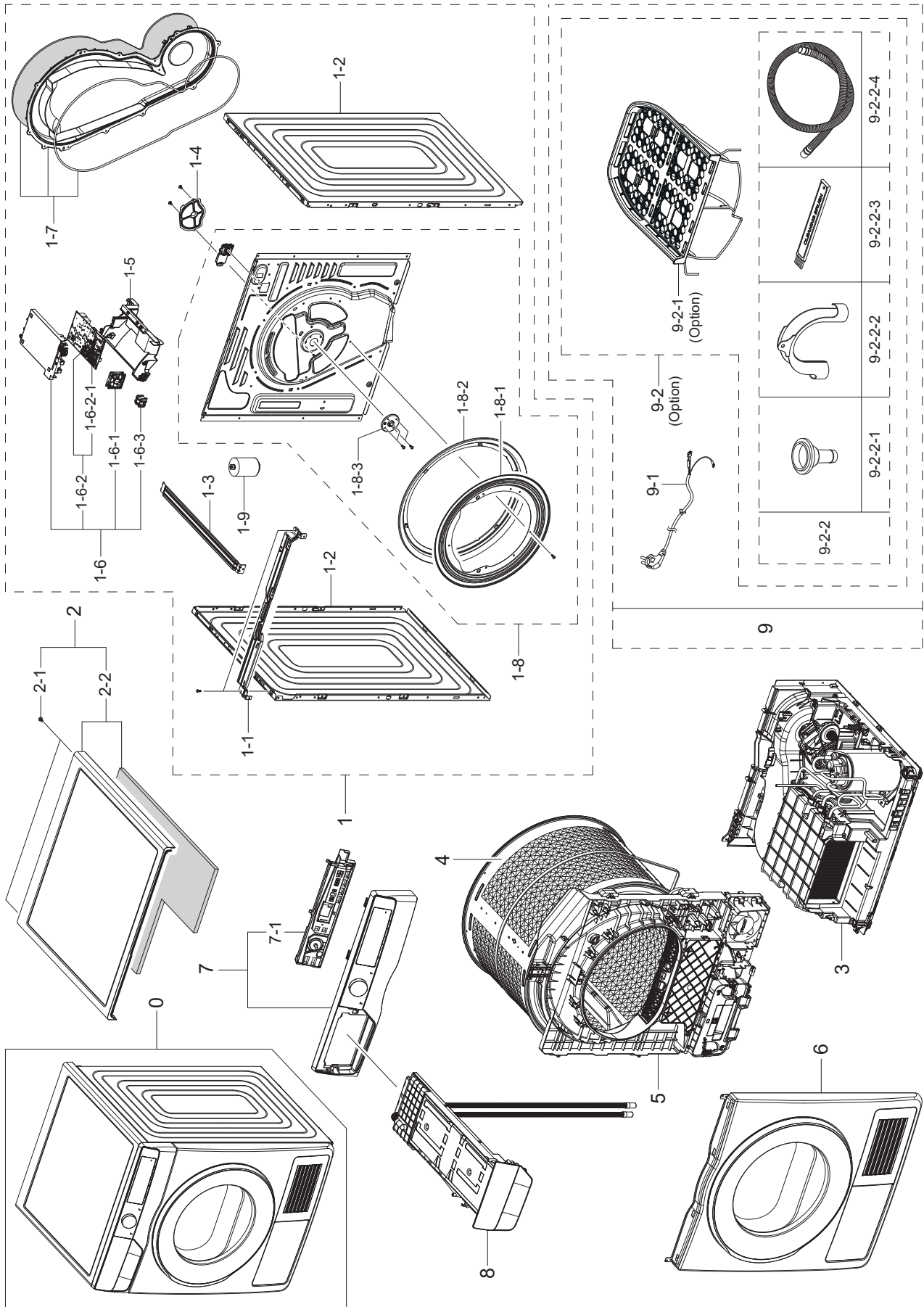
Type 1	●●●● - ●●●●●● ex) 0204-000418 FREON	Enterprise-wide parts Type 1 materials can be used for all Samsung Electronics products. (Most electrical parts belong to this type.)
Type 2	■●●● - ●●●●●■ ex) DD96-01390A ASSY-CONTROL	Division-wide parts (DC**-Washing machine) Type 2 materials can be used for specific products. (Most instruments and tools belong to this type.)

2. Ass'y Materials

All ass'y material codes start with DD9*.

An ass'y material is created by combining more than two materials. If a requested material cannot be provided, you can request an ass'y material that contains that material.

5-1. MAIN

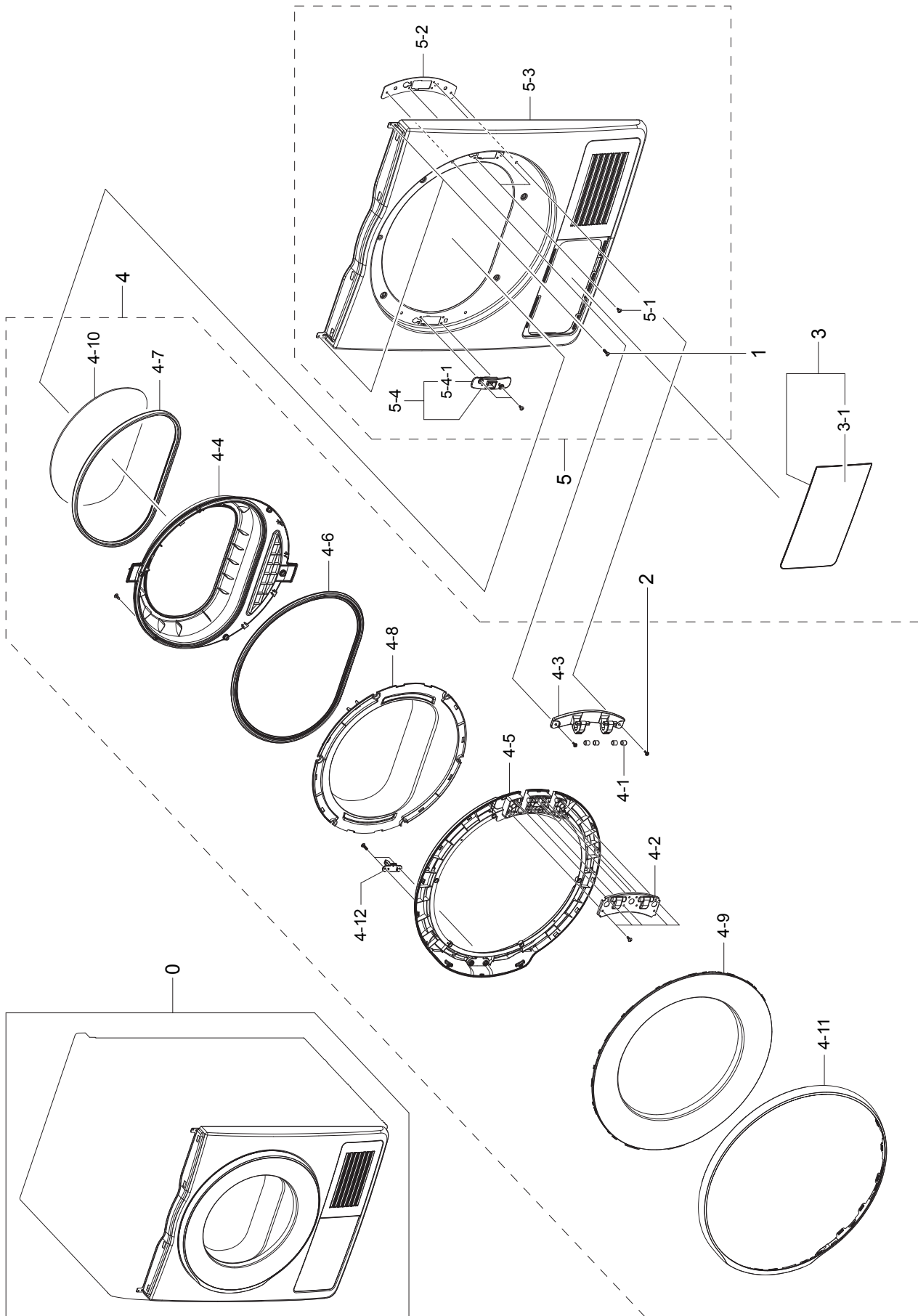


MODEL CODE: DV80T5220TT/S3

Service Bom (SA: SERVICE AVAILABLE, SNA: SERVICE NOT AVAILABLE)

Drawing No.	Code No.	Description	Specification	QTY	Un	SA/SNA
0	DV80T5220TT/S3	ASSY-CLOTHES DRYER	DV5000T			
1	DC90-28422D	ASSY FRAME CASE PARTS	DV5,6,7,8000T,DV80	1	PC	SNA
1-1	DC61-03629C	FRAME PLATE-UP	DV5000T,GI-SGCC,T1	1	PC	SA
1-2	DC61-03638A	FRAME-SIDE	DV90F5E6HGW,EGI-SECC,DA WHITE	2	PC	SA
1-3	DC61-03639A	GUIDE WIRE	DV90F5E6HGW,GI-SGCC,T1	1	PC	SA
1-4	DC63-01263A	COVER BEARING	SDC18809,EGI-SECC,T0.8,W10	1	PC	SA
1-5	DC63-02922A	COVER PCB	DV90T5240AW/S2,ABS,T2.5,5VA,NA	1	PC	SA
1-6	DC92-02678U	ASSY HOLDER PCB	DV5000T,DV80T5220AE/S1,D	1	PC	SNA
1-6-1	DC31-00197C	MOTOR BLDC FAN	G5015M12D1,4500rpm,12V,20	1	PC	SA
1-6-2	DC94-13106A	ASSY PCB EEPROM	0040,EEPROM,DV5000T,24"	1	PC	SA
1-6-3	DC63-02638A	COVER CONNECTOR	DV90T5240AW/S3,ABS,T3,5V	1	PC	SA
1-7	DC93-00880A	ASSY COVER DUCT	DV5000T,DV90T5740BV	1	PC	SA
1-8	DC97-22206B	ASSY FRAME-REAR	DV6000T,DV90T6240HT,RIGH	1	PC	SA
1-8-1	DC61-02263A	BRACKET GASKET FELT	DCVH480EK0WW,STS430,	1	PC	SA
1-8-2	DC93-00754A	ASSY GASKET FELT	DV5000M,DV70M5220IW/EN	1	PC	SA
1-8-3	DC97-16288A	ASSY HOUSING BEARING	D100-PJT,SDC18809(O	1	PC	SA
1-9	DC29-00023A	FILTER EMI	200Khz,6.5mH MIN/1/-,53*96.5*	1	PC	SA
2	DC90-28386A	ASSY COVER TOP PARTS	DV6000T,DV90T6240HT	1	PC	SNA
2-1	6002-001431	SCREW-TAPPING	HEX,+2,M5,L16,ZPC(WHT),SWRCH 18A	2	PC	SA
2-2	DC97-22224A	ASSY COVER TOP	DV6000T,DV90T6240HT/S3,DA	1	PC	SA
3	DC90-28411B	ASSY BASE PARTS	DV5000T,DV90T5240AW/S2	1	PC	SNA
4	DC90-13381A	ASSY DRUM	DV-F500E 9KG	1	PC	SNA
5	DC90-28388A	ASSY INNER PARTS	DV6000T,DV90T6240HT/S3	1	PC	SNA
6	DC90-28420F	ASSY FRONT PARTS	DV5000T,DV80T5220TW/S3	1	PC	SNA
7	DC90-28384P	ASSY PANEL CONTROL PARTS	DV6000T,DV90T52	1	PC	SNA
7-1	DC92-02649E	ASSY MODULE	FCD_Touch Display,DV5000T,EU	1	PC	SA
8	DC90-28405L	ASSY DRAWER PARTS	DV5000T,DV90T5240AT/S3	1	PC	SNA
9	DC90-28399F	ASSY BUYER PARTS	DV5000T,DV80T5220AX/S3	1	PC	SNA
9-1	3903-001192	POWER CORD-AT	H05VV-F 3x1.0mm2,GRY,EU3F,	1	PC	SA
9-2-2	DC98-03342K	ASSY ACCESSORY	DV5000T,DV90T6240LH/S3	1	PC	SNA
9-2-2-1	DC61-02479A	GUIDE HOSE	SDC18809,PP,T1.5,L34.5,NATURA	1	PC	SA
9-2-2-2	DC62-10278A	HOSE HANGER	PUMP MODEL,PP,ID27,T1.5,HS95	1	PC	SA
9-2-2-3	DC67-01092A	BRUSH	DV16R8540KV,ABS,LIGHT GRAY	1	PC	SA
9-2-2-4	DC97-15757C	ASSY HOSE DRAIN	D100,SDC18809,L1998,ID9.	1	PC	SA

5-2. ASSY FRONT PARTS

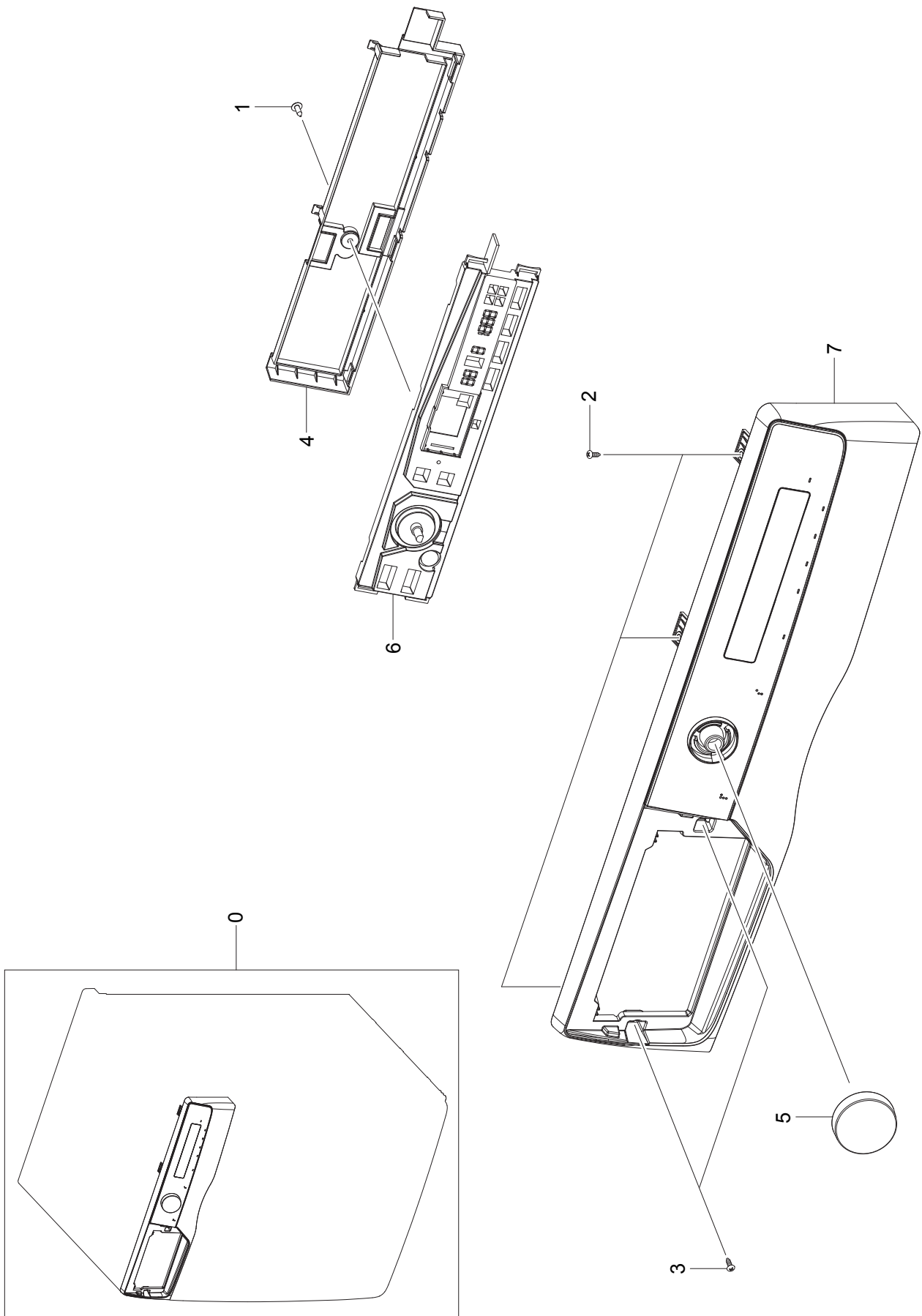


MODEL CODE: DV80T5220TT/S3

Service Bom (SA: SERVICE AVAILABLE, SNA: SERVICE NOT AVAILABLE)

Drawing No.	Code No.	Description	Specification	QTY	Un	SA/SNA
0	DC90-28420F	ASSY FRONT PARTS	DV5000T,DV80T5220TW/S3	1	PC	SNA
1	6006-001174	SCREW-TAPPING	TH,+,WT,2S,M4,L12,ZPC(WHT),SWR CH18A	2	PC	SNA
2	6009-001522	SCREW-HEX	HWH,+,M5,L16,PASS,STS430,FP,S EAL-	2	PC	SA
3	DC93-00877A	ASSY COVER CONDENSER	DV5000T,DV90T8240SH	1	PC	SNA
3-1	DC63-02078A	COVER CONDENSER	DV6000M,ABS,HB,DA WHITE,	1	PC	SA
4	DC97-22185D	ASSY DOOR-MODULE	DV5000T,DV90T5240TW/S1	1	PC	SNA
4-1	DC61-00891A	GUIDE HINGE	HAUZEN(DOM),POM,B,white,HING	4	PC	SA
4-2	DC61-04084A	SUPPORT HINGE	DV22K6800EW,GI-SGCC,T1.4	1	PC	SA
4-3	DC61-04217A	HINGE DOOR	DV6000K,ALDC,HB	1	PC	SA
4-4	DC61-04485B	HOLDER GLASS	DV70M50202W,PP,VERSAILLES G	1	PC	SA
4-5	DC61-05156A	HOLDER GLASS	DV90T5740BV,PP,VERSAILLES G	1	PC	SA
4-6	DC62-00696B	SEAL DOOR	DV90T5540BV,TPE	1	PC	SA
4-7	DC62-00736B	SEAL AIR	DV90T5240AW/S3,TPE,Non coating	1	PC	SA
4-8	DC63-02114A	COVER DOOR	DV5000M,ABS,HB,DA WHITE,750SW	1	PC	SA
4-9	DC63-02628B	COVER GLASS	DV90T6240HT/S3,PP+TD30%,DA W	1	PC	SA
4-10	DC64-03449A	DOOR GLASS	DV6000K,GLASS,T3.2,CLEAR TP	1	PC	SA
4-11	DC64-03949C	DECORATION COVER DOOR	DV90T7240BH/S3,ABS	1	PC	SA
4-12	DC66-00643A	LEVER DOOR	DV-F500E,ZNDC,PLATING NI	1	PC	SA
5	DC97-22234A	ASSY FRAME FRONT	DV6000T,DV90T6240HT/S3,	1	PC	SA
5-1	6001-001773	SCREW-MACHINE	TH,+,M5,L12,PASS,STS304,2,SEAL-LOCK	2	PC	SA
5-2	DC61-02283C	BRACKET HINGE	DV5000M,HGI-SGHC,T2	1	PC	SA
5-3	DC61-03640J	FRAME FRONT	DV5000M,GI-SGCD,DA WHITE,T0.	1	PC	SA
5-4	DC97-15505B	ASSY HOLDER LEVER	D100,SDC18809,DARK HOL	1	PC	SA
5-4-1	DC61-02253B	HOLDER LEVER	D100,POM,DARK HOLDER GRAY	1	PC	SA

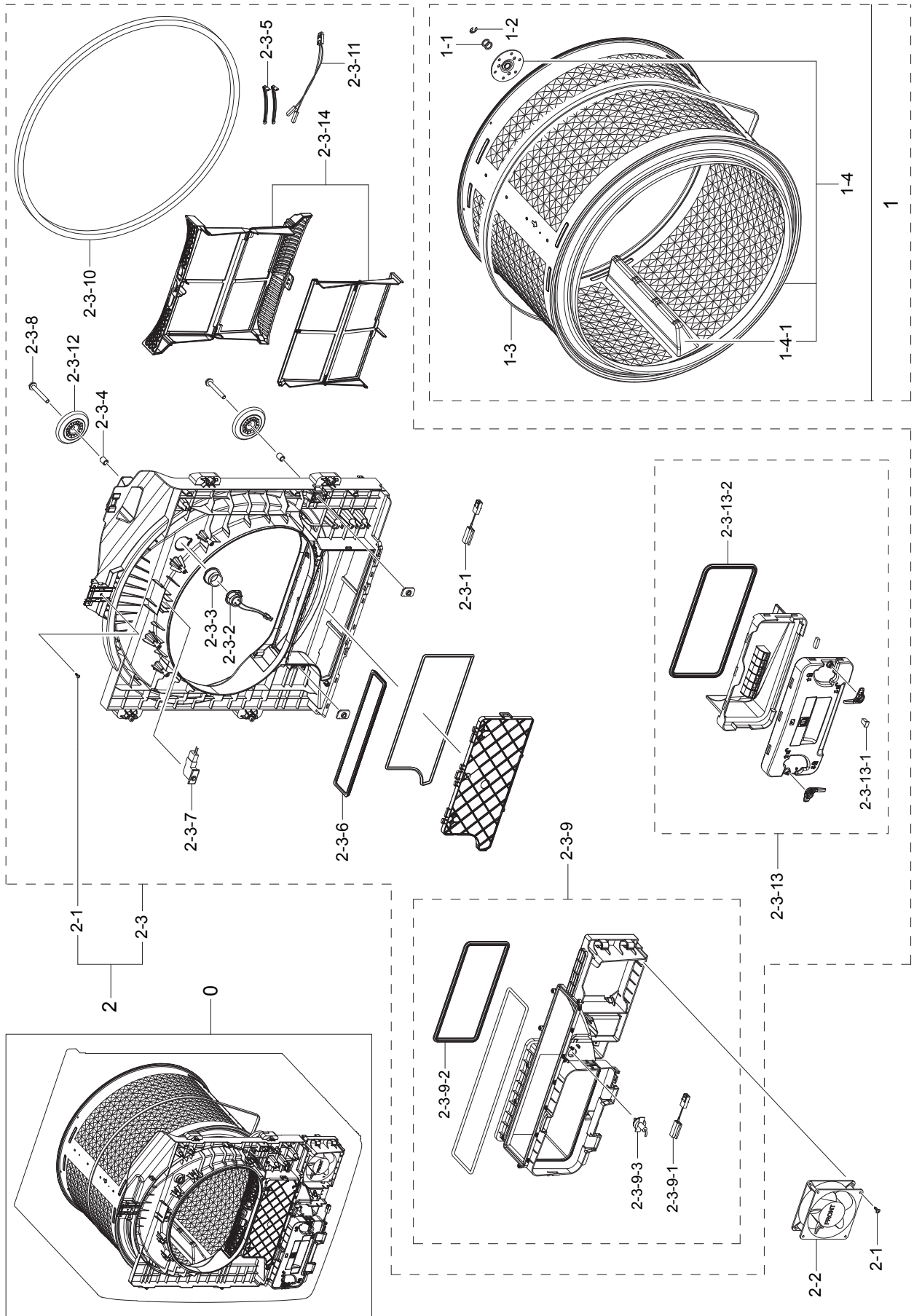
5-3. ASSY PANEL CONTROL PARTS



MODEL CODE: DV80T5220TT/S3Service Bom (**SA**: SERVICE AVAILABLE, **SNA**: SERVICE NOT AVAILABLE)

Drawing No.	Code No.	Description	Specification	QTY	Un	SA/SNA
0	DC90-28384P	ASSY PANEL CONTROL PARTS	DV6000T,DV90T52	1	PC	SNA
1	6002-000213	SCREW-TAPPING	1,M4,L12,ZPC(WHT),SWRCH18A	1	PC	SNA
2	6002-000239	SCREW-TAPPING	TH,+,NO,2S,M4,L8,ZPC(WHT),SWRCH18A	3	PC	SNA
3	6002-000445	SCREW-TAPPING	TH,+,NO,2,M4,L18,PASS,STS430	2	PC	SNA
4	DC63-02571A	COVER PCB-SUB	DV90T5740BV,PP,T2,HB	1	PC	SA
5	DC64-03921A	KNOB ENCODER	A1 SIMPLE,ABS,HB,NATURAL,CH	1	PC	SA
6	DC92-02649E	ASSY MODULE	FCD_Touch Display,DV5000T,EU	1	PC	SA
7	DC97-22191E	ASSY PANEL CONTROL	DV5000T,DV90T5240AT/S	1	PC	SA

5-4. ASSY DRUM & ASSY INNER PARTS

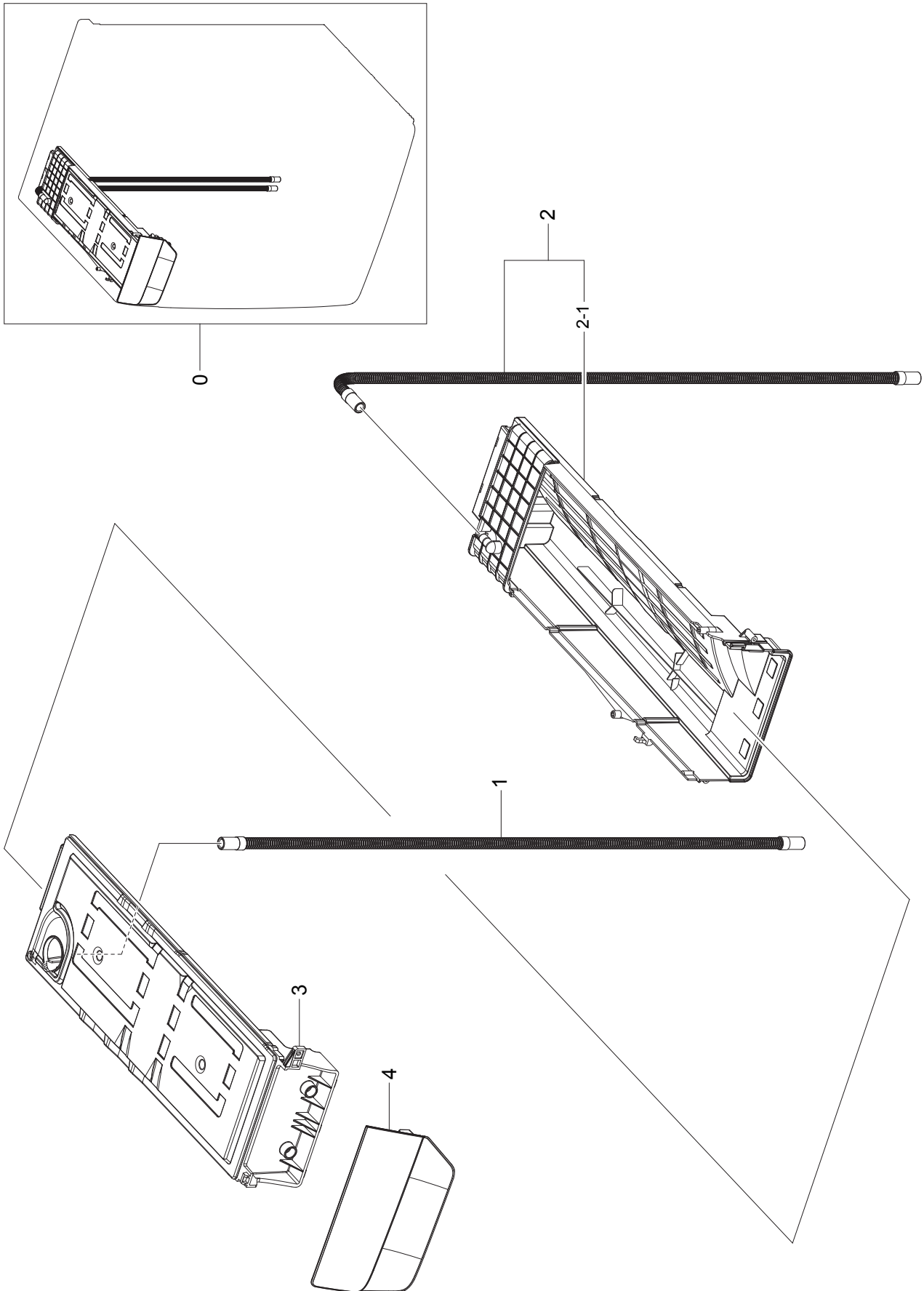


MODEL CODE: DV80T5220TT/S3

Service Bom (SA: SERVICE AVAILABLE, SNA: SERVICE NOT AVAILABLE)

Drawing No.	Code No.	Description	Specification	QTY	Un	SA/SNA
0		ASSY DRUM & ASSY INNER PARTS	DV5000T	1	PC	SNA
1	DC90-13381A	ASSY DRUM	DV-F500E 9KG	1	PC	SNA
1-1	6031-002038	WASHER-PLAIN	PA,ID12,OD17,T1,ZPC(BLK)	2	PC	SNA
1-2	6044-001784	RING-C	ID11.1,STW-12,T1.0,BLK,SK5	1	PC	SA
1-3	6602-002024	BELT-TIMING GEAR	7PH1970,RUBBER,T2.7,L19	1	PC	SA
1-4	DC97-17465H	ASSY DRUM WRAPPER-MODULE	DV22N6800HW/A2,	1	PC	SA
1-4-1	DC66-00541A	DRUM LIFTER	GE24-DRYER,PP,T3.0,FC2210,GR	3	PC	SA
2	DC90-28388A	ASSY INNER PARTS	DV6000T,DV90T6240HT/S3	1	PC	SNA
2-1	6002-001306	SCREW-TAPPING	TH,+,1,M4,L14,ZPC(WHT),SWRCH18A	1	PC	SNA
2-1	6002-001306	SCREW-TAPPING	TH,+,1,M4,L14,ZPC(WHT),SWRCH18A	1	PC	SNA
2-2	DC31-00198A	MOTOR BLDC FAN	F1238L12B1-FS-TTL-ACC,200	1	PC	SA
2-3	DC97-22169B	ASSY DRUM FRONT	DV90T5240AW/S3,810	1	PC	SA
2-3-1	DC34-00001G	SWITCH REED	14~30,370mm,25.4±0.5mm,14mm,	1	PC	SA
2-3-2	DC47-00027A	ASSY LAMP LED	2ea,FR-1,14*12,WHITE,AMP 5	1	PC	SA
2-3-3	DC61-02457A	FIXER LAMP	D100-DRYER,EPDM,GRAY	1	PC	SA
2-3-4	DC61-02485A	BUSH BEARING	SDC18809,SWRCH10A,ID8,OD12,	2	PC	SA
2-3-5	DC61-04406A	PLATE SENSOR	DV80M8215AW/EG,STS430,T0.8	2	PC	SA
2-3-6	DC62-00735A	SEAL PACKING	DV90T5740BV,Si,DARK HOLDER	1	PC	SA
2-3-7	DC64-00828D	SWITCH DOOR	AC125-250V,7.5A,5A,BUTTON HE	1	PC	SA
2-3-8	DC66-00572A	SHAFT ROLLER	SDC18809,SWRCH10A,L61,OD8,Z	2	PC	SA
2-3-9	DC93-00874A	ASSY DUCT FRONT	DV5000T,DV90T5240BW	1	PC	SA
2-3-9-1	DC34-00001G	SWITCH REED	14~30,370mm,25.4±0.5mm,14mm,	1	PC	SA
2-3-9-2	DC62-00755A	SEAL CONDENSER	DV5000T,Si	1	PC	SA
2-3-9-3	DC90-10128G	ASSY THERMISTOR	DRYER,5V,-20~125°C,120mm,	1	PC	SA
2-3-10	DC93-00878B	ASSY GASKET PAD	DV5000T,DV90T5240AE/S1,E	1	PC	SNA
2-3-11	DC96-00766A	ASSY WIRE HARNESS-TOUCH	DRYER-L,-,,,,,,,	1	PC	SA
2-3-12	DC97-15768A	ASSY ROLLER	D100-PJT,SDC18809	2	PC	SA
2-3-13	DC97-22170A	ASSY FILTER GUIDE	DV5000T,DV90T5240BW	1	PC	SA
2-3-13-1	DA66-01072A	LATCH	LATOUR,POM,NATURAL,DC LATCH	1	PC	SA
2-3-13-2	DC62-00754A	SEAL CONDENSER	DV5000T,Si	1	PC	SA
2-3-14	DC97-22180A	ASSY CASE FILTER	DV6000T,DV90T6240HT/S3	1	PC	SA

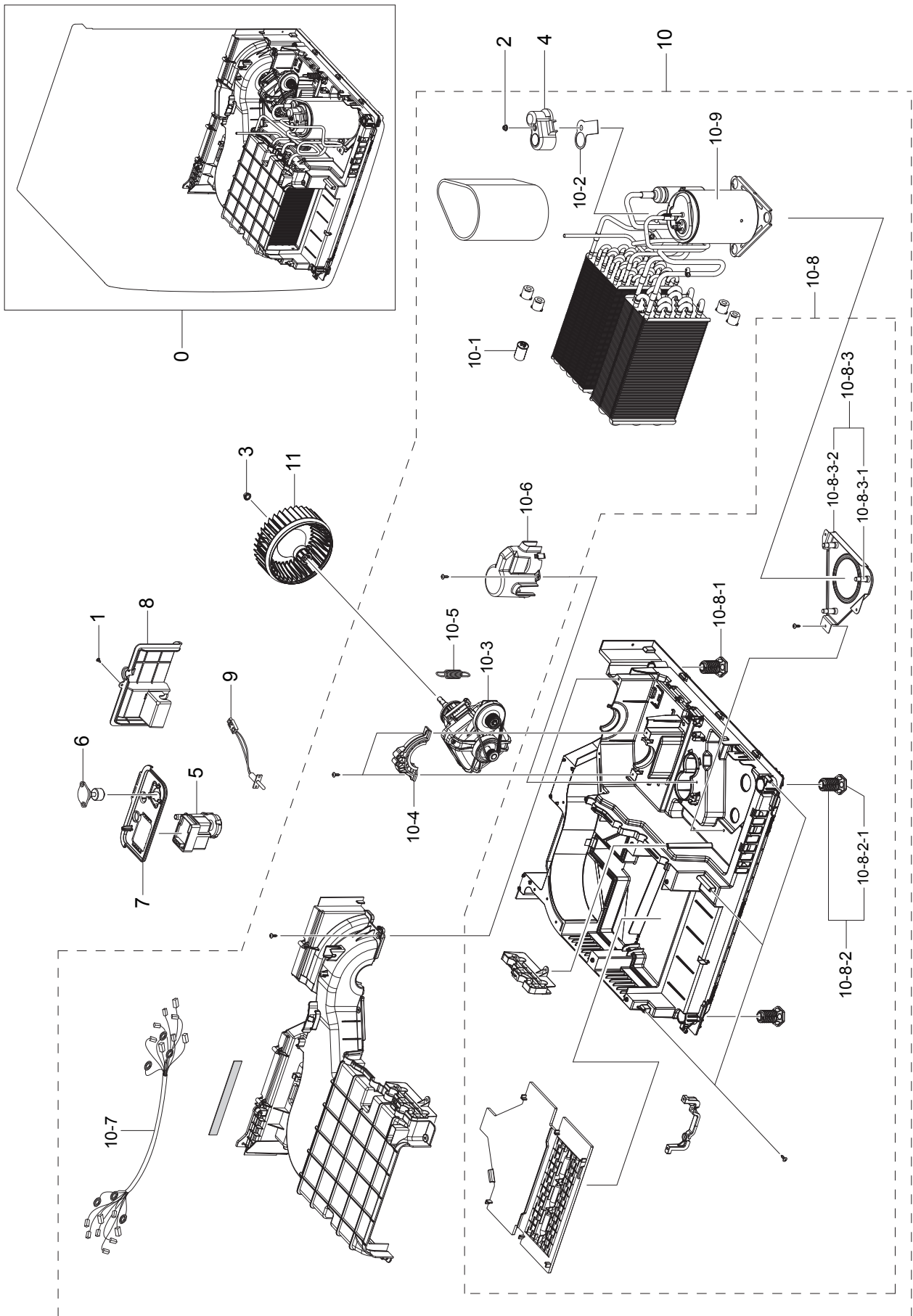
5-5. ASSY DRAWER PARTS



MODEL CODE: DV80T5220TT/S3Service Bom (**SA**: SERVICE AVAILABLE, **SNA**: SERVICE NOT AVAILABLE)

Drawing No.	Code No.	Description	Specification	QTY	Un	SA/SNA
0	DC90-28405L	ASSY DRAWER PARTS	DV5000T,DV90T5240AT/S3	1	PC	SNA
1	DC97-15757L	ASSY HOSE DRAIN	DV5000T,DV90T5740BW,Hous	1	PC	SA
2	DC97-17451D	ASSY HOUSING DRAWER	DV5000T,DV90T5740BW	1	PC	SA
2-1	DC61-03647A	HOUSING DRAWER	DV90D5E5HGW,PP,T2.5,NATUR	1	PC	SA
3	DC97-22204A	ASSY DRAWER	DV5000T,DV90T5740BV	1	PC	SA
4	DC97-22208J	ASSY PANEL DRAWER	DV5000T,INOX PEARL 2	1	PC	SA

5-6. ASSY BASE PARTS



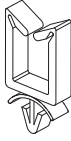
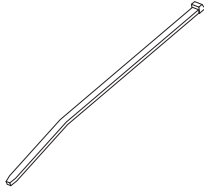



MODEL CODE: DV80T5220TT/S3

Service Bom (SA: SERVICE AVAILABLE, SNA: SERVICE NOT AVAILABLE)

Drawing No.	Code No.	Description	Specification	QTY	Un	SA/SNA
0	DC90-28411B	ASSY BASE PARTS	DV5000T,DV90T5240AW/S2	1	PC	SNA
1	6002-001306	SCREW-TAPPING	1,M4,L14,ZPC(WHT),SWRCH18A	2	PC	SNA
2	6021-001142	NUT-HEXAGON FLANGE	M5,ZPC(WHT),SWRCH10A,	1	PC	SNA
3	6021-001321	NUT-INCH	RIGHT TURN,3/8"-24,ZPC(BLK),SWR	1	PC	SNA
4	DB63-02310A	COVER TERMINAL	SABIC N1250,2.5,BLACK,no	1	PC	SA
5	DC31-00105A	MOTOR AC PUMP	B13-6AA01120,B13-6AA01120,	1	PC	SA
6	DC34-00010B	SWITCH FLOAT	50mm,2.5mm,50mm,AMP 177899-	1	PC	SA
7	DC61-05152B	HOLDER PUMP MOTOR	DV90T6240HT/S3,PP,T2.5	1	PC	SA
8	DC63-01609D	COVER PUMP	DV5000T,PP,T2.5,-,NATURAL,-,F	1	PC	SA
9	DC90-10128G	ASSY THERMISTOR	DRYER,5V,-20~125°C,120mm,	1	PC	SA
10	DC90-28416C	ASSY CIRCULATION SYSTEM PARTS	DV5000T,DV	1	PC	SA
10-1	2501-001233	C-OIL	15,-25to+80,450V,±5,50x65,#250,PP,	1	PC	SA
10-2	DB63-00817A	GASKET	R/COMP,SIR,T0.8,L80,60-70,Interna	1	PC	SA
10-3	DC31-00184E	MOTOR BLDC	D200B B,2600rpm,310V,1-5A,200	1	PC	SA
10-4	DC61-02467A	SUPPORT-MOTOR(U)	D100-PJT,PP,T3	1	PC	SA
10-5	DC61-02487A	SPRING ETC TENSION	SDC18809,HSWR,CD2.0,O	1	PC	SA
10-6	DC61-03633A	HOLDER CONDENSER	DV-F500E,PP,T2.5,NATURA	1	PC	SA
10-7	DC93-00773P	ASSY WIRE HARNESS-MAIN	DRYER-M,R134a,1IN	1	PC	SA
10-8	DC97-22163A	ASSY BOTTOM	DV5000T,DV90T6240HT/S3	1	PC	SNA
10-8-1	DC61-02447B	LEG	D100 DRYER,FRPP,NATURAL	2	PC	SA
10-8-2	DC61-04545A	LEG	DV5000M,FRPP,NATURAL	2	PC	SA
10-8-2-1	DC61-05178A	LEG RUBBER	DV5000T,EPDM,DARK HOLDER GRAY	2	PC	SA
10-8-3	DC97-17568A	ASSY BRACKET COMP	DV-F500E	1	PC	SNA
10-8-3-1	6011-001539	BOLT-ETC	M8,L36.5(10),ZPC(YEL),MSWR10,G1	3	PC	SA
10-8-3-2	DC61-03656A	BRACKET COMP	DV-F500E,GI-SGCC,T1,NATURAL	1	PC	SA
10-9	UX9CT1030JJASS	RCP,COMP,RCP(DRYER),J,R134A		1	PC	
11	DC93-00873A	ASSY FAN DRY	DV5000T,DV90T5740BV,FRPP	1	PC	SA

5-7. SMALL PARTS

				
1	2	3	4	5

MODEL CODE: DV80T5220TT/S3

Service Bom (**SA**: SERVICE AVAILABLE, **SNA**: SERVICE NOT AVAILABLE)

Drawing No.	Code No.	Description	Specification	Install. Point	QTY	Un	SA/SNA
1	DC61-40081A	HOLDER WIRE	DAWH-2NC,PA66,NATURAL	ASSY FRAME-REAR	1	PC	SA
2	DC61-60074A	HOLDER WIRE	PA,NATURAL,101F,rectangle	ASSY DRUM FRONT	1	PC	SNA
2	DC61-60074A	HOLDER WIRE	PA,NATURAL,101F,rectangle	FRAME REAR	1	PC	SNA
3	DC61-00553B	CABLE CLAMP	DAWS-3NE,PA66,NTR	ASSY DRUM FRONT	2	PC	SNA
3	DC61-00553B	CABLE CLAMP	DAWS-3NE,PA66,NTR	ASSY BOTTOM	1	PC	SNA
4	DC65-10001A	CABLE TIE	CT-140,T1.1,W3.5,L145,NTR,NYLON66	ASSY ACCESSORY	2	PC	SNA
5	DE65-20026A	HOLDER WIRE	PA,NATURAL,LOCK-TWIST/STAND/Y260STC/SSEC/NYLON66	GUIDE AIR FLOW	1	PC	SNA
5	DE65-20026A	HOLDER WIRE	PA,NATURAL,LOCK-TWIST/STAND/Y260STC/SSEC/NYLON66	FRAME REAR	2	PC	SNA

5-8. PARTS LIST (SCREW TYPE)

MODEL CODE: DV80T5220TT/S3

Service Bom (SA: SERVICE AVAILABLE, SNA: SERVICE NOT AVAILABLE)

Code No.	Description	Specification	QTY	Un	SA/ SNA
6001-000516	SCREW-MACHINE	PH,+,-,M3,L10,ZPC(WHT),SWRCH18A,-,-	3	PC	SNA
6001-001773	SCREW-MACHINE	TH,+ ,M5,L12,PASS,STS304,2,SEAL-LOCK	2	PC	SA
6002-000213	SCREW-TAPPING	TH,+ ,1,M4,L12,ZPC(WHT),SWRCH18A	18	PC	SNA
6002-000215	SCREW-TAPPING	TH,+ ,1,M4,L16,ZPC(WHT),SWRCH18A	15	PC	SNA
6002-000234	SCREW-TAPPING	TH,+ ,NO,2S,M4,L16,ZPC(WHT),SWRCH18A	12	PC	SNA
6002-000239	SCREW-TAPPING	TH,+ ,NO,2S,M4,L8,ZPC(WHT),SWRCH18A	15	PC	SNA
6002-000445	SCREW-TAPPING	TH,+ ,NO,2,M4,L18,PASS,STS430	8	PC	SNA
6002-000630	SCREW-TAPPING	PH,+ ,2S,M3,L8,ZPC(WHT),SWRCH18A	1	PC	SNA
6002-001149	SCREW-TAPPING	TH,+ ,NO,2S,M4,L12,NI PLT,SWRCH18A,ZnNi + TOP Coating	4	PC	SNA
6002-001286	SCREW-TAPPING	FH,+,-,1,M4,L16,PASS,STS430,-	3	PC	SNA
6002-001306	SCREW-TAPPING	TH,+ ,1,M4,L14,ZPC(WHT),SWRCH18A	45	PC	SNA
6002-001431	SCREW-TAPPING	HEX,+ ,2,M5,L16,ZPC(WHT),SWRCH18A	2	PC	SA
6002-001435	SCREW-TAPPING	TH,+ ,2,M4,L12,PASS,STS304	9	PC	SNA
6003-001768	SCREW-TAPTYPE	TH,+ ,WT,S,M4,L10,ZPC(WHT),SWRCH18A	4	PC	SNA
6006-001174	SCREW-TAPPING	TH,+ ,WT,2S,M4,L12,ZPC(WHT),SWRCH18A	13	PC	SNA
6009-001240	SCREW-SPECIAL	TH,+ ,M5,L13.5,ZPC(WHT),SWRCH18A,2	2	PC	SNA
6009-001343	SCREW-SPECIAL	PH,TORX,M4,L12,ZPC(WHT),SWRCH18A,1,2BODY	1	PC	SNA
6009-001522	SCREW-HEX	HWH,+ ,M5,L16,PASS,STS430,FP,SEAL-LOCK	2	PC	SA
DB97-02087A	ASSY-SCREW TAPPING	SS-P/J,TH,M4*L16,WHITE	2	PC	SNA