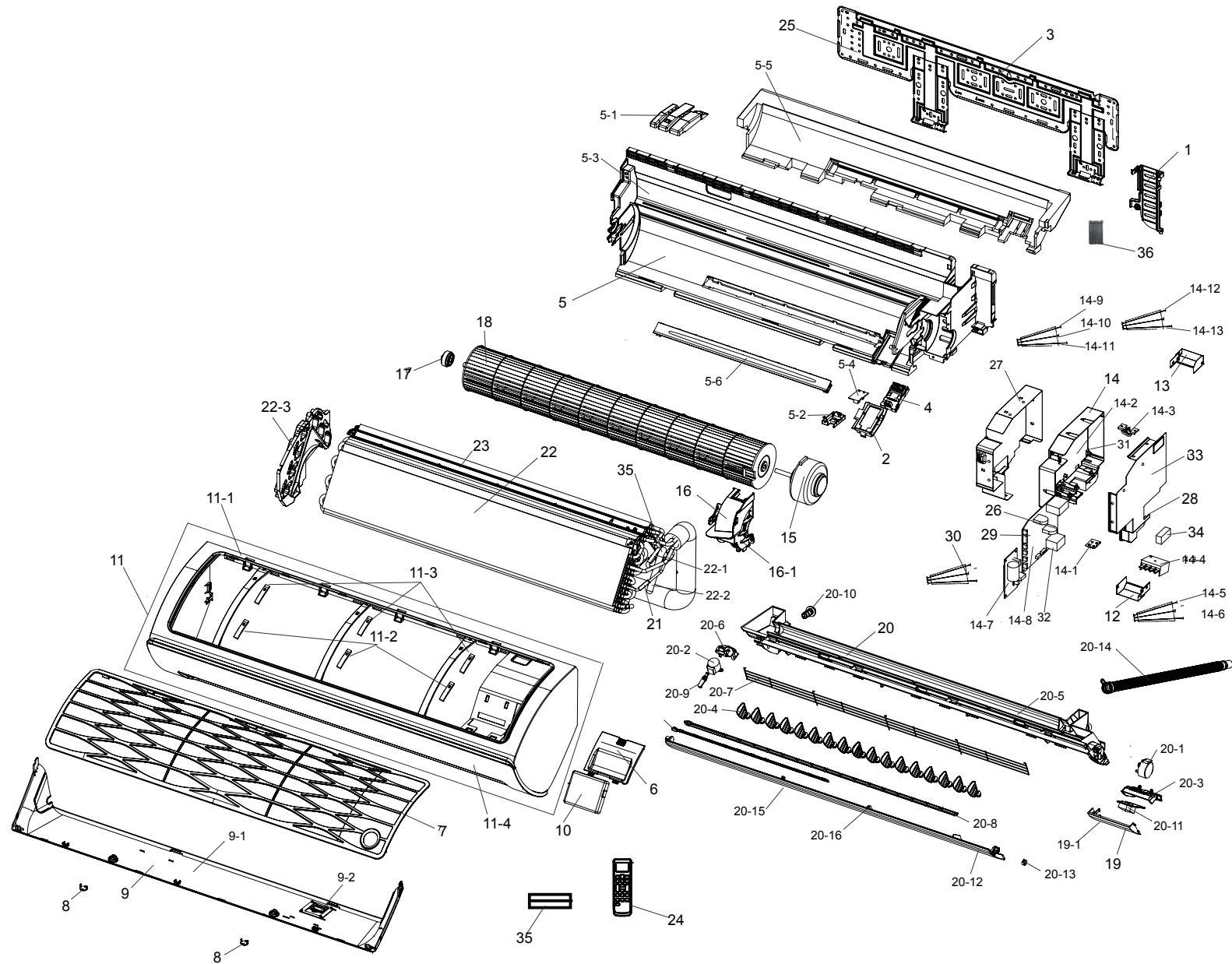


AR09HSSDBWKNEU

Exploded Views and Parts List

INDOOR UNIT



NO.	Parts Code	Parts Description	SPEC	Quantity	SA/SNA
				AR09HSSDBWKNEU	
1	DB61-05853A	HOLDER-PIPE	A3050, F-RAC-04, HIPS, BLACK, -, TSE:HLG41S, SSEC:PH88	1	SA
2	DB63-03495A	COVER-SPI	A3050, F-RAC-04, HIPS, -, BLACK, HLG41S, SSEC:PH-88	1	SA
3	DB90-07732A	ASSY HANGER	A3050 F-RAC-04, H268.5	1	SA
4	DB93-09679A	ASSY-SPI SLIM COMPACT	+2.95±0.15kV, -3.5±0.50kV, DC11.5V, SMD-HDN01, 36*59, 5*23.3, Wire Length 500mm	1	SA
5	DB94-04159A	ASSY BACK BODY	AR09FCSDAWKNAF, ASSY	1	SA
5-1	DB61-05849A	HOLDER	A3050, F-RAC-03/04/05, HIPS, BLACK, -, PH-88	1	SNA
5-2	DB61-05854A	CASE PCB-REMOCON	A3050, F-RAC-04, HIPS, -, BLACK, -, SSEC:PH-88, TSE:576H	1	SNA
5-3	DB61-05831A	BODY BACK	F-RAC-03, ABS, T2.3, BLACK	1	SNA
5-4	DB92-02874A	ASSY PCB SUB	RECEIVER, A3050, 24*40	1	SA
5-5	DB62-11536A	SEAL CUSHION-BODY	EPS, WHITE	1	SNA
5-6	DB90-07769A	ASSY CASE-SPI	A3050, F04	1	SA
6	DB63-03494A	COVER PANEL-SUB	A3050, F-RAC-04, HIPS, T2.0, -, DA WHITE, S834S1	1	SA
7	DB94-04365A	ASSY FILTER-PRE	AR12FSFNAWKNAF, SSEC	1	SA
8	DB67-01404A	CAP-SCREW	A3050, F-RAC-04, HIPS, T2.0, PH-888G, DA SILVER, ETCHING	3	SNA
9	DB92-02894A	ASSY-COVER PANEL	AR09FCFSAWKNAF, ASSY, F03	1	SA
9-1	DB63-03497A	COVER PANEL	F-RAC-03, HIPS, -, DA SILVER, PH-888G, ETCHING	1	SNA
9-2	DB64-03045A	BUTTON POWER	A3050, PC, MILK-WHITE	1	SA
10	DB90-07763A	ASSY-WIFI KIT	AR18FSSSBWK/SA, SSEC	1	SNA
11	DB92-02901B	ASSY PANEL FRONT	AR09HSSDBWKNMD, SSEC	1	SNA
11-1	DB92-02896B	ASSY PANEL FRONT SUB	F03, BETTER, ASSY	1	SA
11-2	DB61-06006A	GUIDE-UP	A3050, F-RAC-04, Better, HIPS, 1.5, PH-888G/S834S1	3	SA
11-3	DB61-06117A	GUIDE-LOW	A Better3050, F-RAC-04, HIPS, 1.5, S834S1	3	SA
11-4	DB64-02986C	GRILLE INLET	A3050 F-RAC-03, BETTER (TOC), ABS, DA WHITE, PMMA+ABS, INVERTER+SPI	1	SA
12	DB61-06079A	PLATE CONTROL-MIDDLE	A3050 F-RAC-04, GI-SGCC, T0.4, W56.5, -	1	SA
13	DB61-05965A	PLATE CONTROL-UP	A3050 F-RAC-03, GI-SGCC, T0.4, W 41.3, L88.8, -	1	SA
14	DB93-14235H	ASSY CONTROL IN	HP, INV, 12K, AR12HSSDBWK/EU, SSEC	1	SNA
14-1	DB61-05812A	PLATE CONTROL-SUB	A3050 F-RAC-01/03/04/05, GI-SGCC, T0.5, -	1	SNA
14-2	DB61-05826A	CASE CONTROL-IN	A3050, F-RAC-03/F04, HIPS, T1.8, BLACK, V0, F744	1	SNA
14-3	DB61-05871A	HOLDER-WIRE	A3050, ABS, EBONY BLACK, V0, SSEC:ABS2040	1	SNA
14-4	DB65-00326A	TERMINAL BLOCK	4P, PBT, 4-TAB, 4-SCREW, 300V, 25A (MAX 4MM ²), 36.4*47.0, BLK	1	SA
14-5	DB93-14207A	ASSY CONNECTOR WIRE-DC SIGNAL	3, 1007, 24, RED, SMH250-03L/WHT, SMH250-03L/WHT, 25045HP-02A/WHT, 260, -, -, RING23.5, 3, PBA-Thermal Fuse, A3050, N, -	1	SA
14-6	DB93-14447A	ASSY CONNECTOR WIRE-COMM	2, 1007, 22, BLU, YH396-02V/RED, 175020-1, ST710095, 190, -, -, TR19, 10, PBA-T/B, A3050, Y-CAP (22nF*4), -	1	SA
14-7	DB92-02861A	ASSY MODULE	STD #3 SMPS, A3050, 11W (5V 350mA, 12V 680mA, 19V 50mA)	1	SA
14-8	DB92-02873A	ASSY PCB MAIN	INDOOR, INVERTER, A3050, 98.5*120, 230, 310, STD#4, B LDC FAN	1	SA
14-9	DB93-14202A	ASSY CONNECTOR WIRE-POWER	2, 1015, 22, BRN, YH396-03V/WHT, YH396-03V/WHT, -, 200, PVC/600V/105°C/VW-1, 180, -, -, PBA-PBA, A3050, N, -	1	SA
14-10	DB93-14205A	ASSY CONNECTOR WIRE-DC SIGNAL	5, 1007, 26, RED, SMH200-05H/BLU, 25045HP-05A/BLU, -, 300, -, -, RING23.5, 2, PBA-WIRE, A3050, N, -	1	SA
14-11	DB93-14208A	ASSY CONNECTOR WIRE-DC SIGNAL	3, 1007, 26, RED, SMH250-05L/RED, SMH250-05L/RED, -, 150, -, -, -, PBA-PBA, A3050, N, -	1	SA

■ Parts List

14-12	DB93-14211A	ASSY CONNECTOR WIRE-DC SIGNAL	6, 2095, 26, RED, SMH200-06H/RED, 25045HP-06A/WHT, -, 250, -, -, -, -, PBA-WIRE, A3050, N, -	1	SA
14-13	DB93-14206A	ASSY CONNECTOR WIRE-DC SIGNAL	4, 2095, 26, ORG, SMH200-04H/WHT, SMH200-04H/WHT, -, 160, -, -, -, -, PBA-PBA, A3050, N, -	1	SA
15	DB31-00636A	MOTOR BLDC FAN	RD-310-25-8A (AL), 1450, 310V, 1, 25	1	SA
16	DB90-08006A	ASSY COVER-MOTOR	AR12FSSNAWKNA, ASSY	1	SA
16-1	DB63-03492A	COVER MOTOR	A3050, F-RAC-04, HIPS, -, NATURAL, SSEC:PH-88	1	SA
17	DB94-00455B	ASSY-RUBBER BEARING	WW-PJT, CR, BLK SSEC	1	SC
18	DB94-01550D	ASSY FAN CROSS	A3050, 95. 6PI, BLACK	1	SA
19	DB90-07851A	ASSY COVER DISPLAY	AR12FSSSBWKN, ASSY	1	SNA
19-1	DB64-02991A	WINDOW DISPLAY	A3050, F-RAC-03/04, PC, T1. 2, BLACK, 88 SEG., WIFI PRINTING	1	SA
20	DB94-04160A	ASSY TRAY DRAIN	AR09FCSDAWKNAF, ASSY, F03	1	SA
20-1	DB31-00369D	MOTOR STEP	DB31-00369D, 35BYJ46, 1. 47, 100PPS, DC12V	1	SA
20-2	DB31-00371A	MOTOR STEP	1step 5. 625°/64, DC12V, 650gf. cm	1	SA
20-3	DB61-05827A	CASE-DISPLAY	A3050, F-RAC-04, HIPS, BLACK, -, TSE:HLG41S, SSEC:PH88	1	SA
20-4	DB61-05846A	BLADE V	F-RAC-03/04/05, ABS, TWILIGHT BLUE	15	SNA
20-5	DB63-03501A	TRAY DRAIN	F-RAC-03, HIPS, T2. 0, BLACK	1	SNA
20-6	DB63-03493A	COVER MOTOR-SUB	A3050, F-RAC-04, HIPS, T2. 0, -, NATURAL, TSE:576H, SSEC:PH-88	1	SA
20-7	DB63-03529A	GUARD-SCREEN	A3050 F-RAC-03, MSWR-SWRM, BLACK	1	SNA
20-8	DB66-01728A	LINK BLADE-A	A3050, F-RAC-03, POM, BLACK	1	SA
20-9	DB66-01727A	LINK BLADE-C	A3050, F-RAC-04, POM, NATURAL	1	SNA
20-10	DB73-00180B	RUBBER-CAP DRAIN	all moel, NR, D22, 40, 40, RAC	1	SA
20-11	DB92-02877A	ASSY PCB DISPLAY	BETTER, BEST, A3050, 64*36	1	SA
20-12	DB92-02897A	ASSY BLADE H	AR09FCSDAWKNAF, ASSY, F03	1	SA
20-13	DB61-03132A	HOLDER-BLADE OUT	HP-C180V, STAINLESS-ST304, W11, L5, -, -, CRYSTAL-PJT ; T0. 5	1	SNA
20-14	DB94-00458H	ASSY HOSE DRAIN	A3050-PJT, SSEC	1	SA
20-15	DB61-05832A	BLADE H-TOP	A3050, F-RAC-03, ABS, DA WHITE	1	SA
20-16	DB61-05833A	BLADE H-BOTTOM	A3050, F-RAC-03, ABS, DA WHITE	1	SA
21	DB67-60030A	SPRING-SENSOR	WW2-PJT, STS301, 0. 4, T0. 4, W2. 7	2	SA
22	DB96-19014C	ASSY EVAP TOTAL	F03, SSEC	1	SNA
22-1	DB96-18900A	ASSY TUBE EVAP IN	AR09FCSDAWKNAF, F03, SSEC	1	SA
22-2	DB96-18901A	ASSY TUBE EVAP OUT	AR09FCSDAWKNAF, F03, SSEC	1	SA
22-3	DB61-05829A	HOLDER EVAP	A3050, F-RAC-04, ABS, BLACK, -, SSEC:HI-121H	1	SA
23	DB63-03511A	COVER EVAP	A3050 F-RAC-03, PP, T2. 0, -, BLACK, TSE:BJ750, SSEC:M1600	1	SA
24	DB93-14195A	ASSY WIRELESS REMOCON	RS-1, ENGLISH, 37. 0*25. 0, °C, RAC, A3050, Heat Pump, SAMSUNG	1	SA
25	DB61-05958A	HANGER-LINK	F-RAC-03/04, GI-SGCC, T0. 6	1	SA
26	4709-002176	W-LAN MODULE	CLM5501, SEMCO, BCM43143, 802. 11BGN, 300MW, LINUX	1	SA
27	DB61-05847A	CASE PCB	A3050 F-RAC-04, HIPS, -, BLACK, -, S834S1/PH-88, WIFI PCB	1	SA
28	DB63-03503A	COVER PCB	A3050 F-RAC-04, HIPS, -, BLACK, S834S1/PH-88, WIFI PCB	1	SA
29	DB92-02875A	ASSY PCB SUB	WIFI DC-DC CONVERTER, A3050, 32*28	1	SA
30	DB93-14203A	ASSY CONNECTOR WIRE-POWER	2, 1015, 22, BRN, YH396-03V/BLU, SPS-21T-250S, -, 250, HEAT SHRINK, 210, -, -, PBA-T/B, A3050, N, -	1	SA
31	DB61-05963A	SUPPORT-CONTROL	A3050, F-RAC-03, HIPS, F744, BLACK	1	SA
32	DB95-05163A	ASSY THERMISTOR IN	103HW, 6P, 360/320/360, UL1007, 24, 6, SMH200, PVC/105°C, 310/270/310	1	SA
33	DB61-05959A	PLATE CONTROL-RIGHT	A3050, F-RAC-03/04, GI-SGCC, T0. 4, W200. 3, L209. 4, -	1	SA
34	DB67-01431A	RUBBER PIPE	AR12FSSSBWKN, SIR, 8, NONFLAMMABLE, BLACK	1	SA
35	4301-000121	BATTERY-MN	1. 5V, R03, 10. 5x44. 5mm, 7. 5g, AAA	2	SA
36	DB61-06101A	CASE PCB-LOW	A3050 Common, HIPS, BLACK, V0, S834S1	1	SA