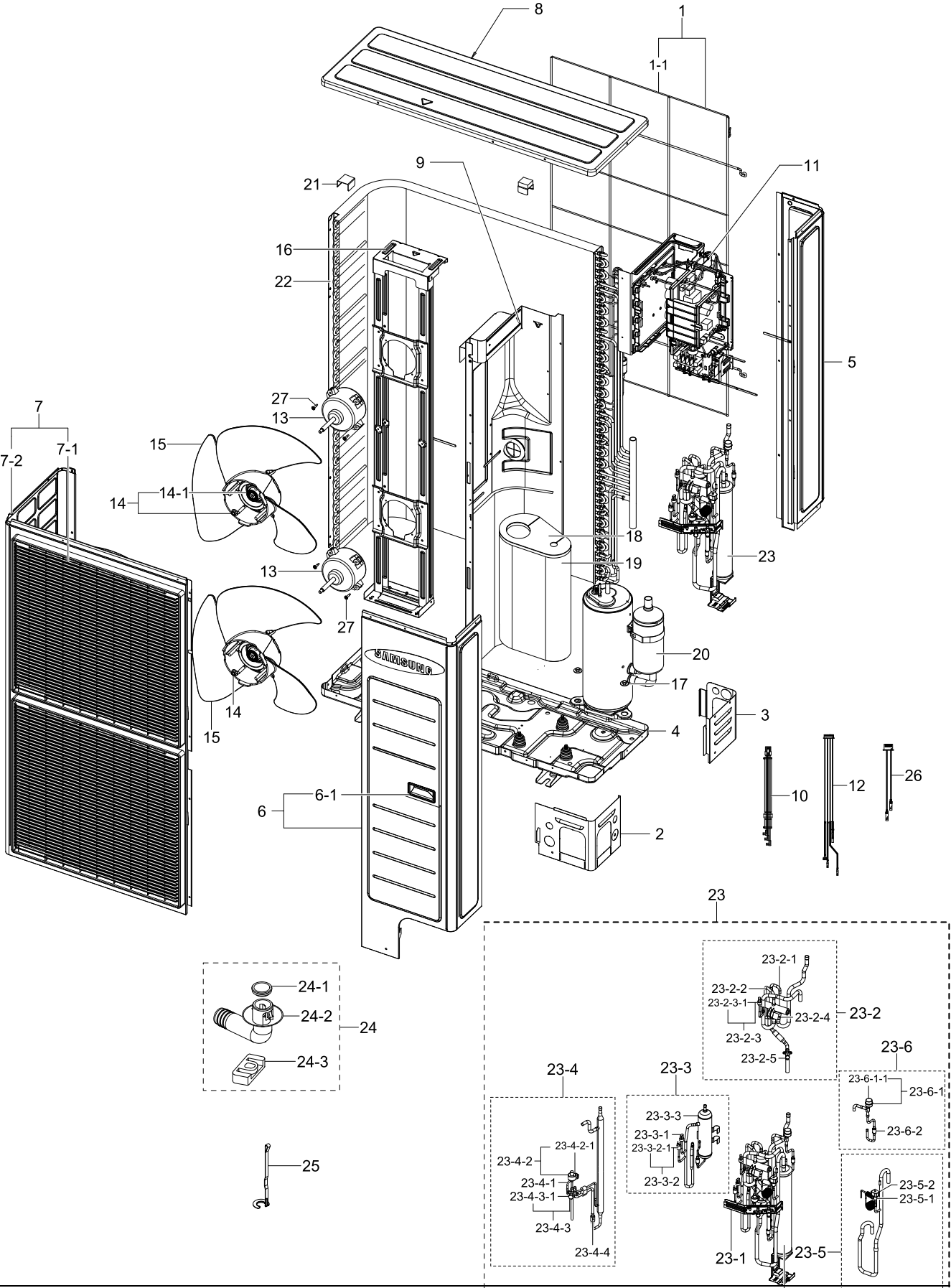


1. AM036FXMDCH/AA

Exploded View



Parts List

No.	Lvl.	Loc.	Material Code	Description & Specification	SNA	Qty.
1	2		DB90-08318D	ASSY GUARD-COND; UB2 for CAC	SNA	1
1-1	3		DB63-02706D	GUARD COND; RC100ZHxEA,MSWR-SWRM,EARTH BR	SA	1
2	2		DB64-02525C	CABINET-INSTALL BACK; RC160MHxEA,EGI-SECC	SA	1
3	2		DB64-02526C	CABINET-INSTALL FRONT; RC100PHxEA,EGI-SEC	SA	1
4	2	A0092	DB90-05873C	ASSY BASE OUT; DVM MINI,USING BASE OUT B	SNA	1
5	2	A2609	DB90-05876E	ASSY CABI BACK-RH; RD040MHxEA,EARTH BROWN	SA	1
6	2	A0173	DB90-05877C	ASSY CABI FRONT RH; RC100PHxEA,MANU	SA	1
6-1	3		DB64-02613B	HOLDER-UP; RC140PHxEA,,PP+TD20%,T2.5,EART	SNA	2
7	2	A2620	DB90-05878B	ASSY CABI FRONT-LF; RC100PHxEA,ManU,EARTH	SA	1
7-1	3		DB63-02696B	GUARD-FAN; RC100PHxEA,PP+TD20%,EARTH BROW	SA	2
7-2	3		DB64-02522B	CABINET FRONT-LF; RC100PHxEA,EGI-SECC,T0.	SNA	1
8	2	A0212	DB90-05902E	ASSY CABINET-TOP; RC090MHxEA,EHS MONO	SA	1
9	2	A1748	DB94-02697D	ASSY PARTITION; RD050MHXH2,DVM MINI UB2	SNA	1
10	2	A0630	DB93-08235G	ASSY CONNECTOR WIRE-COMP; 3,3343,12,RED,H	SA	1
11	2	A3096	DB93-13829B	ASSY CONTROL OUT; HP,Inv,208- 230V,R-410A	SNA	1
12	2		DB95-04871B	ASSY THERMISTOR OUT-SUB OUT; AC,250,10,	SA	1
13	2	M0039	DB31-00579A	MOTOR FAN; 125W,DC310V,CLASS E	SA	2
14	2		DB60-00405A	FASTENER-WASHER; RC100ZHxEA,SWRCH10A,M8	SA	2
14-1	3		DB94-02525A	ASSY FAN-BOSS; MAN-U,RUBBER BOSS	SNA	2
15	2		DB94-03278B	ASSY FAN PROPELLER; MAN-U,480 PI, NATURAL	SA	2
16	2	A2803	DB90-05875B	ASSY BRACKET MOTOR; RC100PHxEA,R410A	SA	1
17	2	S0018	DB60-30028A	NUT-FLANGE; HWH,M8,ZPC(WHT),SWRCH18A,P1.2	SA	3
18	2		DB63-03061A	CLOTH-COMP TOP; DVM MINI,EVAR/FELT,T11.5,	SNA	1
19	2		DB63-03060A	CLOTH-COMP SOUND; DVM MINI,EVAR/FELT,T10+	SNA	1
20	2		UG5T450FUEJXS2	RCP,COMP,RCP,F,R410A; RCP,COMP,RCP,F,R410A		1

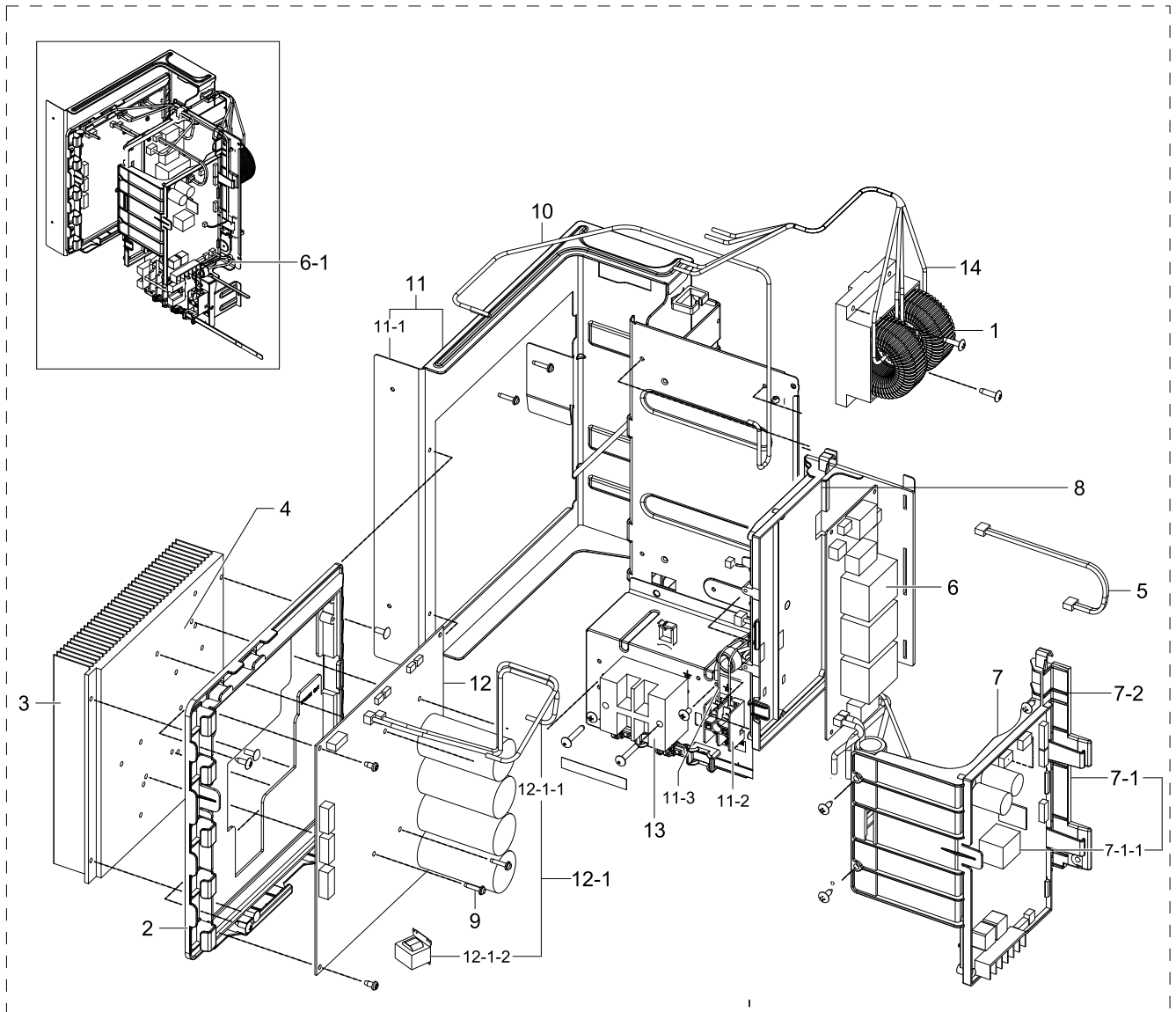
No.	Lvl.	Loc.	Material Code	Description & Specification	SNA	Qty.
21	2		DB90-02316E	ASSY HOLDER-PLATE COND; RC100PHXEA	SNA	2
22	2		DB96-15745C	ASSY COND BENDING; AM040MXMKKC/EA,Anti-co	SA	1
23	2	A0081	DB96-15840C	ASSY TUBE-VALVE; RD050MHXH2,DVM MINI2	SA	1
23-1	3		DB90-05874B	ASSY BRACKET-VALVE; RC100PHXEA,ManU	SA	1
23-2	3		DB96-16161A	ASSY TUBE-4WAY; RD060MHXH2,RD050MHXH2,RD0	SA	1
23-2-1	4	V0010	DB62-02834A	VALVE 4WAY; .,.,Common,5	SA	1
23-2-2	4	V0020	DB62-06190B	VALVE CHECK; .,1/2",1-1	SA	1
23-2-3	4		DB95-01469Q	ASSY-SENSOR LOW PRESSURE; RD050MHXH2,4,5H	SC	1
23-2-3-1	5	S0030	DB32-00195B	SENSOR PRESSURE; Refrigerant,5V,2.0MPa,15	SA	1
23-2-4	4	A2106	DB96-03205E	ASSY-SOLENOID COIL; RD050MHXH2,4,5HP	SA	1
23-2-5	4	A2040	DB96-15862B	ASSY-SERVICE VALVE; DVM mini2,3/8", K-ty	SA	1
23-3	3	A2757	DB96-15825C	ASSY TUBE DISCHARGE; RD050MHXH2,DVM mini2	SA	1
23-3-1	4	A2226	DB95-00500N	ASSY-SWITCH PRESSURE; RD050MHXH2,4,5HP	SA	1
23-3-2	4	A3145	DB95-01549N	ASSY-SENSOR HIGH PRESSURE COIL; RD050MHXH	SC	1
23-3-2-1	5	S0030	DB32-00194B	SENSOR PRESSURE; Refrigerant,5V,5.0MPa,15	SA	1
23-3-3	4	A1627	DB96-15868B	ASSY-OIL SEPARATOR; RD060MHXH2,INVERTER,	SA	1
23-4	3	A3149	DB96-16200A	ASSY TUBE-SUBCOOLER; RD050MHXH2,RD040MHXH	SA	1
23-4-1	4	V0001	DB62-04064A	VALVE EXPAN; -,STS304,-,-,-,-,-,-,-,-,-	SA	1
23-4-2	4	A0016	DB96-13204G	ASSY-VALVE EXPAN COIL; RD050MHXH2,4,5HP	SC	1
23-4-2-1	5		DB62-11205A	VALVE COIL EXPAN; DC12V,COIL,1000,15.45,M	SA	1
23-4-3	4	A2040	DB96-15862C	ASSY-SERVICE VALVE; DVM mini2,3/8", K-TY	SA	1
23-4-3-1	5		DB62-09659A	VALVE SERVICE; 3/8",C3771,K-TYPE/T-TYPE,4	SA	1
23-4-4	4	T0128	DB62-00541B	TUBE-FILTER; ABM-4500,C1220T-H,T1,OD19.05	SA	1
23-5	2	A0045	DB96-15822A	ASSY TUBE SUCTION; DVM MINIUB2,RD050MHXB2	SA	1
23-5-1	3	S0094	DB33-00069A	VALVE SOLENOID; 1.9,6.35	SA	1
23-5-2	3		DB95-04843A	ASSY-SOLENOIDE COIL; DVM MINI,4,5HP	SA	1
23-6	2		DB96-15823A	ASSY TUBE-EEV; DVM miniUB2,RD050MHXB2	SA	1
23-6-1	3	A0498	DB96-16265A	ASSY-VALVE EXPANSION; HP,4,5HP,330V,INV,R	SA	1
23-6-1-1	4	V0011	DB62-05606A	VALVE GEAR EXPAN; BRASS,6.4,2000,2000	SA	1

Exploded Views and Parts List

No.	Lvl.	Loc.	Material Code	Description & Specification	SNA	Qty.
23-6-2	3	T0128	DB62-00541B	TUBE-FILTER; ABM-4500,C1220T-H,T1,OD19.05	SA	1
24	2		DB97-05328D	ASSY PACKING CASE ASSESSORY; RC100PHXEA,G	SA	1
24-1	3	Z0165	DB63-10355C	SEAL DRAIN; -,CHLOROPRENE RUBBER,-,T2,W24	SA	3
24-2	3	D0116	DB67-00806A	DRAIN-PLUG OUT; UH140GAV,PE,-,-,-,NATUR	SA	1
24-3	3	Z0166	DB73-20134A	RUBBER-LEG; V2-MD,NBR,10,BLACK	SA	4
25	2	S0242	DB81-00635A	SPRING ETC-SENSOR; DVM-SYSTEM,STS304,R2.5	SA	4
26	2		DB95-04872B	ASSY THERMISTOR OUT-SUB OUT; SMH250-04,L5	SA	1
27	2	S0019	DB60-00150A	SCREW-SPECIAL; HWH,M4,L26,ZPC(WHT),SWRCH1	SA	8
28	2	A0316	DB96-16081C	ASSY-ACCUMULATOR; RD050MHXH2,RD060MHXH2,D	SA	1

2. ASSY CONTROL OUT

Exploded View



Parts List

No.	Lvl.	Loc.	Material Code	Description & Specification	SNA	Qty.
1	3		DB59-00017A	COIL HARMONIC; 0.4mH,96*76*80,20A,Tab	SA	1
2	3		DB61-04657B	CASE-INV 3PHASE; GLOBAL 4WAY,ABS,2.5T,247	SA	1
3	3		DB62-10902B	HEAT SINK-1PHASE 50A; AL,10,200,200,PLATF	SA	1
4	3		0205-000178	GREASE-SILICON; YG6111,WHITE, for assembl	SA	0
5	3	A0664	DB93-12364A	ASSY CONNECTOR WIRE-POWER; 3,1015,18,BRN,	SA	1
6	3	A1781	DB93-11110D	ASSY PCB SUB-EMI; SUB,DVM MINI2,230*90,23	SA	1

Exploded Views and Parts List

No.	Lvl.	Loc.	Material Code	Description & Specification	SNA	Qty.
6-1	4	A0664	DB93-10872A	ASSY CONNECTOR WIRE-POWER; 3,1015,12,BRN,	SA	1
7	3		DB92-03324A	ASSY KIT; OUTDOOR,14K_DVM_AMF800M,MAIN,4H	SNA	1
7-1	4	A2748	DB92-03322A	ASSY PCB MAIN; MAIN,14K_DVM_AMF800M,192*1	SA	1
7-1-1	5		DB93-12483A	ASSY PCB SUB-EEPROM; SUB,DVMPLUS4 UP,20*2	SA	1
7-2	4		DB61-05743A	CASE-PCB; AM053FXMDCH/AA,HIPS,T2,L243.3,N	SA	1
8	3		DB61-04502D	CASE-EMI; RC090MHXEA,HIPS,L0,NATURAL,VE-1	SA	1
9	3	A2876	DB91-00307A	ASSY-SCREW MACHINE; WW-INV,M4*16,WSP,PH,+	SA	4
10	3	Z0158	DB93-10807A	ASSY CONNECTOR WIRE-MAIN TO INVERTER COM; ASSY CONNECTOR WIRE-MAIN TO INVERTER COM	SA	1
11	3		DB93-10966G	ASSY CONTROL OUT-PLATE; HP,INV,R410a,RC16	SNA	1
11-1	4		DB90-05889A	ASSY CASE CONTROL; RC100PHXEA,ManU	SA	1
11-2	4	T0179	DB65-00274A	TERMINAL BLOCK; TERMINAL BLOCK,Polycarbon	SA	1
11-3	4	A2934	DB93-10808C	ASSY CONNECTOR WIRE-COMM; 2,1015,22,RED,Y	SA	1
12	3	A2573	DB93-11113B	ASSY PCB MAIN-INVERTER; INVERTER,RC140PHX	SA	1
12-1	4		DB93-13105A	ASSY PCB MANUAL; RC100ZHXEA, RC140PHXEA,M	SNA	1
12-1-1	5	A0664	DB93-10870A	ASSY CONNECTOR WIRE-POWER; 2,1015,12,BRN,	SA	1
12-1-2	5	T0083	DB26-00123A	TRANS SWITCHING; EE2218,RC100PHXEA,GLOBAL	SA	1
13	3	T0175	DB65-00209B	TERMINAL BLOCK; DVMPLUS3,600,60,-,UL,2,SC	SA	1
14	3	A0646	DB93-10835C	ASSY CONNECTOR WIRE-EARTH; 1,1015,18,YEL/	SA	1