
[WW8000T] WW90T986DSX/S3 EXPLODED VIEWS AND PARTS LIST

[MATERIAL CODE STANDARDS]

Material codes and names and their respective naming rules are managed in accordance with the prescribed standards. Please refer to these standards when requesting a material.

1. Material Code Type

● : Number

■ : Letter (Alphabet)

Type 1	●●●●●-●●●●● ex) 0204-000418 FREON	Enterprise-wide parts Type 1 materials can be used for all Samsung Electronics products. (Most electrical parts belong to this type.)
Type 2	■■●●●-●●●●●■ ex) DC96-01390A ASSY-CONTROL	Division-wide parts (DC**-Washing machine) Type 2 materials can be used for specific products. (Most instruments and tools belong to this type.)

2. Ass'y Materials

All ass'y material codes start with DC9*.

An ass'y material is created by combining more than two materials. If a requested material cannot be provided, you can request an ass'y material that contains that material.

3. For information about purchasing parts and tool, please visit <http://www.samsung.com/support>

4. The part that is assigned as SA (service available) will be able to purchase.

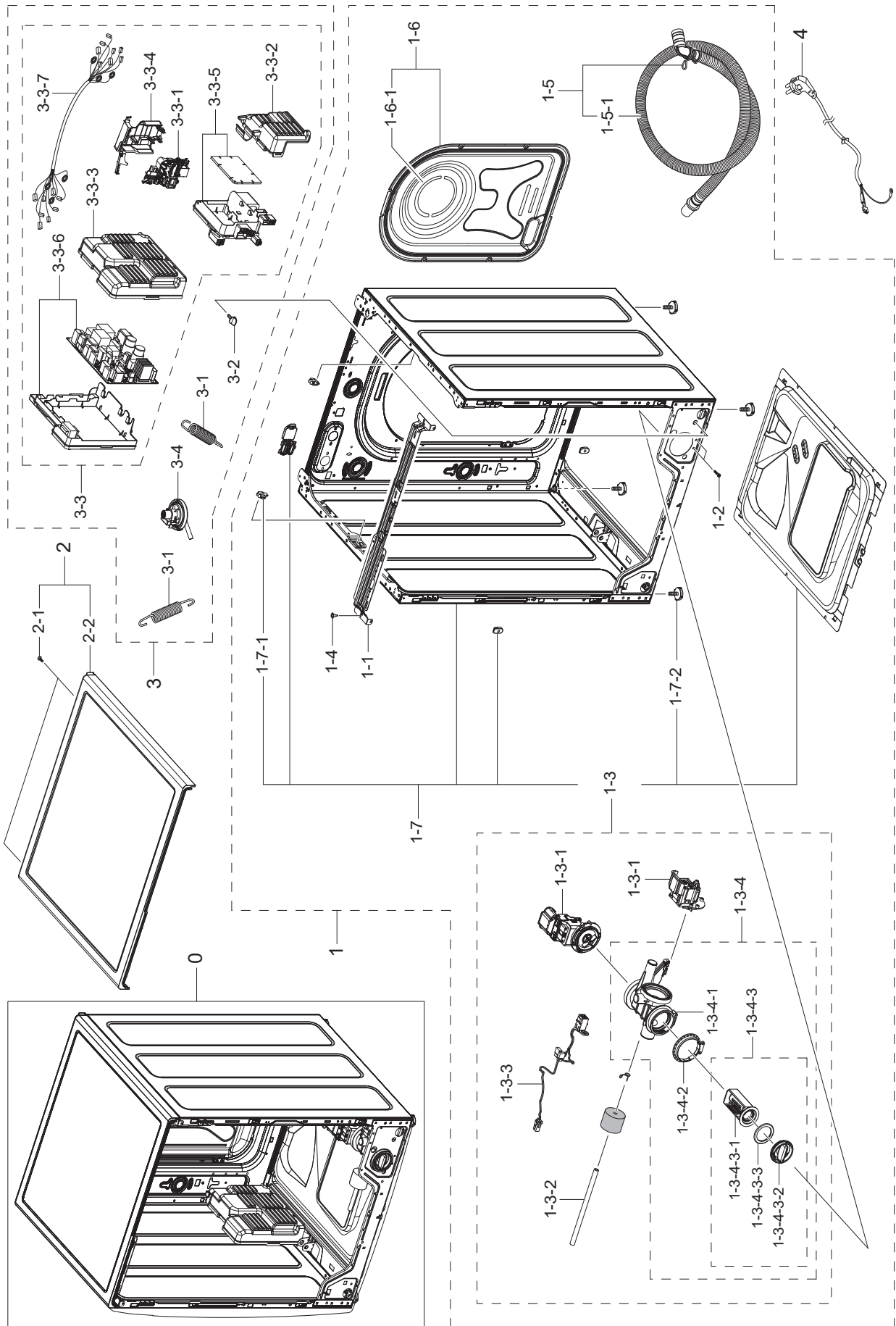
The part that is assigned as SNA (service not available) will not supply, in result, not available in the market.

MODEL CODE (WW90T986DSX/S3)

Service Bom (SA: SERVICE AVAILABLE, SNA: SERVICE NOT AVAILABLE)

Drawing No.	Code No.	Description	Specification	QTY	Un	SA/SNA
0		ASSY-WASHING MACHINE	WW8000T			
1	DC90-28668F	ASSY COVER TOP PARTS	WW10T684DLN/S1	1	PC	SNA
2	DC90-28707B	ASSY FRAME PARTS	WW8000T,WW90T986DSX/S3,	1	PC	SNA
2-1	DC97-15696P	ASSY PUMP DRAIN	GCO11,WW8GM642O2W/ EG,BUBBLE,220V	1	PC	SNA
3	DC90-28712A	ASSY FRONT PARTS	WW8000T,INOX,AW Best	1	PC	SNA
4	DC90-28709B	ASSY DRAWER PARTS	WW8000T,AOW,INOX+BLACK	1	PC	SNA
4-1	DC97-22235H	ASSY DRAWER-MODULE	WW8000T,INOX+BLACK,IM	1	PC	SNA
4-2	DC97-22238C	ASSY HOUSING DRAWER	WW7000T,HEBA 58 AOW	1	PC	SNA
5	DC90-28711D	ASSY PANEL CONTROL PARTS	WW8000T,SIMPLE,	1	PC	SNA
6	DC90-28652U	ASSY TUB BACK PARTS	WW90T986DSH/S1	1	PC	SNA
7	DC90-28652V	ASSY DRUM PARTS	WW90T986DSH/S1	1	PC	SNA
8	DC90-28652W	ASSY TUB FRONT PARTS	WW90T986DSH/S1	1	PC	SNA
9	DC90-28603V	ASSY ACCESSORY PARTS	WD80T534DBN/S1	1	PC	SNA
9-1	DC98-04384C	ASSY ACCESSORY	U-PJT HEBA 58,WD80T534DBN/S1	1	PC	SNA
9-1-1	DC97-16921A	ASSY HOSE WATER	WA5700J	1	PC	SC
9-1-2	DC98-04384D	ASSY ACCESSORY	U-PJT HEBA 58,WD80T534DBN/S1	1	PC	SNA
9-1-2-1	DC60-00104A	FASTENER-BOLT	ALL,CR-SPCC,2.0,L113.5	1	PC	SA
9-1-2-2	DC62-10278A	HOSE HANGER	PUMP MODEL,PP,ID27,T1.5,HS95,BLACK	1	PC	SA
9-1-2-3	DC67-00208B	CAP-FIXER	WF8602NHS/XFA,PP,T1.5,P535-H,BLACK,RECYCLE PP	1	PC	SA
9-1-2-4	DC67-00307A	CAP-FIXER	WF438AAC/XAA,PP,T1.5,RECYCLE,BLACK,RM60	4	PC	SA
10	DC97-14653C	ASSY FIXER TUB	SCOUT,WF0804Y8E/XEF	4	PC	SA
10-1	DC60-60044B	WASHER PLAIN	WW65R20GLSW/TL,PO-SPHC,T2	1	PC	SA

2. ASSY FRAME & COVER PARTS (WW90T986DSX/S3)



MODEL CODE (WW90T986DSX/S3)

Service Bom (SA: SERVICE AVAILABLE, SNA: SERVICE NOT AVAILABLE)

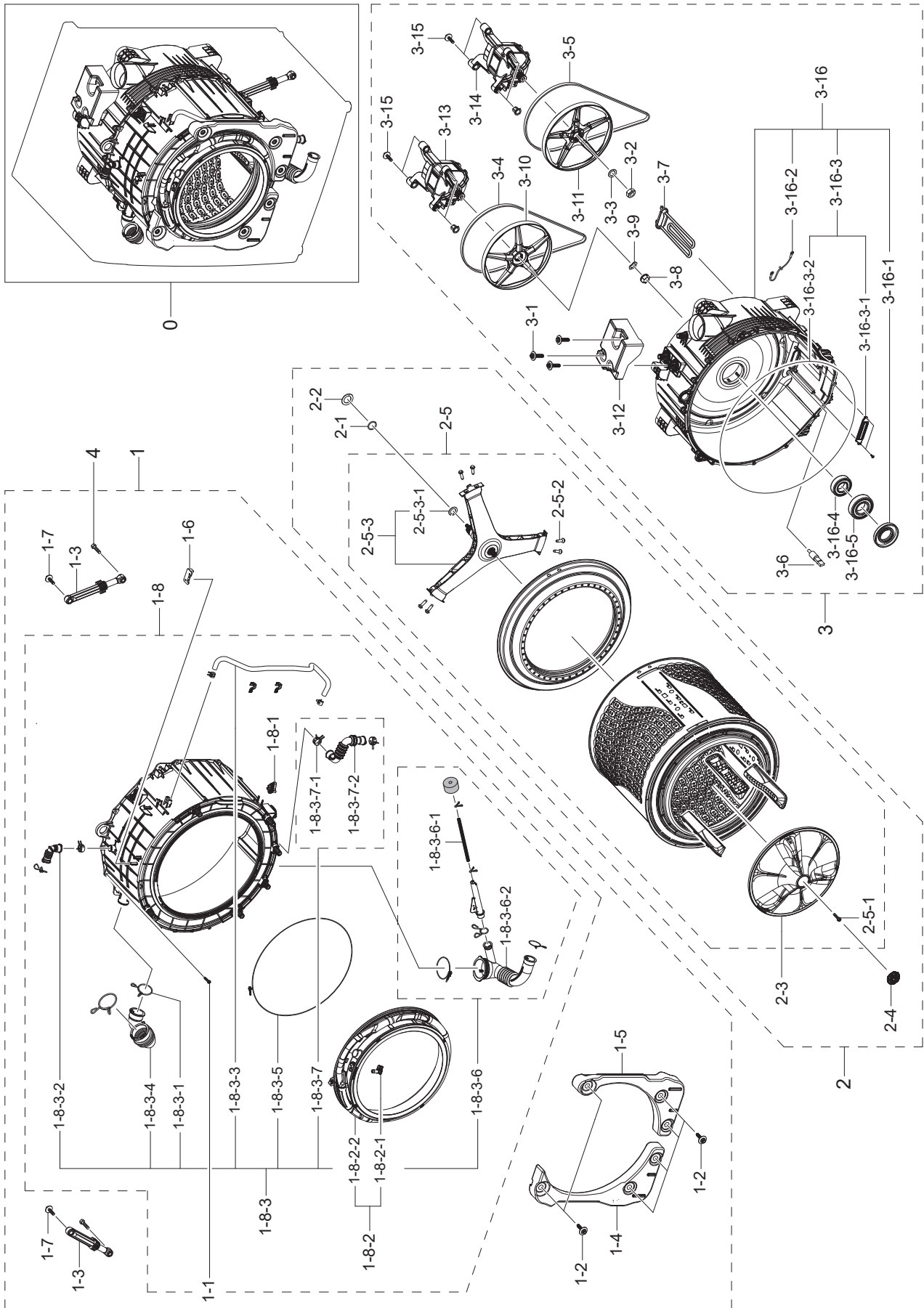
Drawing No.	Code No.	Description	Specification	QTY	Un	SA/SNA
0		ASSY FRAME & INNER PARTS	WW8000T	1		
1	DC90-28707B	ASSY FRAME PARTS	WW8000T,WW90T986DSX/S3,	1	PC	SNA
1-1	DC61-05248B	FRAME PLATE-UP	WW7000T,GI-SGCC,T1.4	1	PC	SA
1-2	DC97-14006C	ASSY SCREW	GRIFFIN-PJT,WF9904RWE,SWRCH18A,M4*L16	2	PC	SNA
1-3	DC97-15696P	ASSY PUMP DRAIN	GCO11,WW8GM642O2W/EG,BUBBLE,220V	1	PC	SNA
1-3-1	DC31-00181A	MOTOR AC PUMP	"Drum&Auto,B15-6A/S3019/S3032/PX2025-1,2Pole,220-240V,50Hz,0.33A,35W,5to+60C,3000rpm,130~145C,0.64CFM"	2	PC	SA
1-3-2	DC67-00244C	HOSE DRAIN	"WF0804Y8E,EPDM,ID6,OD11,T2.5,L320,BLACK,SCOUT"	1	PC	SA
1-3-3	DC96-01567C	ASSY WIRE HARNESS	"AEGIS 3- PJT,WF0702WKN/XSC,220V,50Hz,7kg,1200RPM,PUMP WIRE"	1	PC	SA
1-3-4	DC97-19914A	ASSY CASE FILTER	BUBBLE	1	PC	SA
1-3-4-1	DC61-02271B	CASE PUMP	"WF0804Y8E/XEF,PP,T2.5,W153.6,L133.2,WHITE,2WAY"	1	PC	SA
1-3-4-2	DC69-01128A	PACKING-PUMP	WF8804DP,IIR,BUTYL,T2.5,HEBA-PJT,BLK	1	PC	SA
1-3-4-3	DC97-15695C	ASSY FILTER	Heba,WF9904CWN1	1	PC	SA
1-3-4-3-1	DC63-00998A	FILTER PUMP	SCOUT-PJT,PP,W52.8,L93.1,NEAT WHITE,BUBBLE	1	PC	SA
1-3-4-3-2	DC64-02783A	HANDLE FILTER	WF350ANW/XAA,PP,T2.3,W63.8,NATURAL,BIG_HANDLE-FILTER	1	PC	SA
1-3-4-3-3	DC73-00022A	SEAL PACKING	SEW-HVR149ATA,EPDM,BLACK	1	PC	SA
1-4	DC97-15858A	ASSY SCREW	trumph-PJT,WF-F1061/YLP,SWRCH18A	2	PC	SNA
1-5	DC97-20913B	ASSY HOSE DRAIN(O)	Heba,1870,ID20.5	1	PC	SA
1-5-1	DC67-00992A	HOSE PUMP	Heba,PP,ID20.5,T1,LIGHT GRAY	1	PC	SA
1-6	DC97-21048A	ASSY COVER BACK	"WW6000T,WW90T654DLH/S6,U-PJT wash model"	1	PC	SNA
1-6-1	DC63-00862C	COVER BACK	WF8600NMW,GI-SGCC,T0.35,W352,L558.7,NATURAL	1	PC	SA
1-7	DC97-22342C	ASSY FRAME-MODULE	WW8000T,WW90T986DSX/S3	1	PC	SA
1-7-1	DC61-02065A	GUIDE SPRING	WF448AAG/XXA,POM,T4,W24,L36.8,WHITE	2	PC	SA
1-7-2	DC97-00920W	ASSY LEG	WW6000T,WD90T654DBH/S1,48.5,M10,1.5,BUTYL	4	PC	SA
2	DC90-28668F	ASSY COVER TOP PARTS	WW10T684DLN/S1	1	PC	SNA
2-1	6002-001438	SCREW-TAPPING	HWH,+,NO,1,M5,L12,ZPC(WHT),SWRCH18A,SEPERATOR	2	PC	SNA
2-2	DC97-22070B	ASSY COVER TOP-MODULE	U-HEBA58(WW),INOX	1	PC	SA
3	DC90-28652T	ASSY INNER PARTS	WW90T986DSH/S1	1	PC	SNA
3-1	DC61-02029D	SPRING HANGER	WW6800M,HSWR,3.5mm,OD26,L148,Heat treatment	2	PC	SA
3-2	DC61-10673C	CAP DRAIN	WF1802XEY/XSC,PP,BLACK	1	PC	SA

MODEL CODE (WW90T986DSX/S3)

Service Bom (SA: SERVICE AVAILABLE, SNA: SERVICE NOT AVAILABLE)

Drawing No.	Code No.	Description	Specification	QTY	Un	SA/SNA
3-3	DC92-02705K	ASSY COVER PCB W/ HARNESS	WW90T986DSH/S1	1	PC	SNA
3-3-1	DC34-00028B	SWITCH DOOR LOCK	AC250V,16A,SOLENOID, DOOR SENSING, CAM	1	PC	SA
3-3-2	DC63-02152A	COVER PCB	MK,ABS,T2.5,5VA,NATURAL,VE-0858	1	PC	SA
3-3-3	DC63-02598A	COVER PBA	"WW6000T(F500E-SSEC),ABS,T2.5,5 VA,NATURAL,VE-0858"	1	PC	SA
3-3-4	DC63-02602A	COVER DOOR SWITCH	WW6000,PP,T2.5,5VA,NATURAL,FH44N	1	PC	SA
3-3-5	DC92-02139D	ASSY PCB KIT	"FWM,WW9000T,121*160,220 V,15.6V,5V,Q-DRIVE INV, 10A IPM,Y,SMPS,Standard"	1	PC	SA
3-3-6	DC92-02735A	ASSY HOLDER PCB	WW8000T,DC94-10786A,Y,SMPS	1	PC	SA
3-3-7	DC93-00888A	ASSY WIRE HARNESS-MAIN	DRUM-M,WW90T986DSX/S3,U-PJT, Bottom,N,Drain & Bubble,N,N,Y,Simple UX,Y,Y,2 Way,Y,Y,N,2 DIM,F-FrontWM-55	1	PC	SA
3-4	DC96-01703G	SENSOR PRESSURE	Air,5V,L0,400mmH2O	1	PC	SA
4	DC39-00067A	POWER CORD-AT	H05VV-F 3x1.5mm2,GRY,EU3F,	1	PC	SA

3. ASSY TUB & DRUM PARTS (WW90T986DSX/S3)



MODEL CODE (WW90T986DSX/S3)

Service Bom (SA: SERVICE AVAILABLE, SNA: SERVICE NOT AVAILABLE)

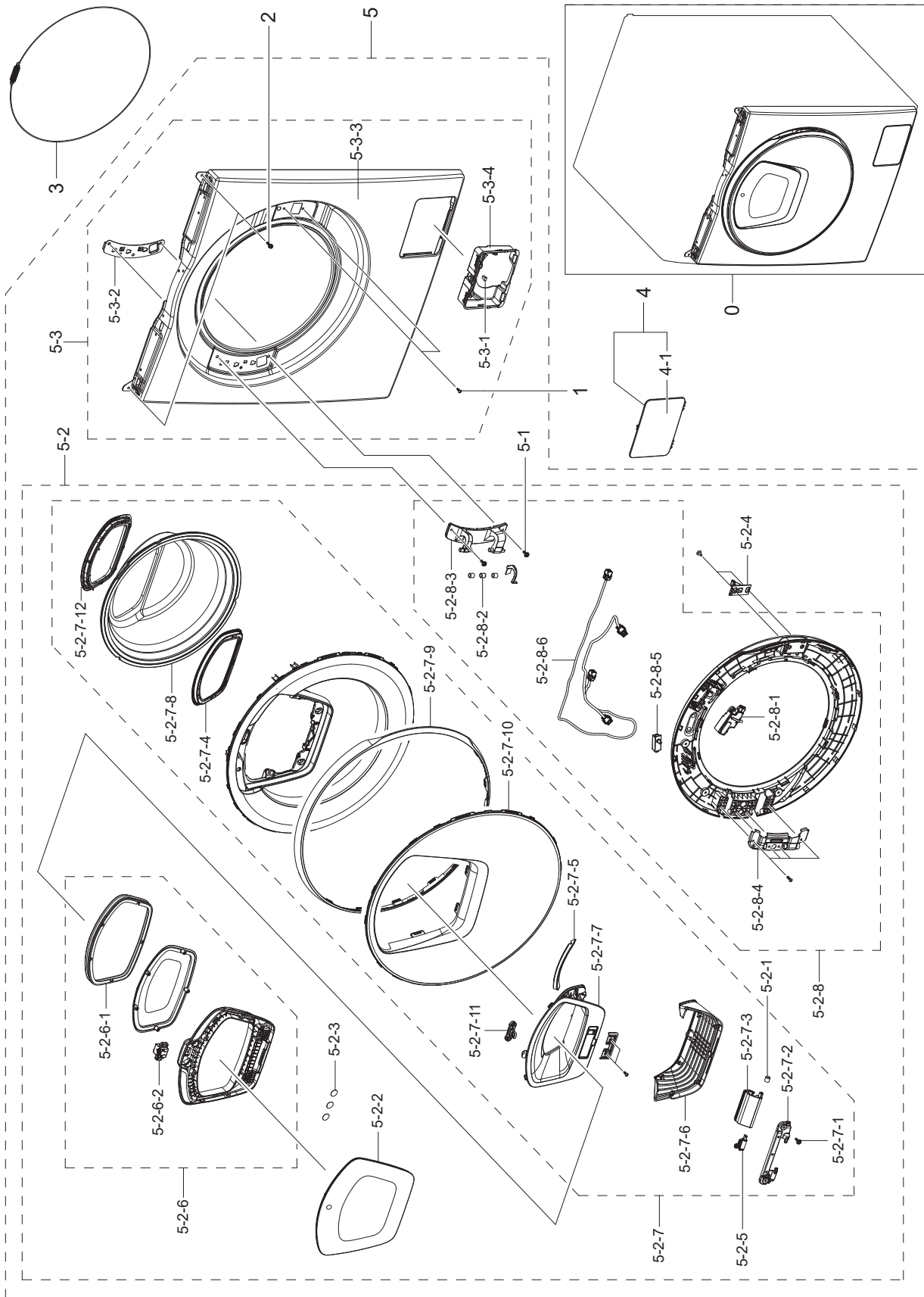
Drawing No.	Code No.	Description	Specification	QTY	Un	SA/ SNA
0		ASSY TUB & DRUM PARTS	WW8000T	1		
1	DC90-28652W	ASSY TUB FRONT PARTS	WW90T986DSH/S1	1	PC	SNA
1-1	6009-001367	BOLT-HEX	"M6.5,L32,ZPC(WHT),HWH,+ ,SWRCH 18A,HWH Head"	15	PC	SNA
1-2	6011-003934	BOLT-HEX	M7.6,L48,ZPC(WHT),SCM 435,WASHER	6	PC	SA
1-3	DC66-00470G	DAMPER SHOCK	"24"" Drum,PP/RUBBER/STS,BLACK, 80N, FREESTROKE 6mm"	2	PC	SA
1-4	DC67-00944A	WEIGHT BALANCER-LEFT	WW7800M,CONCRETE,T1.8,BLACK	1	PC	SA
1-5	DC67-01112A	WEIGHT BALANCER-RIGHT	WW6800T,PP	1	PC	SA
1-6	DC93-00278G	ASSY MODULE	MEMS SENSOR,Seine 1600,"3.3V, WIRE 270mm",Y	1	PC	SA
1-7	DC97-14263A	ASSY BOLT	MOTOR/ BOLT(M8)+WASHER(OD27.5),,,,,,	2	PC	SA
1-8	DC97-20524J	ASSY SEMI TUB FRONT	WW90T986DSH/S1	1	PC	SA
1-8-1	DC32-00018A	SENSOR PHOTO	RCM-A301,5V	1	PC	SA
1-8-2	DC97-20515A	ASSY DIAPHRAGM	WW6800M	1	PC	SA
1-8-2-1	DC62-00349A	NOZZLE DIAPHRAGM	WF457ARGSGR,PP,OD11,GRAY, FC2210-G246	1	PC	SA
1-8-2-2	DC64-03690A	DOOR DIAPHRAGM	WW6800N,EPDM,T1.5,EPDM,LIGHT GRAY	1	PC	SA
1-8-3	DC97-20566A	ASSY TUB FRONT	MK-PJT,WW6800M	1	PC	SNA
1-8-3-1	DC65-60118R	CLIP RING	AEGIS-PJT,HSWR-SWRH,T3.0,ID37	1	PC	SA
1-8-3-2	DC67-00354A	HOSE AIR	HEBA PJT,EPDM,BLACK,18.3g	1	PC	SA
1-8-3-3	DC67-00606A	HOSE AIR	AEGIS 2A COMBO BUBBLE-PJT,EPD M,ID9.0,OD14.0,T2.5,L620,BLACK	1	PC	SA
1-8-3-4	DC67-00674A	HOSE DRAWER TUB	"SEINE COMBO,EPDM,ID34.9,OD48.0 ,T2.0,BLACK,SEINE COMBO"	1	PC	SA
1-8-3-5	DC91-12077G	ASSY CLAMP DIAPHRAGM	AEGIS,WF8500NHW/YLP	1	PC	SA
1-8-3-6	DC97-14637R	ASSY HOSE PRESSURE	600mmH20,No PBA,Hook	1	PC	SNA
1-8-3-6-1	DC67-00230B	HOSE WATER	"WF8800,TPE,ID4.5,OD8.0,T1.75,L679,L 725,L679,BLACK,HEBA-PJT"	1	PC	SC
1-8-3-6-2	DC67-00335A	HOSE FILTER TUB	"AEGIS-PJT,EPDM,ID64.5;ID21.6 ;ID30,T1.5,HRC50,BLK,RIPPLE STRUCTURE"	1	PC	SA
1-8-3-7	DC97-17515B	ASSY HOSE AIR	MK-PJT,6800M/7800M,BUBBLE	1	PC	SA
1-8-3-7-1	DC61-00158A	CLAMPER HOSE	SW65ASP,SK5,ID23,T0.8,-,-,-,-	2	PC	SA
1-8-3-7-2	DC67-00526A	HOSE AIR TUB	AEGIS3-PJT,EPDM,T2.8,BLACK	1	PC	SA
2	DC90-28652V	ASSY DRUM PARTS	WW90T986DSH/S1	1	PC	SNA
2-1	6044-001781	RING-OG	ID33,OD36.4,T1.8,BLK,NBR	1	PC	SA
2-2	DC60-00132A	WASHER-SPRING	STS304,T0.5,ID35.2,OD39.2,H2.2	1	PC	SA
2-3	DC97-20490A	ASSY PULSATOR	WW6800N,1400RPM	1	PC	SA
2-4	DC97-20943A	ASSY PULSATOR CAP	WW8800M.WD8800N	1	PC	SA

MODEL CODE (WW90T986DSX/S3)

Service Bom (SA: SERVICE AVAILABLE, SNA: SERVICE NOT AVAILABLE)

Drawing No.	Code No.	Description	Specification	QTY	Un	SA/ SNA
2-5	DC97-22362A	ASSY DRUM	Q-DRIVE-WW8000T,1600RPM,H	1	PC	SA
2-5-1	DC60-00135A	BOLT PULSATOR	Q-DRIVE,STS430,L28,WASHER SPRING,WASHER PLANE	1	PC	SA
2-5-2	DC60-40137A	BOLT HEX	MARS-PJT,STS430,M8,P1.25,L30, HEX/ KNURING	6	PC	SA
2-5-3	DC97-20794B	ASSY FLANGE SHAFT	WW8800M,2 BEARING TYPE_7kg 1600rpm	1	PC	SA
2-5-3-1	6044-001198	RING-C	ID13.8,OD17.2,T1.0,SK5	1	PC	SA
3	DC90-28652U	ASSY TUB BACK PARTS	WW90T986DSH/S1	1	PC	SNA
3-1	6011-003934	BOLT-HEX	M7.6,L48,ZPC(WHT),SCM 435,WASHER	3	PC	SA
3-2	6021-001588	NUT-HEXAGON	1C,M10x1.5,ZPC(WHT),SM20C,NYLO N,LOCTITE	1	PC	SA
3-3	6031-002861	WASHER-SPRING	SK5,ID11.2,OD22.5,T1.25,DUAL WASHER-PJT	1	PC	SA
3-4	6602-003993	BELT-TIMING GEAR	5J,RUBBER,T3.2,W11.7,L1214,BLK	1	PC	SNA
3-5	6602-003999	BELT-TIMING GEAR	5J,RUBBER,T3.2,W11.7,L1157,BLK	1	PC	SNA
3-6	DC32-00010C	THERMISTOR	WASHER,-10~100,5,5,3.243k ± 2%(60□)	1	PC	SA
3-7	DC47-00033B	HEATER WASH	AC230V,2000W,SUS316L,728mm,NO N,#250,MgO	1	PC	SA
3-8	DC60-00128A	NUT SPIN	DUAL DRIVE,ZNDC,11mm,M28*1.5	1	PC	SNA
3-9	DC60-60011B	WASHER WAVE	STS301,ID28.7,OD42,T0.8,ACP	1	PC	SA
3-10	DC66-00936A	PULLEY MOTOR	DUAL DRIVE,ALDC,NATURAL,OD265.0, DURM	1	PC	SNA
3-11	DC66-00937A	PULLEY MOTOR	"DUAL DRIVE,ALDC,NATURAL,OD235 .0,PULSATOR"	1	PC	SNA
3-11	DC97-20882A	ASSY SEMI TUB BACK	"WW7800M 1600RPM,WW90M760NOA/EN"	1	PC	SA
3-12	DC67-00993B	WEIGHT BALANCER-UP	WW6800M,CONCRETE,NATURAL	1	PC	SA
3-13	DC93-00316F	ASSY MOTOR BLDC	WW8800T,WDM500FGB,F,DC310V,F REE,1600	1	PC	SA
3-14	DC93-00586D	ASSY MOTOR BLDC	WW7800M,WDM350FGA,F,DC310V (PWM AC 0~220V),FREE,1400	1	PC	SA
3-15	DC97-14263A	ASSY BOLT	MOTOR/ BOLT(M8)+WASHER(OD27.5),,,,,,	4	PC	SA
3-16-1	DC62-00156A	SEAL OIL	TS85-PJT,NBR,BLK	1	PC	SA
3-16-2	DC96-01327D	ASSY WIRE HARNESS- EARTH	DRUM-M,WF1124ZAQ/XEF,TUB EARTH WIRE	1	PC	SA
3-16-3	DC97-20523A	ASSY TUB BACK	WW6800M	1	PC	SNA
3-16-3-1	DC61-02664B	BRACKET HEATER	HEBA,STS430,T0.5	1	PC	SA
3-16-3-2	DC69-01769A	PACKING-TUB	ARNO,EPDM,EPDM,T5.5,L1720,BLK	1	PC	SA
3-16-4	6601-002516	BEARING BALL	6306ZZ,ID30,OD72,L19,GCr15	1	PC	SA
3-16-5	6601-002632	BEARING BALL	6307ZZ,ID35,OD80,L21,GCr15	1	PC	SA
4	DC60-40144A	BOLT HEX	F500,SM10C,T10,L35,DAMPER	2	PC	SA

4. ASSY FRAME PARTS (WW90T986DSX/S3)



MODEL CODE (WW90T986DSX/S3)

Service Bom (SA: SERVICE AVAILABLE, SNA: SERVICE NOT AVAILABLE)

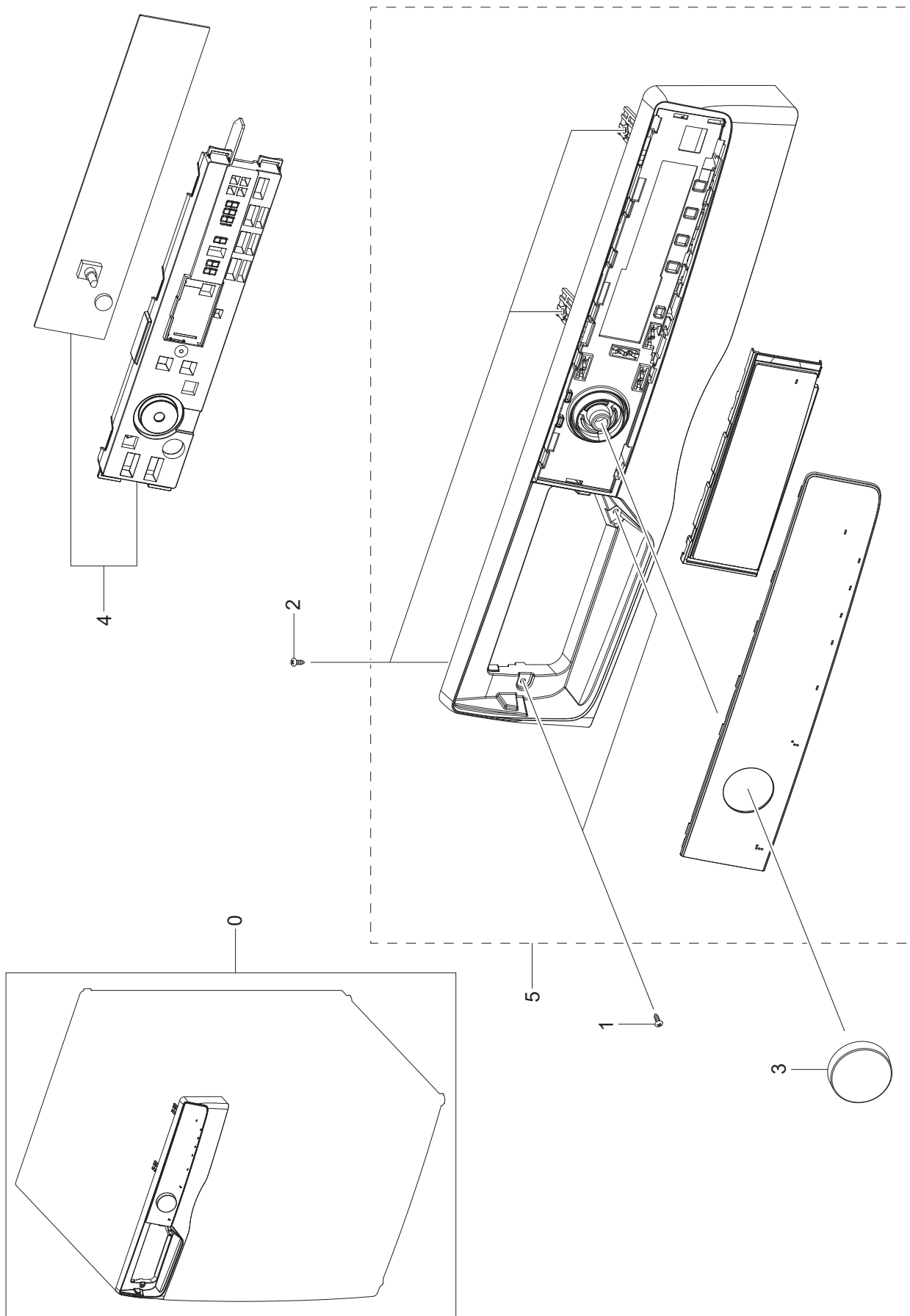
Drawing No	Code No.	Description	Specification	QTY	Un	SA/SNA
0	DC90-28712A	ASSY FRONT PARTS	WW8000T,INOX,AW Best	1	PC	SNA
1	6002-001554	SCREW-TAPPING	BH,+,No,1,M4,L12,STS430,HEAD SIZE OD8.0	2	PC	SNA
2	DE60-10080A	SCREW-TAPPING	PWH,+,2S,M5,L9,ZPC(WHT),SWRCH18A	2	PC	SNA
3	DC91-12078E	ASSY WIRE DIAPHRAGM	AEGIS,WF8500NHW/YLP,-,-,-,-	1	PC	SA
4	DC97-22290B	ASSY COVER FILTER	WW6000T,ABS,T2.5,INOX,	1	PC	SA
4-1	DC63-00920R	COVER FILTER	WF652U2SHGX/TL,ABS,T2,INOX	1	PC	SNA
5	DC97-22329N	ASSY FRAME FRONT	WASHER,WW90T986DSX/S3,I	1	PC	SNA
5-1	6009-001522	SCREW-HEX	HWH,+,M5,L16,PASS,STS430,FP,SEA L- LOCK	2	PC	SA
5-2	DC97-22267B	ASSY DOOR	WW8000T,ADD WASHER BETTER,GRAND BLUE	1	PC	SA
5-2-1	DC61-00891A	GUIDE HINGE	HAUZEN(DOM),POM,B,white,HINGE	1	PC	SA
5-2-2	DC63-01942F	COVER DOOR	WW8000T,ABS,2nd Door, MABS+ABS (TX-0510 /HG-0760GP), TP0107/BK0123	1	PC	SA
5-2-3	DC64-03303A	INLAY-DOOR	WD9500J,PET,T0.3,VERSAILLES GRAY,10.8mm	1	PC	SA
5-2-3	DC64-03303A	INLAY-DOOR	WD9500J,PET,T0.3,VERSAILLES GRAY,10.8mm	2	PC	SA
5-2-4	DC66-00375A	LEVER DOOR	10KG DRUM,ZNDC,T2.5,-,-,-,-,NI COATING	1	PC	SC
5-2-5	DC66-00878A	DAMPER SHOCK-AXIS	WD9500JK,POM,NATURAL	1	PC	SA
5-2-6	DC97-19300A	ASSY HOLDER GLASS	WW7500K,WW90K7405OW/EG,2nd	1	PC	SA
5-2-6-1	DC62-00474A	SEAL DOOR	Si,GY0039	1	PC	SA
5-2-6-2	DC97-19401A	ASSY LATCH	WW8500K	1	PC	SA
5-2-7	DC97-22273B	ASSY COVER DOOR	WW8000T,ADD WASHER BETTER,GRAND BLUE	1	PC	SA
5-2-7-1	6009-001522	SCREW-HEX	HWH,+,M5,L16,PASS,STS430,FP,SEA L- LOCK	2	PC	SA
5-2-7-2	DC61-04078A	SUPPORT HINGE	WD9500J,GI-SGCC,T1.4	1	PC	SA
5-2-7-3	DC61-04133D	HINGE DOOR	ADD WASH,PA6,VERSAILLES GRAY,HB,SG2500AWR/E3823,GY0039	1	PC	SA
5-2-7-4	DC62-00475A	SEAL RUBBER	ADD WASH,Si,GY0039	1	PC	SA
5-2-7-5	DC62-00477B	CAP	WW6/5/4600K,PP,FC2305,VERSAILLES GRAY,GY0039	1	PC	SA
5-2-7-6	DC63-01943A	COVER HOLDER	"24"" ADD WASH,ABS,HB,VERSAILLES GRAY,2 Screw Holes GY0039, Textured / SE-1012 A,"	1	PC	SA
5-2-7-7	DC63-01945B	COVER-ADD IN	WW8/7/6/5500K,PP,VERSAILLES GRAY,FC2305,GY0039	1	PC	SA
5-2-7-8	DC64-03390A	DOOR-GLASS	WW6500K,GLASS,T5,TRANSPARENT,353*120.5	1	PC	SA
5-2-7-9	DC64-03949B	DECORATION COVER DOOR	DV90T8240SH/S1,ABS,SILKY METAL SILVER,Silky Metal Silver,SV0028	1	PC	SA
5-2-7-10	DC64-03973A	DOOR SAFETY	U-PJT,ABS,T2.5,TX-0510,GRAND BLUE,TP0107	1	PC	SA

MODEL CODE (WW90T986DSX/S3)

Service Bom (**SA**: SERVICE AVAILABLE, **SNA**: SERVICE NOT AVAILABLE)

Drawing No	Code No.	Description	Specification	QTY	Un	SA/SNA
5-2-7-11	DC66-00890A	LEVER-TIP	WW5500K,ZNDC,Ni Coating	1	PC	SA
5-2-7-12	DC62-00473A	SEAL CAP GUIDE	WW8/7/6/5500K,PP,VERSAILL	1	PC	SA
5-2-8	DC97-22276A	ASSY HOLDER GLASS	WW8000T,ADD WASHER,Versailles Gray	1	PC	SA
5-2-8-1	DC34-00025D	SWITCH DOOR LOCK	DC12V,0.35	1	PC	SA
5-2-8-2	DC61-00891A	GUIDE HINGE	HAUZEN(DOM),POM,B,white,HINGE	3	PC	SA
5-2-8-3	DC61-04131A	HINGE DOOR	WW6/5500K,ALDC,T5	1	PC	SA
5-2-8-4	DC61-04134A	BRACKET HOLDER	WW6/5500K,GI-SGCC,T1.2	1	PC	SA
5-2-8-5	DC64-00828G	SWITCH DOOR	AC125/250V,1.5/0.75A,1BUTTON, WHITE, OP10.0	1	PC	SA
5-2-8-6	DC93-00884A	ASSY WIRE HARNESS-SUB	DRUM-M,WW80T754DBT/S7,U- PJT,ADD WASH SUB WIRE	1	PC	SA
5-3	DC97-22283G	ASSY FRAME FRONT-MODULE	WW7000T,INOX GRA	1	PC	SA
5-3-1	DA66-01072A	LATCH	LATOUR,POM,NATURAL,DC LATCH	1	PC	SA
5-3-2	DC61-01919B	BRACKET HINGE	WW6500K,GI-SGCC,T1.4,N/A	1	PC	SA
5-3-3	DC61-05186B	FRAME FRONT	WW6000,GI-SGCD,INOX GRAY,T0.	1	PC	SA
5-3-4	DC61-01917G	GUIDE FILTER	WW90T754DBX/S6,PP,T2.5,BLAC	1	PC	SA

5. ASSY PANEL CONTROL PARTS (WW90T986DSX/S3)

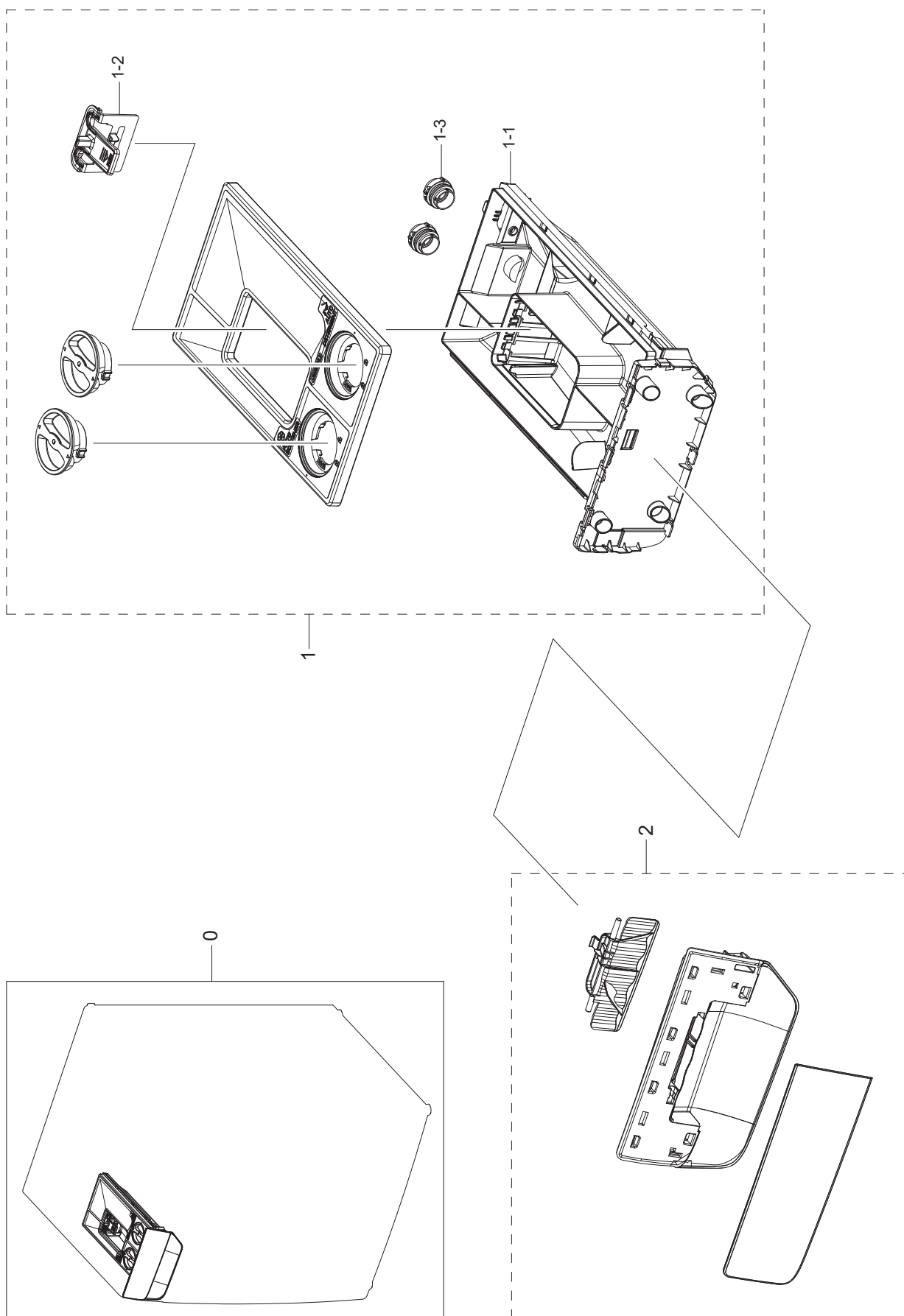


MODEL CODE (WW90T986DSX/S3)

Service Bom (**SA**: SERVICE AVAILABLE, **SNA**: SERVICE NOT AVAILABLE)

Drawing No	Code No.	Description	Specification	QTY	Un	SA/SNA
0	DC90-28711D	ASSY PANEL CONTROL PARTS	WW8000T,SIMPLE,	1	PC	SNA
1	6002-000445	SCREW-TAPPING	TH,+,NO,2,M4,L18,PASS,STS430	2	PC	SNA
2	6006-001174	SCREW-TAPPING	TH,+,WT,2S,M4,L12,ZPC(WHT),SW RCH18A	3	PC	SNA
3	DC64-03921A	KNOB ENCODER	A1 SIMPLE,ABS,HB,NATURAL,CHROME,MP-0160R,NC0001	1	PC	SA
4	DC92-02642Q	ASSY MODULE	FWM_Touch Display,WW8500T,8key,WIFI(TP2X), S1,Standard	1	PC	SA
5	DC97-22157A	ASSY PANEL CONTROL-MODULE	WW9800T,WW90T9	1	PC	SA

6.ASSY DRAWER PARTS (WW90T986DSX/S3)

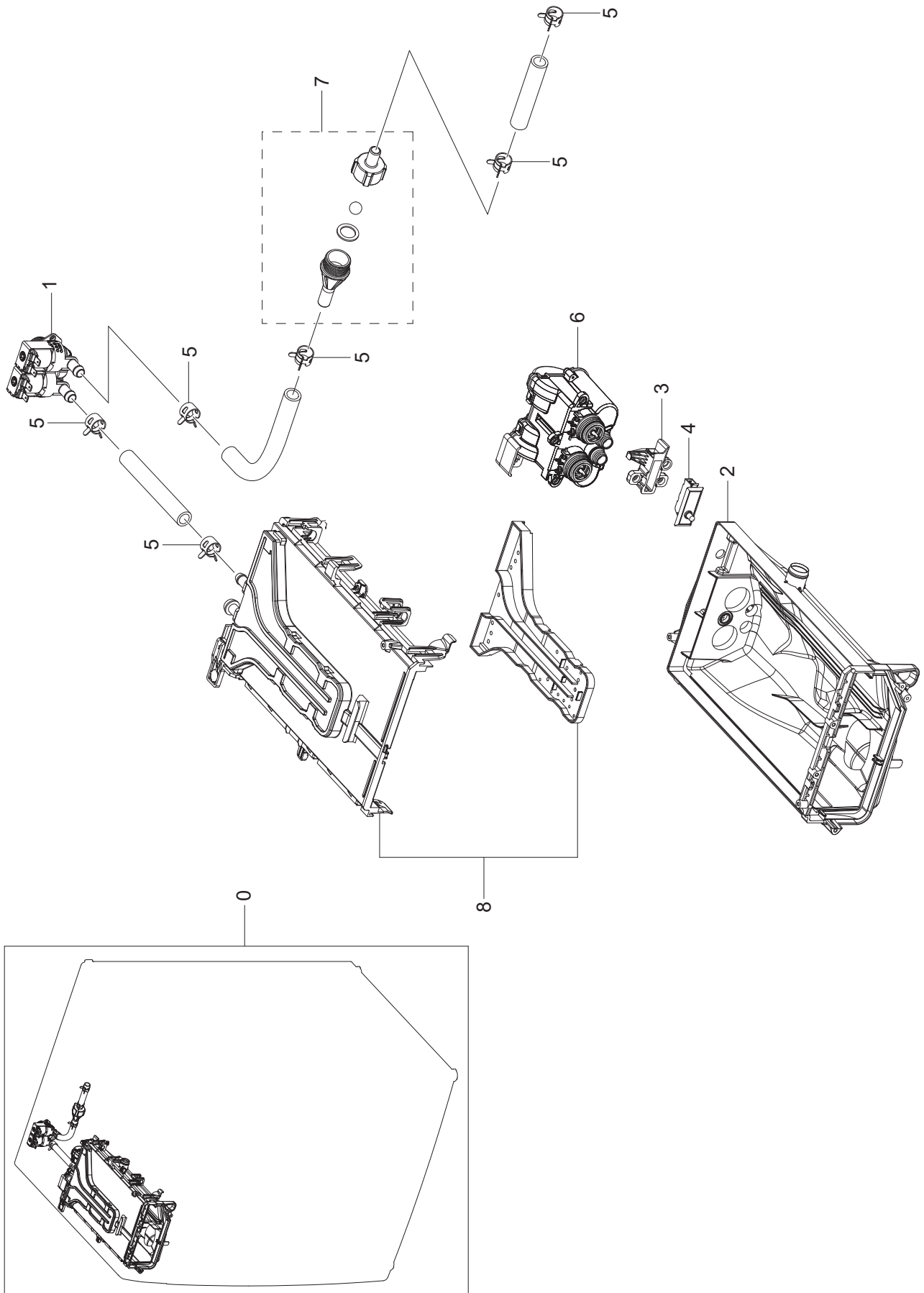


MODEL CODE (WW90T986DSX/S3)

Service Bom (**SA**: SERVICE AVAILABLE, **SNA**: SERVICE NOT AVAILABLE)

Drawing No.	Code No.	Description	Specification	QTY	Un	SA/SNA
0	DC97-22235H	ASSY DRAWER-MODULE	WW8000T,INOX+BLACK,IM	1	PC	SNA
1	DC97-22236A	ASSY DRAWER	U-PJT,WW7000T,24inch	1	PC	SA
1-1	DC61-05188A	BODY DRAWER	WW8000T,PP,DA WHITE,FC2305	1	PC	SA
1-2	DC67-00928A	CAP GUIDE WATER	"WW8800M,PP,MT43,Honesty Blue Light,BL0141"	1	PC	SA
1-3	DC97-22023B	ASSY CAP V.W	WF65000T	2	PC	SA
2	DC97-22280C	ASSY PANEL DRAWER	WW8000T,INOX+BLACK, IM	1	PC	SA

7. ASSY HOUSING DRAWER (WW90T986DSX/S3)

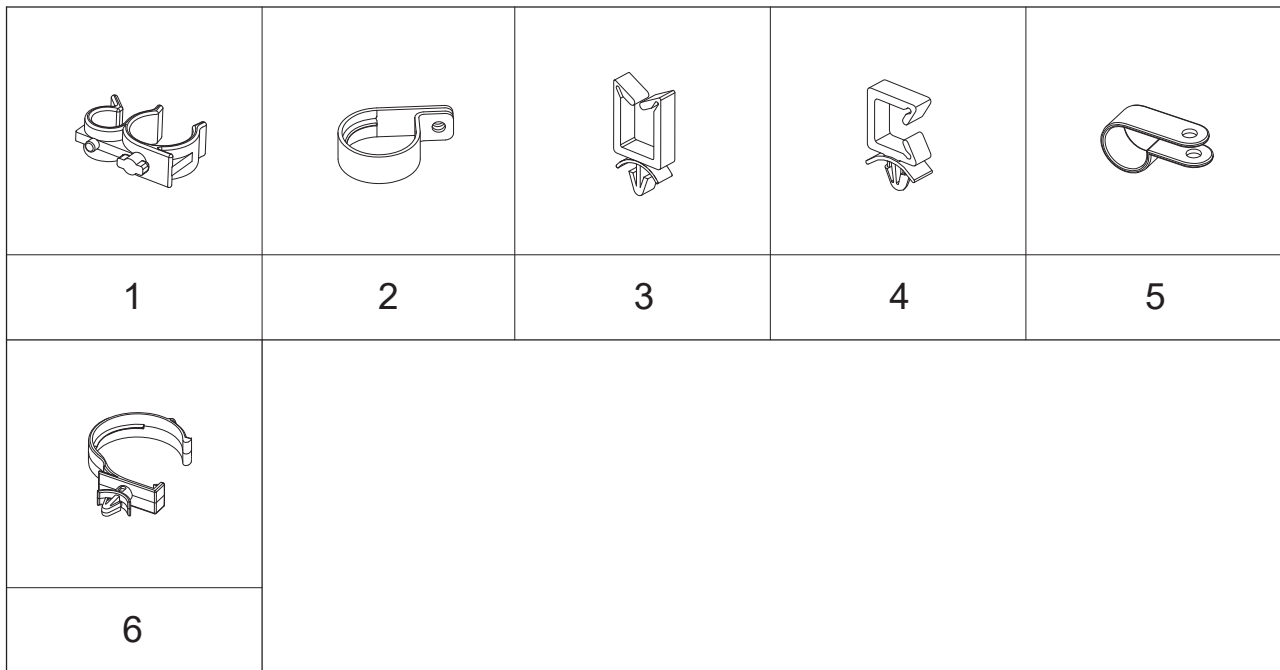


MODEL CODE (WW90T986DSX/S3)

Service Bom (**SA**: SERVICE AVAILABLE, **SNA**: SERVICE NOT AVAILABLE)

Drawing No.	Code No.	Description	Specification	QTY	Un	SA/SNA
0	DC97-22238C	ASSY HOUSING DRAWER	WW7000T,HEBA 58 AOW	1	PC	SNA
1	DC33-01010A	VALVE WATER	DC12V,Bracket,mm,#250,1,2,11-11L/min	1	PC	SA
2	DC61-05190A	HOUSING DRAWER-LOW	WW8000T,PP,T2,NATURAL,FC2305	1	PC	SA
3	DC63-02160A	COVER DOOR SWITCH	WW10M86DQOO/ EU,PP,NATURAL,NC0001, FC2305	1	PC	SA
4	DC64-00828H	SWITCH DOOR	AC125-250V,0.75-1.5A,1BUTTON, WHITE, OP10.0	1	PC	SA
5	DC65-00008B	CLAMPER HOSE	SSEC-GE,SK5,Dacromet,T1.0	6	PC	SA
6	DC97-19821A	ASSY PUMP DRAIN	ASD,WD9500M,12V,DC	1	PC	SA
7	DC97-21031A	ASSY NOZZLE CONNECTOR	WD6800N	1	PC	SA
8	DC97-22239A	ASSY S.HOUSING DRAWER	U-PJT,WW7000T,PP,24inch	1	PC	SA

8. SMALL PARTS



MODEL CODE: WW90T986DSX/S3

Service Bom (SA: SERVICE AVAILABLE, SNA: SERVICE NOT AVAILABLE)

Drawing No.	Code No.	Description	Specification	InstPoint	QTY	Un	SA/SNA
1	DC61-00133A	CLAMPER HOSE-FIX	P1291,PP,HOSE+PLUG, BJ-750	FRM+H- DRAIN+P-CODE	3	PC	SA
2	DC61-00118A	CLAMP-CABLE	P1291,PA66,ID27,OD30, NATURAL,-,-,NC0001	"H-DRAIN(O) +FRAME"	1	PC	SA
3	DC61-00553B	CABLE CLAMP	DAWS-3NE,PA66,NTR	ASSY PAINT FRAME	1	PC	SNA
4	DC61-00553C	CABLE CLAMP	-,PA66,NTR	ASSY PANEL CONTROL	1	PC	SNA
5	6502-000168	CABLE CLAMP	DA-6N,ID10.0,T1.0,NYLON6/6, NAT	ASSY SEMI TUB FRONT	1	PC	SNA
6	DC61-02879A	HOLDER WIRE	"WF8804CPA,PA,L58.6, NATURAL, 2110R"	FRAME+HOSE(O)	1	PC	SNA

9. PARTS LIST (SCREW TYPE)

MODEL CODE (WW90T986DSX/S3)

Service Bom (SA: SERVICE AVAILABLE, SNA: SERVICE NOT AVAILABLE)

Code No.	Description	Specification	QTY	Un	SA/SNA
6001-000115	SCREW-MACHINE	BH,+,M3,L10,ZPC(WHT),SWRCH18A,2S	6	PC	SNA
6002-000213	SCREW-TAPPING	TH,+,1,M4,L12,ZPC(WHT),SWRCH18A	20	PC	SNA
6002-000444	SCREW-TAPPING	TH,+,2,M4,L14,PASS,STS430	22	PC	SNA
6002-000445	SCREW-TAPPING	TH,+,NO,2,M4,L18,PASS,STS430	13	PC	SNA
6002-000470	SCREW-TAPPING	TH,+,NO,1,M4,L10,ZPC(WHT),SWRCH18A	2	PC	SNA
6002-000630	SCREW-TAPPING	PH,+,2S,M3,L8,ZPC(WHT),SWRCH18A	7	PC	SNA
6002-001006	SCREW-TAPPING	TH,+,-,2S,M4,L12,PASS,STS430,-	3	PC	SNA
6002-001279	SCREW-TAPPING	PWH,+,1,M4,L12,PASS,STS430	2	PC	SNA
6002-001286	SCREW-TAPPING	FH,+,-,1,M4,L16,PASS,STS430,-	4	PC	SNA
6002-001327	SCREW-TAPPING	PWH,+,1,M4,L12,ZPC(WHT),SWRCH18A	4	PC	SNA
6002-001436	SCREW-TAPPING	PH,+,2,M4,L18,ZPC(WHT),SWRCH18A	6	PC	SNA
6002-001438	SCREW-TAPPING	HWH,+,NO,1,M5,L12,ZPC(WHT),SWRCH18A,SE PERATOR	2	PC	SNA
6002-001554	SCREW-TAPPING	BH,+,No,1,M4,L12,STS430,HEAD SIZE OD8.0	4	PC	SNA
6003-000226	SCREW-TAPTYPE	TH,+,-,S,M4,L8,ZPC(WHT),SWRCH18A,-	3	PC	SNA
6003-001768	SCREW-TAPTYPE	TH,+,WT,S,M4,L10,ZPC(WHT),SWRCH18A	3	PC	SNA
6006-001174	SCREW-TAPPING	TH,+,WT,2S,M4,L12,ZPC(WHT),SWRCH18A	12	PC	SNA
6009-001343	SCREW-SPECIAL	PH,TORX,M4,L12,ZPC(WHT),SWRCH18A,1,2B ODY	2	PC	SNA
6009-001522	SCREW-HEX	HWH,+,M5,L16,PASS,STS430,FP,SEAL-LOCK	4	PC	SA
DC97-14006C	ASSY SCREW	GRIFFIN-PJT,Wf9904RWE,SWRCH18A,M4*L16	2	PC	SNA
DC97-15858A	ASSY SCREW	trumph-PJT,Wf-F1061/YLP,SWRCH18A	2	PC	SNA
DE60-10080A	SCREW-TAPPING	PWH,+,2S,M5,L9,ZPC(WHT),SWRCH18A	2	PC	SNA