
1. EXPLODED VIEWS AND PARTS LIST

[MATERIAL CODE STANDARDS]

Material codes and names and their respective naming rules are managed in accordance with the prescribed standards. Please refer to these standards when requesting a material.

1. Material Code Type

● : Number

■ : Letter (Alphabet)

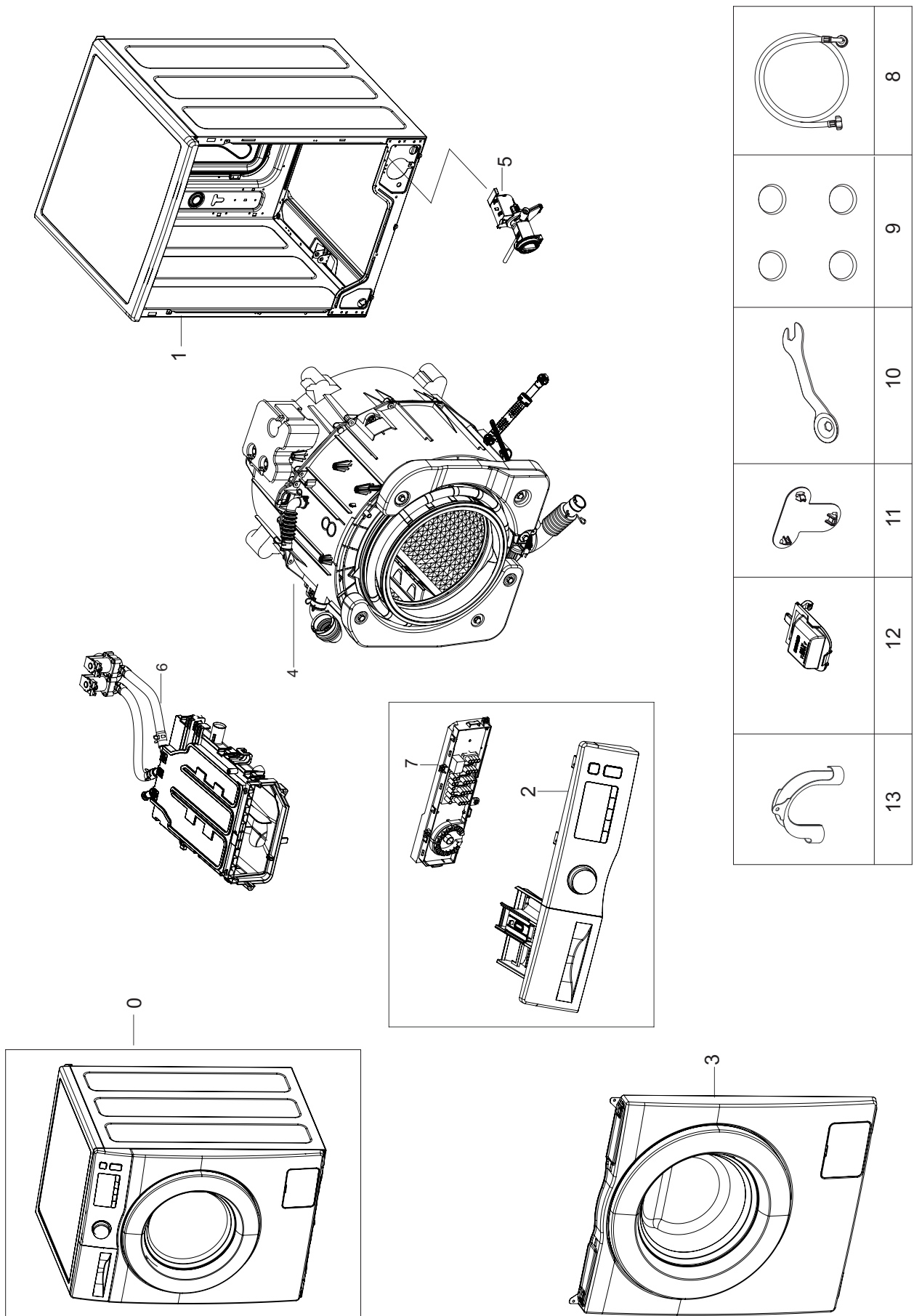
Type 1	●●●●-●●●● ex) 0204-000418 FREON	Enterprise-wide parts Type 1 materials can be used for all Samsung Electronics products. (Most electrical parts belong to this type.)
Type 2	■■●●-●●●●■ ex) DC96-01390A ASSY-CONTROL	Division-wide parts (DC**-Washing machine) Type 2 materials can be used for specific products. (Most instruments and tools belong to this type.)


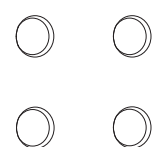




2. Ass'y Materials

All ass'y material codes start with DC9*.

An ass'y material is created by combining more than two materials. If a requested material cannot be provided, you can request an ass'y material that contains that material.

1.MAIN



	8
	9
	10
	11
	12
	13

MODEL CODE:WW11J4453JWFAZService Bom (**SA**: SERVICE AVAILABLE, **SNA**: SERVICE NOT AVAILABLE)

Drawing No.	Code No.	Description	Specification	QTY	Un	SA/SNA
0	-	WW11J4453JWFAZ	-	1	-	-
1	-	FRAME & COVER PARTS	-	1	-	-
2	-	PANEL CONTROL & DRAWER	-	1	-	-
3	-	FRAME FRONT & DOOR	-	1	-	-
4	DC90-26813A	ASSY TUB&DRUM	WW10J44530WFAZ	1	PC	SNA
5	DC97-15696F	ASSY PUMP DRAIN	SCOUT,WF0794W7E/XTC,BUBB	1	PC	SNA
6	DC97-18573A	ASSY HOUSING DRAWER	WW3~6000,8kg/9kg	1	PC	SA
7	DC92-02514B	ASSY KIT	FWM_INV,WW4000J,HEBA 63,220V,9K	1	PC	SA
8	DC97-16921A	ASSY HOSE WATER	WA5700J	1	PC	SC
9	DC67-00307A	CAP-FIXER	WF438AAC/XAA,PP,T1.5,RECYCLE,B	4	PC	SA
10	DC60-00104A	FASTENER-BOLT	ALL,CR,OD36,2.5,L113.5	1	PC	SA
11	DC67-00208B	CAP-FIXER	WF8602NHS/XFA,PP,T1.5,P535-H,B	1	PC	SA
12	DC61-03510A	GUIDE LIQUID	WF-F500E,PP,MT43,Honesty Bl	1	PC	SA
13	DC62-10278A	HOSE HANGER	PUMP MODEL,PP,BLACK	1	PC	SA

MODEL CODE: WW11J4453JWFAZ

Service Bom (SA: SERVICE AVAILABLE, SNA: SERVICE NOT AVAILABLE)

Drawing No.	Code No.	Description	Specification	QTY	Un	SA/SNA
1	DC97-15696F	ASSY PUMP DRAIN	SCOUT,WF0794W7E/XTC,BUBB	1	PC	SNA
1-1	DC97-19914A	ASSY CASE FILTER	BUBBLE	1	PC	SA
1-1-1	DC64-02783A	HANDLE FILTER	WF350ANW/XAA,PP,T2.3,W63.8	1	PC	SA
1-1-2	DC73-00022A	SEAL PACKING	SEW-HVR149ATA,EPDM,BLK,-	1	PC	SA
1-1-3	DC63-00998A	FILTER PUMP	SCOUT-PJT,PP,-,NEAT WHITE,BU	1	PC	SA
1-2	DC67-00244M	HOSE DRAIN	AEGIS,EPDM,ID6,OD10,T2.0,L270	1	PC	SA
1-3	DC69-01128A	PACKING-PUMP	WF8804DP,IIR,BUTYL,T2.5,HEB	1	PC	SA
1-4	DC97-19905A	ASSY HOSE PUMP	DRUM	1	PC	SA
1-4-1	DC67-00461A	HOSE AIR TUB	SCOUT- PJT,EPDM,T1.5,BLK	1	PC	SA
1-5	DC61-02271B	CASE PUMP	WF0804Y8E/XEF,PP,T2.5,W153.6,L	1	PC	SA
1-6	DC31-00181B	MOTOR AC PUMP	W/M,B15-5A/PX2026-1/S3037,	2	PC	SA
1-8	DC69-01128A	PACKING-PUMP	WF8804DP,IIR,BUTYL,T2.5,HEB	1	PC	SA
1-10	DC97-15695C	ASSY FILTER	Heba,WF9904CWN1	1	PC	SA
2	DC97-19834A	ASSY PAINT FRAME	WW3~6000J,WW90J6410CW/L	1	PC	SA
2-1	DC97-19169Q	ASSY FRAME	WW6500K,WW90K6410QW/SP,DA WHI	1	PC	SNA
2-1-1	DC61-04173E	FRAME	WW5/6500K,GI-SGCC,DA WHITE,T0.8,14	1	PC	SNA
2-2	DC97-00920H	ASSY LEG	-,ALL EXCEPT AUSTRALI MODEL,L33	4	PC	SA
2-3	DC61-01901A	GUIDE FRAME FRONT	ALL MODEL,POM,T5.5,K30	2	PC	SNA
2-4	DC61-40083A	HOLDER WIRE	DAWH-3ND,PA66,NTR(PI24.4)/NY	1	PC	SNA
2-5	DC61-40081A	HOLDER WIRE	DAWH-2NC,PA66,-,NATURAL,-	7	PC	SA
2-6	DC61-02065A	GUIDE SPRING	WF448AAG/XXA,POM,T4,W24,L36	2	PC	SA
2-7	DC61-00133A	CLAMPER HOSE-FIX	P1291,PP,-,HOSE+PLUG,BJ	1	PC	SA
2-8	DC61-40083A	HOLDER WIRE	DAWH-3ND,PA66,NTR(PI24.4)/NY	2	PC	SNA
2-9	DC61-02601A	GUIDE HOSE	SEINE COMBO 9.0kg,PS FOAM,WHI	1	PC	SA
3	DC97-18807A	ASSY FRAME PLATE-UP	WW6000J,WW90J6600CW	1	PC	SA
4	DC61-00118A	CLAMP-CABLE	P1291,PA66,NATURAL,NC0001	1	PC	SA
5	DC63-00862C	COVER BACK	WF8600NMW,GI-SGCC,T0.35,W352,	1	PC	SA
6	DC97-14653C	ASSY FIXER TUB	SCOUT,WF0804Y8E/XEF	4	PC	SA
6-1	DC61-01937C	FIXER TUB	WF8804,FRPP,NTR,HEBA	4	PC	SNA
6-2	DC73-00035A	FIXER RUBBER	WF0804Y8E/XEF,EPDM,BLACK,-,	4	PC	SNA
6-3	DC60-60044B	WASHER PLAIN	SBC,ID8.4/OD30,T2.0	4	PC	SA
6-4	DC60-40142B	BOLT HEX	SEW-3HR105,SM10C,HEX,M7,L114.5,	4	PC	SNA
7	DC96-01703G	SENSOR PRESSURE	Air,5,-,400mmH20,-	1	PC	SA
8	DC29-00015G	FILTER EMI	LFT-215G,-,AC 250V,15,53*95.5	1	PC	SA
9	DC61-02029A	SPRING ETC-HANGER	HEBA,HSWR,CD3.5,OD26,L	2	PC	SA
10	DC97-18680X	ASSY COVER TOP	WW3~6000,HEBA,DA WHITE,8k	1	PC	SA
12	DC93-00648H	ASSY WIRE HARNESS-MAIN	DRUM-M,WW11J4453J	1	PC	SA

MODEL CODE: WW11J4453JWFAZService Bom (**SA**: SERVICE AVAILABLE, **SNA**: SERVICE NOT AVAILABLE)

Drawing No.	Code No.	Description	Specification	QTY	Un	SA/SNA
13	DC64-01757A	SHUTTER	HEBA-PJT,PP,T3.0,-,-,WHT,7kg/DAN	1	PC	SA
14	DC97-20913B	ASSY HOSE DRAIN(O)	Heba,1870,ID20.5	1	PC	SA
14-1	DC67-00992A	HOSE PUMP	Heba,PP,ID20.5,T1,LIGHT GRAY	1	PC	SA
15	DC93-00139A	POWER CORD-AT	H05VV-F 3x1.5mm2,GRY,BR3S-	1	PC	SA
15-1	DC93-00139A	POWER CORD-AT	H05VV-F 3x1.5mm2,GRY,BR3S-	1	PC	SA
16	DC61-10673C	CAP DRAIN	WF1802XEY/XSC,FRPP,BLACK	1	PC	SA
17	DC97-15858A	ASSY SCREW	trumph-PJT,WF-F1061/YLP,SWRCH	2	PC	SNA
18	6922-000041	BAND	PP,T0.9,W17,L2000M,TRP	7	M	SNA

MODEL CODE:WW11J4453JWFAZ

Service Bom (SA: SERVICE AVAILABLE, SNA: SERVICE NOT AVAILABLE)

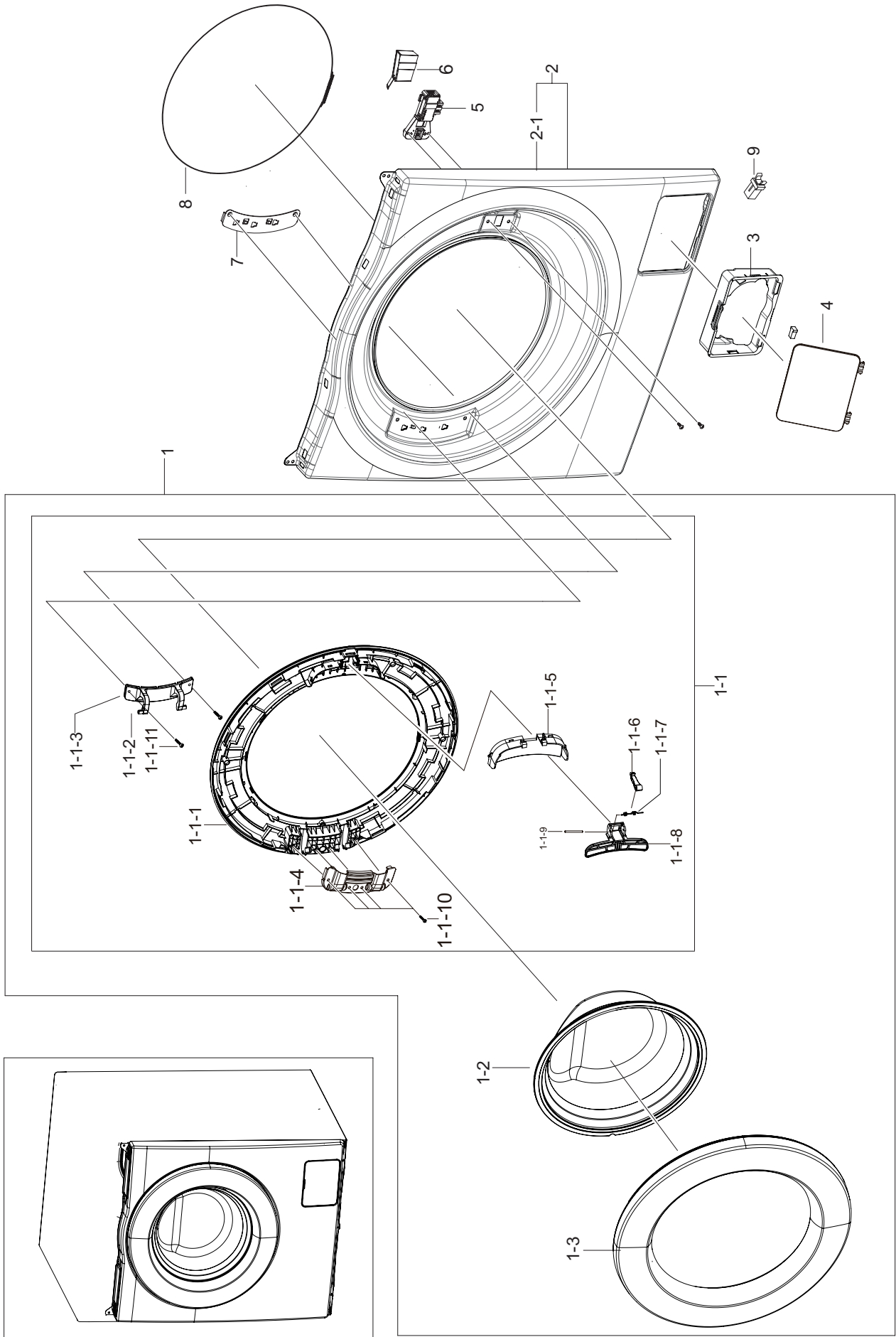
Drawing No.	Code No.	Description	Specification	QTY	Un	SA/SNA
0	DC90-26813A	ASSY TUB&DRUM	WW10J44530WFAZ	1	PC	SNA
1	DC97-18555E	ASSY SEMI TUB FRONT	WW3000~5000J,WW80J44	1	PC	SA
1-1	DC97-14263A	ASSY BOLT	MOTOR/BOLT(M8)+WASHER(OD27.5),	2	PC	SA
1-1-1	DC97-15993A	ASSY HOSE CIRCULATION	SCOUT,WF0804Y8E,EP	1	PC	SA
1-2	DC97-14637G	ASSY HOSE PRESSURE	SCOUT COMBO,WD0804W8N	1	PC	SA
1-2-1	DC67-00293A	HOSE FILTER TUB	HEBA-PJT,EPDM,-,-,T2.5,-	1	PC	SA
1-2-2	DC67-00598A	HOSE JOINT AIR	WD0804W8N1/YAH,PP,ID36.2,	1	PC	SA
1-2-3	DC67-00230E	HOSE WATER	WD8704,TPE,ID4.5	1	PC	SNA
1-2-4	DC63-10003H	ABSORBER SPONGE	-,PUR FOAM,H35,HB,BLACK	1	PC	SNA
1-2-5	DC72-00001H	CLIP RING	HEBA-PJT,HSWR-SWRH,WHITE	1	PC	SNA
1-2-6	DC61-00219B	CLAMPER HOSE	SK5,WLSL1100A,ID24 OD26.4	1	PC	SNA
1-2-7	DC61-70029C	CLIP RING	SEW-HW125,HSWR-SWRH,WHITE	2	PC	SNA
1-3	DC61-01932D	TUB FRONT	HEBA PJT,FRPP,ID528,OD575,NTR,	1	PC	SA
1-4	DC64-03198A	DOOR DIAPHRAGM	WW6,5,4,3000J,EPDM,-,-,-,	1	PC	SA
1-5	DC65-00021A	CLAMPER HOSE-JOINT	HEBA PJT,HSWR-SWRH,ID	1	PC	SNA
1-6	DC91-12077G	ASSY CLAMP DIAPHRAGM	AEGIS,WF8500NHW/YLP	1	PC	SA
1-7	DC67-00474A	HOSE-DRAWER TUB	WW3000,EPDM,T2.0,BLACK	1	PC	SA
1-8	DC65-60118R	CLIP RING	AEGIS-PJT,HSWR-SWRH,T3.0,ID37	1	PC	SA
1-9	DC72-00001G	CLIP RING	HEBA-PJT,HSWR-SWRH,T3.0,ID49.5	1	PC	SNA
1-10	DC67-00298A	HOSE AIR	HEBA PJT,EPDM,-,-,T2.5,-,BLK,-	1	PC	SA
1-11	DC65-60118J	CLIP RING	HSWR-SWRH,-,PI2.0/ID23	1	PC	SNA
1-12	DC61-00158A	CLAMPER HOSE	SW65ASP,SK5,ID23,T0.8,-	1	PC	SA
1-13	DC66-00421B	DAMPER SHOCK	HEBA-SSEC PJT,PP,80N	2	PC	SC
1-14	DC60-40144A	BOLT HEX	SM10C,L35,ZPC2(YEL),M10,ZPC2(YE	2	PC	SA
2	DC97-17686F	ASSY DRUM	WF106U4SAWQ/AZ	1	PC	SA
2-1	DC66-00493A	DRUM LIFTER	HEBA PJT,PP,TI42,GRAY,7/8KG	3	PC	SA
2-2	DC66-00492B	DRUM BACK	AEGIS-PJT,STS430,488mm,T0.4	1	PC	SNA
2-3	DC66-00489C	DRUM FRONT	SEINE COMBO 9KG,STS430,T0.6	1	PC	SNA
2-4	DC97-14369G	ASSY FLANGE SHAFT	WF8804DPA	1	PC	SA
2-5	DC66-00491A	DRUM WRAPPER	HEBA PJT/8.0kg,STS430,OD492	1	PC	SNA
2-6	6002-000445	SCREW-TAPPING	TH,+ ,NO,2,M4,L18,PASS,STS4	4	PC	SNA

MODEL CODE:WW11J4453JWFAZ

Service Bom (SA: SERVICE AVAILABLE, SNA: SERVICE NOT AVAILABLE)

Drawing No.	Code No.	Description	Specification	QTY	Un	SA/SNA
2-7	DC60-40137A	BOLT HEX	MARS-PJT,STS430,M8,P1.25,L30,HE	3	PC	SA
3	DC97-16462E	ASSY SEMI TUB BACK	Heba PJT,WF8804ASA	1	PC	SA
3-1	DC97-16856A	ASSY HOUSING BEARING	HEBA,WF8804DPA1	1	PC	SNA
3-2	DC61-01934C	TUB BACK	Heba,FRPP,NATURAL,1400RPM	1	PC	SNA
3-3	6601-000148	BEARING BALL	6206ZZ,ID30,OD62,L16,STB2	1	PC	SNA
3-3	6601-000176	BEARING BALL	6205ZZ,ID25,OD52,L15,STB2	1	PC	SNA
3-4	DC62-00008A	SEAL OIL	NBR,BLACK,-,NBU	1	PC	SA
3-5	DC69-00824A	PACKING-THERMISTOR	GW-PJT,EPDM,-,-,W17,H	1	PC	SNA
3-6	DC69-01154A	PACKING-TUB	WF8804DP,EPDM,-,-,L1650	1	PC	SA
3-7	DC61-02664B	BRACKET HEATER	HEBA,STS430,T0.5	1	PC	SA
3-8	DC93-00015A	ASSY WIRE EARTH	AEGIS,5KG,230V/50HZ,EART	1	PC	SA
4	6602-001497	BELT-TIMING GEAR	RUBBER(GATES),T3.2,1270	1	PC	SA
5	DC97-06080E	ASSY BOLT	M10 PITCH 1.5 L31	1	PC	SA
6	DC66-00500A	PULLEY MOTOR	HEBA PJT,ALDC,OD296.8,1400R	1	PC	SA
7	DC67-01036A	WEIGHT BALANCER-UP	HEBA,CONCRETE,NATURAL	1	PC	SA
8	6011-003934	BOLT-HEX	M7.6,L48,ZPC(WHT),SCM 435,WASHE	9	PC	SA
9	DC97-16008A	ASSY WEIGHT BALANCER-LEFT	SCOUT-PJT,WF08	1	PC	SA
10	DC97-18524A	ASSY WEIGHT BALANCER-RIGHT	HEBA,6.5KG,PE	1	PC	SA
11	DC47-00033B	HEATER WASH	AC230V,2000W,SUS316L,728mm,N	1	PC	SA
12	DC32-00010C	THERMISTOR	WASHER,-10~100,5,5,3.243k ± 2	1	PC	SA
13	DC97-14263A	ASSY BOLT	MOTOR/BOLT(M8)+WASHER(OD27.5),	2	PC	SA
14	DC93-00586E	ASSY MOTOR BLDC	WDM350FGA,F,DC310(PWM AC	1	PC	SA
15	DC61-01088A	BUSH MOTOR	Q1636,PA,NTR,PA66,ID16.2,OD20	2	PC	SNA
16	6009-001367	BOLT-HEX	M6.5,L32,ZPC(WHT),SWRCH18A,HWH	16	PC	SNA

4.ASS'Y FRAME FRONT

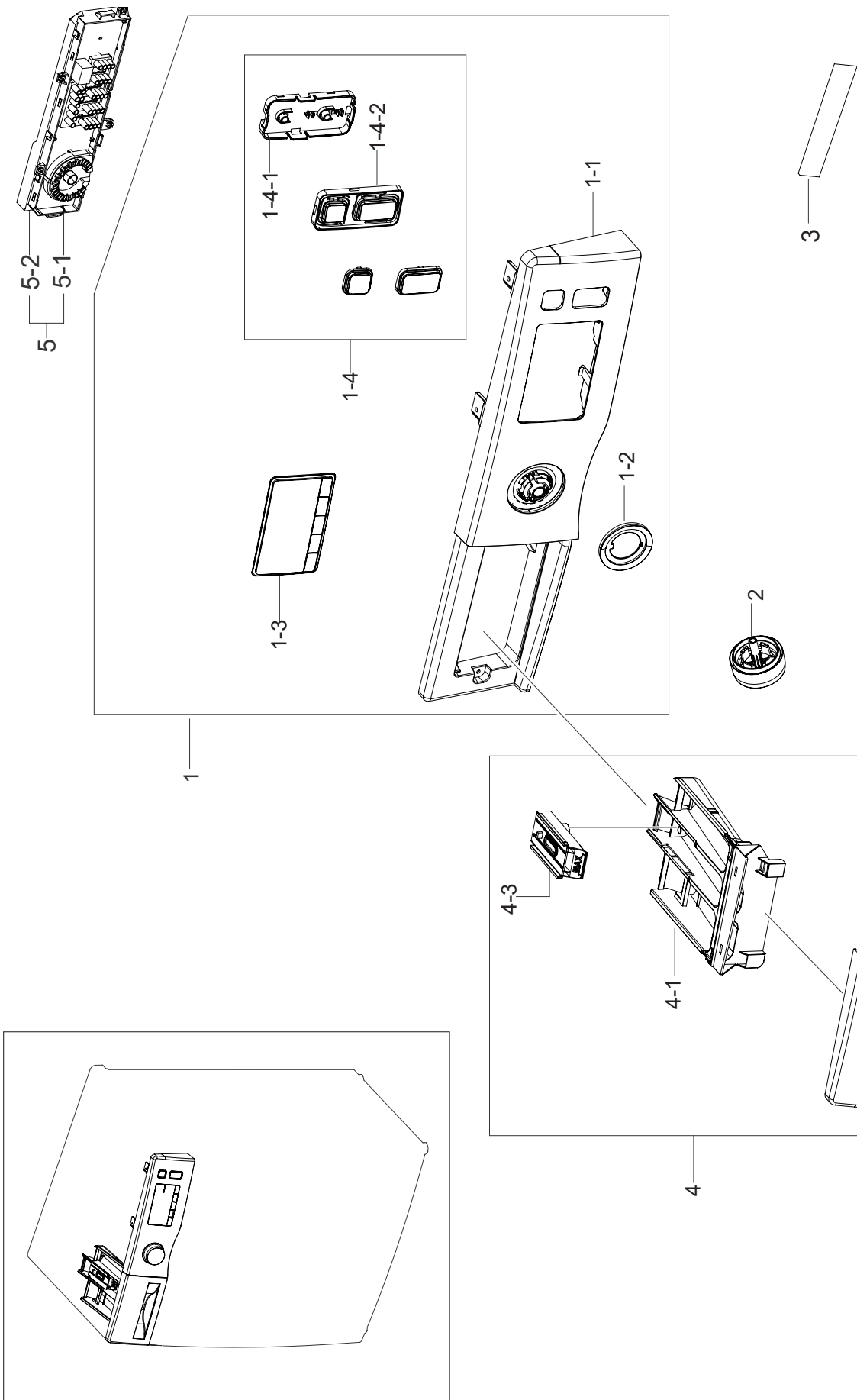


MODEL CODE: WW11J4453JWFAZ

Service Bom (SA: SERVICE AVAILABLE, SNA: SERVICE NOT AVAILABLE)

Drawing No.	Code No.	Description	Specification	QTY	Un	SA/SNA
1	DC97-18710F	ASSY DOOR	WW4000J VE,WW70J4263JS/TL,DEEP	1	PC	SNA
1-1	DC97-18659A	ASSY HOLDER GLASS	WW5000J STD	1	PC	SA
1-1-1	DC61-03966C	HOLDER GLASS	PP,VERSAILLES GRAY,FC2305,C	1	PC	SNA
1-1-2	DC61-00891A	GUIDE HINGE	HAUZEN(DOM),POM,-,-,WHT,HI	2	PC	SA
1-1-3	DC61-03972B	HINGE DOOR	WW6000J,ALDC,T3.0	1	PC	SA
1-1-4	DC61-01915F	BRACKET HOLDER	GI-SGCC,T1	1	PC	SNA
1-1-5	DC63-01541D	COVER HANDLE	ABS,EBONY BLACK,HG-0760GP,B	1	PC	SA
1-1-6	DC66-00497A	LEVER DOOR	WF8804DP,ZNDC,T10,W10,L46,NI	1	PC	SC
1-1-7	DC61-02027A	SPRING ETC LEVER	STAINLESS-ST304,CD1.2,	1	PC	SA
1-1-8	DC64-02852D	HANDLE DOOR	ABS,T2,HG-0760GP,EBONY BLACK	1	PC	SA
1-1-9	DC64-00564A	HANDLE PIN	WF602U2BKWQ/SC,STS304,NATURE	1	PC	SA
1-1-10	6002-000445	SCREW-TAPPING	TH,+,NO,2,M4,L18,PASS,STS4	4	PC	SNA
1-1-11	6009-001522	SCREW-HEX	HWH,+,M5,L16,PASS,STS430,FP,SE	2	PC	SA
1-2	DC64-01790A	DOOR GLASS	AEGIS,GLASS,T5.0,W353.0	1	PC	SA
1-3	DC63-01834F	COVER DOOR	ABS+PMMA,T3,DEEP GENTLE BLUE,	1	PC	SA
2	DC97-22047G	ASSY FRAME FRONT	WW11J4453JWFAZ,DA WHITE	1	PC	SA
2-1	DC61-04226A	FRAME FRONT	46/56/6600K,GI-SGCC,DA WHITE	1	PC	SNA
3	DC61-04227A	GUIDE FILTER	PP,T2.0,TB53,BLACK	1	PC	SA
4	DC63-01974A	COVER FILTER	ABS,T2.5,DA WHITE,WT0035	1	PC	SA
5	DC64-01538A	SWITCH DOOR LOCK	AC250V,16,BIMETAL	1	PC	SA
6	DC63-00967A	COVER DOOR SWITCH	AEGIS-PJT/ WF8500NHW,P	1	PC	SNA
7	DC61-01919A	BRACKET HINGE	WF8804DP,GI-SGCC,T1.4,L161	1	PC	SA
8	DC91-12078E	ASSY WIRE DIAPHRAGM	AEGIS,WF8500NHW/YLP,	1	PC	SA
9	DA66-01072A	LATCH	LATOUR,POM,NATURAL,DC LATCH	1	PC	SA

5.PANEL-CONTROL & DRAWER

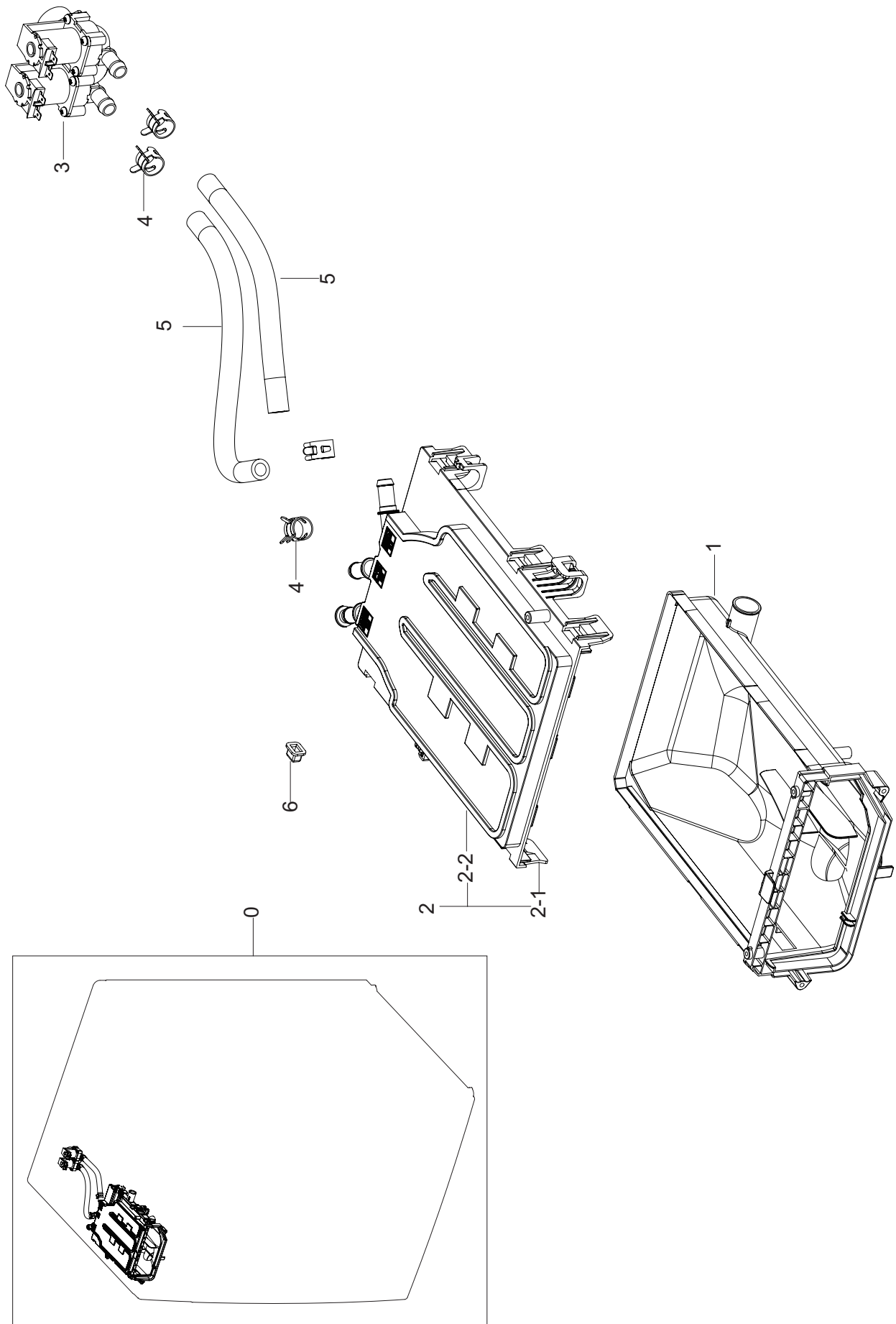


MODEL CODE: WW11J4453JWFAZ

Service Bom (SA: SERVICE AVAILABLE, SNA: SERVICE NOT AVAILABLE)

SVC Code	Code No.	Description	Specification	QTY	Un	SA/SNA
1	DC97-21724M	ASSY PANEL CONTROL	WW4000J,WW10J44530WFA	1	PC	SA
1-1	DC64-02853A	PANEL CONTROL	F500E,ABS,-,HG-0760GP,DA W	1	PC	SNA
1-2	DC64-02856B	WINDOW ENCODER	ABS+PMMA,HB,TF-0930,GRAY	1	PC	SNA
1-3	DC64-03279T	WINDOW PANEL	WW10J44530WFAZ-90,PMMA,FT61	1	PC	SNA
1-4	DC97-19113E	ASSY BUTTON	WD80K5A10OW/EC,DA WHITE	1	PC	SNA
1-4-1	DC63-01543A	COVER-BUTTON(L)	F500E,ABS,T2.0,-,DA WHIT	1	PC	SNA
1-4-2	DC64-03313K	BUTTON PUSH-POWER	WD80K5A10OW,ABS,DA WHI	1	PC	SNA
2	DC64-03312B	KNOB ENCODER	F500E,ABS+PMMA,BK0018, TP00	1	PC	SA
3	DC92-01785A	ASSY MODULE	TOUCH SENSOR,WW4/3000J,5KEY	1	PC	SA
4	DC97-17310A	ASSY DRAWER	F500E,WF80F50FU4W,8kg, DA WH	1	PC	SNA
4-1	DC61-03480A	BODY DRAWER	WF-F500E,PP,DA WHITE,WT0035,	1	PC	SA
4-2	DC64-02858M	PANEL DRAWER	ABS,HB,HG0760GP,DA WHITE,WT	1	PC	SA
4-3	DC67-00669A	CAP RINSE	WF-F500E,PP,-,MT43,Honesty B	1	PC	SA
5	DC92-02514B	ASSY KIT	FWM_INV,WW4000J,HEBA 63,220V,9K	1	PC	SA
5-1	DC92-01776N	ASSY PCB DISPLAY	FWM_DIM,WW6/5/4/3000,29	1	PC	SA
5-2	DC92-02513D	ASSY PCB MAIN	FWM_INV,WW4000J,292*88,230	1	PC	SNA

6.ASS'Y HOUSING DRAWER



MODEL CODE:WW11J4453JWFAZService Bom (**SA**: SERVICE AVAILABLE, **SNA**: SERVICE NOT AVAILABLE)

Drawing No.	Code No.	Description	Specification	QTY	Un	SA/SNA
0	DC97-18573A	ASSY HOUSING DRAWER	WW3~6000,8kg/9kg	1	PC	SA
1	DC61-02663A	HOUSING DRAWER-LOW	WW5000,PP,T1.8,NATURA	1	PC	SA
2	DC97-17347A	ASSY S.HOUSING DRAWER	F500E,WF80F5E5U4W	1	PC	SA
2-1	DC61-03474A	HOUSING DRAWER-MIDDLE	WF-F500E,PP,NATURA	1	PC	SNA
2-2	DC61-03475A	HOUSING DRAWER-UP	WF-F500E,PP,NATURAL,FC	1	PC	SNA
3	DC62-00024M	VALVE WATER	AC220-240V,Bracket,1in 2out,	1	PC	SC
4	DC65-00008B	CLAMPER HOSE	SSEC-GE,SK5,-,Dacromet,T1.0	4	PC	SA
5	DC67-00051F	HOSE DRAWER	WF8502NHW,EPDM,ID9.0,OD14.5,	0.56	M	SA
6	DC67-00327A	CAP DRAWER HOOK	HEBA-PJT,EPDM,T1.1,W13.9	1	PC	SNA

7.PARTS LIST (SCREW TYPE)

MODEL CODE: WW11J4453JWFAZ

Service Bom (SA: SERVICE AVAILABLE, SNA: SERVICE NOT AVAILABLE)

NO.	Code No.	Description	Specification	QTY	Un	SA/ SNA
1	6002-000213	SCREW-TAPPING	TH,+,1,M4,L12,ZPC(WHT),SWR	4	PC	SNA
2	6003-001768	SCREW-TAPTYPE	TH,+,WT,S,M4,L10,ZPC(WHT),	2	PC	SNA
3	6006-001174	SCREW-TAPPING	TH,+,WT,2S,M4,L12,ZPC(WHT)	5	PC	SNA
4	6002-001327	SCREW-TAPPING	PWH,+,1,M4,L12,ZPC(WHT),SW	4	PC	SNA
5	6006-001174	SCREW-TAPPING	TH,+,WT,2S,M4,L12,ZPC(WHT)	2	PC	SNA
6	DE60-10080A	SCREW-TAPPING	PWH,+,-,2S,M5,L9,-,SWRCH18	2	PC	SNA
7	6002-000213	SCREW-TAPPING	TH,+,1,M4,L12,ZPC(WHT),SWR	1	PC	SNA
8	6002-000445	SCREW-TAPPING	TH,+,NO,2,M4,L18,PASS,STS4	2	PC	SNA
9	6002-001438	SCREW-TAPPING	HWH,+,NO,1,M5,L12,ZPC(WHT)	2	PC	SNA
10	6003-000226	SCREW-TAPTYPE	TH,+,-,S,M4,L8,ZPC(WHT),SW	2	PC	SNA
11	6006-001174	SCREW-TAPPING	TH,+,WT,2S,M4,L12,ZPC(WHT)	5	PC	SNA
12	6009-001343	SCREW-SPECIAL	PH,TORX,M4,L12,ZPC(WHT),SW	1	PC	SNA
13	6002-000630	SCREW-TAPPING	PH,+,NO,2S,M3,L8,ZPC(WHT),	1	PC	SNA
14	6002-000630	SCREW-TAPPING	PH,+,NO,2S,M3,L8,ZPC(WHT),	1	PC	SNA
15	6001-000115	SCREW-MACHINE	BH,+,-,M3,L10,ZPC(WHT),SWR	2	PC	SNA
16	6002-000239	SCREW-TAPPING	TH,+,NO,2S,M4,L8,ZPC(WHT),	2	PC	SNA
17	DC97-14006C	ASSY SCREW	GRIFFIN-PJT,Wf9904RWE,SWRCH18	2	PC	SNA
18	6002-001436	SCREW-TAPPING	PH,+,2,M4,L18,ZPC(WHT),SWR	6	PC	SNA
19	DC97-15858A	ASSY SCREW	trumph-PJT,Wf-F1061/YLP,SWRCH	2	PC	SNA
20	6002-000213	SCREW-TAPPING	TH,+,1,M4,L12,ZPC(WHT),SWR	2	PC	SNA
21	6002-001554	SCREW-TAPPING	BH,+,No,1,M4,L12,STS430,HE	2	PC	SNA
22	6009-001522	SCREW-HEX	HWH,+,M5,L16,PASS,STS430,FP,SE	2	PC	SA
23	6002-001554	SCREW-TAPPING	BH,+,No,1,M4,L12,STS430,HE	3	PC	SNA
24	6002-000445	SCREW-TAPPING	TH,+,NO,2,M4,L18,PASS,STS4	4	PC	SNA
25	6002-000445	SCREW-TAPPING	TH,+,NO,2,M4,L18,PASS,STS4	4	PC	SNA
26	6003-001768	SCREW-TAPTYPE	TH,+,WT,S,M4,L10,ZPC(WHT),	1	PC	SNA
27	6002-001554	SCREW-TAPPING	BH,+,No,1,M4,L12,STS430,HE	2	PC	SNA
28	6002-001006	SCREW-TAPPING	TH,+,-,2S,M4,L12,PASS,STS4	3	PC	SNA
29	6002-000445	SCREW-TAPPING	TH,+,NO,2,M4,L18,PASS,STS4	2	PC	SNA
30	6002-000213	SCREW-TAPPING	TH,+,1,M4,L12,ZPC(WHT),SWR	1	PC	SNA