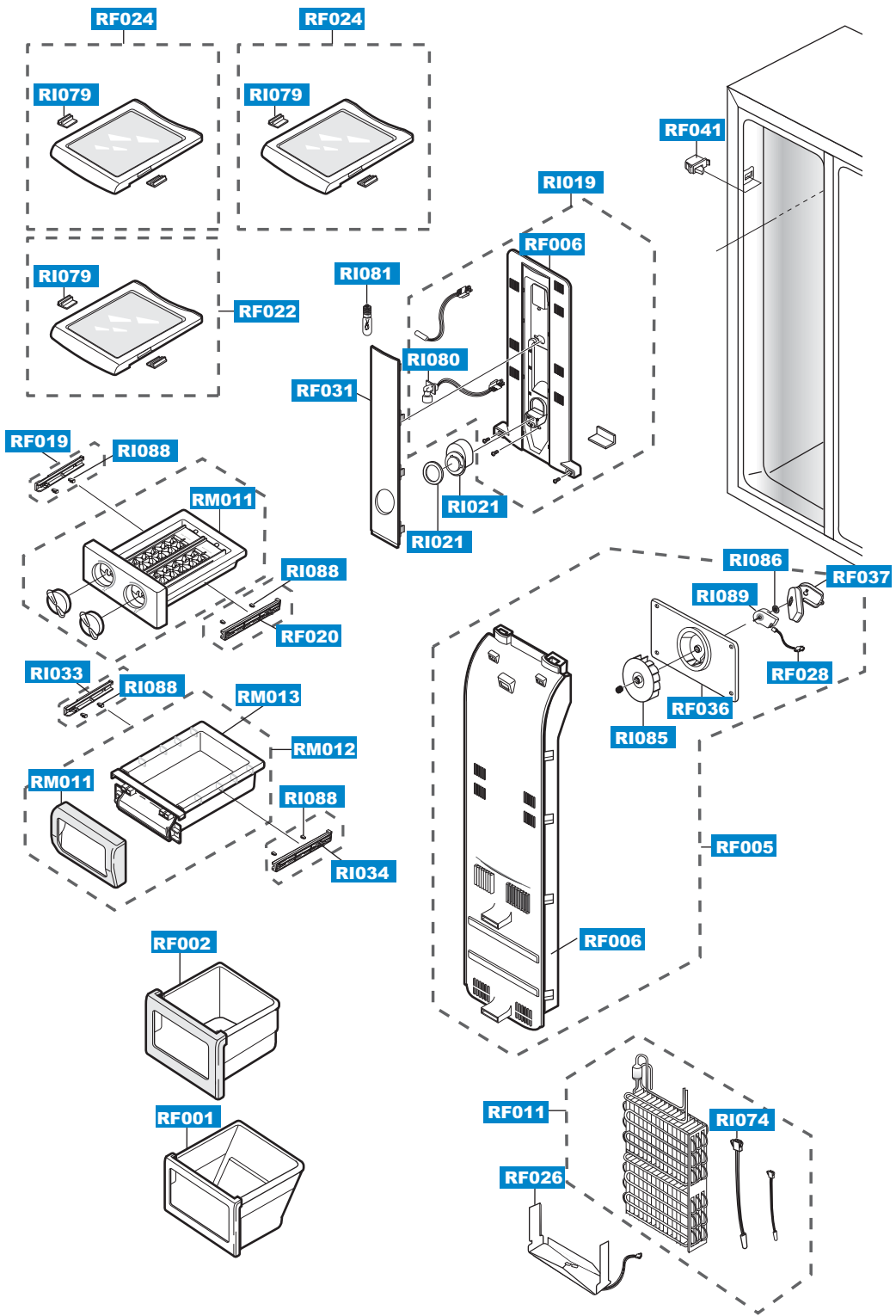
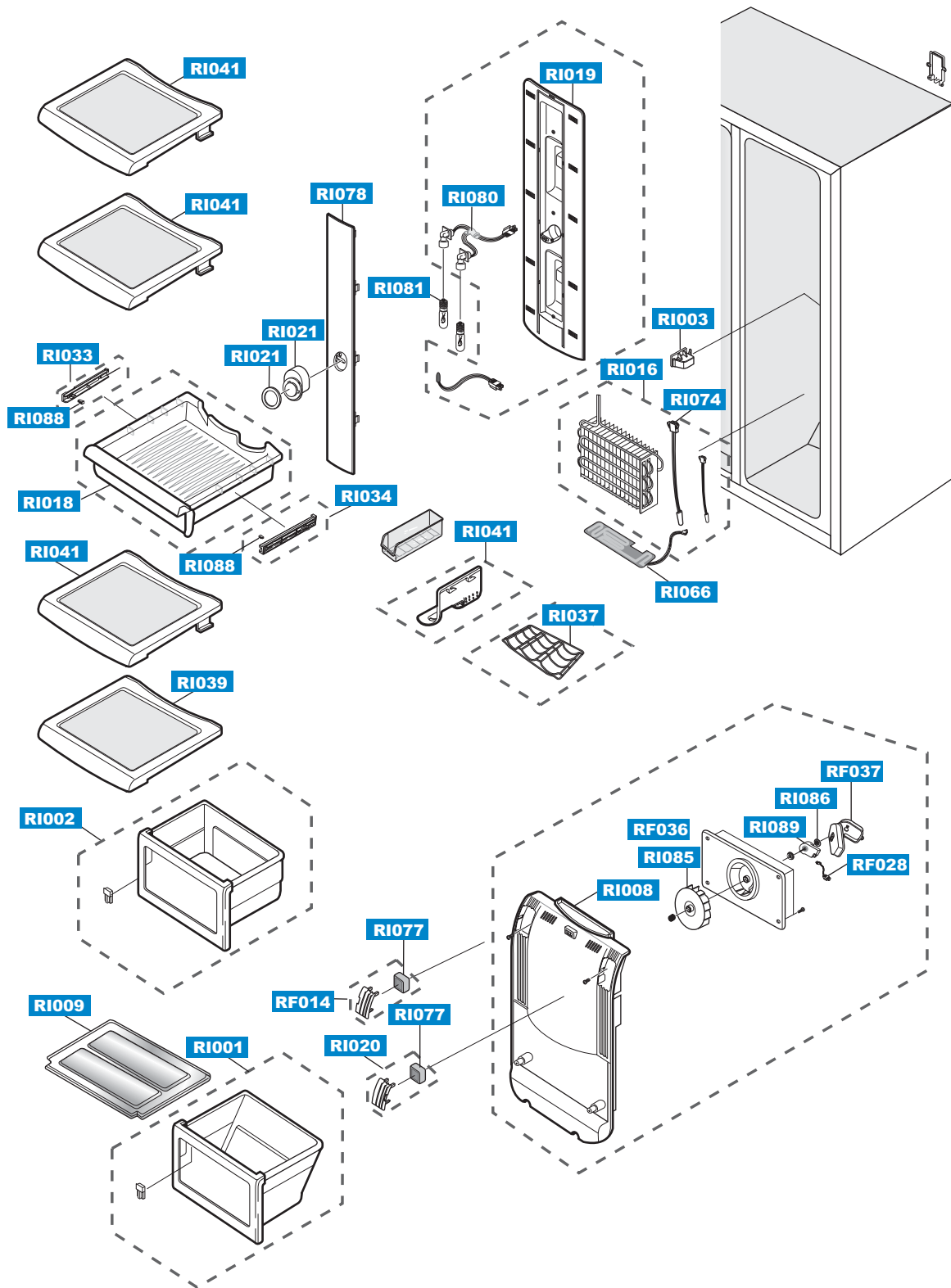


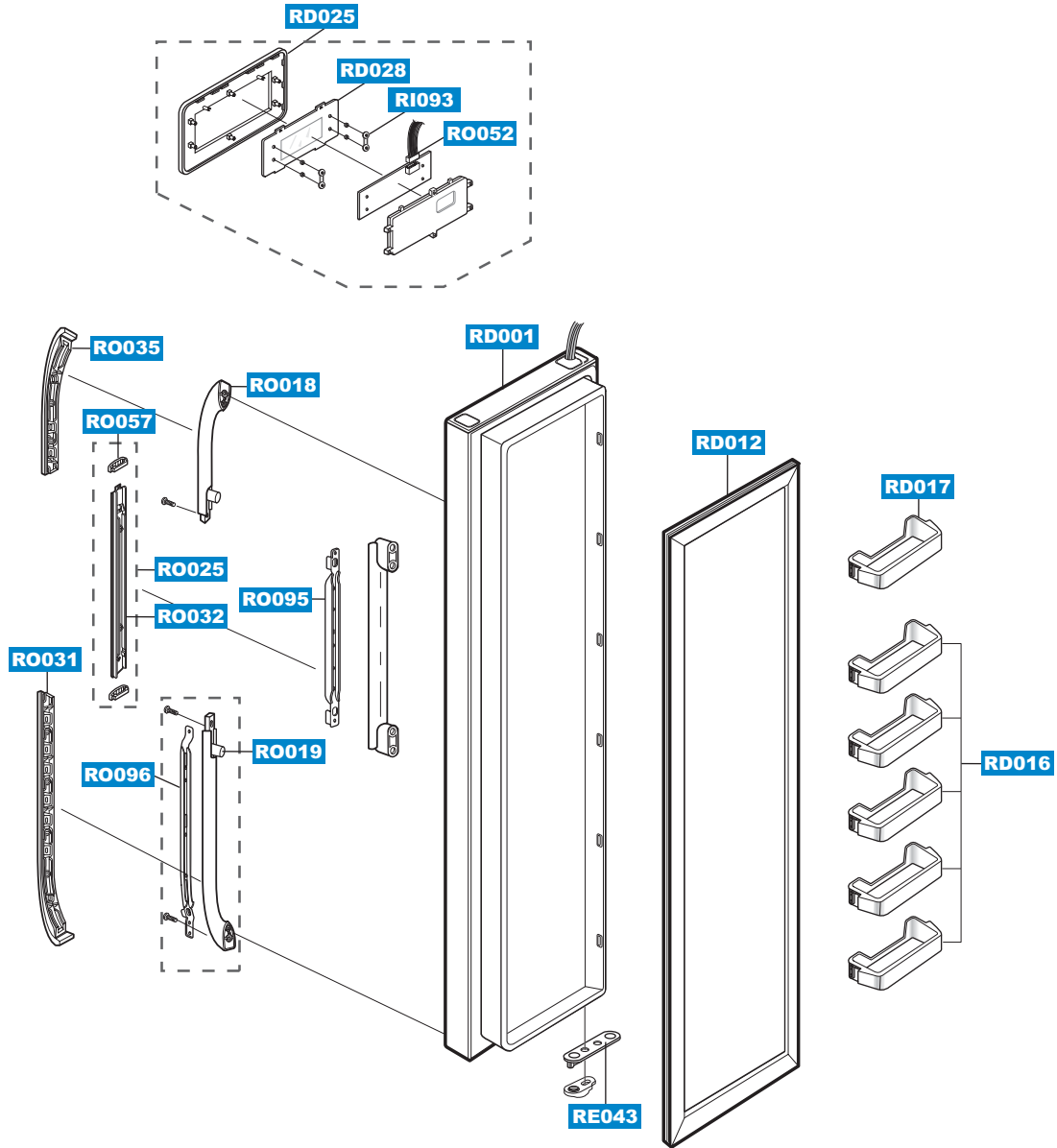
New ET-PJT Basic Freezer Room (RS21N***,RS23N***)



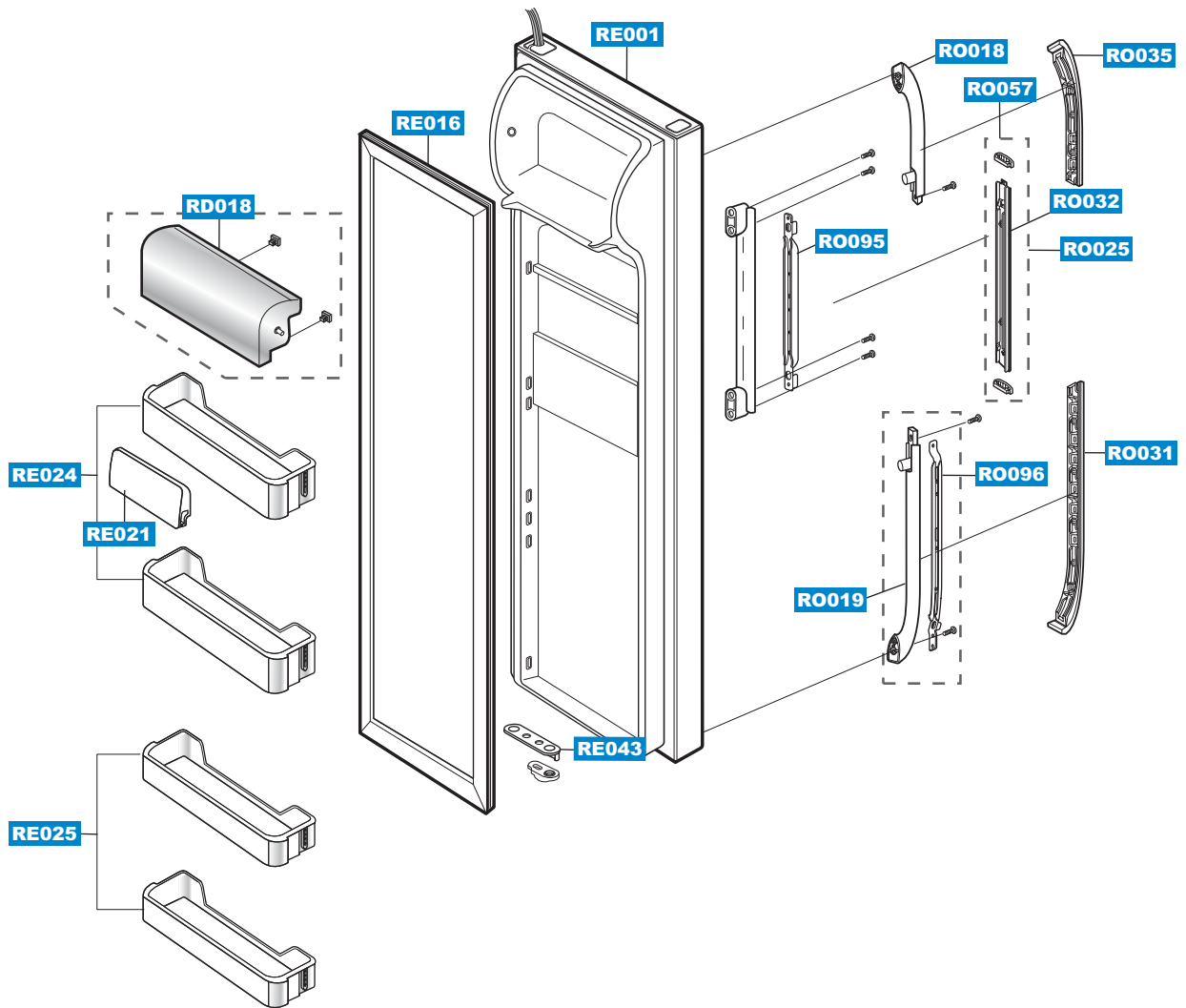
New ET-PJT Basic Refrigerator Room (RS21N***,RS23N***)



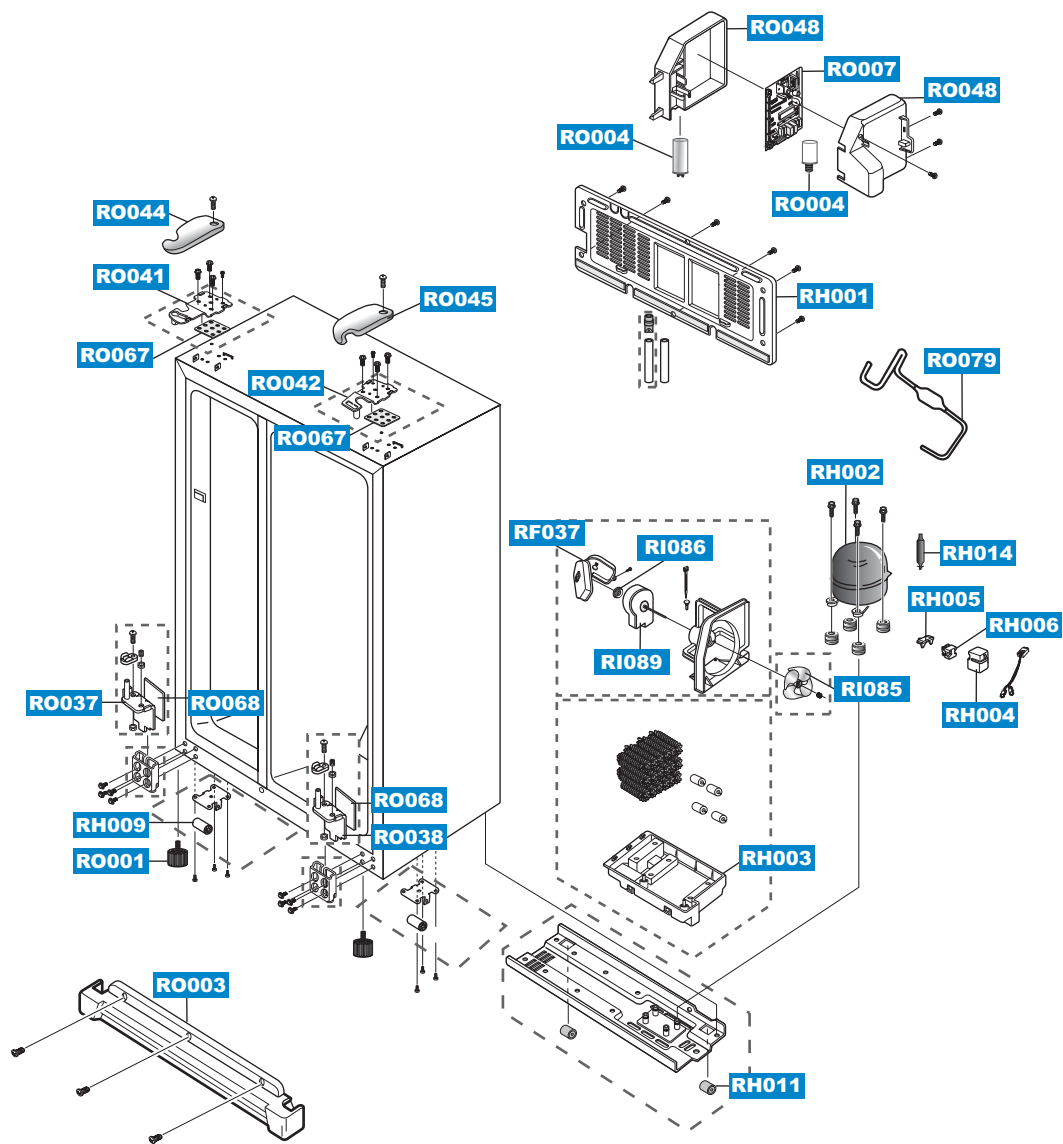
New ET-PJT Basic Freezer Room Door (RS21N***,RS23N***)



New ET-PJT Basic Refrigerator Room Door (RS21N***,RS23N***)



New ET-PJT Unit (RS21N***,RS23N***)



◇Part List

(Model Code : RS21NGRS1/XES)

Location	Part Code	Part Name	Specification	SA/SNA
RD001	DA91-01741B	ASSY DOOR FOAM FRE	ET-PJT(RS21),STAINLES	SA
RD012	DA97-03764E	ASSY-GASKET DOOR,FRE	ET-PJT,SF-PVC,332X1	SA
RD016	DA63-01864H	GUARD FRE-LOW(50)	ET 04,No-silk,Cool-whi	SA
RD017	DA63-01863J	GUARD FRE-UP	ET50MM,HIPP,-,-,-,COOL-WHIT	SA
RD018	DA63-02966A	COVER-GUARD	ET-PJT,GPPS,-,-,-,-,NTR,-	SA
RD025	DA97-00191R	ASSY-COVER CONTROL FRONT	A-TOP,SC-01549,	SA
RD040	DA64-00740B	KNOB-TOUCH	A-TOP,ABS,-,-,-,-,SILVER COAT	SA
RD084	DA97-03504A	ASSY REINF-DOOR LOW FRE	ET05,T2.0,-,-,-,	SA
RD085	DA97-03507C	ASSY REINF-DOOR UPP FRE	ET,T2.0,50mm,-,-	SA
RE001	DA91-01745B	ASSY DOOR FOAM REF	ET-PJT(RS21),STAINLES	SA
RE016	DA97-03764F	ASSY-GASKET DOOR,REF	ET-PJT,SF-PVC,478X1	SA
RE021	DA71-00090A	GUIDE-BOTTLE REF	ET-PJT,PP,T2.5,-,-,-,-	SA
RE024	DA63-00635E	GUARD REF-UP(50)	ET-PJT,EXP,COOL-WHITE,S	SA
RE025	DA63-00590E	GUARD REF-LOW(50)	ET-PJT,PP,EXP,Cool-whi	SA
RE037	DA64-00990A	MASCOT	-,AL,-,-,-,80MM,-,-,-	SA
RE043	DA61-00776A	STOPPER DOOR	N-PJT,SHP1,T3.0,-,-,-,-	SA
RE081	DA97-03505A	ASSY REINF-DOOR LOW REF	ET05,T2.0,-,-,-,	SA
RF001	DA97-00424C	ASSY CASE-BASKET LOW(ET)	ET-PJT,EXP,Cool	SA
RF001	DA61-01784A	CASE-BASKET LOW(ET)	ET-PJT,PP,Cool-white	SA
RF002	DA97-00425C	ASSY CASE-BASKET UP	ET-PJT,Cool-white,EX	SA
RF002	DA61-01785A	CASE-BASKET UP(ET)	ET-PJT,PP,Cool-white,	SA
RF004	DA97-01929A	ASSY TRAY-ICE(ET)	ET-PJT,Basic,Cool-whit	SA
RF005	DA97-02088Q	ASSY COVER EVAP-FRE	ET,BLDC,EXP,-,-,-,-,	SA
RF006	DA63-00153E	COVER-EVAP FRE(FRONT LOW)	ET-PJT,PP,-,-,-,	SA
RF006	DA63-00154B	COVER-EVAP FRE(FRONT UP)	ET-PJT,PP,Cool-	SA
RF011	DA96-00090G	ASSY EVAP-FRE	V2-PJT,HFC-134A,A1100P-H12	SA
RF014	DA63-00163H	COVER-PURIFIER,L	ET-PJT,ABS,-,-,-,-,HG-076	SA
RF019	DA97-01291B	ASSY RAIL-BASKET L(ET)	ET-PJT,Cool-white	SA
RF019	DA61-00044C	RAIL-BASKET L(ET)	ET-PJT,HIPS,-,-,-,-,COOL	SA
RF020	DA97-01292B	ASSY RAIL-BASKET R(ET)	ET-PJT,Cool-white	SA
RF020	DA61-00045C	RAIL-BASKET R(ET)	ET-PJT,HIPS,-,-,-,-,COOL	SA
RF022	DA67-00146B	SHELF-FRE LOW(ET)	ET-PJT,HIPS,Cool-white	SA
RF025	DA47-00092B	HEATER DRAIN-FRE	-,ET-PJT,-,-,-,-,230V,41W	SA
RF026	DA97-00339B	ASSY-PLATE DRAIN,FRE	ET-PJT,230V,41W,-	SA
RF026	DA70-00231A	PLATE-DRAIN,REF	SBHG1,T0.6,-,-,ET-PJT,-,-,-,	SA
RF028	DA39-00060B	WIRE HARNESS-MOTOR	-,,-,-,-,-,F-FAN,-,-	SA
RF028	DA39-00060G	WIRE HARNESS-MOTOR	ZIPEL,-,-,-,-,L650,-,-,-	SA
RF031	DA63-00155A	COVER-LAMP FRE	-,PP,-,-,-,-,-,A	SA
RF036	DA61-00417A	CASE MOTOR	A-TOP,ABS SCRAP,-,-,-,-,WHT,SBS	SA
RF037	DA63-00713A	COVER-MOTOR	OMEGA,PP,-,-,-,-,-,BLDC	SA
RF041	DA34-10120D	SWITCH DOOR-F	-,slide,-,-,-,250V,-,0.5A,-,	SA
RF054	DA97-00101M	ASSY COVER-MULTI FRE(ET)	ET-PJT,Basic,Co	SA
RF083	DA63-01809A	COVER MOTOR-BLDC	BLDC-NEW,PP,NTR,-,-,-,-,-	SA
RF087	DA97-01932E	ASSY SHELF FRE-LOW(ET)	ET-PJT,NON PRINT	SA
RH001	DA63-00278E	COVER COMP-ASSY	A-TOP,SBHG1,T0.35,-,-,-,-,	SA
RH002	MK4A5QR1U/E09	COMPRESSOR	15.31cc,220/240V~50Hz,RSCR	SA
RH003	DA97-01285G	ASSY TRAY-DRAIN WATER	A-TOP,ET,-,-,-,-,-,-	SA
RH003	DA66-00034A	TRAY-DRAIN WATER	-,,-,-,-,-,-,T2.0,-	SA
RH004	DA63-01866A	COVER RELAY	SBS,NORYL,-,-,-,-,-,-,-	SA
RH005	DA34-10003V	RELAY PROTECTOR O/L	4TM265RHBY-53,	SA
RH006	DA35-10013B	RELAY-PTC	J531Q35E330M385-2,385V.6A	SA
RH009	DA61-40115A	CASTER-FRONT	SR-62EA,NY-66,-,-,-,-,ID6 O	SA
RH011	DA61-40126B	CASTER-REAR	REF-ALL,PP,-,-,PI 44,NTR,W22,-	SA
RH012	DA60-90124A	RIVET	-,MSWR10,OD6.0,-,-,-,L56,-,-,-	SA
RH014	DA73-30102F	DRYER-ASSY	A-TOP,CU,φ18.85,-,L107,-,-	SA

◇Part List

(Model Code : RS21NGRS1/XES)

Location	Part Code	Part Name	Specification	SA/SNA
RH019	DA60-90146A	PIN-CASTER	MSWR10,OD6.0,L40,ZPC2,SR-289-	SA
RH022	DA63-40128A	GROMMET-SUB COND	-,NBR,-,-,-,-,-,DARK-	SA
RH031	DA97-00259K	ASSY PIPE-SPIRAL CONDENSER	A-TOP,ET,-	SA
RH031	DA39-00084B	WIRE HARNESS-COMP	-,EXP,-,-,-,COMP,NOT	SA
RH033	DA63-40171B	GROMMET-SUCT PIPE A	-,NBR,OD20,ID4,L20,-	SA
RH034	DA63-40171D	GROMMET-SUCT PIPE B	RAIL L19.5,NR,-,OD20	SA
RI001	DA97-00422C	ASSY CASE-VEG LOW	ET-PJT,Cool-white,EXP,	SA
RI001	DA61-01786A	CASE-VEG LOW(ET)	ET-PJT,PP,Cool-white,SC	SA
RI002	DA97-00423C	ASSY CASE-VEG UP	ET-PJT,Cool-white,EXP,-	SA
RI002	DA61-01787A	CASE-VEG UP(ET)	ET-PJT,PP,Cool-white,SC-	SA
RI003	DA34-10110E	SWITCH DOOR-R	-,Sliding,-,-,250V,-,0.5A,	SA
RI008	DA97-03334G	ASSY COVER EVAP-REF	ET-PJT,-,BLDC,EXP,Si	SA
RI008	DA63-00159E	COVER-EVAP REF(ET)	ET-PJT,PP,-,-,-,SC-02	SA
RI009	DA63-10942C	COVER-VEG LOW(ET)	ET-PJT,HIPS,Cool-white	SA
RI016	DA96-00013N	ASSY EVAP-REF	ET,-,A1100P-H12,-,230V,-,1	SA
RI019	DA97-00102K	ASSY COVER-MULTI REF(ET)	ET-PJT,EXP,Cool	SA
RI020	DA63-00164H	COVER-PURIFIER,R	ET-PJT,ABS,-,-,-,-,CO	SA
RI021	DA63-00162B	COVER SENSOR-B	ET-PJT,ABS,-,-,-,-,PNC2,-	SA
RI033	DA97-01247B	ASSY RAIL-LOW L(ET)	ET-PJT,Cool-white,SC	SA
RI033	DA61-60179B	RAIL-LOW L(ET)	ET-PJT,HIPS,-,-,-,COOL-WH	SA
RI034	DA97-01248B	ASSY RAIL-LOW R(ET)	ET-PJT,Cool-white,SC	SA
RI034	DA61-60180B	RAIL-LOW R(ET)	ET-PJT,HIPS,-,-,-,COOL-WH	SA
RI039	DA67-00148G	SHELF REF-LOW(ET)	ET-PJT,HIPP,-,-,-,SC-0	SA
RI041	DA67-00149D	SHELF REF-UPP(ET)	ET-PJT,HIPP,-,-,-,SC-0	SA
RI066	DA47-00039B	HEATER-DRAIN ASSY,REF	-,ET-PJT EXP,-,-,-	SA
RI066	DA47-00038B	HEATER-DRAIN,REF	-,ET-PJT EXP,-,-,-,240V	SA
RI074	DA47-10148J	THERMO FUSE-ASSY A	V2,ATOP,W2,SW-102T,25	SA
RI077	DA02-00111A	CATALYST	A-TOP(SBS),LTC,-,T10,W41,L41,-	SA
RI078	DA63-00160A	COVER-LAMP REF	-,PP,-,-,-,-,A	SA
RI079	DA64-00090A	TRIM-SHELF	-,HIDP,-,T1.0,-,-,-	SA
RI080	DA47-00025H	LAMP HOLDER	E14,250V,1A,370,NTR,PBT 5VA,	SA
RI080	DA47-40112W	LAMP HOLDER	E14,240V,-,-,-,PVC,V2-PJT,R-	SA
RI081	4713-001189	LAMP-INCANDESCENT	240V,-,30W,-,-,-,25x84	SA
RI085	DA31-00010D	FAN-ASS'Y	-,ET,ZIPEL,ASSY,-,UNIT, ϕ 150	SA
RI087	DA63-40167A	GROMMET-COVER CHIL	T3.0,SILICON,-,-,-,-,	SA
RI088	DA63-00202A	GROMMET-RAIL	-,NY-6,-,-,-,-,-,-	SA
RI089	DA31-00020E	MOTOR DC-BLDC SENSOR	DREP3020LA,ET,0.245	SA
RI089	DA31-00020H	MOTOR DC-BLDC SENSOR	DRCP3030LA,-,0.259A	SA
RI093	DA61-00875A	SUPPORT-KNOB TOUCH,BASIC	A-TOP,SILICON,-	SA
RI098	DA32-00006B	SENSOR ASSY-REF	PX-41C,A TOP,-10C~35C,5V	SA
RI133	DA96-00042A	ASSY-HARNESS MOTOR	A-TOP UL(MOTOR),C-FAN	SA
RI150	DA31-00053A	FAN-BACKWARD	-,A-TOP,ABS,-,FRE	SA
RI152	DA63-00178B	COVER-SENSOR,A	'05E/T-2nd,SAN,T1.5,-,-,-	SA
RM009	DA61-20136A	SPRING ETC-ICE MAKER	SR-53EA,STS304,P110	SA
RM011	DA63-00179B	COVER-TRAY ICE(ET)	ET-PJT,HIPP,Cool-whit	SA
RM011	DA63-02169A	TRAY ICE-(BASIC)	ET-PJT,PP(BJ-500),Cool-	SA
RM012	DA97-01930A	ASSY CASE-ICE CUBE(ET)	ET-PJT,Cool-white	SA
RM013	DA67-00155A	CASE-TRAY ICE	,GPPS,-,-,-,-,-	SA
RM017	DA61-00453A	FIXER-SENSOR	A-TOP,EVAP,PP,-,NTR,ALL	SA
RM017	DA61-00603A	FIXER-SENSOR	N-PJT,PP,-,-,-	SA
RM021	DA64-01264B	TRIM-BLADE	'05E/T,PVC,이중압출,-,-,-,-	SA
RO001	DA61-30102A	FOOT-FRONT	SR-F5670,PP,-,YEL,T0.6,-,ZPC2	SA
RO002	DA97-00555D	ASSY CHASSIS-COMP	A-TOP,ET,-,-,-,-,-	SA
RO003	DA63-01968F	COVER-LEG FRONT	A-TOP(04),PP,Noble-sts,S	SA
RO004	2501-001186	C-OIL	5UF,350V,BK,43X55MM,15	SA

◇Part List

(Model Code : RS21NGRS1/XES)

Location	Part Code	Part Name	Specification	SA/SNA
RO004	DA27-00002A	COIL-NOISE FILTER	4,+50%,-30%,38*50,-,-	SA
RO005	DA39-10115E	CBF-POWER CORD	ET-PJT,-,UCP-2,-,-,-,-,-	SA
RO007	DA41-00195H	PBA MAIN	ET-R600a(04),CABI DOWN,FR-4,T1	SA
RO017	DA64-00575F	HANDLE BAR	ET-PJT,AL,-,-,L1587,-,-,AL(A6	SA
RO037	DA61-01607B	HINGE-LOW FRE	10.5mm,SCP1,T4.5,-,T3.0,-,	SA
RO038	DA61-01608A	HINGE-LOW REF	10.5mm,SCP1,T4.5,-,T3.0,-,	SA
RO041	DA97-02292B	ASSY HINGE UPP-L(ET)	ET-PJT,Trim-kit,EXP	SA
RO041	DA61-01874A	HINGE-UP L(ET)	TRIM-KIT,SHP1,-,T3.0,BLAC	SA
RO042	DA97-02293C	ASSY HINGE UPP-R	ET,-,-,-,-,-	SA
RO044	DA63-02231D	COVER HINGE-UP,L	ET-PJT,ABS,SC-02008R,No	SA
RO045	DA63-02232D	COVER HINGE-UP,R	ET-PJT,ABS,SC-02008R,NO	SA
RO048	DA61-00261A	CASE PCB-PANEL	A-TOP,N-ABS,-,-,-,-,-	SA
RO050	DA63-00783A	COVER PCB-PANEL	A-TOP,N-ABS,-,-,-,-,-	SA
RO052	DA41-00103T	PBA PANEL	A-TOP EXPORT(?,F-DOOR,CEM-1,	SA
RO058	DA67-00796A	CAP-HANDLE LOW	n-PJT,ABS,-,-,-,-,AL-PLAT	SA
RO060	DA61-00264B	SUPPORT-HANDLE MID	A-TOP,ABS,-,-,-,SC-03	SA
RO067	DA63-50192A	SHIM-HINGE UPP	-,RD-PVC,T1.0,-,L360,-,-	SA
RO068	DA63-50207D	SHIM HINGE-LOW	A-TOP,PVC,T1.0,-,-,-,-	SA
RO074	DA97-02211D	ASSY BRACKET-HINGE LOW	ET 50mm,-	SA
RO074	DA61-00317D	BRACKET HINGE-LOW	ET-PJT,SHP1,T2.6,-,-,B	SA
RO079	DA97-00918A	ASSY PIPE CONNECT	A-TOP,SUCTION	SA
RO104	DA66-00343A	CAM-RISER	USP05(ATOP,ET),NY-66(2110R),BL	SA
RO105	DA66-00344A	CAM-HINGE RISER LOW	USP05(ATOP,ET),NY-66	SA
RO106	DA67-00773A	CAP-HANDLE UPP	N-PJT,ABS,-,-,-,-,-	SA
RO108	6001-000715	SCREW-MACHINE	TH,+,-,M5,L16,ZPC(YEL),SWR	SA
RO128	DA61-01875A	HINGE-UP R(ET)	TRIM-KIT,SHP1,-,T3.0,BLAC	SA
RO128	DA61-01875C	HINGE-UPP R	ET-PJT,SHP1,T3.0,-,-,BLK,EXP	SA
RO132	DA97-01283A	ASSY SUPPORT-CIRCUIT MOTOR	A-TOP,ET(DOM)	SA
RO137	DA63-01808A	GROMMET-MOTOR,FRONT	BLDC,NBR,BLACK,-,-,-	SA
RO138	DA63-01146A	GROMMET-MOTOR,REAR	A-TOP,NBR,-,-,-,ID6.5	SA
RO139	DA31-00016A	FAN-CIRCUIT	-,ET-PJT,-,-,-,12,φ95,φ63.	SA
RO140	DA97-00727D	ASSY HANDLE-BAR	A-TOP,A6063,,1587,,LON	SA
RO141	DA61-02657A	CLIP-DRYER	AD,SECC1,T0.4,-,-	SA
RO146	DA97-01760B	ASSY HINGE LOW L	A-TOP,Basic,10.5mm,-,-,	SA
RO147	DA97-01763A	ASSY HINGE LOW R	A-TOP,BASIC,10.5 Gasket	SA
RO147	DA61-01887B	BRACKET-SHIM HINGE LOW	RD-PVC,AD,T1,-,-,	SA
RQ565	DA63-02017A	GROMMET-COMP	QUEEN,EPDM,-,-,-,-,-,-	SA
RQ747	6009-001252	SCREW-SPECIAL	PH,+,-,M4.0,L20(12),ZPC(YE	SA
RS016	DA60-10107A	SCREW MACHINE	-,+,-,M4,L10,PASS,STS304,-	SA
RS071	6002-001351	SCREW-TAPPING	BH,+,-,-,M4,L8,DACRO,SWRCH	SA
RS080	6002-000216	SCREW-TAPPING	TH,+,-,1,M4.0,L20,ZPC(YEL)	SA
RS080	6002-000468	SCREW-TAPPING	PH,+,-,2S,M5.0,L18,ZPC(YEL)	SA
RS080	6002-000470	SCREW-TAPPING	TH,+,-,1,M4,L10,ZPC(YEL),S	SA
RS080	6002-000520	SCREW-TAPPING	TH,+,-,2,M4,L12,ZPC(YEL),SWR	SA
RS080	6002-001341	SCREW-TAPPING	BH,+,-,1,M4,L16,DACRO,SWRC	SA
RS080	6003-001144	SCREW-TAPTITE	BH,+,-,B,M4,L12,ZPC(WHT),S	SA
RS082	6003-001435	SCREW-TAPTITE	HWH,+,-,S,M5,L12.7,ZPC(YEL),	SA
RS131	DA32-10105H	SENSOR-ASSY	502AT,K-PJT,-10~35,5V,5KOHM,	SA
RT058	DA80-00002B	SPANNER-WRENCH	A-TOP,SM45C,3.95,-,Ni,70,	SA
RT109	DA97-03506C	ASSY REINF-DOOR MID	A-TOP, ET,T2.0,-,-,-	SA
RW057	DA61-00831A	BASE-CAP HANDLE	N-PJT,ABS,-,-,-,N.T.R,-	SA
RW074	DA60-20008A	BOLT-HEX	-,S25C,-,L42.6,-,-,-,-,-	SA
RW077	6011-001442	BOLT-SOCKET	M8,L15,ZPC(BLK),SCM435,-	SA
RW243	DA63-00970A	COVER PCB-REAR	A-TOP,ABS,-,-,-,-,-,BAS	SA
RW389	DA63-00951C	GROMMET-DRAIN HOSE	V2-PJT,NBR,-,-,-,-,-	SA

◇Part List

(Model Code : RS21NGRS1/XES)

Location	Part Code	Part Name	Specification	SA/SNA
RW395	DA63-00789A	GROMMET-FIXER HANDLE	EXP,PC-ABS,-,-,-,-,	SA
RW520	DA64-00085B	KNOB-MOISTURE CONTROL(ET)	ET-PJT,HIPS,Co	SA
RW522	DA64-00084B	KNOB-TRAY ICE	ET-PJT,HIPS,Cool-white,SC-	SA
RW555	6021-001125	NUT-HEXAGON	3,M8, P1.25,ZPC(BLK),SWRCH10	SA
RW606	DA61-00549A	PLATE-FAN MOTOR,ASSY	ET-PJT,HIPS,T1.0,W2	SA
RW633	DA71-00149B	REINF-COVER,MULTI	ET-PJT,GAVALUME,T0.4,-	SA
RW654	DA73-00216A	RUBBER-COVER GUARD	ET-PJT,SILICON,-,WHIT	SA
RW664	6009-001255	SCREW-HEX	SWRCH18A,-,HEX-PLANGE,HEX,M6,L	SA
RW664	DA60-10004A	SCREW-HEX	HH,+,-,-,M6,L16,ZPC(YEL),SWRCH	SA
RW688	DA67-00147B	SHELF-FRE UP(ET)	ET-PJT,HIPS,Cool-white,	SA
RW747	DA61-00415A	SUPPORT-CIRCUITE MOTOR	A-TOP,ABS SCRAP,-	SA
RW829	DA67-40250E	TRAY-UTILITY	SR-S7185.7335,GPPS,-,-,-,-,	SA
RW934	DA39-20389H	WIRE HARNESS-EARTH	EARTH,UL AWG18,RING-T	SA
RW942	DA39-00210B	WIRE HARNESS-MAIN-B	ATOP,INSULATION WIRE	SA
RZ020	DA73-10190V	PIPE-CONNECT DISC,A	TD-PJT,C1220T 1/2H,-	SA
	DA97-00904C	ASSY COVER-GUARD	ET-PJT,50mm,-,-,-,-,-	SA
	DA97-03509C	ASSY REINF-DOOR UPP REF	ET,T2.0,50mm,-,-	SA
	DA97-01931C	ASSY SHELF FRE-UPP(ET)	ET-PJT,NON PRINT	SA
	DA97-04045A	ASSY TUBE-DRAIN	ET-PJT,SOFT-PVC	SA
	DA63-00174D	COVER-FRONT FRE,B	ET-PJT,GPPS,-,-,-,-,-,	SA
	DA61-00528T	PLATE-DOOR FRE	ET-PJT(RS21),SUS,T0.6,491	SA
	DA61-01335P	PLATE-DOOR REF	ET-PJT(RS21),SUS,T0.6,637	SA
	DA70-00215D	PLATE-INS DUCT	PP,ET-PJT,L76,-,-,-,-	SA
	0103-002697	RESIN-ABS	QU-0191,COOL WHITE,W91527,-	SA
	DA62-00717L	SEAL CUTT-OJC	OJC-3000,ET,-,T5,W15,L50,-	SA
	DA66-00349A	SHAFT-HINGE	USP-PJT,A-TOP,SCP1,Ø14.4,ST	SA