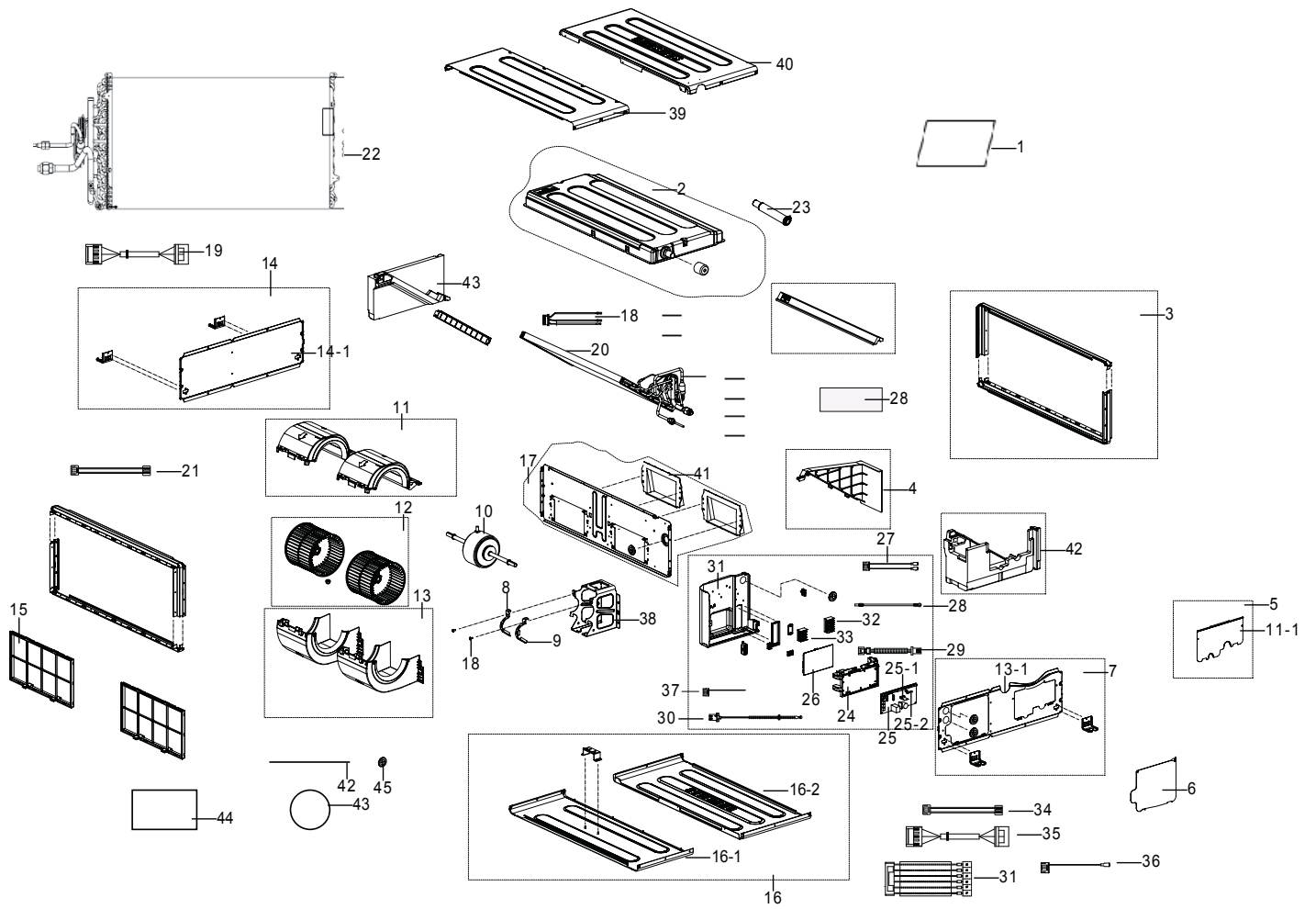


# Indoor Unit

## ■ AC052MNMDKH



## Parts List(AC052MNMDKH )

No.	Code No.	Description	Specification	Q'TY	SA/SA
1	DB90-08487A	ASSY COVER-DRAIN	Global Duct	1	SA
2	DB94-04349A	ASSY DRAIN-PAN	Global Duct,SSEC	1	SA
3	DB90-07910A	ASSY CABINET-FRAME	Global Duct,SSEC	2	SA
4	DB90-08063B	ASSY SUPPORT-EVAP	global duct,GD1&2,ASSY	1	SA
5	DB90-07905A	ASSY COVER-PIPE	Global Duct,SSEC	1	SA
6	DB63-03544A	COVER CONTROL	Global Duct,GI-SGCC,T0.8,-	1	SA
7	DB90-07904A	ASSY CABI SIDE-RIGHT	Global Duct,SSEC	1	SA
8	DB61-05983A	HOLDER-MOTOR	GLOBAL DUCT,GI-SGCC,L155,-,	1	SA
9	DB61-05984A	HOLDER-MOTOR	GLOBAL DUCT,GI-SGCC,L155,-,	1	SA
10	DB31-00639B	MOTOR BLDC FAN	SIC-70CW-F1153-2S,310V,15	1	SA
11	DB90-07916A	ASSY CASE FAN-BOTTOM	Global Duct,SSEC	2	SA
12	DB94-04138A	ASSY BLOWER	AC-F410G,180PI	2	SA
13	DB90-07917A	ASSY CASE FAN-TOP	Global Duct,SSEC	2	SA
13-1	DB60-20011A	BOLT-SPECIAL	L10,M6	2	SA
14	DB90-07903B	ASSY CABI SIDE-LEFT	Global Duct,SSEC	1	SA
14-1	DB64-03034A	CABINET SIDE-LEFT	Global Duct,GI-SGCC,T0	1	SNA
15	DB61-05988A	CASE FILTER-PRE	GLOBAL DUCT,ABS,-,BLACK	2	SA
16	DB90-07908A	ASSY CABI TOP	Global Duct,SSEC	1	SA
16-1	DB64-03018A	CABINET-TOP FAN	GLOBAL DUCT,GI-SGCC,T0.6	1	SNA
16-2	DB64-03026A	CABINET-TOP EVAP	GLOBAL DUCT,GI-SGCC,T0.	1	SNA
17	DB94-04345A	ASSY PARTITION	Global Duct,SSEC	1	SA
18	DB95-05011A	ASSY THERMISTOR IN-EVA IN OUT	10Kohm±3%,	1	SA
19	DB39-01317B	CONNECT WIRE-DISP	10,BLK,SMH200-10H/WHT,	1	SA
20	1404-001581	THERMISTOR-PTC	250ohm,25%,265Vac,2.7A,TP	1	SA
21	DB93-16171A	ASSY CONNECTOR WIRE-COMM	2,2095,24,RED,S	1	SA
22	DB96-23011B	ASSY EVAP-MAIN	AC052MNMDKH/EU,ASSY	1	SA
23	DB94-03287A	ASSY DRAIN-HOSE JOINT	CH140EAMC,SSEC	1	SA
24	DB61-05992A	CASE PCB	ABS,T2.0,-,V0,VE-0856	1	SA
25	DB92-03028D	ASSY PCB MAIN	MAIN,CAC BIG DUCT,190*90,Y	1	SA
25-1	DB92-02793A	ASSY FUNCTION	COMM,DVM NASA_CST,Y	1	SA
25-2	DB93-12483A	ASSY PCB SUB-EEPROM	SUB,DVMPPLUS4 UP,20*2	1	SA
26	DB92-04019A	ASSY PCB SUB	SUB,Global Duct,165*99,Y,22	1	SA
27	DB93-10809C	ASSY CONNECTOR WIRE-POWER	2,1015,18,BRN,	1	SA
28	DB93-14372A	ASSY CONNECTOR WIRE-MOTOR	3,1007,22,RED,	1	SA
29	DB93-11422C	ASSY CONNECTOR WIRE	2,1015,18,BRN,YH396-	1	SA
30	DB39-01108A	CONNECT WIRE-VENTILATOR&WATER HEATER	2,R	1	SA
31	DB61-05976A	CASE CONTROL	Global Duct,GI-SGCC,T0.7,-,	1	SA
32	DB65-00105M	TERMINAL BLOCK	MINI-DVM,PBT,1.5mm^2,58.4	1	SA
33	DB65-00326F	TERMINAL BLOCK	4P,PBT,BLK,1(L), 2(N), 1,	1	SA
34	DB93-13147C	ASSY CONNECTOR WIRE-EARTH	1,1015,18,YEL/	1	SA
35	DB93-13688B	ASSY CONNECTOR WIRE-DC SIGNAL	2,1007,24,	1	SA
36	DB93-14029C	ASSY CONNECTOR WIRE-DC SIGNAL	6,1007,22,	1	SA
37	DB95-05009D	ASSY THEMISTOR	10Kohm±3%,103HW,7P,350,UL	1	SA
38	DB61-05970A	BRACKET MOTOR	Global Duct,GI-SGCC,T1.8,-	1	SA
39	DB64-03019A	CABINET-BOTTOM FAN	GLOBAL DUCT,GI-SGCC,T	1	SA
40	DB90-08304A	ASSY CABI BOTTOM-COND	AC052HBHFKH/SA,GLO	1	SA
41	DB61-05904A	CASE BLOWER-OUT	HIPS,T2.5,BLACK,-,PH-88,	2	SA
42	DB81-00635A	SPRING ETC-SENSOR	DVM-SYSTEM,STS304,R2.5	2	SA
43	DB60-30010C	FLARE	BRASS	1	SA
44	DB97-19364B	ASSY ACCESSORY-DUCT	SLIM DUCT 3,SSEC	1	SA
45	DB60-30010A	FLARE	BRASS	1	SA