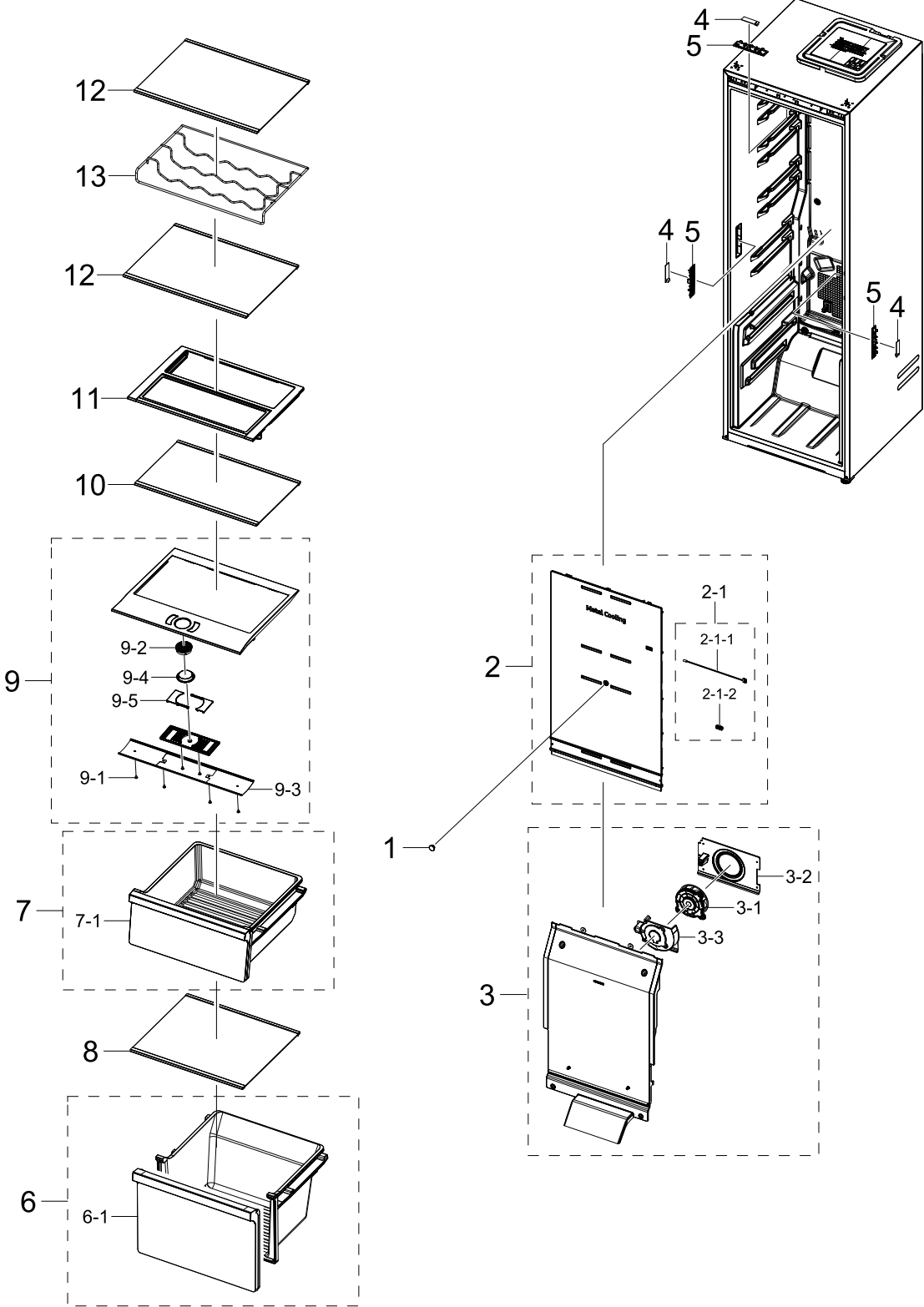


# 1. REFRIGERATOR

## REFRIGERATOR

### Exploded View



## Parts List

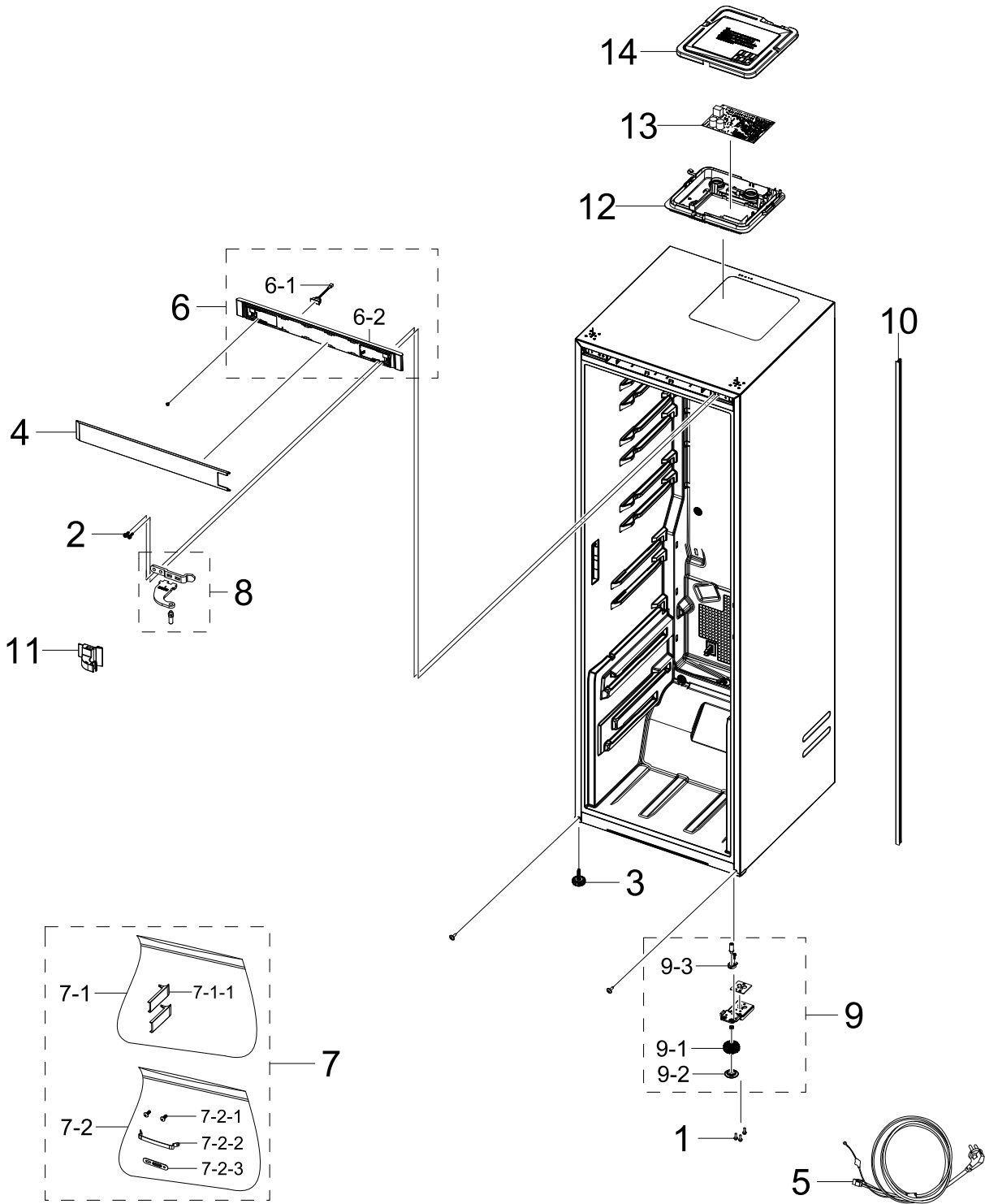
No.	Lvl.	Loc.	Material Code	Description & Specification	SNA	Qty.
1	2	A0270	DA67-30266K	CAP SCREW; A-TOP,PP,T1.5,HB,BJ750,COOL WH	SA	1
2	2	G0239	DA97-23195A	ASSY COVER MULTI-REF; RR7000 SEPM,COOL WH	SA	1
2-1	3	G0239	DA97-23419B	ASSY COVER MULTI-REF; RR7000M,PP,COOL WHI	SNA	1
2-1-1	4	A1018	DA32-00070C	SENSOR TEMP; SC41200-021A,L250,13.2kohm,2	SA	1
2-1-2	4		DA63-07761A	GROMMET FIXER; RF-H920G,RUBBER,BLACK	SA	1
3	2	Z1177	DA97-23197A	ASSY COVER EVAP-REF; RR7000 SEPM,COOL WHI	SA	1
3-1	3		DA31-00334D	MOTOR BLDC FAN; 12035GE-12M-YT,1775 7%,1	SA	1
3-2	3		DA61-15272A	CASE MOTOR-FRE; RR7000 SEPM,ABS,T2,BLACK,	SA	1
3-3	3		DA61-11356B	GUIDE AIR-REF; RR7000M,ABS,-,HB,CNTK A-20	SA	1
4	2	G0090	DA41-00519R	ASSY LAMP LED; 3ea,CEM-1,65*10*1.6T,WHITE	SA	3
5	2	A0280	DA63-11613A	COVER LAMP; RR7000,SBC,T2,HB,NATURAL,-,KR	SA	3
6	2	M0300	DA97-17508F	ASSY CASE VEG-LOW; RR7000,Hot Stamping	SA	1
6-1	3		DA97-17817E	ASSY COVER VEG-LOW; RR7000,Printing, Hot	SA	1
7	2		DA97-17509H	ASSY CASE VEG-UP; RR7000,Hot Stamping	SA	1
7-1	3		DA97-17816G	ASSY COVER VEG-UP; RR7000,Printing, Hot S	SA	1
8	2		DA97-17522D	ASSY SHELF-REF LOW; RR7000M,SEPM SPONGE S	SA	1
9	2		DA97-17680B	ASSY SHELF VEG-LOW; RR7000M,KNOB OPTION	SA	1
9-1	3	G0412	6002-000239	SCREW-TAPPING; SWRCH18A,ZPC(WHT),L8,M4,TH	SNA	4
9-2	3		DA67-04351A	SHELF-A; RR7000M,GPPS,TP BLUE,-,147F	SNA	1
9-3	3		DA67-04352A	SHELF-BOTTOM; RR7000M,ABS,CHROME SILVER	SNA	1
9-4	3		DA67-04353A	SHELF-B; RR7000M,ABS,CHROME SILVER	SNA	1
9-5	3		DA67-04354C	CAP SHELF; RR7000M,HIPS,-,-,S834S1,COOL W	SNA	2
10	2	A0186	DA97-17521D	ASSY SHELF-REF; RR7000M,SEPM SPONGE SPEC,	SA	1
11	2		DA97-17684D	ASSY SHELF FOLDER-REF; RR7000M,SILVER, TA	SA	1

No.	Lvl.	Loc.	Material Code	Description & Specification	SNA	Qty.
12	2	A1130	DA97-17517G	ASSY SHELF-UP; RR7000M,SEPM SPONGE SPEC,	SA	2
13	2		DA67-05477A	RACK WINE; RR7000,-,MSWR70,-,W488.5,L296,	SA	1

# 2. CABINET

## CABINET

### Exploded View



## Parts List

No.	Lvl.	Loc.	Material Code	Description & Specification	SNA	Qty.
1	2	A0564	6011-008075	BOLT-HEX; M5(P0.8),L20,ZPC(WHT),HWH,+,SWR	SA	3
2	2	A0564	6011-001546	BOLT-HEX; M5(P0.8),L16,ZPC(WHT),HWH,+,SWR	SA	2
3	2	Z1128	DA61-07546B	LEG-FRONT; GRAND CRU,PP,BLACK,-,P-002HB,R	SA	1
4	2		DA63-08660C	COVER FRAME-TOP FRONT; RR7000M,ABS,HB,EBO	SA	1
5	2	A0273	3903-001015	POWER CORD-AT; H05VV-F 3x0.75mm2,BLK,EU3F	SA	1
6	2	A0904	DA97-23163C	ASSY COVER CONTROL-FRONT; RR7000M,I BLACK	SA	1
6-1	3		DA34-00043J	SWITCH REED; UL1007 AWG 22,50mm	SA	1
6-2	3		DA63-11664C	COVER CONTROL-FRONT; RR7000M,ABS,-,HB,EBO	SA	1
7	2		DA91-06240H	ASSY INSTALL-PARTS KIT; HONED BLACK,Left,	SNA	1
7-1	3		DA91-06241H	ASSY INSTALL-REVERSIBLE KIT; SPRAY, HONED	SA	1
7-1-1	4		DA63-08662D	COVER SLIDER HANDLE; RR7000M,ABS,CREAMY S	SA	2
7-2	3		DA99-04217A	ASSY INSTALL-PAIR KIT; RR7000M,GLOBAL	SA	1
7-2-1	4	G0412	6002-000613	SCREW-TAPPING; TH,+,-,2,M5,L16,ZPC(WHT),S	SNA	2
7-2-2	4		DA61-10671A	REINF LEG-BOTTOM; BK,CR-SPCC,T1.2,PAIR IN	SA	1
7-2-3	4		DA61-10679A	FIXER LOCKER; BK,CR-SPCC,T1,PAIR INSTALL	SNA	1
8	2		DA97-17372A	ASSY HINGE-UP; RR39M7*,T4.0,BLACK	SA	1
9	2	M0344	DA97-17371A	ASSY HINGE-LOW RIGHT; RR7000M,T4.0,BLACK	SA	1
9-1	3	A0577	DA61-07972B	FOOT-FRONT; POLARIS,PP,BLACK,-,P-002HB,IN	SA	1
9-2	3	A0863	DA61-07973B	FOOT; POLARIS,PP,BLACK,-,P-002HB,PP_S	SA	1
9-3	3	M0266	DA66-00401A	CAM-RISER; SAPPHIRE-PJT,PA66,BLACK,KN3311	SNA	1
10	2		DA61-10672F	FIXER; RR7000M,ABS,-,LIGHT GRAY,-,HG-0760	SA	1
11	2		DA63-08658F	COVER WIRE-HINGE RIGHT; RR7000M,ABS,-,HB,	SA	1
12	2		DA97-21247A	ASSY CASE PBA; RB7300T,T2.3,INOX GRAY,PP,	SNA	1

Exploded Views and Parts List

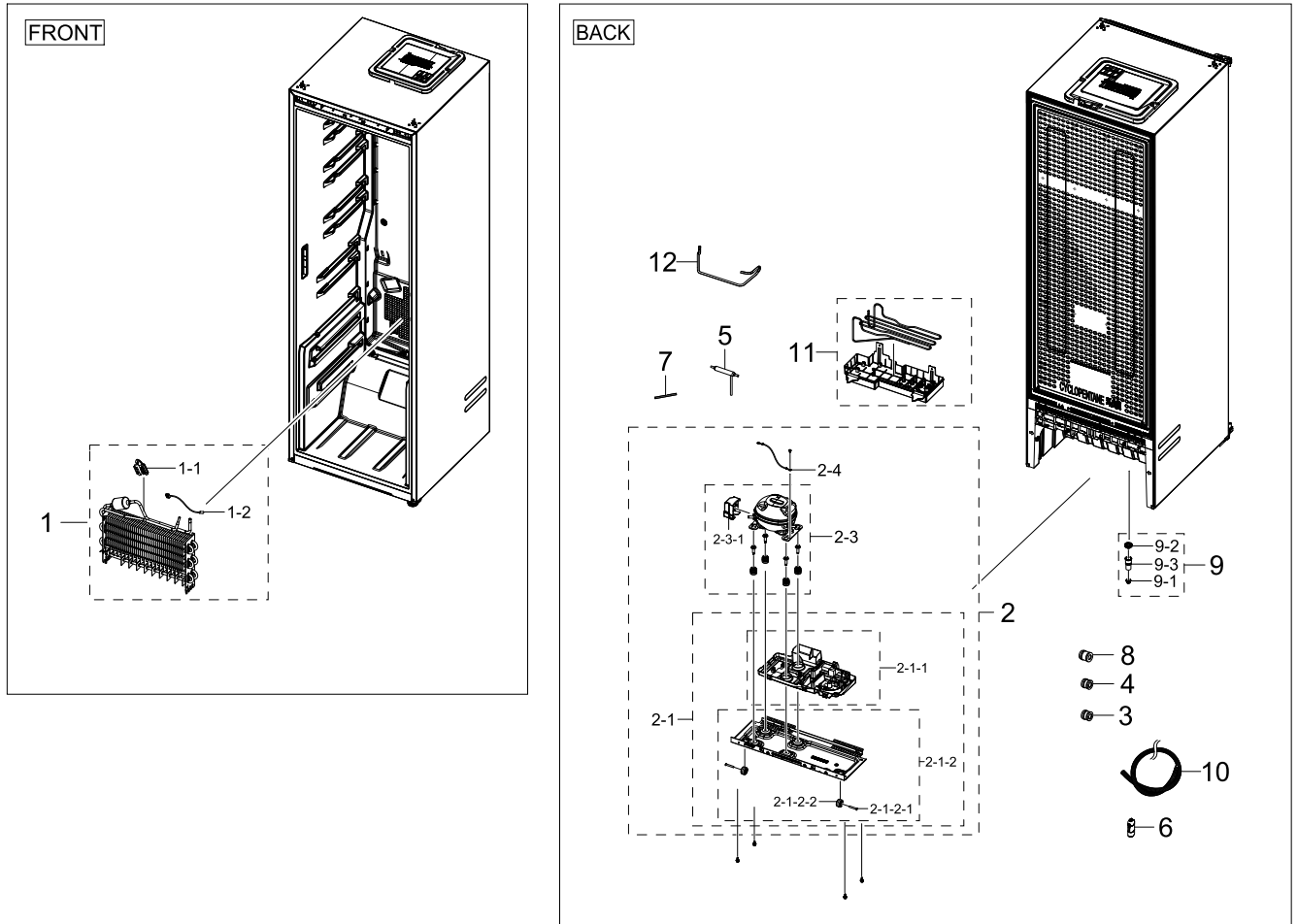
---

No.	Lvl.	Loc.	Material Code	Description & Specification	SNA	Qty.
13	1		DA94-06511J	ASSY PCB EEPROM; 0x0B,DA92-01296P,D602,D6	SA	1
14	2		DA97-21372B	ASSY COVER PBA-MAIN; RR7000M,GI-SGCC,T0.4	SA	1

# 3. CYCLE

## CYCLE

### Exploded View



### Parts List

No.	Lvl.	Loc.	Material Code	Description & Specification	SNA	Qty.
1	2	A0184	DA96-01212A	ASSY EVAP-REF; RR7000M,FIN TUBE,Alumite	SA	1
1-1	3	T0066	DA61-00603A	FIXER SENSOR; All model,PP,T2,BLACK,-,TYP	SNA	1
1-2	3	A1018	DA32-00070G	SENSOR TEMP; SC41198-021A, PVC TUBE 200mm	SA	1
2	2		DA97-23328B	ASSY COMP N CONDENSING-COND MODULE; RR700	SNA	1
2-1	3		DA97-23327A	ASSY CHASSIS-SUB; RR7000M SEPM,REF, NO C-	SNA	1
2-1-1	4		DA97-21381A	ASSY TRAY DRAIN WATER-SUB; RB7300T	SA	1
2-1-2	4	A0526	DA97-23291A	ASSY CHASSIS COMP; RR7000M,GI-SGCC,T0.8	SA	1

## Exploded Views and Parts List

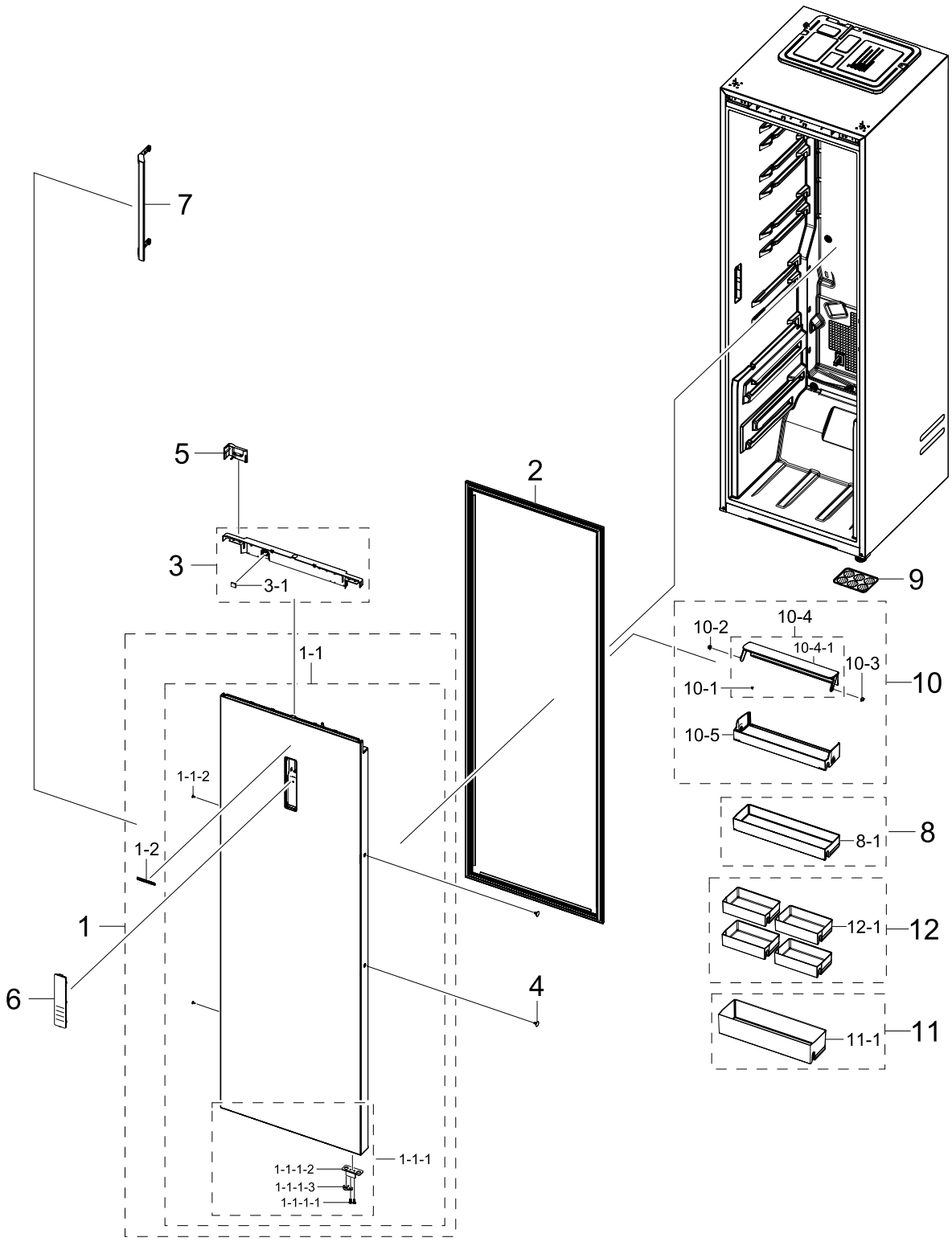
No.	Lvl.	Loc.	Material Code	Description & Specification	SNA	Qty.
2-1-2-1	5	A0861	DA60-90146A	PIN-CASTER; SR-289-429,MSWR10,L38	SNA	2
2-1-2-2	5	A0527	DA61-06202A	CASTER-REAR; GRAND-CRU,PP,NATURAL	SA	2
2-3	3		NN35J9602APTT5	CMP,COMP,REFRIGERATOR,R-600A; CMP,COMP,REFRIGERATOR,R-600A		1
2-3-1	4	Z1032	DA63-09845A	COVER RELAY; RB7300T,MPPE,T2,V-0,BLACK,N3	SA	1
2-4	3	A0562	DA39-20389A	ASSY WIRE HARNESS-EARTH; EARTH,ALL,FREE V	SA	1
3	2		DA60-00281A	FITTING LOCK SLEEVE; SUM23,ID5.02,11SMnPb	SA	1
4	2		DA60-00280A	FITTING-LOKRING 33; SUM23,ID3/16,33, 11SM	SA	1
5	2	A0669	DA62-04309C	DRYER; C1220T-H,L118,SINGLE MOUTH,For Cap	SA	1
6	2		DA63-08943A	GROMMET; BRR9000M,NBR,CAPI GROMMET	SA	1
7	2	A0523	DA73-10190U	PIPE-CONNECT DISC,B; ALL,C1220T,Cu,OD6.35	SA	1
8	2		DA60-00279A	FITTING LOCK RING; SUM23,-,SILVER,-,16,	SA	1
9	2		DA97-18856A	ASSY CAP DRAIN; RQ9500M	SA	1
9-1	3	A0336	DA61-05021A	FIXER-DRAIN; HAEMIL,PP,T0.6,CARMEN WINE,B	SA	1
9-2	3		DA63-02761A	GROMMET-DRAIN; RS18RK,NBR,BLACK	SA	1
9-3	3	A0492	DA67-01301A	CAP-DRAIN; AW4,HIPS,HB,576H,NATURAL	SA	1
10	2	G0415	DA67-04495B	HOSE DRAIN; RR7000M,HDPE,NATURAL,-,YR5100	SA	1
11	2	A0529	DA97-18932C	ASSY TRAY DRAIN WATER; RR7000M,SEPM Plant	SA	1
12	2		DA62-05907A	PIPE CONNECT-SUCTION; RR7000M,Cu,OD6.35,T	SNA	1



# 4. ASSY DOOR

ASSY DOOR

Exploded View



## Parts List

No.	Lvl.	Loc.	Material Code	Description & Specification	SNA	Qty.
1	2	A0052	DA94-06550J	ASSY DOOR FOAM REF; RR7000 SEPM,BLACK DOI	SA	1
1-1	3		DA97-23207C	ASSY PLATE DOOR-REF; RR7000M,BLACK DOI,NO	SNA	1
1-1-1	4		DA97-23205A	ASSY CAP DOOR-LOW; RR7000 SEPM,ABS,BLACK,	SNA	1
1-1-1-1	5	G0412	6002-000613	SCREW-TAPPING; TH,+,-,2,M5,L16,ZPC(WHT),S	SNA	2
1-1-1-2	5	A0640	DA61-11383A	STOPPER DOOR; RR7000M,PO-SPHC,T3,-,-,T3	SA	1
1-1-1-3	5	M0389	DA66-00344A	CAM-HINGE RISER LOW; USP05(ATOP,ET),PA66,	SC	1
1-1-2	4	A0848	DA81-01532A	SCREW-MACHINE; BH,+M5,L12.7,ZPC(WHT),SWR	SA	2
1-2	3	M0196	DA64-04020C	MASCOT; ALL,Ni,T0.06,L80	SA	1
2	2		DA97-23090E	ASSY GASKET; RR7000,REF, DARK GRAY, BeSpo	SA	1
3	2		DA97-23193C	ASSY COVER WIRE DOOR; RR7000,EBONY BLACK	SA	1
3-1	3	A0534	DA61-03769B	MAGNET; SVETA,FERRITE,1600Gauss	SA	1
4	2		DA67-04025F	CAP SCREW; RR7000M,ABS,-,HB,HG-0760GP,EBO	SA	2
5	2		DA67-04367F	CAP SPACE-DOOR LEFT; RR7000M,ABS,-,HB,HG-	SA	1
6	2	A0626	DA97-17284C	ASSY COVER CONTROL; RR7000M,REF, BLACK	SA	1
7	2	A0553	DA97-23525D	ASSY HANDLE; RR7000M,HONED BLACK, EASY	SA	1
8	2		DA97-17682E	ASSY GUARD-REF UP; RR7000M,NO WRAP VINYL,	SA	1
8-1	3	M0447	DA63-08678B	GUARD-REF UP; RR7000,GPPS,T3,TP BLUE,-,HB	SA	1
9	2	A0656	DA63-07346A	TRAY EGG; 3050,GPPS,-,HB,TP BLUE,-,HH104,	SA	1
10	2	A0636	DA97-15479G	ASSY GUARD DAIRY; RR7000M,NO WRAP VINYL,	SA	1
10-1	3		DA63-07538A	GROMMET-A; MOUTON12,Si,COOL WHITE,NAME TA	SA	2
10-2	3		DA67-02920A	CAP-HINGE DAIRY R; HERMES,POM,K300,NATURA	SA	1
10-3	3		DA67-02921A	CAP-HINGE DAIRY L; HERMES,POM,K300,NATURA	SA	1
10-4	3	A0636	DA97-15726C	ASSY GUARD DAIRY; RR7000,HOT STAMPING	SA	1
10-4-1	4		DA63-08045D	COVER DAIRY; RR7000,GPPS,T3,HB,TP BLUE,-,	SA	1

No.	Lvl.	Loc.	Material Code	Description & Specification	SNA	Qty.
10-5	3	A0155	DA63-08044C	GUARD-DAIRY; RR7000,GPPS,T3,TP BLUE,-,HB,	SA	1
11	2	A0167	DA97-15481F	ASSY GUARD BOTTLE; RR7000M,NO WRAP VINYL,	SA	1
11-1	3	A0151	DA63-08039D	GUARD BOTTLE; RR7000,GPPS,T3,TP BLUE,-,HB	SA	1
12	2		DA97-15480F	ASSY GUARD VARIETY; RR7000M,NO WRAP VINYL	SNA	4
12-1	3	A0153	DA63-08038A	GUARD VARIETY; RB7000,GPPS,T3,TP BLUE	SA	4