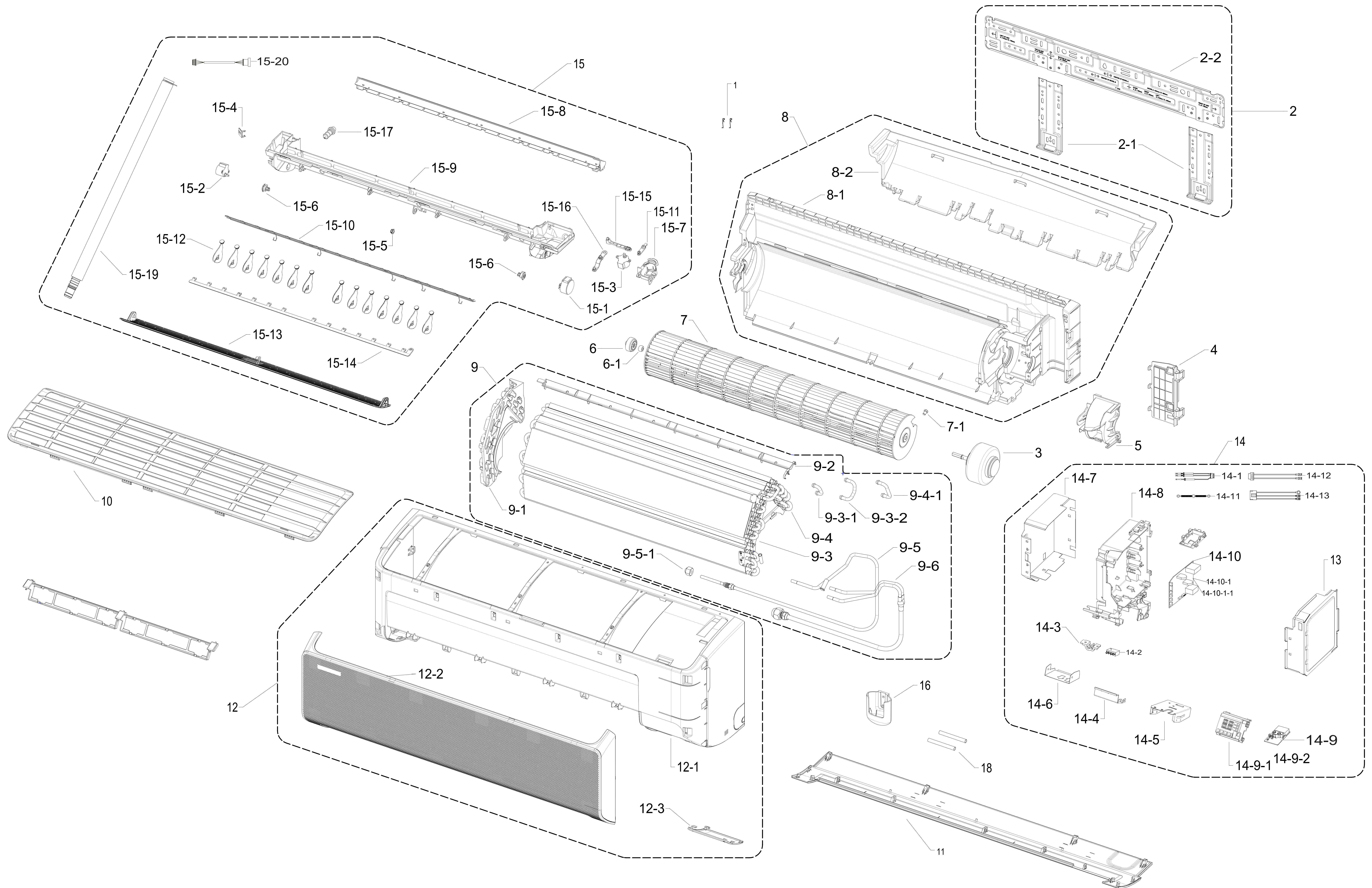


EXPLODED VIEW : INDOOR





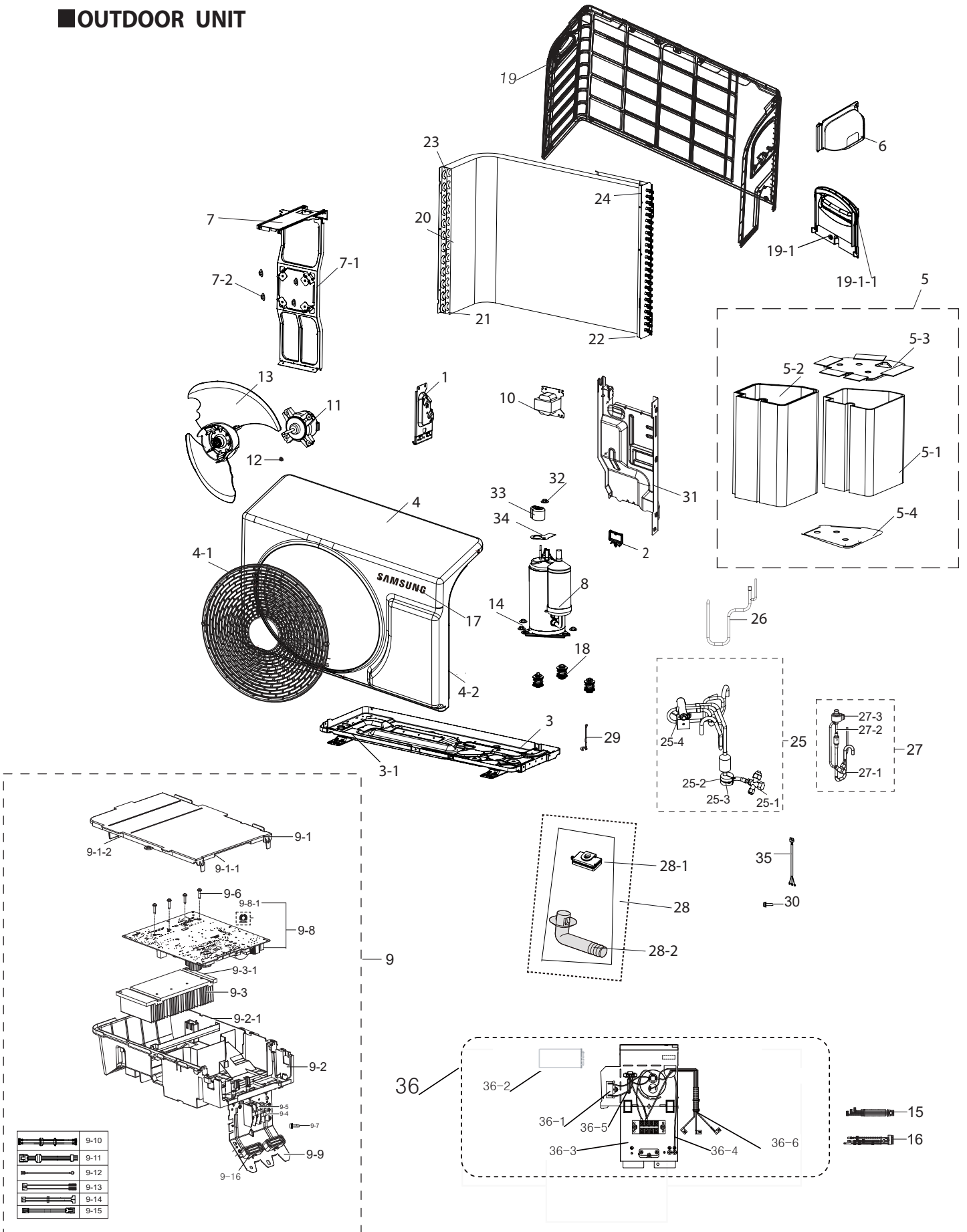
■ Parts List

Exploded Views and Parts List

AR12TXFCAWKNEU					
No.	Code No.	Description	Spec.	Q'ty	SA/SNA
1	DB67-60030A	SPRING-SENSOR	WW2-PJT,STS301,0.4,T0.4,W2.7	2	SA
2	DB90-11453A	ASSY HANGER	AR9500T,QMD RAC 1, 2	1	SA
3	DB31-00694A	MOTOR BLDC FAN	FMH2031SSA,950rpm,310V,0.23A,21W	1	SA
3,4,5,6,7,8,9	DB94-08155A	ASSY BACK BODY-EVAP	QMD RAC,S1-5, EU	1	SA
6	DB94-00455B	ASSY-RUBBER BEARING	AR18MC5UDMCNNA,ASSY	1	SC
6-1	DB94-40007B	ASSY-BEARING	G1-PJT,SSEC	1	SC
7	DB94-02933B	ASSY FAN CROSS	QMD RAC1,PI106.5 , L596mm	1	SA
8	DB94-07968A	ASSY BACK BODY	AR9500T,QMD RAC 1	1	SA
8-1	DB61-07422A	BODY BACK	HIPS,T2.2,BLACK,QMD RAC 1	1	SA
9	DB96-24831A	ASSY EVAP-TOTAL	S1-5,L591, 1BY2, EU	1	SA
9-2	DB63-04230A	COVER EVAP	AR9500T,PP,T1.8,BLACK,QMD RAC 1	1	SA
9-3	DB96-24830A	ASSY EVAP-MAIN	S1-5,2R 10S, L591	1	SA
9-3-1	DB96-24832A	ASSY TUBE EVAP-JUMP	QMD RAC,OD7.0, T0.45, L73.4	1	SA
9-3-2	DB96-24870A	ASSY TUBE EVAP-JUMP	QMD RAC,OD7.0, T0.45, L110.5	1	SA
9-4	DB96-24833A	ASSY EVAP-SUB	S1-5,2R 6S, L591	1	SA
9-4-1	DB96-24834A	ASSY TUBE EVAP-JUMP	QMD RAC,OD7.0, T0.45, L91.4	1	SA
9-5	DB96-24835A	ASSY TUBE EVAP-IN	S1-5, EU,1/4", PINCH	1	SA
9-5-1	DB60-30010A	FASTENER-NUT FLARE	BRASS	1	SA
9-6	DB96-24836A	ASSY TUBE EVAP-OUT	S1-5, EU,3/8", CAP	1	SA
12	DB92-04820J	ASSY PANEL FRONT	AIRISE,DIT +Bixby,QMD RAC1, WIND FREE	1	SA
12-1	DB64-03460A	PANEL FRONT	AR9500T, QMD RAC1, WIND-FREE,HIPS,XQ83180,DA WHITE	1	SA
12-2	DB64-03474A	GRILLE INLET	AR9500T, QMD RAC1, WIND-FREE,,HIPS,T3,DA WHITE,XQ-83180	1	SA
12-3	DB93-17180B	ASSY DISPLAY	AR9500T,No hole, DIT +Bixby	1	SA
14	DB92-04845Q	ASSY KIT	INDOOR,QMD RAC AR9500T,DLX,WINDFREE,EMI,WIFI,Standard	1	SA
14-1	DB32-00272A	SENSOR HUMIDITY	5V,10-90%RH,AC,DLX,5%,600mm,28P	1	SA
14-10	DB92-04839A	ASSY PCB MAIN	MAIN,QMD RAC AR9500T,142x120mm,220V-240V,5V,12V,19V,20W	1	SA
14-10-1	DB94-08038A	ASSY PCB AUTO	MAIN,QMD RAC AR9500T,142x120mm,Y,220V-240V,5V,12V,19V,20	1	SA
14-10-1-1	DB94-08039A	ASSY PCB SMD	MAIN,QMD RAC AR9500T,142x120mm,Y,220V-240V,5V,12V,19V,20	1	SA
14-11	DB93-14245D	ASSY CONNECTOR WIRE-EART	1,1015,16,YEL/GRN,ST710095-3,ST710095-3,-,380,-,-,-,-,EVA-PLAT	1	SA
14-12	DB93-17055B	ASSY CONNECTOR WIRE-COMM	2,1007,22,RED,SMH250-03L/RED,179973-1,-,270,PVC TUBE,200,-,-	1	SA
14-13	DB93-17169A	ASSY CONNECTOR WIRE-POWER	3,1015,18,BRN,YH396-05VR/BLU,175022-1,ST710095-3,150,-,-,-,-,F	1	SA
14-2	DB37-00033A	TERMINAL BLOCK	DAF-4P-M,MELAMINE,300V,25A,58.7X36.4X22mm,D4,NO,4P,TAB-S	1	SA
14-8	DB61-07432A	CASE CONTROL-IN	AR9500T,ABS,L260,BLACK	1	SA
14-9	DB92-04833B	ASSY PCB DISPLAY	DISPLAY_DLX,QMD RAC AR9500T,84.5x50mm,-,-,-,WIFI,N,Standard	1	SA
14-9-1	DB61-07412A	CASE-LED	AR9500T, QMD RAC,HIPS,T1.8,L69,BLACK,8.8	1	SA
14-9-2	DB94-08137A	ASSY PCB SMD	DISPLAY_DLX,QMD RAC AR9500T,84.5x50mm,N,WIFI,DB92-04833B	1	SA
15	DB94-07995B	ASSY TRAY DRAIN	DA WHITE,QMD RAC 1,HP,WIND FREE	1	SA
15-1	DB31-00370B	MOTOR STEP	35BYJ46-675,DC12V	1	SA
15-10	DB63-04248A	GUARD-SCREEN	AR9500T,MSWR,T1,BLACK,QMD1,L592.9	1	SA
15-11	DB66-01727A	LINK BLADE-C	A3050, F-RAC-04,POM,NATURAL	1	SA
15-12	DB66-02038A	BLADE V	AR9500,PP,T1.6,QMD RAC_NO WIND(AUTO)	12	SA
15-13	DB66-02044A	BLADE H	AR9500,HIPS,T3.3,QMD RAC1_No WIND	1	SA
15-14	DB66-02045A	LINK BLADE-A	AR9500,POM,L570.9,T2.2,BLACK,QMD RAC1	1	SA
15-15	DB66-02048A	LINK BLADE-B	AR9500,POM,L63.9,T2.2,BLACK,QMD RAC3	1	SA
15-16	DB66-02049A	LINK BLADE-D	AR9500,POM,L66.8,T2.2,BLACK,QMD RAC	1	SA
15-17	DB73-00180A	RUBBER-CAP DRAIN	SS-PJT,EPDM,PM GRAY	1	SA
15-18	DB93-17189A	ASSY CONNECTOR WIRE	5,2095,26,RED,SMH200-H05H3/BLK,25045HP-05A/WHT,1000,-,-,-,-	1	SA
15-19	DB94-02195B	ASSY DRAIN-HOSE	ALL,HOSE DRAIN L550mm	1	SA
15-2	DB31-00371A	MOTOR STEP	1step 5.625°/64,DC12V,650gf.cm	1	SC
15-3	DB31-00695A	MOTOR STEP 2P	STEP MOTOR,DC12V,650gf.cm,E class,1W	1	SA
15-4	DB61-06989A	HOLDER WIRE	F11-RAC,HIPS,W16.5,L17,BLACK,Hi650,MOTOR	1	SA
15-5	DB61-07418A	HINGE BLADE-A	AR9500,POM,T0.7,W10.1,F20-03	1	SA
15-6	DB61-07419A	HINGE BLADE-B	AR9500,POM,T0.7,W16.1,F20-03	2	SA
16	DB61-06087A	HOLDER-REMOCON	DELUXE,HIPS,T2,DA WHITE,S834S1	1	SA
17	DB96-24901C	ASSY WIRELESS REMOCON	ARH-5202,20. QMD RAC WINDFREE GLOBAL,RS-3,ENGLISH,40.0*45	1	SA
18	DB81-01328A	INSULATION TUBE	-,PET,T0.5,-,L70,-,-,-,-,-,OD8.0	2	SA



OUTDOOR UNIT





 **Parts List**
**AR12TXFCAWKXEU**

No.	Parts Code	Parts Description	Spec.	Quantity	SA/SNA
1	DB61-02753C	BRACKET VALVE	N-V2MD_Gix,SGMCC,T1,W98,L159,anti-corrosion	1	SA
2	DC61-60074A	HOLDER WIRE	PA66,NATURAL,101F,rectangle	2	SA
3	DB90-02991E	ASSY BASE OUT	N-V2MD,SGMCC, J FOOT	1	SA
4	DB90-09836A	ASSY CABI FRONT	N-V2MD,ASSY	1	SA
4-1	DB63-03792A	GUARD FAN	NEW V2 MD INV,PP+TD20%,-,EARTH BROWN,-,TB52U	1	SA
4-2	DB64-03209A	CABINET FRONT	NEW V2 MD INV,PP+TD20%,-,EARTH BROWN,-,TB52U	1	SA
5	DB94-08701D	ASSY FELT-MODULE	N-V2MD,UB1AR5090FJ6TS,DB63-03075A	1	SA
5-1	DB63-02341B	CLOTH COMP-SIDE	RAC,EVAR/FELT,T6.6,-,HBF,-,-	1	SA
5-2	DB63-02521B	FELT-COMP OUT	RAC,EVAR/FELT,T6.6,W290,L610	1	SA
5-3	DB63-03075B	FELT-COMP TOP IN	RAC,EVAR/FELT,T6.6	1	SA
6	DB63-03827A	COVER-VALVE	PP+TD20%,T2,-,EARTH BROWN,-,TB52U	1	SA
7	DB90-07848D	ASSY BRACKET MOTOR	N-V2MD,ASSY	1	SA
7-1	DB61-05814B	BRACKET MOTOR	GI-SGCC,T1	1	SA
8	UB1AR5090FJ6TS	RCP,COMP,RCP,F,R32		1	-
9-1	DB61-06600A	PLATE CONTROL-UP	NEW V2 MD INV,GI-SGCC,T0.3,-,-,-	1	SA
9-1-1	DB63-03378A	COVER-CONTROL UPPER INSIDE	V2 MD INV,HIPS,1.5,151.5,216.9,V-0,BLACK,F-744,SSEC	1	SA
9-2	DB61-06714A	CASE CONTROL-OUT	HIPS,T2,BLACK,VE-1877	1	SA
9-3-1	DB67-01534A	RUBBER	AR12KSFPEWQXET,SILICON RUBBER,T6,SSEC	1	SA
9-4	DB65-00274A	TERMINAL BLOCK	TERMINAL BLOCK,Polycarbonate, Phenol,AC300V,20A,	1	SA
9-5	DB37-00036A	TERMINAL BLOCK	2P(4SCREW),MELAMINE,600V,30A,30.2X48X26.2mm,D4	1	SA
9-7	DB91-00933A	SCREW-MACHINE	SWRCH18A,ZPC(WHT),L12,M3,PH,+,WS,2	3	SA
9-8	DB92-04837F	ASSY MODULE	INVERTER,QMD RAC AR9500T,142x194mm,Y,220V-240V	1	SA
9-9	DB61-06713A	PLATE CONTROL-LOW	-,GI-SGCC,T0.3,-,-,-	1	SA
9-10	DB93-09495S	ASSY CONNECTOR WIRE-POWER	2,1015,16,BRN,175022-1,175022-1,-,200,-,-,TR36/G10A,	1	SA
9-11	DB93-09497B	ASSY CONNECTOR WIRE	3,1015,16,RED,MG625040/WHT,DBT061-03P/WHT,-,200	1	SA
9-12	DB93-12121B	ASSY CONNECTOR WIRE-EARTH WIRE	1,1015,18,YEL/GRN,173724-1,ST710197-2,-,240,-,-,-,PE	2	SA
9-13	DB93-16402A	ASSY CONNECTOR WIRE-COMM	2,1007,22,RED,YH396-02VR/RED,175020-1,-,250,PVC/BL	1	SA
9-14	DB93-17175B	ASSY CONNECTOR WIRE-AC SIGNAL	2,1015,16,WHT,MG630591R/WHT,MG633976K/WHT,150	1	SA
9-15	DB93-17177A	ASSY CONNECTOR WIRE-AC SIGNAL	2,1015,18,SKY,YH396-03VR/WHT,YH396-H03PL/WHT,-,1	1	SA
9-16	DB61-02200A	HOLDER WIRE	CN-PJT,ABS,T2,W16,L61.5,-,VICTORY GRAY,-,-,V-0,VE-0	1	SA
10	DB27-00119A	COIL HARMONIC	5mH,10A	1	SA
11	DB31-00693A	MOTOR BLDC FAN	ZKFP-30-8-222,850rpm,310V,0.3A,30W	1	SA
12	DB60-00437A	FASTENER-NUT FLANGE	QMD,SWRCH10A,L6	1	SA
13	DB67-00997A	FAN PROPELLER	V2MD,PP+(GF+PD)40%	1	SA
14	DB60-30028A	NUT-FLANGE	HWH,M8,ZPC(WHT),SWRCH18A,P1.25/Washer Type(W	3	SA
15	DB93-17279A	ASSY CONNECTOR WIRE-COMP	3,3343,16,RED,MG615042/WHT,MG634833/WHT,-,350,C	1	SA
16	DB32-00257A	SENSOR TEMP	L700,10kohm,3%,25C,7phi	1	SA
19	DB90-03374P	ASSY CABI SIDE	N-V2MD,FIN-COND ; 7pi 2R	1	SA
19-1	DB90-07985A	ASSY COVER CONTROL	F-XS-01,COVER+PLATE	1	SA
19-1-1	DB63-01506B	COVER-CONTROL OUT	TSAR-PJT,PP+TD20%,-,L136.9,-,EARTH BROWN,-,TB52U	1	SA
20	DB96-22205B	ASSY COND-MODULE	N_V2MD	1	SA
25	DB96-24872A	ASSY TUBE 4WAY	N-V2MD,20-RIH-2-R32,UB1AR5090,F&T 4-4-2,'3/8, sens	1	SA
25-1	DB62-09654A	VALVE SERVICE-SPINDLE	BRASS,FLARE,k type,R410A,9.52mm	1	SA
25-2	DB67-60031A	SPRING-RUBBER	QMD,STS304,1.4mm,OD34.8,-,RUST_RESISTING_PROCE	1	SA
25-3	DB67-70011A	WEIGHT-RUBBER	NR,W22,BLACK,BLACK	1	SA
25-4	DB96-06998F	ASSY-SOLENOID COIL	WW3,SSEC	1	SA
27	DB96-24881A	ASSY TUBE EEV	N-V2MD,F&T 4-4-2,1.3C,H/P	1	SA
27-1	DB62-09652A	VALVE SERVICE-SPINDLE	A/C,BRASS,FLARE,R410A,6.35mm	1	SA
27-3	DB62-12213A	VALVE COIL EXPAN	DC12V,COIL,700,15.45,MOLDING	1	SA
28-1	DB67-01533A	RUBBER-LEG	All frame,NR,BLACK	4	SA
28-2	DB67-20011A	DRAIN-PLUG OUT	ASH-1814ER,PP,NATURAL	1	SA
29	DB81-00635A	SPRING ETC-SENSOR	DVM-SYSTEM,STS304,ID2.5,OD4.5,L44,T0.3,W2,NONE	2	SA
30	6002-000481	SCREW-TAPPING	TH,+,NO,2S,M4.0,L12,NI PLT,SWRCH18A,ZnNi + TOP Co	10	SA
31	DB94-06664A	ASSY PARTITION	ASSY PARTITION,For 7pi2row	1	SA