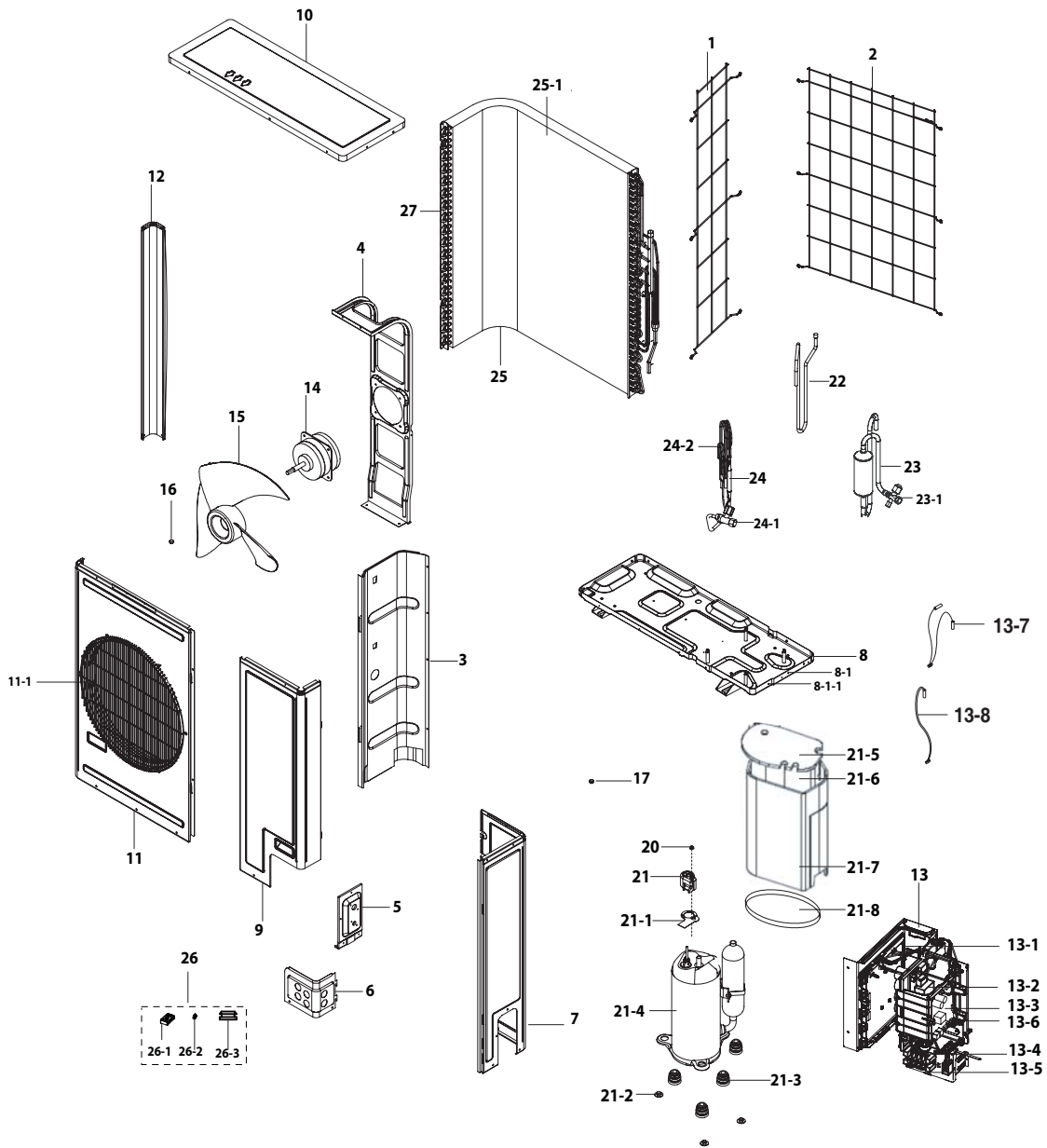


Outdoor Unit

AC036JXADKC/VN



■ Parts List

AC036JXADKC/VN

No.	Code No.	Description	Specification	Qty	SA/SNA
1	DB61-05652A	BAR-STEEL A	RC100SHXEC,MSWR,3.5,GY-0180	1	SA
2	DB61-05653A	BAR-STEEL B	RC100SHXEC,MSWR,3.5,GY0180	1	SA
3	DB94-03568A	ASSY PARTITION-S501	RC100SHXEC,SSEC CAC	1	SA
4	DB90-02321F	ASSY BRACKET MOTOR	SSEC	1	SA
5	DB90-07110A	ASSY BRACKET-VAVLE	SSEC	1	SA
6	DB90-07117C	ASSY BRACKET-WIRE PAINT	SSEC	1	SA
7	DB90-07208G	ASSY CABI BACK-RH	RC100SHXEC,SSEC,LCI,S5	1	SA
8	DB90-07214T	ASSY BASE OUT	AC036JXADKC/VN,ASSY	1	SA
8-1	DB90-01530K	ASSY BASE	LCI 10.0KW 1Phase,SSEC	1	SNA
8-1-1	DB64-01132H	CABINET-BASE	LCI 10.0KW 1Phase,GI-SGCC,T	1	SNA
9	DB90-07228D	ASSY-CABI FRONT RH	s50-2,ssec	1	SA
10	DB90-07229G	ASSY-CABI TOP COVER	UH090EAS,SGCC-M,S50-	1	SA
11	DB90-07251D	ASSY CABI FRONT-LF	RC100SHXEC,SSEC,LCI,S	1	SA
11-1	DB63-03314A	GUARD-FAN	CAC,MSWR-SWRM,2.5,EARTH BROWN	1	SA
12	DB90-07346B	ASSY CABI BACK-LF	RC100SHXGC,SGCC-M T1.0	1	SA
13	DB92-03651A	ASSY KIT	OUTDOOR,PF4-1,SSEC	1	SNA
13-1	DB93-11112E	ASSY INVERTER PCB	MIRAGE OUT DOOR,Invert	1	SA
13-2	DB92-03310A	ASSY PCB MAIN	OUTDOOR MAIN,CPAC NASA,192	1	SA
13-3	DB93-11110A	ASSY PCB SUB-EMI	GLOBAL-4WAY OUTDOOR,Inv	1	SA
13-4	DB65-00061H	TERMINAL BLOCK	SSEC	1	SA
13-5	DB65-00296A	TERMINAL BLOCK	SSEC	1	SA
13-6	DB93-12483A	ASSY PCB SUB-EEPROM	SUB,DVMPPLUS4 UP,20*2	1	SA
13-7	DB93-10808J	ASSY CONNECTOR WIRE-COMM	2,1015,22,RED,Y	1	SA
13-8	DB93-13118A	ASSY CONNECTOR WIRE-POWER(EMI TO MAIN)	2	1	SA
14	DB31-00611C	MOTOR FAN	FMFC531SSHA,130W,950RPM,DC310V	1	SA
15	DB67-00861A	FAN-PROPELLER	-,SAN+GF20%,OD460,-,T3.5,-	1	SA
16	DB60-00437A	FASTENER-NUT FLANGE	SWRCH10A	1	SA
17	6011-001449	BOLT-FLANGE	M5,L25(10),ZPC,SWRCH18A,+ ,SE	4	SA
18	DB93-13198B	ASSY CONNECTOR WIRE-COMP	MAN U,INV	1	SA
19	DB95-05003A	ASSY THERMISTOR OUT	MAN U	1	SA
20	6021-001142	NUT-HEXAGON FLANGE	-,M5,ZPC(YEL),SWCH10A,SERRATION	1	SA
21	DB63-02280A	COVER TERMINAL	55F TBR,CEXP-0023C,BLACK	1	SA
21-1	DB63-02281B	GASKET	55F TBR,SIR,T0.8,60-70	1	SA
21-2	DB60-30028A	NUT-FLANGE	HWH,M8,ZPC(WHT),SWRCH18A,P1.25/ Washer Type(WP)	3	SA
21-3	DB63-02297A	GROMMET ISOLATOR	-,NR,-,L32.5,ID11.5,OD36,BLACK,SSEC	3	SA
21-4	UG8T300FUBJUSS	RCP,48 TWIN A INV,F,R410A	SSEC	1	SA
21-5	DB63-03365A	FELT-COMP TOP	RC100SHXEC,FELT	1	SA
21-6	DB63-03372A	FELT-COMP SIDE	RC100SHXEC,FELT,SSEC,LCI	1	SA
21-7	DB63-03370A	FELT-COMP OUTSIDE	RC100SHXEC,felt,LCI,SSEC	1	SA
21-8	DB63-02855A	FELT-BASE	RC100SHXEC,RC140SHXEC,PVC+FELT,T5	1	SA
22	DB96-21508A	ASSY TUBE DISCHARGE	AC036JXADKC/VN,ASSY	1	SA
23	DB96-21510A	ASSY TUBE SUCTION	AC036JXADKC/VN,ASSY	1	SA
23-1	DB62-09658A	VALVE SERVICE-SPINDLE	5/8",R410A, FLAR	1	SA
24	DB96-21513A	ASSY TUBE EEV	AC036JXADKC/VN,ASSY	1	SA
24-1	DB62-09654A	VALVE SERVICE-SPINDLE	FLARE,R410A,9.52	1	SA
24-2	DB62-04267A	VALVE EXPAN	SUS,1.8,500	1	SA
25	DB96-20966A	ASSY COND BENDING	AC036HCBDDBD/VN,SSEC	1	SA
25-1	DB96-20637A	ASSY COND SUB	S50-1,SSEC	1	SA
26	DB97-00369K	ASSY ACCESSORY	CO,-,28000Btu,NO,NO,NO,RF	1	SA
26-1	DB73-20134A	RUBBER-LEG	V2-MD,NR,55	4	SA
26-2	DB60-30010B	FASTENER-NUT FLARE	C3771 BD,HEX,5/8-18UNF	1	SA
26-3	DB63-10355C	CAP-DRAIN	CR,T2,BLACK,ASH-1814ER	1	SA
27	DB90-09046A	ASSY PLATE-COND	AC036JXADKC/VN,ASSY	1	SA
28	DB81-00635A	SPRING ETC-SENSOR	DVM-SYSTEM,STS304,R2.5	2	SA