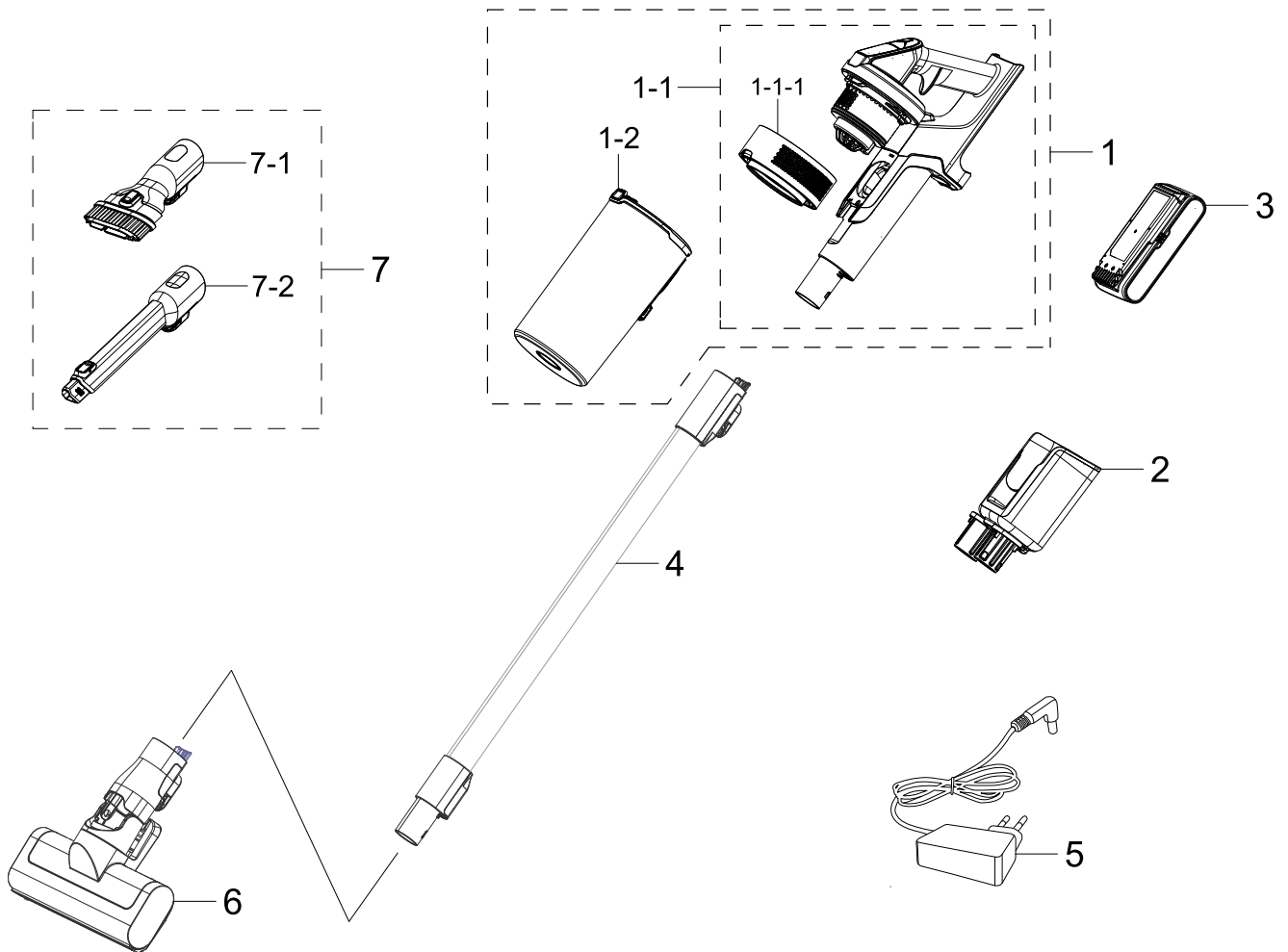


1. Main Body

Main Body

Exploded View



Parts List

No.	Lvl.	Loc.	Material Code	Description & Specification	SNA	Qty.
1	1		DJ97-03124A	ASSY HANDY; VS6700,ASSY HANDY,COTTA BLACK	SNA	1
1-1	2	RB001	DJ97-03123A	ASSY BODY; VS6700,COTTA BLACK,HEPA,3 STEP	SNA	1
1-1-1	3	RB037	DJ97-02641A	ASSY GRILLE BACK; VS9000RL,SILVER,PTFE931	SA	1
1-2	2		DJ97-02835J	ASSY CYCLONE; VS6700,COTTA BLACK,0.8L	SNA	1
2	2	RA014	DJ96-00231D	ASSY CHARGER; VS6700,COTTA BLACK	SA	1
3	2		DJ96-00227E	ASSY BATTERY LI IB; Li-ion,21.6V,1800mAh,	SA	1
4	2		DJ97-03120A	ASSY PIPE; VS6700,AL,EXP,SILVER,SANDING	SA	1

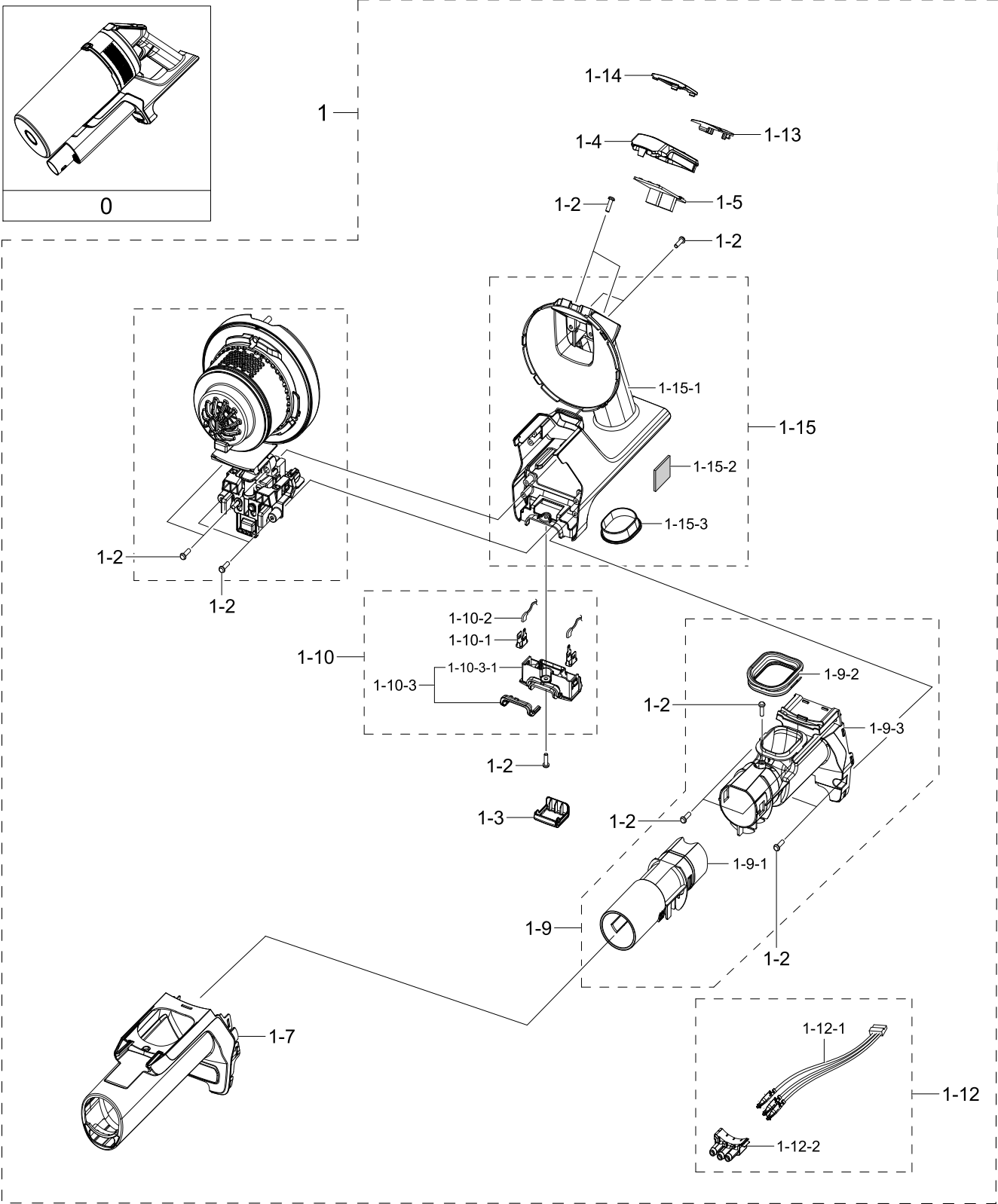
Exploded Views and Parts List

No.	Lvl.	Loc.	Material Code	Description & Specification	SNA	Qty.
5	2		DJ44-00007C	ADAPTOR; DC25.85V,1.2A,AC100-240V,30W,0to	SA	1
6	2		DJ97-03121A	ASSY BRUSH; VS6700,CARPET BRUSH,COTTA BLA	SNA	1
7	2		DJ98-01226A	ASSY ACCESSORY; VS6700AL,Accessory Packin	SNA	1
7-1	3	RA002	DJ98-01129M	ASSY ACCESSORY DUSTING; VS6700AL,DUSTING,	SA	1
7-2	3	RA001	DJ98-01130M	ASSY ACCESSORY CREVICE; VS6700AL,CREVICE,	SNA	1

2. Assy Handy

Assy Handy

Exploded View



Parts List

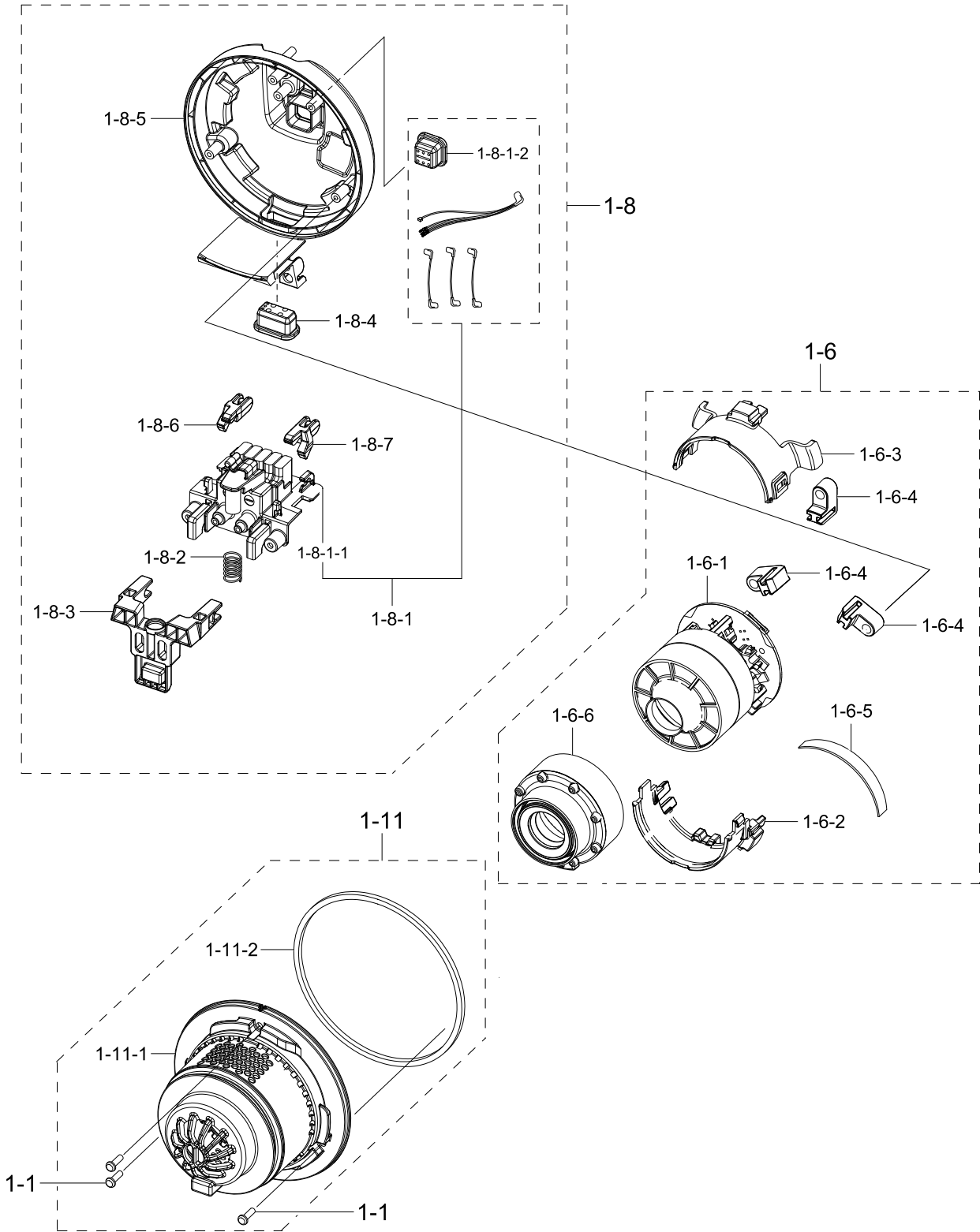
No.	Lvl.	Loc.	Material Code	Description & Specification	SNA	Qty.
0	1		DJ97-03124A	ASSY HANDY; VS6700,ASSY HANDY,COTTA BLACK	SNA	1
1	2	RB001	DJ97-03123A	ASSY BODY; VS6700,COTTA BLACK,HEPA,3 STEP	SNA	1
1-2	3	RV005	6003-000159	SCREW-TAPTYPE; PH,+,B,M3,L10,ZPC(BLK),SWR	SNA	14
1-3	3		DJ64-01350D	BUTTON PUSH; VS6700,PC,HB,COTTA BLACK	SNA	1
1-4	3	RB042	DJ97-02680B	ASSY PANEL CONTROL; VS6700,COTTA BLACK,At	SA	1
1-5	3		DJ92-00217A	ASSY PBA MODULE; ON/OFF CONTROL,VS6700AL,	SA	1
1-7	3		DJ61-03070A	FRAME FRONT; VS6700,ABS,COTTA BLACK,-,T1.	SNA	1
1-9	3	RB033	DJ97-02643A	ASSY DUCT INLET; VS9000RL	SA	1
1-9-1	4		DJ62-00459A	PIPE CONNECTOR; VS9000RL,PC,ID30,OD33.8,G	SNA	1
1-9-2	4		DJ63-01653A	GASKET DUCT; VS9000NL,TPV,TPV-45VSH-45A,T	SA	1
1-9-3	4		DJ67-00832A	DUCT INLET; VS9000NL,PC+ABS,HI-1050,EBONY	SNA	1
1-10	3		DJ97-02644D	ASSY HOLDER; VS6700,COTTA BLACK,CHARGING	SA	1
1-10-1	4		DJ37-00016A	TERMINAL; T0.5	SNA	2
1-10-2	4		DJ39-00284A	WIRE HARNESS-TERMINAL; 1P,CHARGER,UL3398,	SNA	2
1-10-3	4		DJ63-01654D	CUSHION ETC; VS6700,TPE,W31.4,L9.5,OR3000	SNA	1
1-10-3-1	5		DJ61-02558D	HOLDER ETC; VS6700,PC,L25.3,COTTA BLACK,V	SNA	1
1-12	3		DJ97-02671A	ASSY HOLDER; VS9000RL,PIPE-HANDY	SA	1
1-12-1	4		DJ39-00293A	WIRE HARNESS-TERMINAL; 3P,Pipe,UL3398,#22	SNA	1
1-12-2	4		DJ61-02555A	HOLDER TERMINAL; VS9000RL,PC,L25.5,EBONY	SNA	1
1-13	3		DJ64-01481A	BUTTON CONTROL; VS9000RL,ABS,-,EBONY BLAC	SNA	1
1-14	3		DJ64-01482A	WINDOW DISPLAY; VS9000RL,ABS,HG-0760GP,EB	SNA	1
1-15	3	RB034	DJ97-02794D	ASSY FRAME; VS6700,COTTA BLACK	SA	1
1-15-1	4		DJ61-02617D	FRAME; VS6700,PC,COTTA BLACK,W,ES3020N	SA	1

No.	Lvl.	Loc.	Material Code	Description & Specification	SNA	Qty.
1-15-2	4		DJ63-01680A	FILTER SAFETY; VS9000RL,T5,W30,L40,EBONY	SA	1
1-15-3	4		DJ67-00831D	CAP ETC; VS6700,PC+ABS,HB,HI-1050,COTTA B	SNA	1

3. Assy Handy_Assy Motor Parts

Assy Handy_Assy Motor Parts

Exploded View



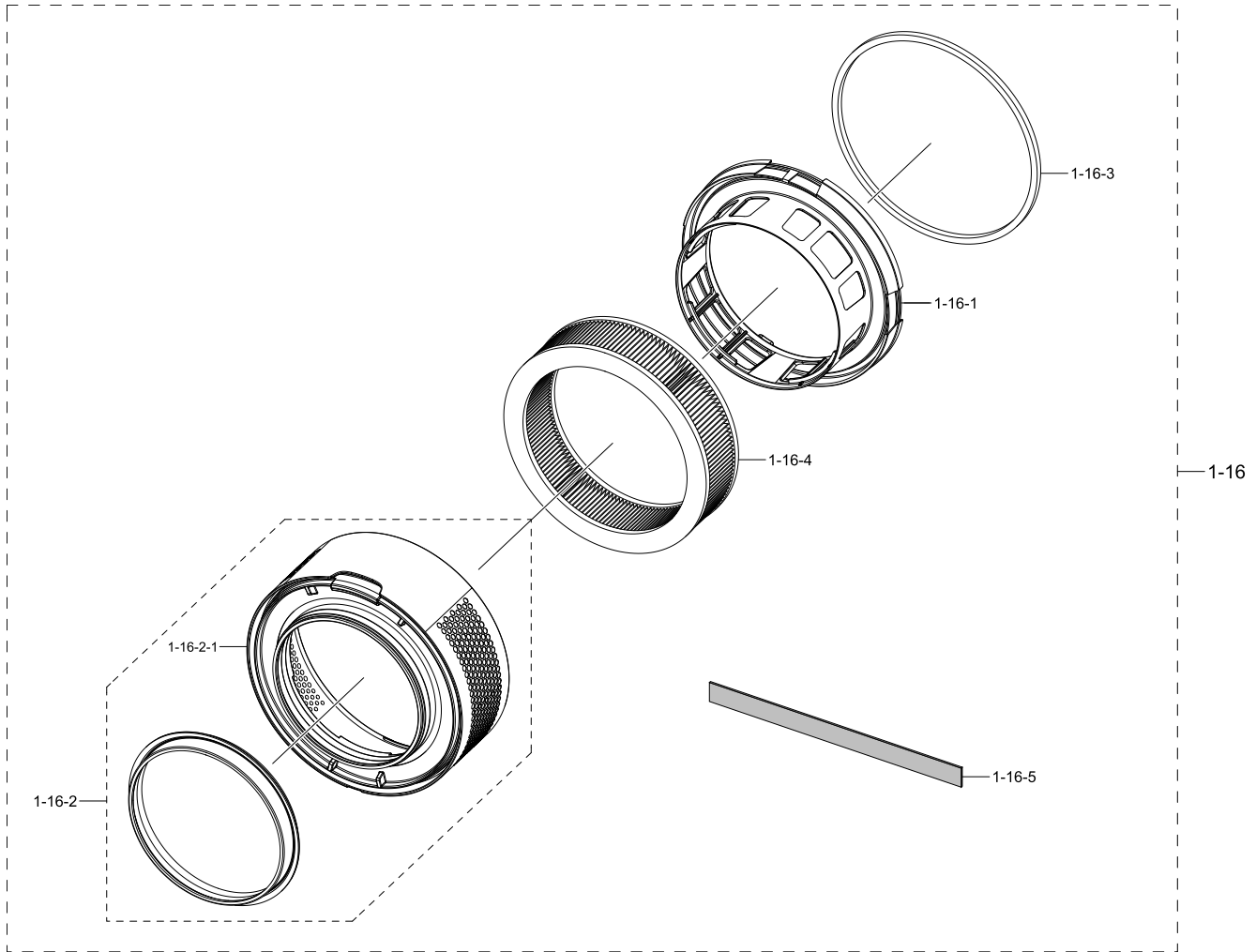
Parts List

No.	Lvl.	Loc.	Material Code	Description & Specification	SNA	Qty.
1-1	3	RV005	6002-000325	SCREW-TAPPING; PH,+,-,2,M3,L20,ZPC(WHT),S	SNA	3
1-6	3		DJ94-00892C	ASSY MOTOR PARTS; VS7000TL,WELLING,400CLW	SNA	1
1-6-1	4		DJ31-00181A	MOTOR BLDC FAN; ZSDP-322-2-1,120krpm,21.6	SA	1
1-6-2	4		DJ61-02833A	HOLDER MOTOR; VS7000TL,PP+TD30%,L39.9,BLA	SA	1
1-6-3	4		DJ61-02834A	HOLDER MOTOR; VS7000TL,PP+TD30%,L39.9,BLA	SA	1
1-6-4	4		DJ63-01683A	CUSHION ETC; VS9000RL,NBR,W9.2,L16,EBONY	SA	3
1-6-5	4		DJ63-01686A	GASKET ETC; VS9000RL,EPDM FOAM,T1,W15,L20	SA	1
1-6-6	4		DJ63-01790A	CUSHION MOTOR; VS7000TL,NBR,T2,W56,L17.2,	SA	1
1-8	3		DJ97-02642G	ASSY HOLDER TERMINAL; VS6700,COTTA BLACK,	SA	1
1-8-1	4	RJ189	DJ39-00346A	WIRE HARNESS-STICK; 5P,VS6700_HANDY,UL339	SA	1
1-8-1-1	5		DJ61-02567A	HOLDER TERMINAL; VS9000NL,PK+GF5%,L52,BLA	SNA	1
1-8-1-2	5		DJ63-01732B	GASKET WIRE; VS6700,TPV,TPV-45VSH-65A,BLA	SNA	1
1-8-2	4	RP302	DJ61-01350A	SPRING ETC-BUTTON; SU9380,HSWR,COD0.6,ID6	SA	1
1-8-3	4		DJ61-02557A	GUIDE LINK; VS9000NL,ABS,L32.5,HB,GP-35,N	SNA	1
1-8-4	4		DJ63-01647A	GASKET WIRE; VS9000NL,NBR,T2.5,BATTERY	SNA	1
1-8-5	4		DJ97-02681B	ASSY COVER; VS6700,COTTA BLACK,Attatch PA	SNA	1
1-8-6	4		DJ66-00824A	LEVER RELEASE; VS9000NL,ABS,HG-0760GP,EBO	SNA	1
1-8-7	4		DJ66-00825A	LEVER RELEASE; VS9000NL,ABS,HG-0760GP,EBO	SNA	1
1-11	3	RJ004	DJ97-02670B	ASSY CASE MOTOR F; VS9000,BLACK,No,NO GAS	SNA	1
1-11-1	4	RJ031	DJ63-01656A	COVER MOTOR; VS9000NL,ABS,NEUTRAL GRAY,HG	SNA	1
1-11-2	4		DJ63-01674A	GASKET ETC; VS9000RL,EVA FOAM,-,T3,W3,L15	SNA	1

4. Assy Handy_Assy Grille Back

Assy Handy_Assy Grille Back

Exploded View



Parts List

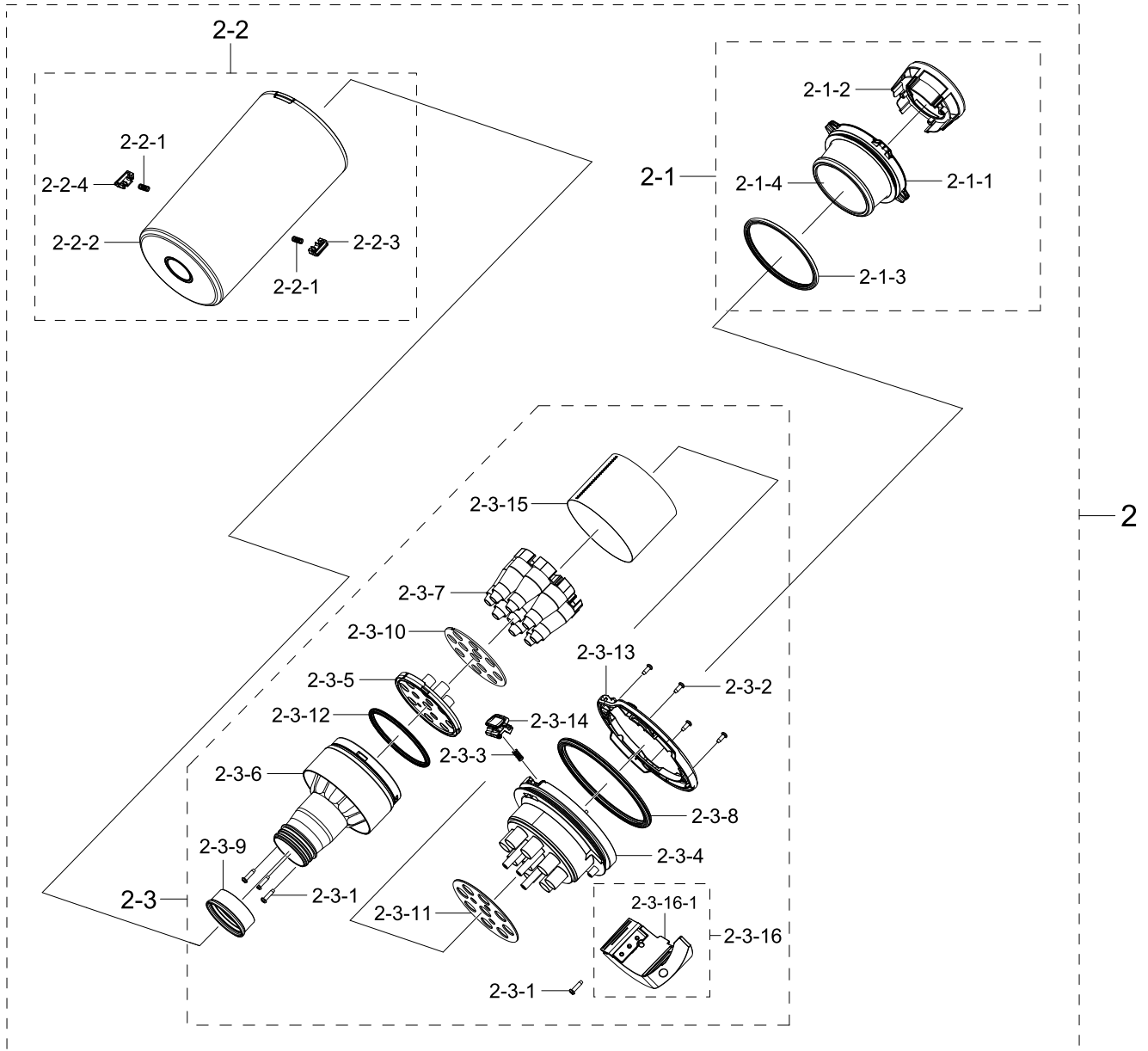
No.	Lvl.	Loc.	Material Code	Description & Specification	SNA	Qty.
1-16	3	RB037	DJ97-02641A	ASSY GRILLE BACK; VS9000RL,SILVER,PTFE931	SA	1
1-16-1	4		DJ61-02559A	HOLDER GRILLE; VS9000NL,PC+ABS,L108,EBONY	SNA	1
1-16-2	4		DJ63-01658A	GASKET GRILLE; VS9000NL,TPE,OR3000PC,BLAC	SNA	1
1-16-2-1	5		DJ64-01355A	GRILLE FILTER; VS9000NL,ABS,NEUTRAL GRAY,	SNA	1
1-16-3	4		DJ63-01674A	GASKET ETC; VS9000RL,EVA FOAM,-,T3,W3,L15	SNA	1

No.	Lvl.	Loc.	Material Code	Description & Specification	SNA	Qty.
1-16-4	4		DJ63-01675A	FILTER OUTLET; VS9000RL,T9,W26.5,PTFE9314	SNA	1
1-16-5	4		DJ63-01681A	ABSORBER ETC; VS9000RL,PET,T1.2	SNA	1

5. Assy Handy_Assy Cyclone

Assy Handy_Assy Cyclone

Exploded View



Parts List

No.	Lvl.	Loc.	Material Code	Description & Specification	SNA	Qty.
2	2		DJ97-02835J	ASSY CYCLONE; VS6700,COTTA BLACK,0.8L	SNA	1
2-1	3		DJ97-02649C	ASSY FILTER; VS6700,MICRO,AZURE BLUE,FILT	SA	1
2-1-1	4		DJ61-02590B	HOLDER FILTER; VS6700,ABS,L,AZURE BLUE,HB	SNA	1
2-1-2	4		DJ61-02591B	SUPPORT FILTER; VS6700,ABS,HB,HG-0760GP,A	SNA	1
2-1-3	4		DJ63-01671A	GASKET HOLDER; VS9000NL,TPV,TPV-45VSH-65A	SNA	1
2-1-4	4		DJ63-01678B	FILTER CYCLONE; VS9000RL,SOFT SKY BLUE,FI	SNA	1
2-2	3	RL005	DJ97-02829A	ASSY CASE; VS7000TL,GRAY TRP,No,0.8L	SA	1
2-2-1	4		DJ61-02594A	SPRING ETC COIL; VS9000RL,STS304,0.4mm,ID	SNA	2
2-2-2	4		DJ61-02753A	CASE CYCLONE; VS9000-Renewal,PC,T1.4,GRAY	SNA	1
2-2-3	4		DJ64-01362A	BUTTON CYCLONE-LEFT; VS9000RL,ABS,DARK CH	SNA	1
2-2-4	4		DJ64-01363A	BUTTON CYCLONE-RIGHT; VS9000RL,ABS,DARK C	SNA	1
2-3	3		DJ97-02837E	ASSY CYCLONE GRILLE; VS6700,COTTA BLACK,C	SA	1
2-3-1	4	RV005	6002-000462	SCREW-TAPPING; PH,+,2,M3,L10,ZPC(WHT),SWR	SNA	4
2-3-2	4	RV005	6002-001262	SCREW-TAPTYPE; PH,+,B,M3,L8,PASS,STS304	SNA	4
2-3-3	4		DJ61-02593A	SPRING ETC COIL; VS9000RL,STS304,0.6mm,ID	SA	1
2-3-4	4		DJ61-02761A	CASE CYCLONE-UP; VS9000RL,ABS,T1.4,COTTA	SNA	1
2-3-5	4		DJ61-02762A	CASE CYCLONE-MIDDLE; VS9000RL,ABS,T1.2,AI	SNA	1
2-3-6	4		DJ61-02764A	CASE CYCLONE-LOW; VS9000RL,ABS,T1.4,COTTA	SNA	1
2-3-7	4		DJ61-02765A	CASE CYCLONE-IN; VS9000RL,ABS,T1.2,EBONY	SNA	1
2-3-8	4		DJ63-01668A	GASKET CYCLONE-UP; VS9000RL,PVC,LF-G31,T1	SNA	1
2-3-9	4		DJ63-01670A	GASKET CYCLONE; VS9000RL,TPV,TPV-45VSH-65	SNA	1
2-3-10	4		DJ63-01761A	GASKET CYCLONE-IN; VS9000RL,EVA FOAM,T1.5	SNA	1
2-3-11	4		DJ63-01762A	GASKET CYCLONE-MIDDLE; VS9000RL,EVA FOAM,	SNA	1

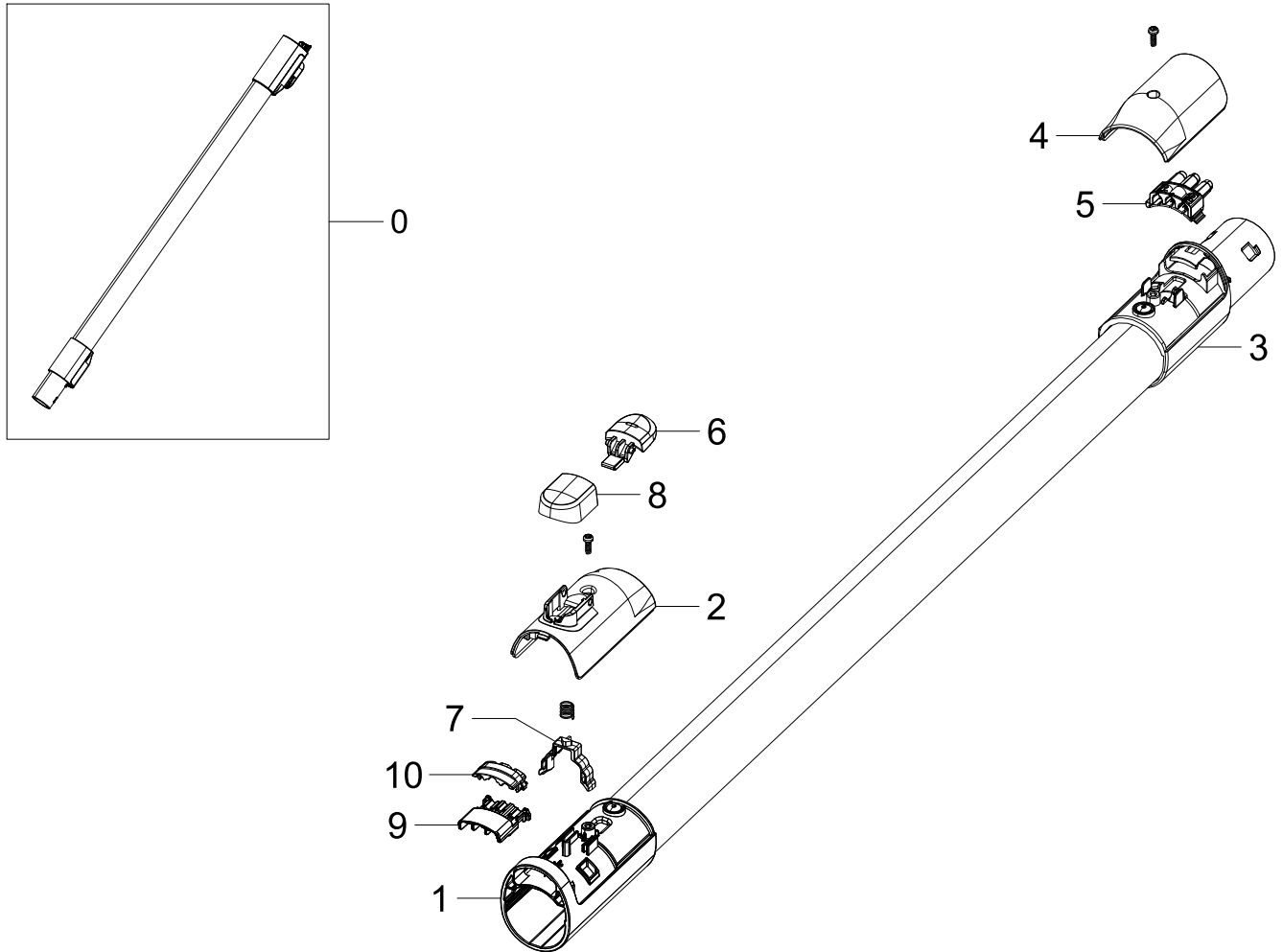
Exploded Views and Parts List

No.	Lvl.	Loc.	Material Code	Description & Specification	SNA	Qty.
2-3-12	4		DJ63-01763A	GASKET ETC; VS9000RL,EVA FOAM,-,T2.5,W2.5	SNA	1
2-3-13	4		DJ64-01360J	DECORATION CYCLONE-UP; VS6700,PC,COTTA BL	SNA	1
2-3-14	4		DJ64-01361J	BUTTON CYCLONE; VS6700,PC,HB,COTTA BLACK	SNA	1
2-3-15	4		DJ64-01469A	GRILLE CYCLONE; VS6700,STS304,Etching	SNA	1
2-3-16	4		DJ97-02838A	ASSY GUIDE AIR; VS9000RL,Dark ChroMetal,C	SNA	1
2-3-16-1	5		DJ61-02766A	GUIDE AIR; VS9000RL,PP,T1.5,L93,ML9500,DA	SNA	1

6. Assy Pipe

Assy Pipe

Exploded View



Parts List

No.	Lvl.	Loc.	Material Code	Description & Specification	SNA	Qty.
0	2		DJ97-03120A	ASSY PIPE; VS6700,AL,EXP,SILVER,SANDING	SA	1
1	3		DJ61-02925A	HOLDER PIPE; VS6700,PC,L87.2,COTTA BLACK,	SNA	1
2	3		DJ63-01863A	COVER HOLDER; VS6700,PC,HB,COTTA BLACK,30	SNA	1
3	3		DJ62-00501A	PIPE CONNECTOR; VS6700,PC,COTTA BLACK,302	SNA	1
4	3		DJ67-00896A	CAP ETC; VS6700,PC,HB,3022R,COTTA BLACK,3	SNA	1
5	3		DJ61-02555A	HOLDER TERMINAL; VS9000RL,PC,L25.5,EBONY	SNA	1

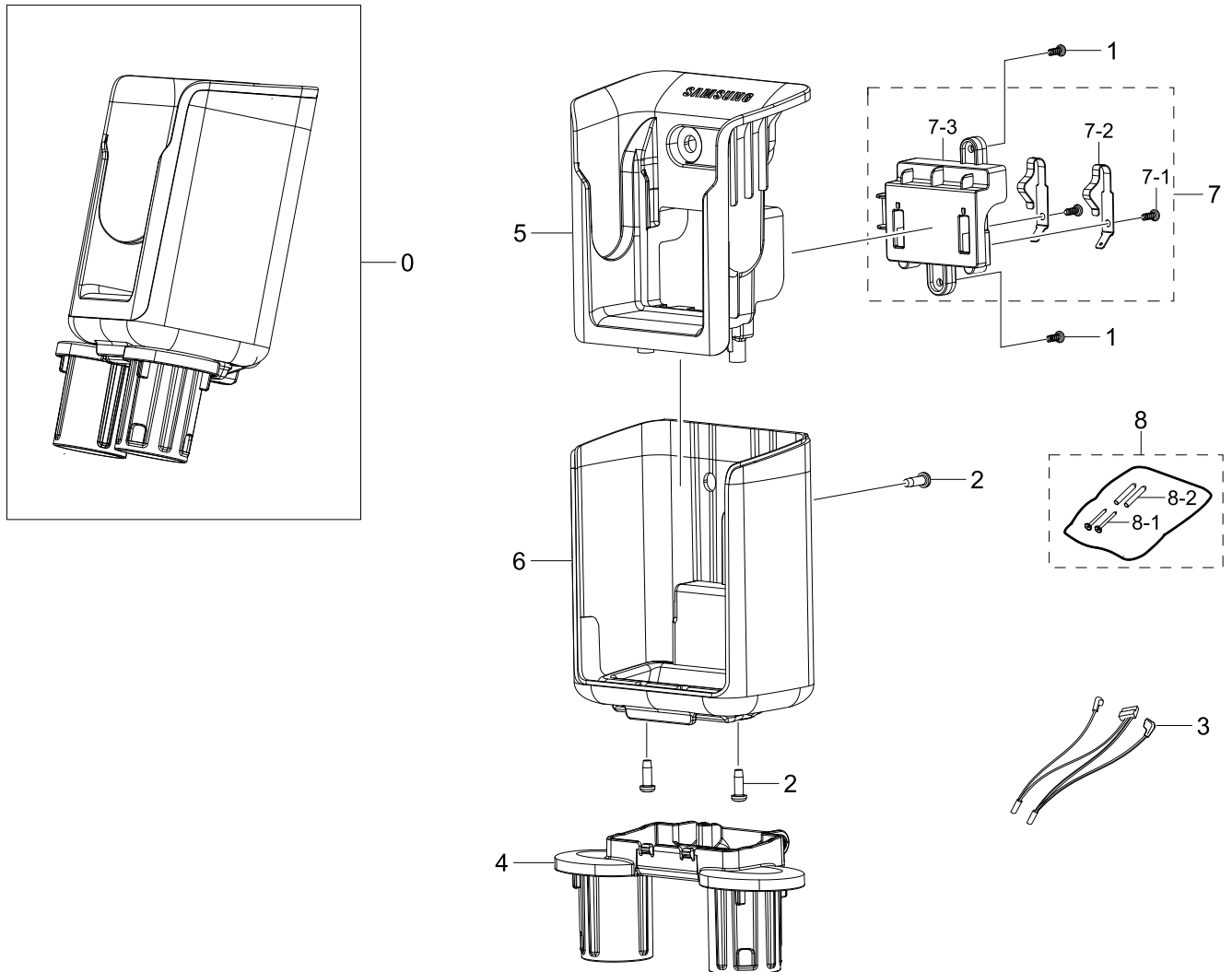
Exploded Views and Parts List

No.	Lvl.	Loc.	Material Code	Description & Specification	SNA	Qty.
6	3		DJ64-01348G	KNOB PIPE; VS6700,PC,COTTA BLACK,3022R/32	SNA	1
7	3		DJ66-00823A	LEVER RELEASE; VS9000NL,PC,3022R,GRAY TR-	SNA	1
8	3		DJ67-00828F	CAP KNOB; VS6700,PC,HB,3022R,COTTA BLACK,	SA	1
9	3		DJ61-02551A	HOLDER TERMINAL; VS9000NL,PC,L30,EBONY BL	SNA	1
10	3	RA051	DJ63-01651A	COVER TERMINAL; VS9000NL,PC,V-0,EBONY BLA	SNA	1

7. Assy Charger

Assy Charger

Exploded View



Parts List

No.	Lvl.	Loc.	Material Code	Description & Specification	SNA	Qty.
0	2	RA014	DJ96-00231D	ASSY CHARGER; VS6700,COTTA BLACK	SA	1
1	3	RV005	6003-000167	SCREW-TAPTTYPE; PH,+,B,M3,L8,ZPC(BLK),SWRC	SNA	2
2	3	RV005	6003-000170	SCREW-TAPTTYPE; PH,+,B,M4,L12,ZPC(WHT),SWR	SNA	3
3	3	RJ109	DJ39-00304A	WIRE HARNESS-POWER; 2P,DC JACK(DC-005C-1.	SA	1
4	3		DJ61-02751C	HOLDER ACCESSORY; VS6700,ABS,L,COTTA BLAC	SA	1

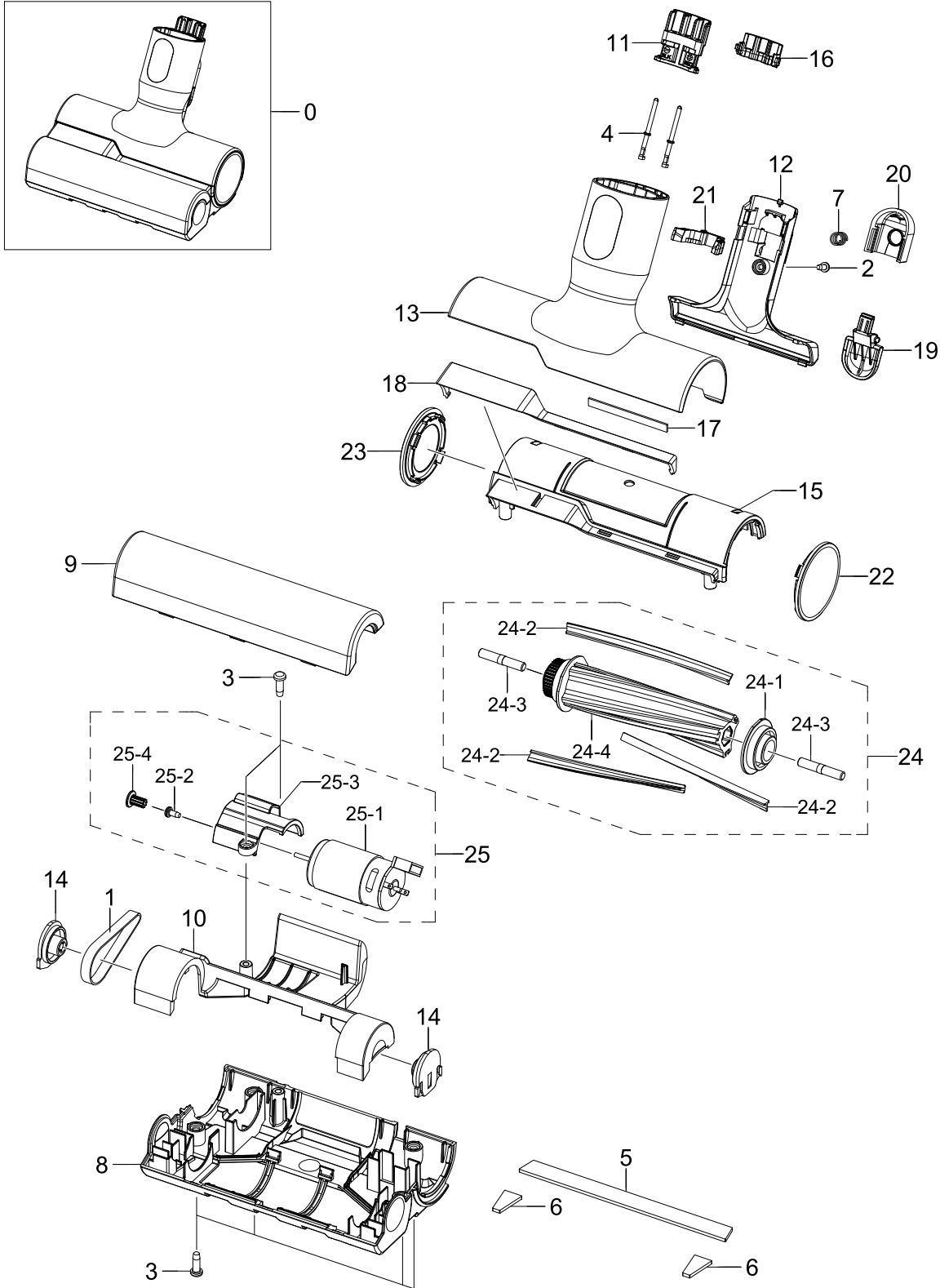
Exploded Views and Parts List

No.	Lvl.	Loc.	Material Code	Description & Specification	SNA	Qty.
5	3		DJ61-02752A	BODY CHARGER; VS7500TL,ABS,T2.3,NEUTRAL G	SA	1
6	3		DJ63-01751C	COVER CHARGER; VS6700,ABS,HB,COTTA BLACK,	SNA	1
7	3		DJ97-02824A	ASSY HOLDER TERMINAL; VS7000TL,NEUTRAL GR	SA	1
7-1	4	RV005	6003-000167	SCREW-TAPTYPE; PH,+,B,M3,L8,ZPC(BLK),SWRC	SNA	2
7-2	4		DJ37-00019A	TERMINAL; VS9000RL,ASSY CHARGER HOLDER	SNA	2
7-3	4		DJ61-02750A	HOLDER TERMINAL; VS7500TL,PC,T2,L56.3,NEU	SNA	1
8	3		DJ98-01138A	ASSY ACCESSORY; VS9000RL,WALL MOUNT SCREW	SA	1
8-1	4	RV005	6002-001644	SCREW-TAPPING; BH,+,1,M5,L55,ZPC(BLK),SWR	SNA	2
8-2	4		DJ61-02601A	HOLDER LOCK; VS9000RL,PP,L40,NATURAL,HB,B	SNA	2

8. Mini Turbo Brush

Mini Turbo Brush

Exploded View



Parts List

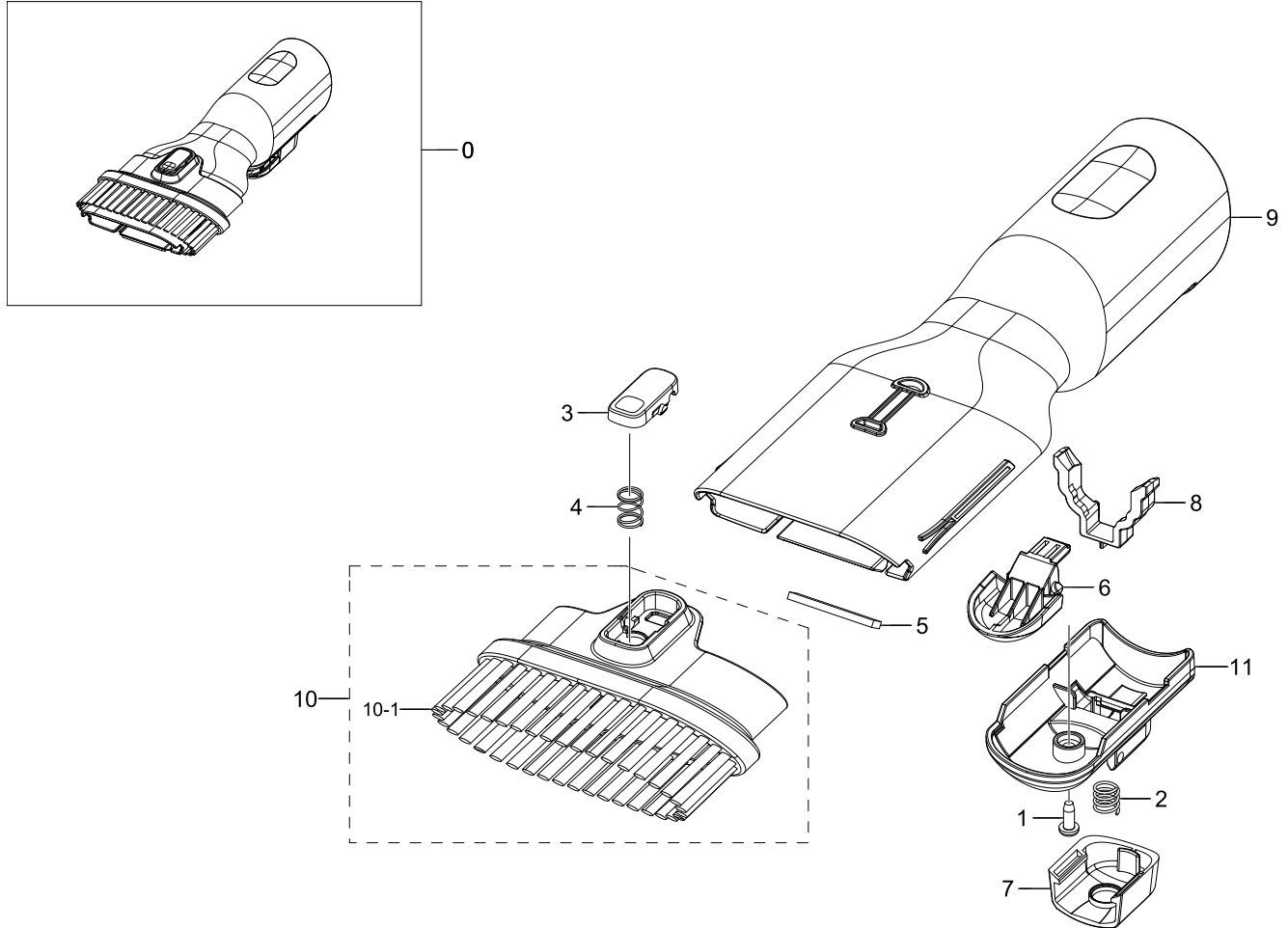
No.	Lvl.	Loc.	Material Code	Description & Specification	SNA	Qty.
0	2		DJ97-02636D	ASSY BRUSH; VS6700,MINI TURBO,COTTA BLACK	SA	1
1	3		6602-002831	BELT-TIMING GEAR; 2M-130-6,NBR,T1.36,BLK	SNA	1
2	3	RV005	6002-000630	SCREW-TAPPING; PH,+,2S,M3,L8,ZPC(WHT),SWR	SNA	1
3	3	RV005	6003-000170	SCREW-TAPTYPE; PH,+,B,M4,L12,ZPC(WHT),SWR	SNA	6
4	3		DJ39-00283A	WIRE HARNESS-MOTOR; 2P,BRUSH(MINI TURBO),	SNA	1
5	3		DJ60-00032A	SPACER BRUSH; TB-700,WOOL,L135,T2,AIR BOR	SA	1
6	3		DJ60-00038A	SPACER BRUSH; TB-700,WOOL,L19.4,-,-,T2,W0	SA	2
7	3		DJ61-00584A	SPRING ETC-CAP; VC-MBM940,HSWR,CD0.7,OD7.	SA	1
8	3		DJ61-02484D	BODY BRUSH; VS6700,ABS,COTTA BLACK,HB,HG-	SA	1
9	3		DJ61-02485A	CASE DRUM; VS8000ML,PC,GRAY TR-P,SR1000,M	SNA	1
10	3		DJ61-02486A	GUIDE AIR; VS8000ML,PP,Length,Diameter,HB	SNA	1
11	3		DJ61-02551A	HOLDER TERMINAL; VS9000NL,PC,L30,EBONY BL	SNA	1
12	3		DJ61-02566C	HOLDER WIRE; VS6700,PC,L,COTTA BLACK,HB,3	SA	1
13	3		DJ62-00461C	PIPE CONNECTOR; VS6700,PC,COTTA BLACK,302	SNA	1
14	3		DJ63-00604A	COVER-DRUM; UPRIGHT,POM,-,BISSELL,-,BLACK	SA	2
15	3		DJ63-01605D	COVER BRUSH; VS6700,ABS,HB,COTTA BLACK,HG	SNA	1
16	3	RA051	DJ63-01651A	COVER TERMINAL; VS9000NL,PC,V-0,EBONY BLA	SNA	1
17	3		DJ63-01628A	GASKET ETC; VS8000ML,EVA FOAM,W5,L52,MINI	SNA	1
18	3		DJ64-01331B	DECORATION COVER; VS9000ESS,ABS,AIRBORNE,	SNA	1
19	3		DJ64-01348G	KNOB PIPE; VS6700,PC,COTTA BLACK,3022R/32	SNA	1
20	3		DJ67-00828F	CAP KNOB; VS6700,PC,HB,3022R,COTTA BLACK,	SA	1
21	3		DJ66-00823A	LEVER RELEASE; VS9000NL,PC,3022R,GRAY TR-	SNA	1
22	3		DJ67-00807D	CAP BODY; VS6700,ABS,HB,HG-0760GP,COTTA B	SNA	1

No.	Lvl.	Loc.	Material Code	Description & Specification	SNA	Qty.
23	3		DJ67-00808D	CAP AIR; VS6700,ABS,HB,HG-0760GP,COTTA BL	SNA	1
24	3		DJ97-02574B	ASSY DRUM BRUSH; VS9000RL,L126.4,AQUA GRE	SA	1
24-1	4		DJ61-02345C	HOLDER-DRUM; VS9000RL,PP+TD30%,L5,AQUA GR	SNA	1
24-2	4		DJ62-00418B	NOZZLE DRUM; VS8000ML,NBR,BLACK	SNA	3
24-3	4		DJ66-00206B	SHAFT DRUM; UPRIGHT,SM20C,L29,OD4.95,NATU	SNA	2
24-4	4		DJ66-00749C	DRUM BRUSH; VS9000RL,PP+TD30%,PTN960,AQUA	SNA	1
25	3		DJ94-00891A	ASSY MOTOR PARTS; VS9000RL,RS390,MINI BRU	SNA	1
25-1	4	RJ077	DJ31-00148C	MOTOR DC; 7038rpm,18.0V,0.70A,20.7W	SNA	1
25-2	4		DJ92-00184A	ASSY MODULE; BRUSH MOTOR,VS9000RL,GREEN,S	SNA	1
25-3	4	RV005	6006-000112	SCREW-MACHINE; PH,+,WS,M2.6,L8,ZPC(WHT),S	SNA	1
25-4	4		DJ61-02498A	HOLDER MOTOR; VS8000ML,ABS,-,L42,EBONY BL	SNA	1

9. Combination Tool

Combination Tool

Exploded View



Parts List

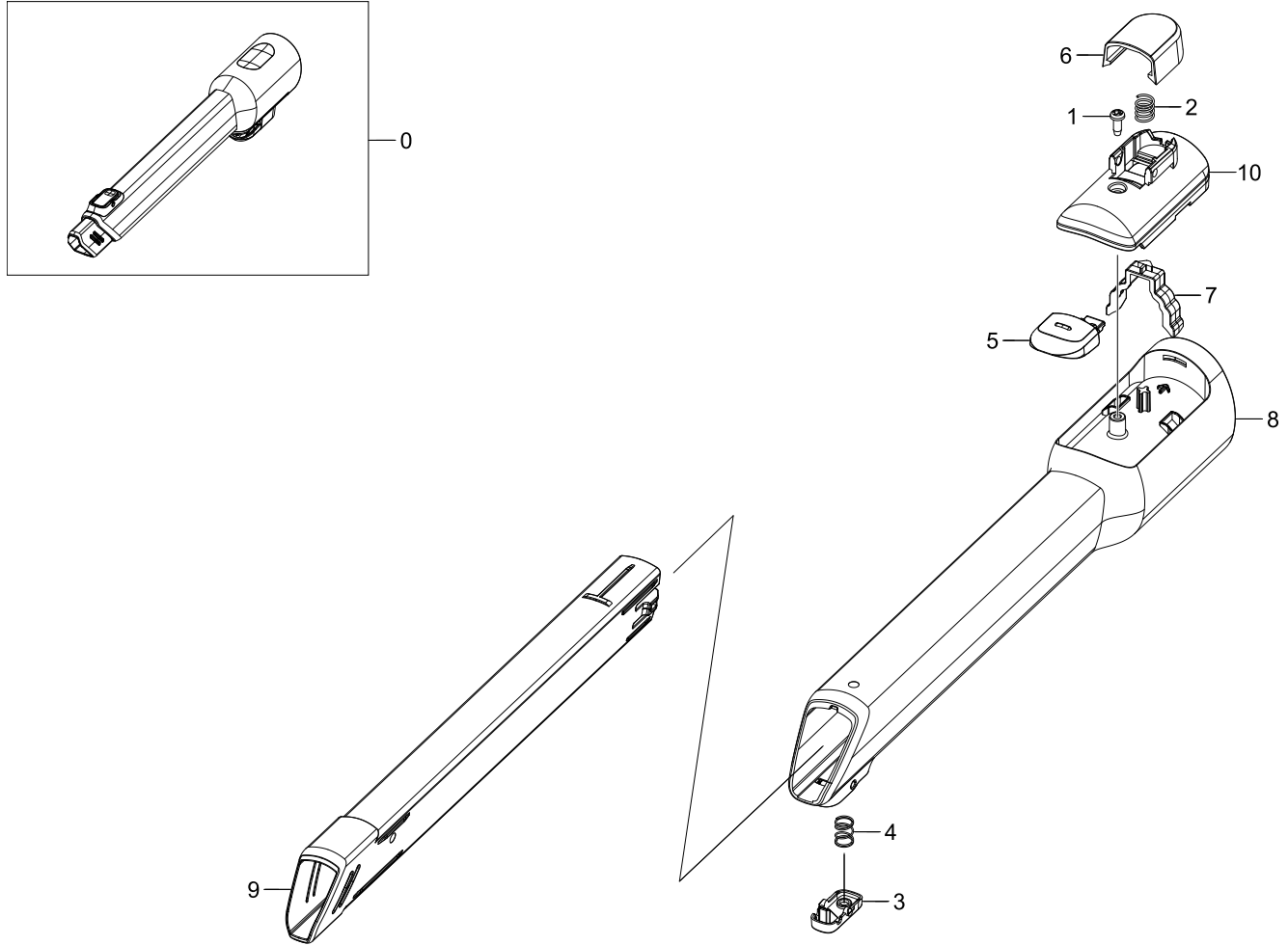
No.	Lvl.	Loc.	Material Code	Description & Specification	SNA	Qty.
0	3	RA002	DJ98-01129M	ASSY ACCESSORY DUSTING; VS6700AL,DUSTING,	SA	1
1	4	RV005	6002-000630	SCREW-TAPPING; PH,+,2S,M3,L8,ZPC(WHT),SWR	SNA	1
2	4		DJ61-00584A	SPRING ETC-CAP; VC-MBM940,HSWR,CD0.7,OD7.	SA	1
3	4		DJ64-01333D	BUTTON PUSH; VS6700,PC,HB,COTTA BLACK,302	SA	1
4	4		DJ61-02508A	SPRING ETC COIL; VS8000ML,HSWR,CD0.5,ID6.	SA	1
5	4		DJ60-00057B	SPACER BRUSH; VS9000RL-ESS,WOOL,L26.5,Air	SNA	1

No.	Lvl.	Loc.	Material Code	Description & Specification	SNA	Qty.
6	4		DJ64-01348G	KNOB PIPE; VS6700,PC,COTTA BLACK,3022R/32	SNA	1
7	4		DJ67-00828F	CAP KNOB; VS6700,PC,HB,3022R,COTTA BLACK,	SA	1
8	4		DJ66-00823A	LEVER RELEASE; VS9000NL,PC,3022R,GRAY TR-	SNA	1
9	4		DJ62-00454C	PIPE CONNECTOR; VS6700,ABS,COTTA BLACK,HG	SA	1
10	4	RA036	DJ67-00827C	BRUSH DUSTING; VS6700,ABS,HG-0760GP/G3450	SNA	1
10-1	5		DJ62-00371H	NOZZLE BRUSH; VS9000RL,PA66+GF30%,T0.15,-	SNA	6
11	4		DJ63-01644C	COVER HOLDER; VS6700,ABS,HB,COTTA BLACK,H	SA	1

10.Crevice Tool

Crevice Tool

Exploded View



Parts List

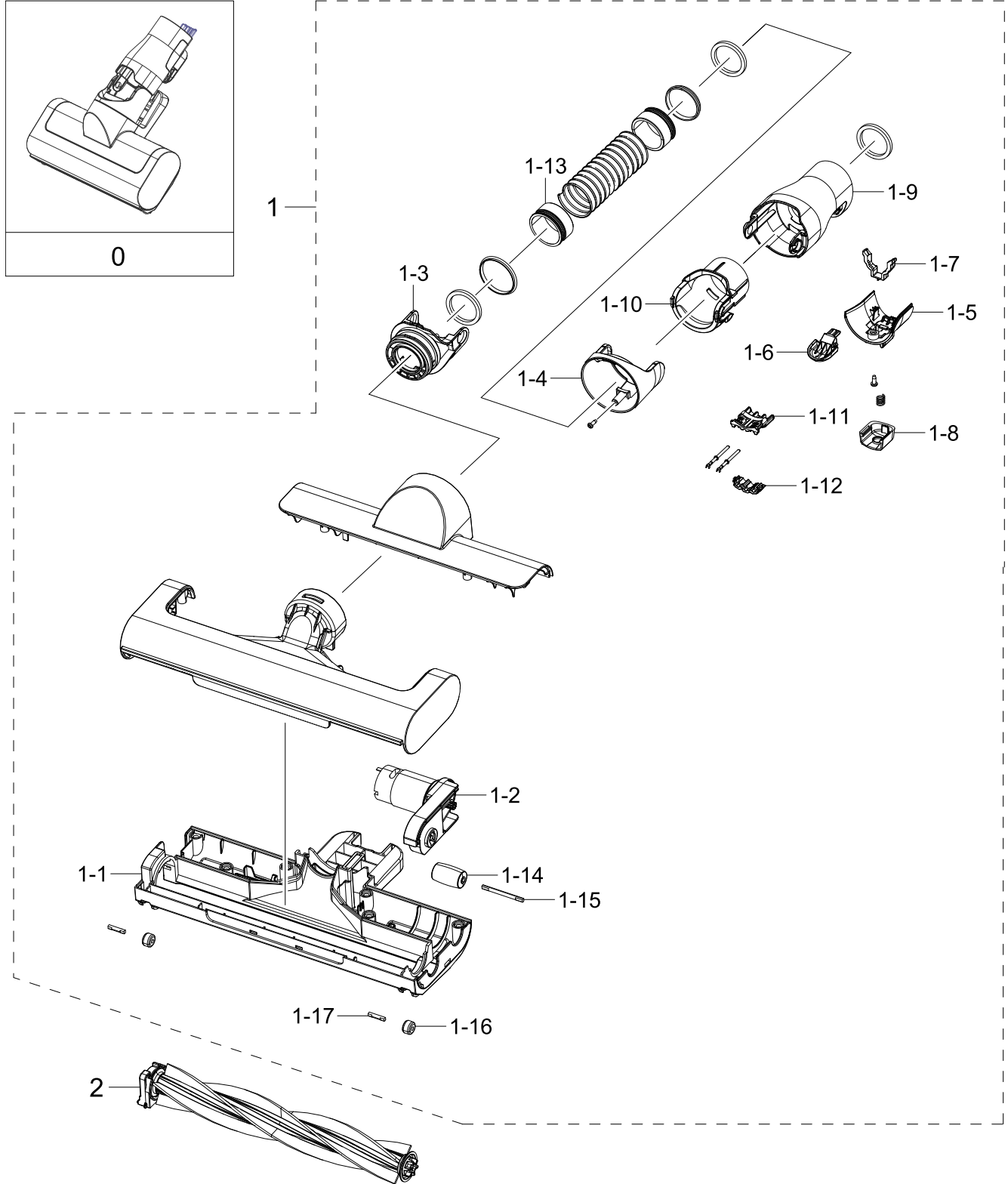
No.	Lvl.	Loc.	Material Code	Description & Specification	SNA	Qty.
0	3	RA001	DJ98-01130M	ASSY ACCESSORY CREVICE; VS6700AL,CREVICE,	SNA	1
1	4	RV005	6002-000630	SCREW-TAPPING; PH,+,2S,M3,L8,ZPC(WHT),SWR	SNA	1
2	4		DJ61-00584A	SPRING ETC-CAP; VC-MBM940,HSWR,CD0.7,OD7.	SA	1
3	4		DJ64-01333D	BUTTON PUSH; VS6700,PC,HB,COTTA BLACK,302	SA	1
4	4		DJ61-02508A	SPRING ETC COIL; VS8000ML,HSWR,CD0.5,ID6.	SA	1
5	4		DJ64-01348G	KNOB PIPE; VS6700,PC,COTTA BLACK,3022R/32	SNA	1
6	4		DJ67-00828F	CAP KNOB; VS6700,PC,HB,3022R,COTTA BLACK,	SA	1

No.	Lvl.	Loc.	Material Code	Description & Specification	SNA	Qty.
7	4		DJ66-00823A	LEVER RELEASE; VS9000NL,PC,3022R,GRAY TR-	SNA	1
8	4		DJ62-00455C	PIPE CONNECTOR; VS6700,ABS,COTTA BLACK,HG	SNA	1
9	4	RA078	DJ62-00456B	PIPE CREVICE; VS9000ESS,ABS,L241.8,SILVER	SA	1
10	4		DJ63-01644C	COVER HOLDER; VS6700,ABS,HB,COTTA BLACK,H	SA	1

11. Jet Fit Brush

Jet Fit Brush

Exploded View



Parts List

No.	Lvl.	Loc.	Material Code	Description & Specification	SNA	Qty.
0	2		DJ97-03121A	ASSY BRUSH; VS6700,CARPET BRUSH,COTTA BLA	SNA	1
1	3		DJ97-03141A	ASSY BODY BRUSH; VS6700,Cotta Black	SA	1
1-1	4	RB001	DJ97-03139A	ASSY BODY; VS6700,Cotta Black	SNA	1
1-2	4		DJ94-01038A	ASSY MOTOR PARTS; VS6700,SRC-395SMP-2183-	SNA	1
1-3	4		DJ60-00067A	CONNECTOR BRUSH; PC,VS6700,COTTA BLACK,HB	SNA	1
1-4	4		DJ63-01862A	COVER CONNECTOR; VS6700,PC,HB,COTTA BLACK	SNA	1
1-5	4		DJ63-01662D	COVER HOLDER; VS6700,PC,HB,COTTA BLACK,30	SNA	1
1-6	4		DJ64-01348G	KNOB PIPE; VS6700,PC,COTTA BLACK,3022R/32	SNA	1
1-7	4		DJ66-00823A	LEVER RELEASE; VS9000NL,PC,3022R,GRAY TR-	SNA	1
1-8	4		DJ67-00828F	CAP KNOB; VS6700,PC,HB,3022R,COTTA BLACK,	SA	1
1-9	4		DJ62-00460D	PIPE CONNECTOR; VS6700,PC,COTTA BLACK,302	SNA	1
1-10	4		DJ61-02565D	HOLDER ETC; VS6700,PC,L,COTTA BLACK,HB,30	SNA	1
1-11	4		DJ61-02551A	HOLDER TERMINAL; VS9000NL,PC,L30,EBONY BL	SNA	1
1-12	4	RA051	DJ63-01651A	COVER TERMINAL; VS9000NL,PC,V-0,EBONY BLA	SNA	1
1-13	4		DJ60-00056A	CONNECTOR HOSE; PP,VS9000RL,NATURAL,BJ750	SNA	1
1-14	4		DJ66-00914A	ROLLER; VS6700,PVC,OD15,BLACK,POM Insert	SNA	1
1-15	4		DJ66-00912A	SHAFT ROLLER; VS6700,MSWR,L35.5,OD3,T3	SNA	1
1-16	4		DJ66-00911A	ROLLER; VS6700,NBR,OD10,BLACK	SNA	2
1-17	4		DJ66-00913A	SHAFT ROLLER; VS6700,MSWR,L14,OD3,T3	SNA	2
2	3		DJ97-03140A	ASSY DRUM BRUSH; VS6700,L234.4,BLACK,Cott	SA	1