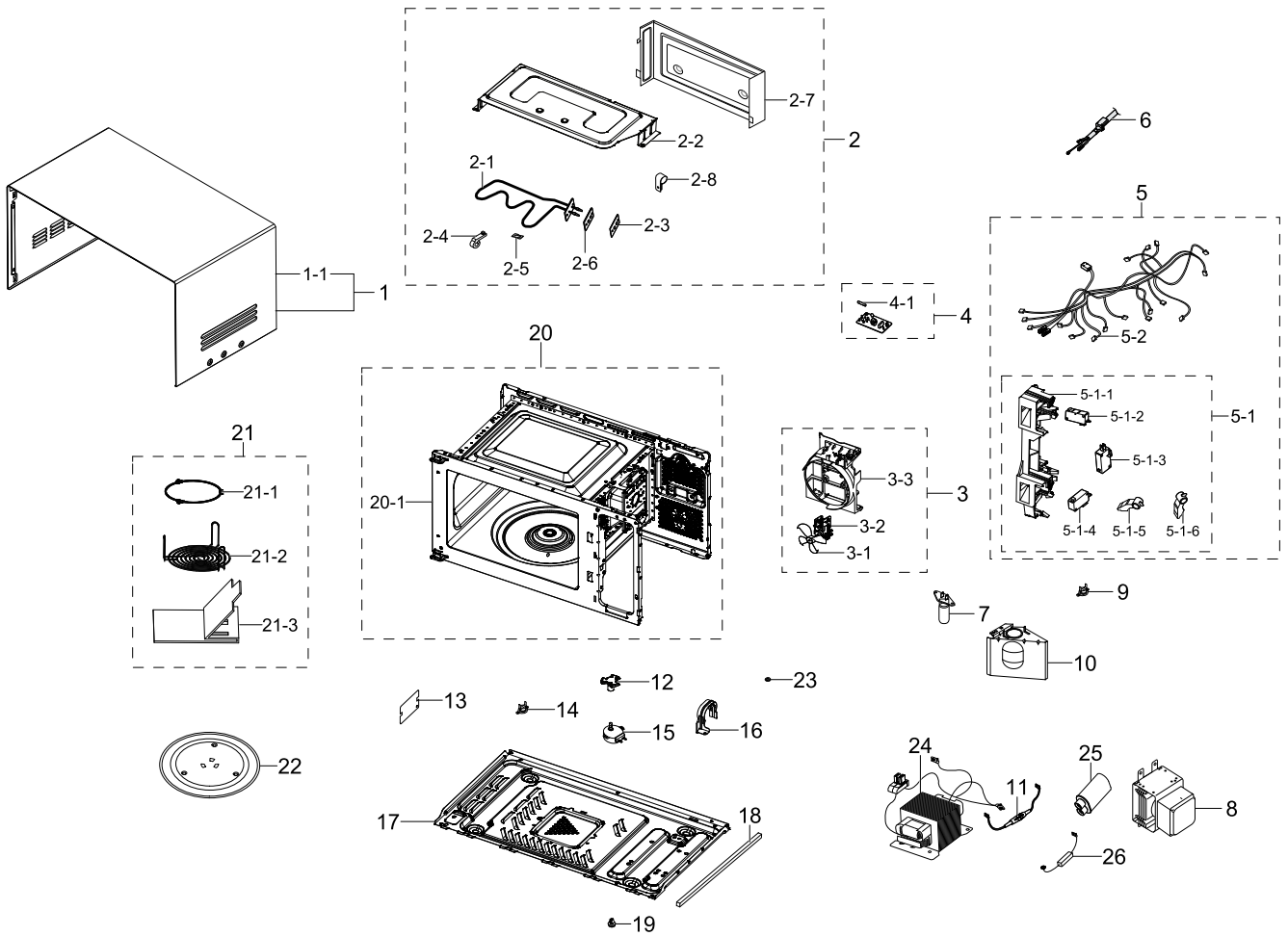


1. MG23K3515AS/EC

Exploded View



Parts List

No.	Lvl.	Loc.	Material Code	Description & Specification	SNA	Qty.
1	1	M001	DE64-02356G	PANEL OUTER; MW73B-S,EGI-SECC,T0.4,NEO SI	SA	1
1-1	2		DE64-02356A	PANEL OUTER-PRESS; 0.7ECO PLATFORM,EGI-SE	SNA	1
2	1		DE90-01069H	ASSY GRILL PARTS; MG23K3515AS,0.8 ECO FIX	SNA	1
2-1	2	H061	DE47-00016A	HEATER SHEATH-GRILL; AC230V,BKT,1100W(108	SA	1
2-2	2	M003	DE61-01318A	BRACKET-UPPER(GRILL); 0.8 Chic,EGI-SECC,T	SA	1
2-3	2	M012	DE61-01529A	BRACKET HEATER; 1.1 CELLO,EGI-SECC,T0.8	SNA	1
2-4	2	M535	DE61-30008A	SUPPORT HEATER; GE87H/BAL,ALUMINA,T12,W11	SNA	1
2-5	2	M005	DE61-70060A	SPRING-PLATE; SK5,T0.5	SNA	1

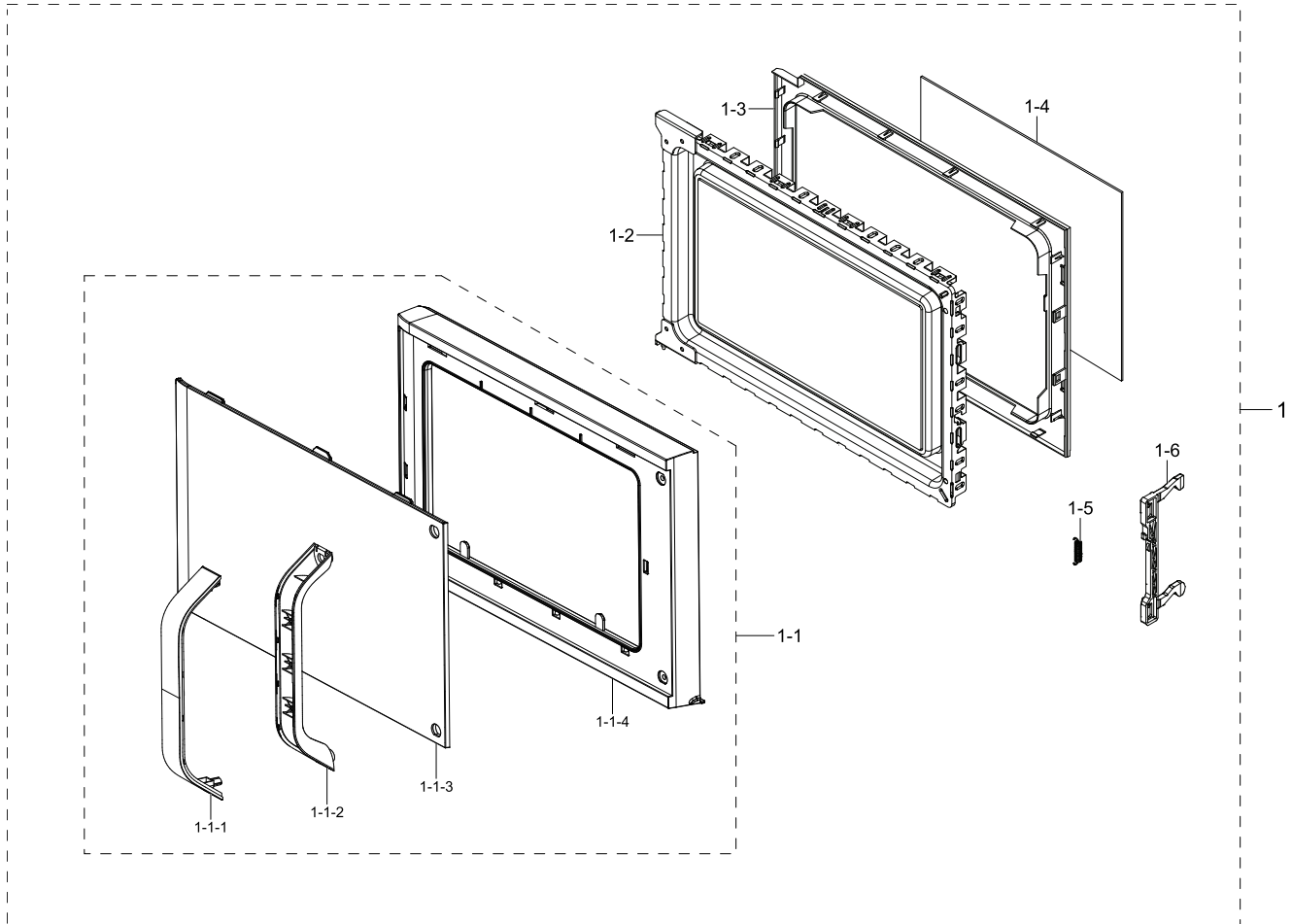
Exploded Views and Parts List

No.	Lvl.	Loc.	Material Code	Description & Specification	SNA	Qty.
2-6	2	M008	DE63-00049B	GASKET-HEATER; BRASS,T1.0,NATURAL	SNA	1
2-7	2	P186	DE63-00678A	COVER BACK; 0.8 chic,EGI-SECC,T0.4,GRILL	SNA	1
2-8	2	M483	DE65-20014A	CABLE CLAMP; NY-66,DA-6N	SNA	1
3	2	M020	DE96-00848K	ASSY MOTOR FAN; GE73M/XEO,SMF-3RDEA1,230V	SNA	1
3-1	3	H099	DE31-90057A	BLADE-FAN; 3RD-W,PP,T1.5,T1.5	SA	1
3-2	3	M023	DE31-10185A	MOTOR AC FAN; SMF-3RDEA1,2,230V,50Hz,20W,	SA	1
3-3	3		DE63-00788A	COVER BLOWER; ECO, NC2K,PP,T1.2,HB,NATURA	SA	1
4	2	M017	DE96-00399A	ASSY NOISE FILTER; SN-UF11A,250V/15A,250V	SA	1
4-1	3	M019	3601-001197	FUSE-CARTRIDGE; 250V,15A,SLOW-BLOW,CERAMI	SA	1
5	1		DE94-03493R	ASSY HOLDER-WIRE; 0.8 ECO ELECT,HANDLE	SNA	1
5-1	2	B022	DE94-02317E	ASSY BODY LATCH; ECO HANDLE TYPE,1A DOOR	SA	1
5-1-1	3	B077	DE66-00231A	LATCH BODY; 0.8 CHIC,PP,WHITE,PP MU30HP(V	SA	1
5-1-2	3	B048	3405-001034	SWITCH-MICRO; 125/250VAC,16A,200gf,SPST-N	SA	1
5-1-3	3	B046	3405-001032	SWITCH-MICRO; 125/250VAC,16A,200gf,SPDT,T	SA	1
5-1-4	3	S0021	3405-001116	SWITCH-MICRO; 125/250VAC,1A,200gf,SPST-NO	SA	1
5-1-5	3	B010	DE66-00093A	LEVER SWITCH-A; NC2000,PP,HT44,GRAY,HANDL	SA	1
5-1-6	3	B011	DE66-00094A	LEVER SWITCH-B; NC2000,PP,TB53,NTR,HANDLE	SA	1
5-2	2		DE96-00865D	ASSY WIRE HARNESS-MAIN; MG23K3515AS/EC,0.	SA	1
6	1	M015	DE96-00385E	CBF-POWER CORD; AT,EUROPE,EU3S,,,,Gray,11	SA	1
7	2	M036	4713-001524	LAMP-INCANDESCENT; 22x53,BK,20,230,CLEAR,	SA	1
8	2	M035	OM75P(31)ESGN	ASSY-MGT; ASSY-MGT		1
9	2	M436	DE47-20009A	THERMOSTAT; 125/250V,15/7.5A,150,60,NORMA	SA	1
10	2	M037	DE63-00651A	COVER AIR; 0.7ECO PLATFORM,GI-SGCC,T0.4	SA	1
11	2	M042	DE91-70061C	ASSY H.V.FUSE; THV060T,5KV,700mA,SCREW,BL	SA	1
12	2	M034	DE67-00272A	COUPLER; CE73JD,PPS,BROWN,XP2140C,GIANT,0	SA	1
13	2	M051	DE71-00159A	COVER-CEILING; CN2835,MICA SHEET,T0.3,W11	SA	1

No.	Lvl.	Loc.	Material Code	Description & Specification	SNA	Qty.
14	2	M451	DE47-20032B	THERMOSTAT; 125/250V,15/7.5A,85,75,NORMAL	SA	1
15	2	M049	DE31-10154D	MOTOR AC DRIVE; 8Pole,21V,50/60Hz,200mA,3	SA	1
16	2	M040	DE61-01263A	BRACKET-HVC; 0.7ECO PLATFORM,EGI-SECC,T0.	SA	1
17	2	M048	DE61-01262E	BASE PLATE; 0.7/0.8 ECO PLATFORM,GI-SGCC,	SNA	1
18	2	P021	DE63-00008J	CUSHION SPONGE; PU FOAM,PUT-FOAM,T4,W8,L1	SNA	1
19	2	M047	DE61-01585A	FOOT; 0.7/0.8 ECO SOLO/GRILL,RUBBER,BLACK	SA	1
20	1	P141	DE94-02322D	ASSY CAVITY-COATING; 0.8 CU.FT,GE83XR,0.8	SNA	1
20-1	2	Z778	DE94-02324D	ASSY CAVITY-WELDING; 0.8 ECO FIXED GRILL,	SNA	1
21	1		DE94-02439E	ASSY ACCESSORY PARTS; MUSE3 0.8 GRILL	SNA	1
21-1	2	F535	DE97-00193D	ASSY GUIDE ROLLER; RE-C21AW,PPS,PTEF,15.5	SA	1
21-2	2	T030	DE74-70071D	RACK WIRE; 0.7/NC2000,MSWR-SWRM,PI3,D230,	SA	1
21-3	2		DE69-00191A	PAD-RACK; CE2877N,CB	SNA	1
22	2	T001	DE74-20102D	TRAY COOKING; G643C-1(3RD-0.6),GLASS,T6,-	SA	1
23	2	H024	DE60-30016A	NUT FLANGE; MSWR-SWRM,MSWR10	SNA	2
24	2	M038	DE26-00144A	TRANS H.V; SHV-EURO4-1,230V,2370V/3.50V,A	SA	1
25	2	M039	2501-001011	C-OIL HIGH VOLTAGE; 910nF,2100V,BK,34x54x	SA	1
26	2	M527	DE59-00002A	DIODE-H.V; MWO,2CL4512H/CL04-12A,500mA,12	SA	1

2. Assy Door

Exploded View



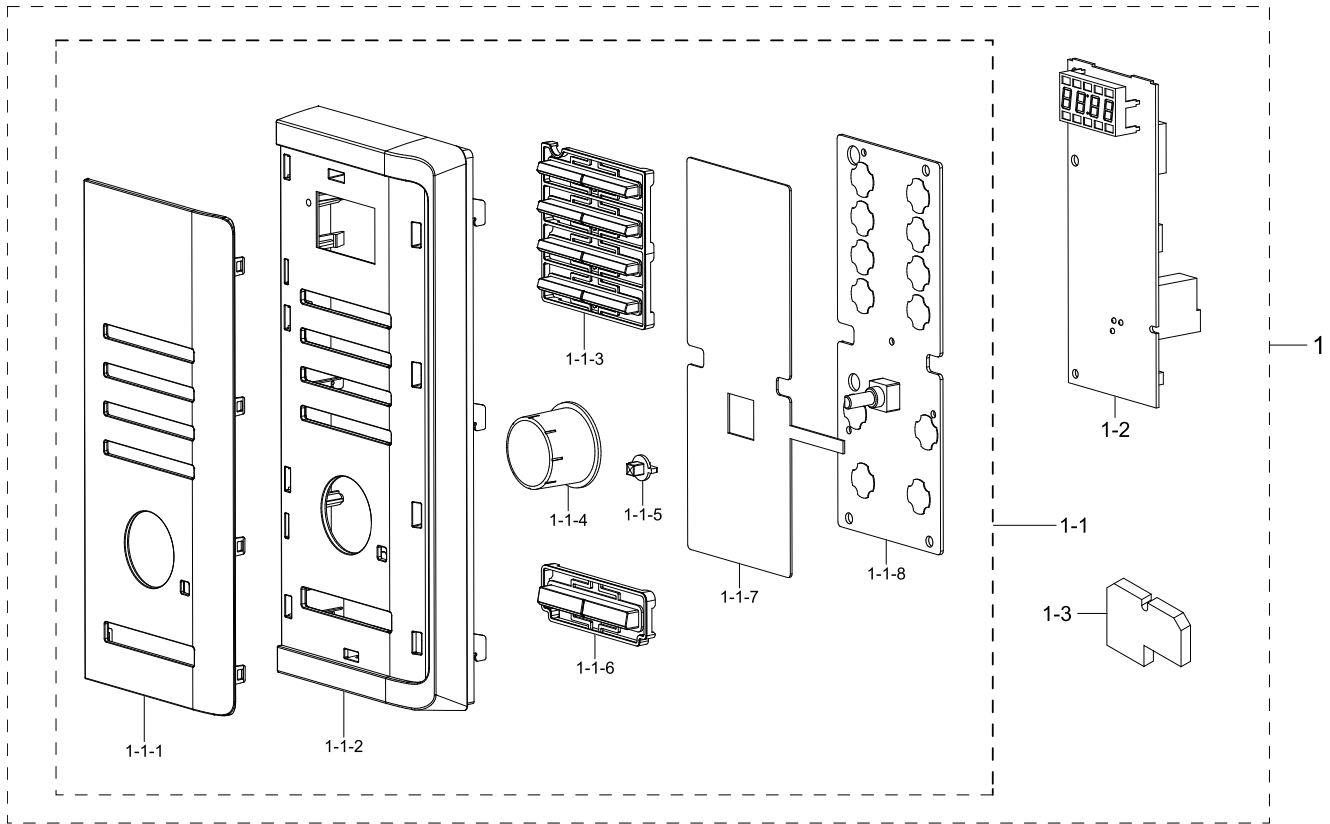
Parts List

No.	Lvl.	Loc.	Material Code	Description & Specification	SNA	Qty.
1	1	D049	DE94-03555G	ASSY DOOR; MG23K3515AS/EC,ABS,SILVER,HAIR	SA	1
1-1	2	D037	DE94-03556G	ASSY DOOR A; MG23K3515AS/EC,ABS,SILVER,HA	SNA	1
1-1-1	3	D147	DE63-00830A	COVER HANDLE; MW3500K,ABS,HB,GE BLACK,HG-	SNA	1
1-1-2	3	D019	DE64-02903A	HANDLE DOOR; MW3500K,ABS,HG-0760SR,HB,GE	SNA	1
1-1-3	3	D003	DE64-02904D	SCREEN DOOR; MG23K3515AS/EC,SAN,CR-5381,B	SNA	1
1-1-4	3	D002	DE64-02905A	DOOR A; MW3500K,ABS,HB,HG-0760SR,GE BLACK	SNA	1
1-2	2	D004	DE94-02262C	ASSY DOOR E-COATING; MW73B/XEF,EGI-SECC T	SA	1

No.	Lvl.	Loc.	Material Code	Description & Specification	SNA	Qty.
1-3	2	D006	DE64-02354A	DOOR C; 0.7ECO PLATFORM,PP,-,HB,T332,BLAC	SNA	1
1-4	2	D005	DE64-00221E	FILM DOOR; -,CE2877N,PET,T0.15,W143,L264,	SNA	1
1-5	2	D007	DE61-00193A	SPRING-KEY; MW1255,HSWR-SWRH,PI0.6,D5.5,L	SNA	1
1-6	2	D011	DE64-02430A	DOOR-KEY; 0.8 Chic,POM,BLACK,Chic project	SA	1

3. Assy Control

Exploded View



Parts List

No.	Lvl.	Loc.	Material Code	Description & Specification	SNA	Qty.
1	1	C082	DE94-03554E	ASSY CONTROL BOX; MG23K3515AS/EC,230V/50H	SNA	1
1-1	2	C001	DE94-03553E	ASSY CONTROL PANEL; MG23K3515AS/EC,SILVER	SA	1
1-1-1	3		DE63-00831D	COVER PANEL; MG23K3515AS/EC,SAN,HB,BLACK	SNA	1
1-1-2	3		DE64-02906A	PANEL CONTROL; MG23K3575AS/EN,ABS,HB,HG-0	SNA	1
1-1-3	3		DE64-02732A	BUTTON SELECT-A; 0.8 MUSE3,ABS,GE BLACK,T	SA	1
1-1-4	3	C025	DE64-02710B	KNOB; MW3500K,ABS,GE BLACK	SNA	1
1-1-5	3		DE64-02691B	BUTTON SELECT-B; MC32F606T(1.1CELLO),ABS,	SA	1
1-1-6	3	C035	DE64-02709A	BUTTON-CLOCK; MC32F604T,ABS,HB,GE BLACK	SA	1
1-1-7	3	C107	DE01-00286A	FILM BOARD; MUSE3 TACT,AL,T0.12,W74,L182,	SNA	1

No.	Lvl.	Loc.	Material Code	Description & Specification	SNA	Qty.
1-1-8	3	C084	DE96-01021A	ASSY KEY MODULE; MG23F302TAS,DKM-MS23T-00	SA	1
1-2	2	F316	DE92-03942G	ASSY PCB MAIN; RCS-SMS3L-382,MW3500K-PJT,	SA	1
1-3	2	C058	DE63-00302A	CUSHION-PCB; PU FOAM,T5.0,W102,L78,BLACK,	SNA	1