
5. Exploded Views and Parts List

[Material Code Standards]

Material codes and names and their respective naming rules are managed in accordance with the prescribed standards.

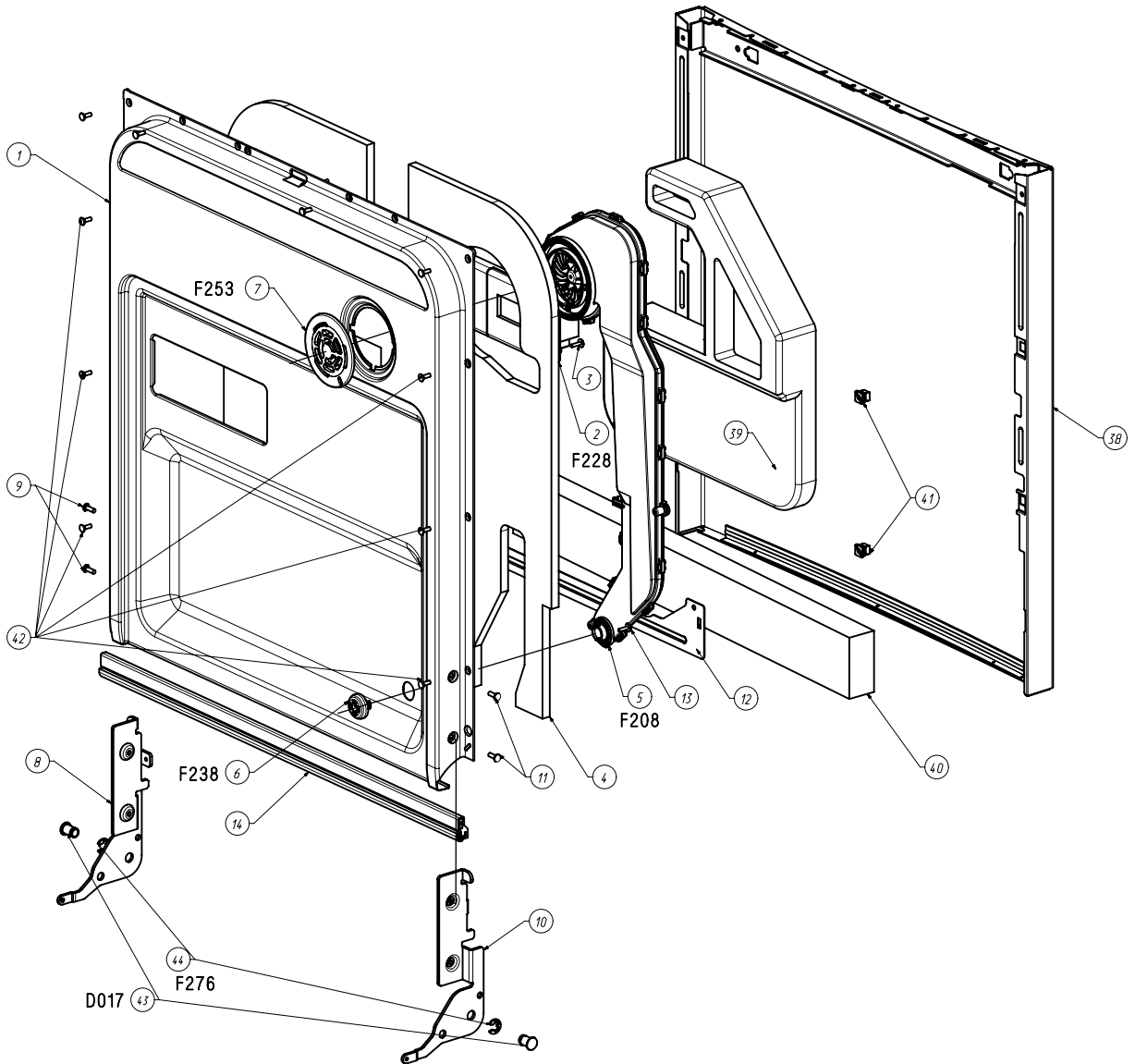
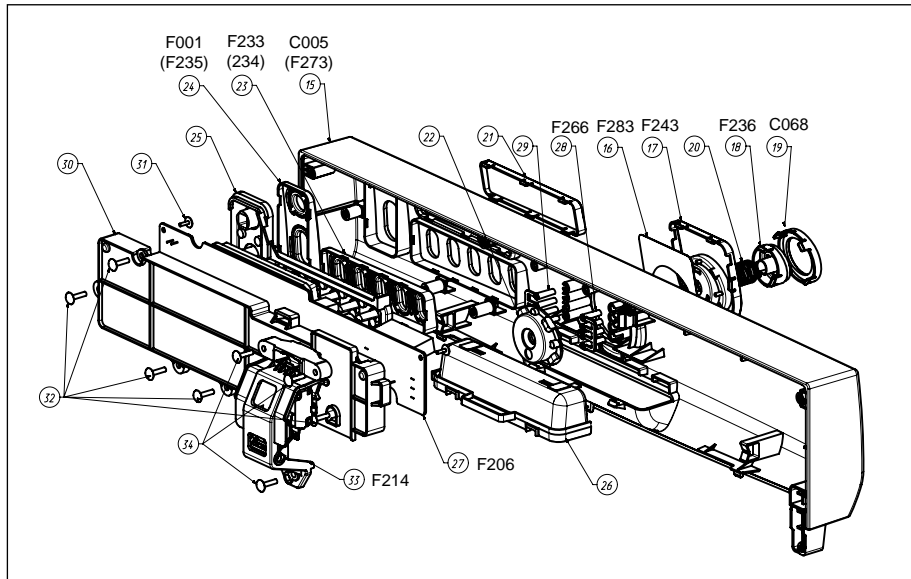
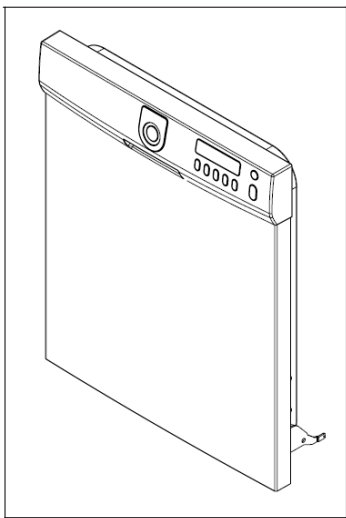
Please refer to these standards when requesting a material.

Material Code Type

Type 1: ●●●●●● - ●●●●●● ex) 51224-10000 CONTROL PANEL (F/S)

(●: Number)

5-2. DOOR ASS'Y (DMS500,400,300,301TR*)



▶ MODEL CODE: DMS500,400,300,301TR*

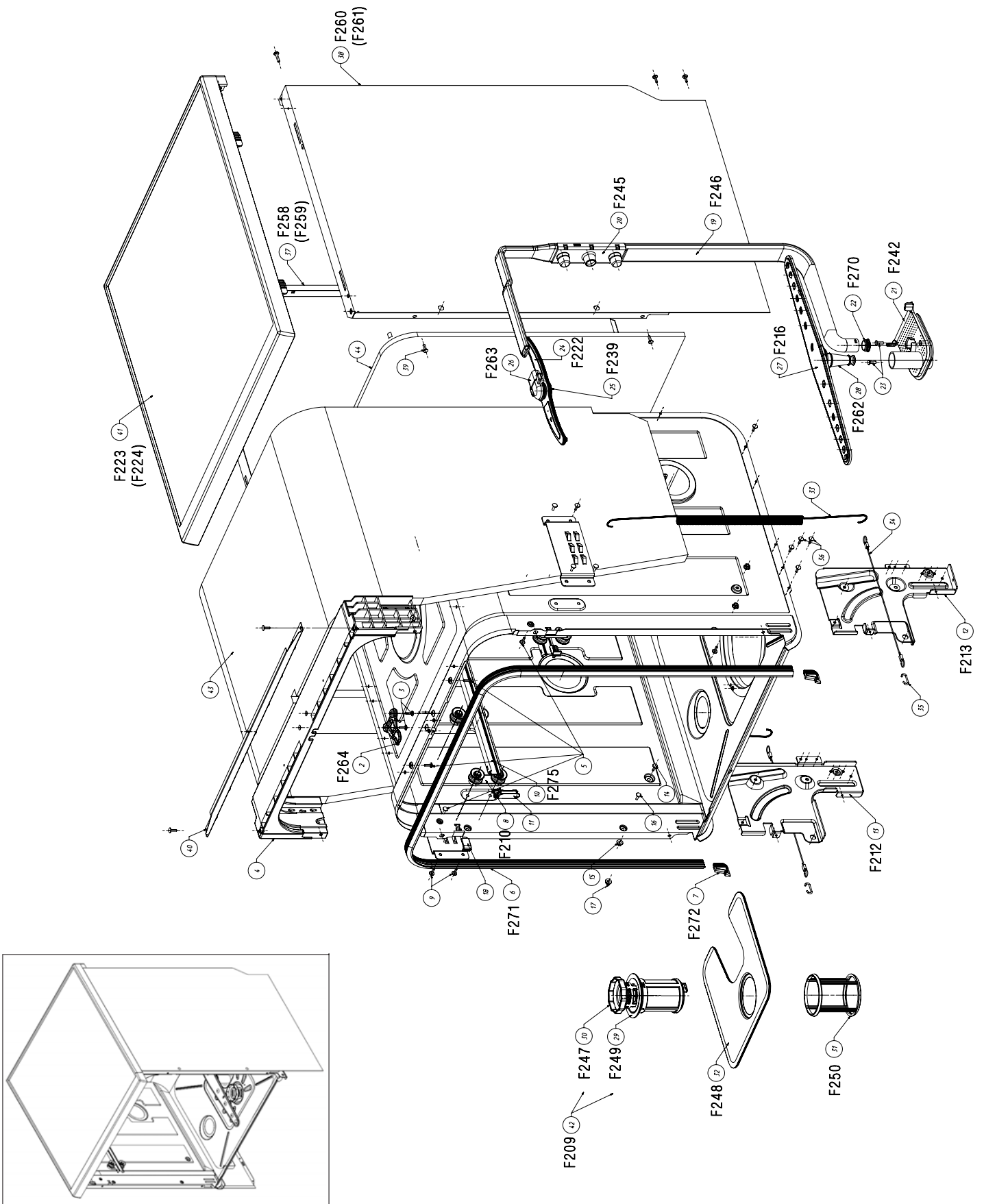
Service Bom : DOOR PART

NO.	LOCATION CODE	TY- PART NO.	SS-PART NO	PART NAME	SPEC	Q'TY	Status	REMARK
1		5121718401		INNER DOOR (SS-FS)	STS304	1	'SNA'	
2	F228	2220009700	DD81-01229A	DISPENSER (Aweco)	A/S-DISPENSER;DMS400TRW/XFA,DMS400TUB/XE	1	'SA'	
3		3200074010		SCREW TAPPING 2중(TRS 4*10)-3가	ROHS	6	'SNA'	
4		5122480000		FELT INNER DOOR(10T_600g)	FELT / 600g	1	'SNA'	DMS500TR* DMS400TR*
		5120952200		FELT INNER DOOR	FELT / 300g	1	'SNA'	DMS300TR* DMS301TR*
5	F208	5122458000	DD82-01013A	FAN ASS'Y(NEW,응축형)	A/S ASSY-FAN;DMS400TRW/XFA,DMS400TUB/XEO	1	'SA'	
6	F238	5122163100	DD81-01230A	FAN DUCT CAP	CAP-FAN DUCT;DMS400TRW/XFA,DMS400TUB/XEO	1	'SA'	
7	F253	5122466000	DD81-01231A	FAN HOLDER	HOLDER-FAN;DMS400TRW/XFA,DMS400TUB/XEO,F	1	'SA'	
8		5120821400		HINGE RIGHT(ZN,CR3+)	SCP/2.9T	1	'SNA'	
9		3010005008		SCREW MACHINE(PAN 5*8)	ROHS	2	'SNA'	
10		5120822400		HINGE LEFT(ZN,CR3+)	SCP/2.9T	1	'SNA'	
11		3010005008		SCREW MACHINE(PAN 5*8)	ROHS	2	'SNA'	
12		5122462000		HINGE BRACKET	GI/0.8T	1	'SNA'	
13		3200074008		SCREW TAPPING 2중(TRS 4*8)-3가	ROHS	2	'SNA'	
14		5122092000		DOOR SEAL PACKING(TPE)	TPE	1	'SNA'	
15	C005	5122410100	DD81-01234A	CONTROL PANEL(FS-WH)	PANEL-CONTROL;DMS400TRW/XFA,FS,CONTROL P	1	'SA'	DMS*TRW
	F273	5122410300	DD81-01258A	CONTROL PANEL(FS-SL)	PANEL-CONTROL SILVER;DMS400TUB,FBI,CONTR	1	'SA'	DMS*TRS
	C005	5122410400	DD81-01264A	CONTROL PANEL(FS-WH_ICON)	PANEL-CONTROL	1	'SA'	DMS*TRW/XEO,XEU
	F273	5122410500	DD81-01265A	CONTROL PANEL(FS-SL_ICON)	PANEL-CONTROL	1	'SA'	-
	C005	5122410600	DD81-01289A	CONTROL PANEL(FS-WH)_호주형	PANEL-CONTROL	1	'SA'	DMS*TRW/XSA
	F273	5122410700	DD81-01290A	CONTROL PANEL(FS-SL)_호주형	PANEL-CONTROL	1	'SA'	DMS*TRS/XSA
16	F283	5122420000	DD81-01251A	SHEET PROGRAM	SHEET-PROGRAM;DMS400TRW/XFA,FS,SHEET PRO	1	'SA'	
17	F243	5122411000	DD81-01252A	COVER PROGRAM	COVER-PROGRAM;DMS400TRW/XFA,FS,COVER PRO	1	'SA'	
18	F236	5122412100	DD81-01235A	BUTTON PROGRAM-도금	BUTTON-PROGRAM;DMS400TRW/XFA,FS,BUTTON P	1	'SA'	
19	C068	5122413100	DD81-01236A	BUTTON RING-도금	BUTTON-RING;DMS400TRW/XFA,FS,BUTTON RING	1	'SA'	
20		5122414000		SPRING BUTTON	STS	1	'SNA'	
21		5122416000		COVER DISPLAY	PC(3022R-SMOKE(B)	1	'SNA'	
22		5122421000		PAD BUTTON	SILICONE	1	'SNA'	
23	F233	5122415100	DD81-01237A	BUTTON FUNCTION-WH	BUTTON-FUNCTION;DMS400TRW/XFA,FS,BUTTON	1	'SA'	DMS*TRW
	F234	5122415300	DD81-01259A	BUTTON FUNCTION-SL	BUTTON-FUNCTION SILVER;DMS400TRS,FS,BUTT	1	'SA'	DMS*TRS
24	F001	5122417100	DD81-01238A	BUTTON POWER-WH	BUTTON-POWER;DMS400TRW/XFA,FS,BUTTON POW	1	'SA'	DMS*TRW
	F235	5122417300	DD81-01260A	BUTTON POWER-SL	BUTTON-POWER;DMS400TRW/XFA,FS,BUTTON POW	1	'SA'	DMS*TRS
25		5122422000		PAD BUTTON PROGRAM	SILICONE	1	'SNA'	
26		5122418000		COVER HANDLE	ABS	1	'SNA'	
27	F206	2581068000	DD82-01015A	PCB ASS'Y_DISPLAY_FS캠트로닉스	A/S ASSY-DISPLAY PCB;DMS400TRW/XFA,FS,PC	1	'SA'	
28	F266	2280050000	DD81-01239A	CUSTOM LED_RIGHT_FS	LED-CUSTOM;DMS400TRW/XFA,FS,CUSTOM LED_R	1	'SA'	
29		2280049000		CUSTOM LED_LEFT_FS		1	'SNA'	
30		5122419000		HOUSING DISPLAY PCB -FS	ABS(5VA)	1	'SNA'	
31		3410373008		SCREW TAP TITE(PAN 3*8/W)-3가	ROHS	2	'SNA'	
32		3200074012		SCREW TAPPING 2중(TRS 4*12)-3가	ROHS	5	'SNA'	
33	F214	5122467000	DD82-01016A	LATCH ASS'Y(VDE)	A/S ASSY-LATCH;DMS400TRW/XFA,DMS400TUB/X	1	'SA'	
34		3200074012		SCREW TAPPING 2중(TRS 4*12)-3가	ROHS	1	'SNA'	
35		3120004012		SCREW TAPPING 1중(FLT 4*12)	ROHS	3	'SNA'	
36		2300077000		DISPLAY PCB MAIN(450mm)		4	'SNA'	
37		2300078000		LEAD WIRE DISPLAY PCB(DMS)		1	'SNA'	
38		5122423100		OUTER DOOR ASS'Y-FS(WH)	CESPIV0.75T	1	'SNA'	
39		5122426000		PAD-OUTER DOOR(SS)	EPS	1	'SNA'	
40		5122482000		FOAM OUT DOOR_FS	FOAM	1	'SNA'	
41		5121115000		SPEED NUT	NYLON	4	'SNA'	
42		3120004012		SCREW TAPPING 1중(FLT 4*12)	ROHS	6	'SNA'	
43	D017	5120120005	DD81-01232A	HINGE PIN	PIN-HINGE;DMS400TRW/XFA,DMS400TUB/XEO,FS	2	'SA'	
44	F276	5120258000	DD81-01233A	E-RING B	RING-DOOR E;DMS400TRW/XFA,DMS400TUB/XEO,	2	'SA'	
45	F202	5122409000	DD82-01014A	CONTROL PANEL ASS'Y(FS_WH)	A/S ASSY-CONTROL PANEL;DMS400TRW/XFA,FS,	1	'SA'	DMS*TRW
	F204	5122409100	DD82-01026A	CONTROL PANEL ASS'Y(FS-SL)	A/S ASSY-CONTROL PANEL SILVER;DMS400TUB,	1	'SA'	DMS*TRS
	F202	5122409200	DD82-01032A	CONTROL PANEL ASS'Y(FS_WH_ICON)	A/S ASSY-CONTROL PANEL	1	'SA'	DMS*TRW/XEO
	F204	5122409300	DD82-01033A	CONTROL PANEL ASS'Y(FS-SL_ICON)	A/S ASSY-CONTROL PANEL	1	'SA'	-
	F202	5122409400	DD82-01041A	CONTROL PANEL ASS'Y(FS-WH)_호주형	A/S ASSY-CONTROL PANEL	1	'SA'	DMS*TRW/XSA
	F204	5122409500	DD82-01042A	CONTROL PANEL ASS'Y(FS-SL)_호주형	A/S ASSY-CONTROL PANEL	1	'SA'	DMS*TRS/XSA

XSG : MIDDLE EAST (UAE,KUWEIT.)
XTR : TURKEY
XFA : SOUTH AFRICA
XEC : SPAIN,PORTUGAL
XEU : UNITHD KINGDOM

XEO : POLAND,HUNGARY,SLOVAKIA
XSA : AUSTRALIA
XET : ITALY
XEF : FRANCE
ELE : GREECE(CYPRUS)

5-3. TUB ASS'Y (DMS500,400,300,301TR*)



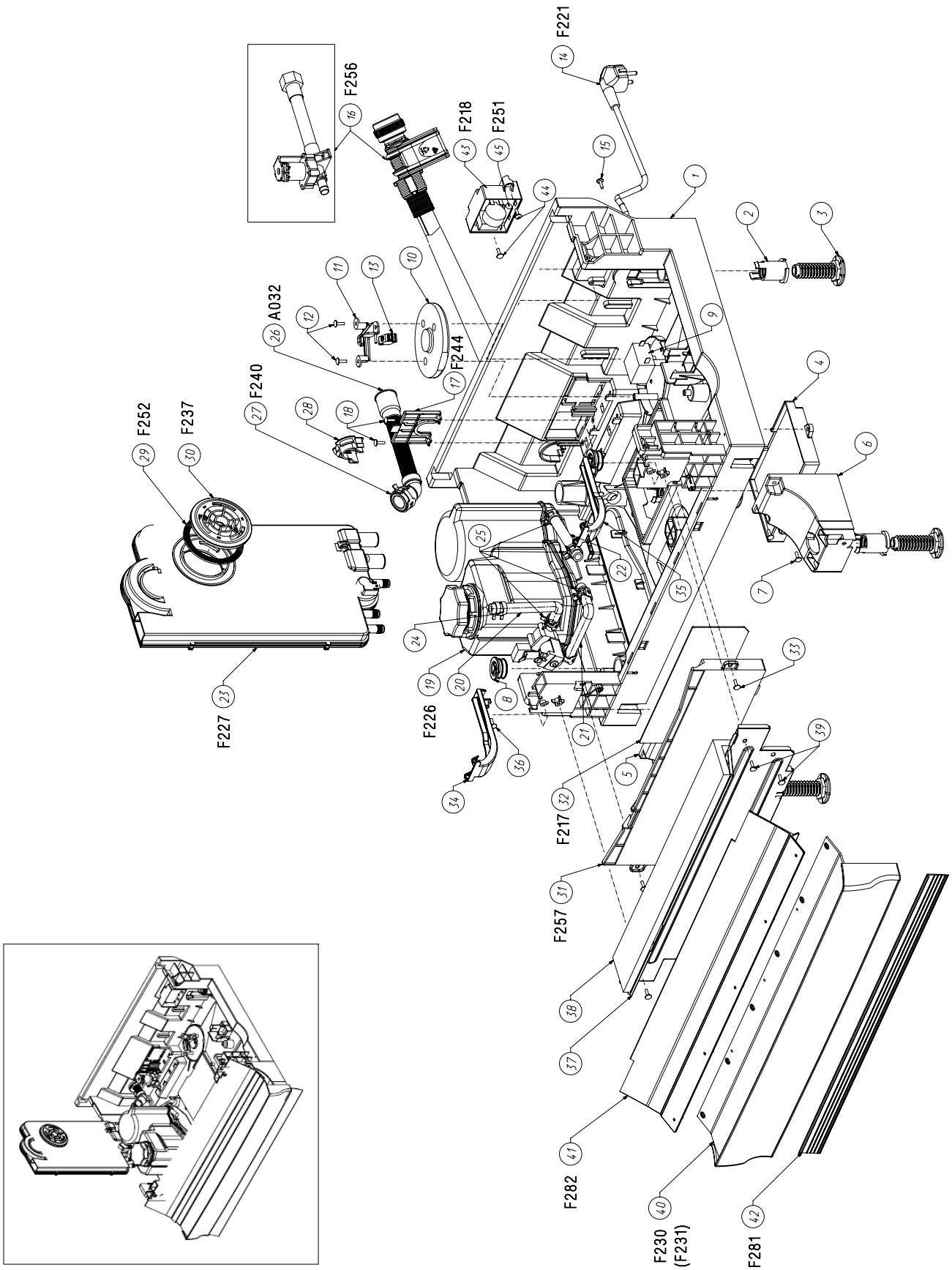
▶ MODEL CODE: DMS500,400,300,301TR*

Service Bom : TUB PART

NO.	LOCATION CODE	TY- PART NO.	SS-PART NO	PART NAME	SPEC	Q'TY	Status	REMARK
1		5121801501		TUB ASS'Y(SS)	ASS'Y	1	'SNA'	
		5121801600		TUB ASS'Y(SS)_호주형	ASS'Y	1	'SNA'	*XSA
2	F264	5122178001	DD81-01193A	LATCH PLATE	LATCH-PLATE;DMS400TRW/XFA,DMS400TUB/XEO,	1	'SA'	
3		3220005012		SCREW TAPPING 2중(FLT 5*12)	ROHS	2	'SNA'	
4		5122177100		TUB SUPPORTER	PP(GP3300-E1935(GRAY))	1	'SNA'	
5		3250004010		SCREW TAPPING 2중(BIN 4*10)	ROHS	4	'SNA'	
6	F271	5122502000	DD81-01194A	TUB SEAL PACKING	PACKING-TUB SEAL;DMS400TRW/XFA,DMS400TUB	1	'SA'	
7	F272	5122498000	DD81-01195A	TUB SEAL PACKING BOTTOM	PACKING-TUB SEAL BOTTOM;DMS400TRW/XFA,DM	2	'SA'	
8	F210	5120922300	DD82-01001A	GUIDE RAIL ROLLER ASS'Y(GRAY)	A/S ASSY-GUIDE RAIL ROLLER;DMS400TRW/XFA	4	'SA'	
9		3200374010		SCREW TAPPING 2중(TRS 4*10/W)-3개	ROHS	8	'SNA'	
10	F275	5120923102	DD81-01196A	GUIDE RAIL - 2201/3200	RAIL-GUIDE;DMS400TRW/XFA,DMS400TUB/XEO,F	2	'SA'	
11		5122523000		RACK ROLLER STOPPER(GRAY)	PP(GP3300-E1935(GRAY))	4	'SNA'	
12	F213	5121880201	DD82-01002A	HINGE FRAME-R ASS'Y(5201B)-3개	A/S ASSY-HINGE FRAME-R;DMS400TRW/XFA,DMS	1	'SA'	
13	F212	5121881201	DD82-01003A	HINGE FRAME-L ASS'Y(5201B)-3개	A/S ASSY-HINGE FRAME L;DMS400TRW/XFA,DMS	1	'SA'	
14		5120602001		SCREW ASS'Y	ASS'Y	2	'SNA'	
15		4210070016		NUT HEX-3개	ROHS	2	'SNA'	
16		3050004012		SCREW MACHINE(BIN 4*12 STS)	ROHS	4	'SNA'	
17		4210070015		NUT HEX-3개	ROHS	2	'SNA'	
18		5122123100		DOOR GUIDE	NYLON66/GRAY	2	'SNA'	
19	F246	5120805100	DD81-01203A	MANIFOLD ELBOW ASSY	ELBOW-MANIFOLD;DMS400TRW/XFA,DMS400TUB/X	1	'SA'	
20	F245	5121841100	DD81-01204A	MANIFOLD ELBOW HOLDER	ELBOW-HOLDER;DMS400TRW/XFA,DMS400TUB/XEO	1	'SA'	
21	F242	5121829100	DD81-01205A	DISTRIBUTOR COVER	COVER-DISTRIBUTOR;DMS400TRW/XFA,DMS400TU	1	'SA'	
22	F270	5122513000	DD81-01206A	PACKING MAINFOLD	PACKING-MANIFOLD;DMS400TRW/XFA,DMS400TUB	1	'SA'	
23		3250004012		SCREW TAPPING 2중(BIN 4*12 SUS)	ROHS	2	'SNA'	
24	F222	5121806100	DD82-01005A	TOP ROTOR ASSY	A/S ASSY-TOP ROTOR;DMS400TRW/XFA,DMS400T	1	'SA'	
25	F239	5121847100	DD81-01207A	TOP ROTOR CAP	CAP-TOP ROTOR;DMS400TRW/XFA,DMS400TUB/XE	1	'SA'	
26	F263	5121846100	DD81-01208A	TOP ROTOR JOINT	JOINT-TOP ROTOR;DMS400TRW/XFA,DMS400TUB/	1	'SA'	
27	F216	5121275500	DD82-01006A	LOWER ROTOR ASS'Y	A/S ASSY-LOWER ROTOR;DMS400TRW/XFA,DMS40	1	'SA'	
28	F262	5121839200	DD81-01209A	LOWER ROTOR JOINT	JOINT-LOWER ROTOR;DMS400TRW/XFA,DMS400TU	1	'SA'	
29	F249	5121838100	DD81-01210A	MICRO FILTER INNER	FILTER-INNER;DMS400TRW/XFA,DMS400TUB/XEO	1	'SA'	
30	F247	5122471000	DD81-01240A	COARSE FILTER(VDE)	FILTER-COARSE;DMS400TRW/XFA,DMS400TUB/XE	1	'SA'	
31	F250	5121837000	DD81-01197A	MICRO FILTER OUTER	FILTER-OUTER;DMS400TRW/XFA,DMS400TUB/XEO	1	'SA'	
32	F248	5121855002	DD81-01198A	FINE FILTER	FILTER-FINE;DMS400TRW/XFA,DMS400TUB/XEO,	1	'SA'	
33		5120099201		HINGE SPRING(5000,6000)	HSWR	2	'SNA'	
34		5120587400		ROPE DOOR DAMPER(NT2)	ROHS	2	'SNA'	
35		5122531000		SPRING CONNECTOR(FS-3개)	HSWR	2	'SNA'	
36		3400174008		SCREW TAP TITE(TRS 4*8/W)-3개	ROHS	2	'SNA'	
37	F258	5120803501	DD81-01199A	HOUSING-L P/W (6201)	HOUSING-LEFT;DMS400TRW/XFA,DMS400TUB/XEO	1	'SA'	DMS*TRW
	F259	5120803600	DD81-01255A	HOUSING-L (F/S,PCM,SS)	HOUSING-LEFT P/W SILVER;DMS400TRW/XFA,FS		'SA'	DMS*TRS
38	F260	5120802501	DD81-01200A	HOUSING-R P/W (6201)	HOUSING-RIGHT;DMS400TRW/XFA,DMS400TUB/XE	1	'SA'	DMS*TRW
	F261	5120802600	DD81-01256A	HOUSING-R (F/S,PCM,SS)	HOUSING-RIGHT P/W SILVER;DMS400TRW/XFA,F		'SA'	DMS*TRS
39		3150004012		SCREW TAPPING 2중(BIN 4*12)	ROHS	4	'SNA'	
40		5120940003		TOP BRACKET	SCP/0.8T	1	'SNA'	
41	F223	5121331401	DD82-01007A	TOP TABLE ASS'Y(SS-WH)	A/S ASSY-TOP TABLE;DMS400TRW/XFA,FS,TOP	1	'SA'	DMS*TRW
	F224	5121331500	DD82-01025A	TOP TABLE ASS'Y(SS-SL)	A/S ASSY-TOP TABLE SILVER;DMS400TRS,FS,A	1	'SA'	DMS*TRS
42	F209	5121887100	DD82-01004A	FILTER ASS'Y-N	A/S ASSY-FILTER;DMS400TRW/XFA,DMS400TUB/	1	'SA'	
43		5122478000		FELT TOP(FS-20T_600g)	FELT_600g	1	'SNA'	DMS500TR* DMS400TR*
		5121120001		FELT TOP - B	FELT_300g	1	'SNA'	DMS300TR* DMS301TR*
44		5122479000		FELT BACK(10T_600g)	FELT_600g	1	'SNA'	DMS500TR* DMS400TR*

XSG : MIDDLE EAST (UAE,KUWEIT.) XEO : POLAND,HUNGARY,SLOVAKIA
XTR : TURKEY XSA : AUSTRALIA
XFA : SOUTH AFRICA XET : ITALY
XEC : SPAIN,PORTUGAL XEF : FRANCE
XEU : UNITHD KINGDOM XEL : GREECE(CYPRUS)

5-4. BASE ASS'Y (DMS500,400,300,301TR*)



▶ **MODEL CODE: DMS500,400,300,301TR***

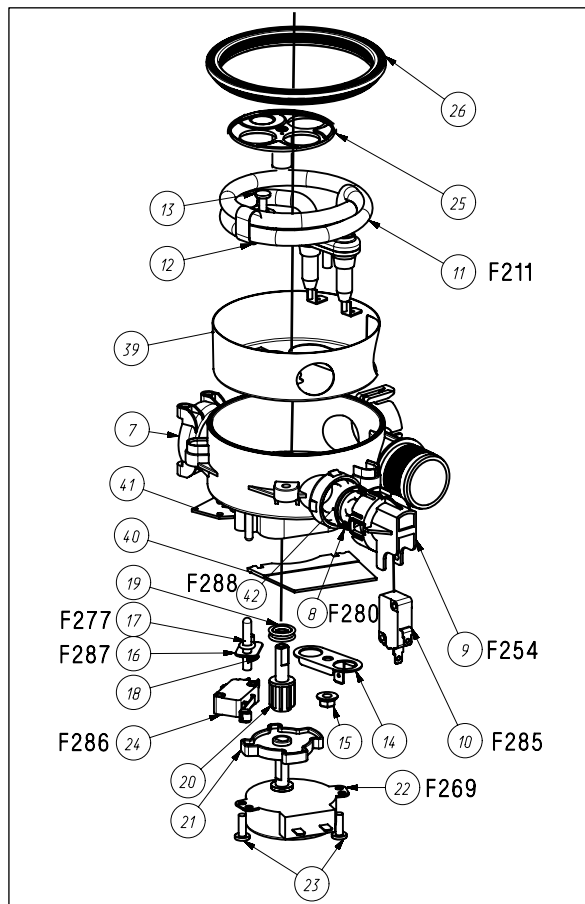
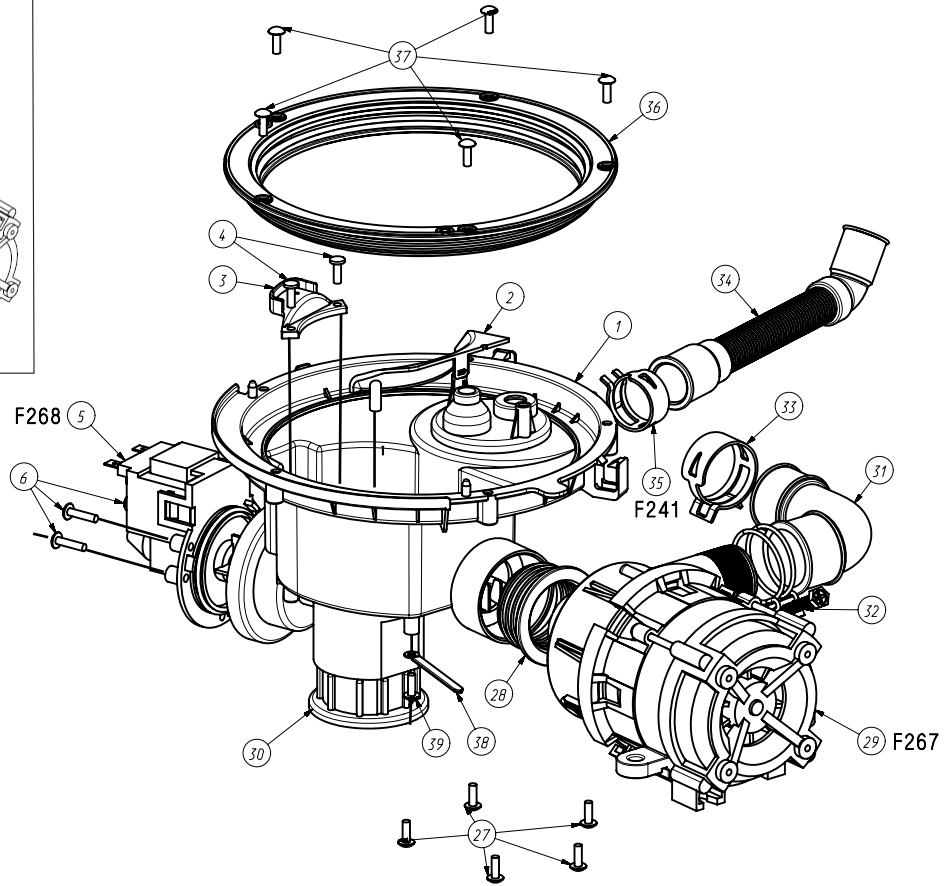
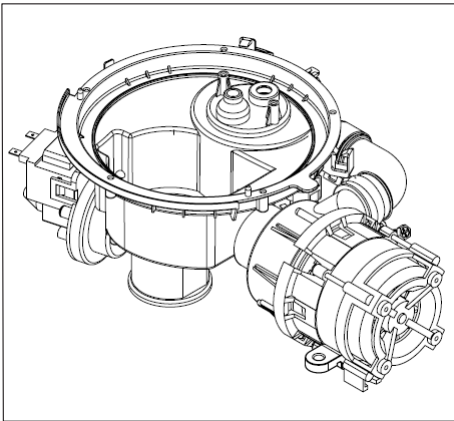
Service Bom : BASE PART

NO.	LOCATION CODE	TY- PART NO.	SS-PART NO	PART NAME	SPEC	Q'TY	Status	REMARK
1		5121811101		BASE PANEL	PP(LGGP3300A-E0156)	1	'SNA'	
2		5121818001		LEVELLER HOLDER	PP(S-1353-530,GRAY)	4	'SNA'	
3		5121817003		LEVELLER	PP(S-1353-530,GRAY)	4	'SNA'	
4		5121812000		BASE COVER	PP(S-1353-530,GRAY)	1	'SNA'	
5		5121813200		FRONT LEG-L	POM(F20-03/N109-LDS)	1	'SNA'	
6		5121814200		FRONT LEG-R	POM(F20-03/N109-LDS)	1	'SNA'	
7		3200074016		SCREW TAPPING 2총(TRS 4*16)-3가	ROHS	2	'SNA'	
8		5122476000		BASE RUBBER	NBR	2	'SNA'	DMS500TR*
9		2030058500		CAPACITOR(450VAC_2.5μF_P2)	450VAC_2.5μF_P2	1	'SNA'	
10		5121118000		FLOAT S/W PAD	EPS	1	'SNA'	
11		5121119000		FLOAT S/W BRACKET	PP(HF3308C-BJ05)	1	'SNA'	
12		3100074012		SCREW TAPPING 1총(TRS 4*12)-3가	ROHS	2	'SNA'	
13		2160034100		MICRO SWITCH	250V 0.1A, 50E4, T130	1	'SNA'	
14	F221	2370024000	DD82-01008A	POWER CORD ASS'Y(SAMSUNG_EU)	A/S ASSY-POWER CORD EU;DMS400TRW/XFA,DMS	1	'SA'	*HAC,*XEF *XEO,*XTR
		2370029000	DD82-01038A	POWER CORD ASS'Y(SAMSUNG_호주향)	POWER CORD ASS'Y 3X1.5mm*2_XSA	1	'SA'	*XSA
		2370026000	DD82-01028A	POWER CORD ASS'Y(남아공)	POWER CORD ASS'Y 3X1.5mm*2_XFA	1	'SA'	*XFA
		2370027000	DD82-01029A	POWER CORD ASS'Y(영국향)	POWER CORD ASS'Y 3X1.5mm*2_UK	1	'SA'	*XSG,*XEU
15		3200074012	SCREW TAPPING 2총(TRS 4*12)-3가	ROHS	1	'SNA'		
16	F256	2220015100	DD81-01211A	ELECTRICAL SAFETY HOSE(Invensys)	HOSE-SAFETY;DMS400TRW/XFA,DMS400TUB/XEO,F	1	'SA'	DMS500TR* DMS400TR*
		5123040000	DD82-01031A	INLET HOSE ASS'Y	A/S ASSY-STANDARD INLET HOSE	1	'SA'	DMS300TR*
		2220014000	DD81-01263A	ONE WAY VALVE	VALVE-STANDARD ONE WAY	1	'SA'	DMS301TR*
17	F244	5121815101	DD81-01212A	INLET VALVE COVER	COVER-VALVE;DMS400TRW/XFA,DMS400TUB/XEO,	1	'SA'	
18		3200074012	SCREW TAPPING 2총(TRS 4*12)-3가	ROHS	2	'SNA'		
19	F226	5121896300	DD82-01009A	WATER SOFTENER ASS'Y (Aweco)	A/S ASSY-WATER SOFTENER;DMS400TRW/XFA,DM	1	'SA'	Except : *XSA
20		5122529000		AIR BREAK HOSE(INLET)	SILICON	1	'SNA'	Except : *XSA
21		5121886201		AIR BREAK HOSE(OUTLET)	SILICON	1	'SNA'	Except : *XSA
22		5121886101		INLET HOSE(180)	EPDM	1	'SNA'	Except : *XSA
23	F227	5121804101	DD82-01010A	AIR BREAK WELDING ASS'Y-수출	A/S ASSY-WELDING;DMS400TRW/XFA,DMS400TUB	1	'SA'	
		5121804001	DD82-01039A	AIR BREAK WELDING ASS'Y-내수	A/S ASSY-WELDING	1	'SA'	*XSA
24		5120944300		BAND SPRING CLAMP φ14	ROHS	1	'SNA'	
25		5120944650		BAND SPRING CLAMP φ13	ROHS	1	'SNA'	
26	A032	5121874100	DD81-01213A	DRAIN HOSE(3000mm)	HOSE-DRAIN;DMS400TRW/XFA,DMS400TUB/XEO,F	1	'SA'	
27	F240	5120944600	DD81-01214A	BAND SPRING CLAMP φ22	CLAMP-BAND SPRING;DMS400TRW/XFA,DMS400TU	1	'SA'	
28		5121816001		DRAIN HOSE HOLDER	POM	1	'SNA'	
29	F252	5120464003	DD81-01215A	AIR VENT GASKET	GASKET-AIR VENT;DMS400TRW/XFA,DMS400TUB/	1	'SA'	
30	F237	5121834100	DD81-01216A	AIR BREAK CAP	CAP-AIR VENT;DMS400TRW/XFA,DMS400TUB/XEO	1	'SA'	
31	F257	5122499000	DD81-01253A	MAIN PCB HOUSING(SS)	HOUSING-DISPLAY PCB;DMS400TRW/XFA,FS,HOU	1	'SA'	
32	F217	2581066000	DD82-01011A	PCB ASS'Y MAIN-FS	A/S ASSY-MAIN PCB;DMS400TRW/XFA,DMS400TU	1	'SA'	
		2581066020	DD82-01040A	MAIN PCB ASS'Y ; (S400 FS&FBI)	A/S ASSY-MAIN PCB	1	'SA'	*XSA
33		3200074010		SCREW TAPPING 2총(TRS 4*10)-3가	ROHS	2	'SNA'	
34		5122483000		OVERFLOW GUIDE L	PP(H1500,투명)	1	'SNA'	
35		5122484000		OVERFLOW GUIDE R	PP(H1500,투명)	1	'SNA'	
36		3100074012		SCREW TAPPING 1총(TRS 4*12)-3가	ROHS	2	'SNA'	
37		5122472000		FRONT FRAME	SECC/0.65T	1	'SNA'	
38		5122481000		FELT FRONT	FELT/600g	1	'SNA'	DMS500TR*
39		3100074012		SCREW TAPPING 1총(TRS 4*12)-3가	ROHS	6	'SNA'	
40	F230	5121339300	DD81-01217A	PLINTH FACIA(SS-WH)	A/S-PLINTH FACIA;DMS400TRW/XFA,PLINTH FA	1	'SA'	DMS*TRW
	F231	5121339500	DD81-01257A	PLINTH FACIA(SS-SL)	A/S-PLINTH FACIA SILVER;DMS400TRS,PLINTH	1	'SA'	DMS*TRS
41	F282	5122473000	DD81-01218A	PLINTHFACIA TOP RUBBER	RUBBER-PLINTH FACIA TOP;DMS400TRW/XFA,FS	1	'SA'	
42	F281	5122474000	DD81-01219A	PLINTHFACIA LOWER RUBBER	RUBBER-PLINTH FACIA LOWER;DMS400TRW/XFA,	1	'SA'	DMS500TR*
43	F218	5122538000	DD82-01022A	NOISE FILTER ASS'Y	A/S ASSY-NOISE FILTER;DMS400TRW/XFA,DMS4	1	'SA'	
44		3200074012		SCREW TAPPING 2총(TRS 4*12)-3가	ROHS	2	'SNA'	
45	F251	2241501000	DD81-01249A	NOISE FILTER FUSE(15A)	FUSE-MAIN;DMS400TRW/XFA,DMS400TUB/XEO,FS	1	'SA'	

XSG : MIDDLE EAST (JAE,KUWEIT.)
 XTR : TURKEY
 XFA : SOUTH AFRICA
 XEC : SPAIN,PORTUGAL
 XEU : UNITHD KINGDOM

XEO : POLAND,HUNGARY,SLOVAKIA
 XSA : AUSTRALIA
 XET : ITALY
 XEF : FRANCE
 ELE : GREECE(CYPRUS)

5-5. SUMP ASS'Y (DMS500,400,300,301TR*)



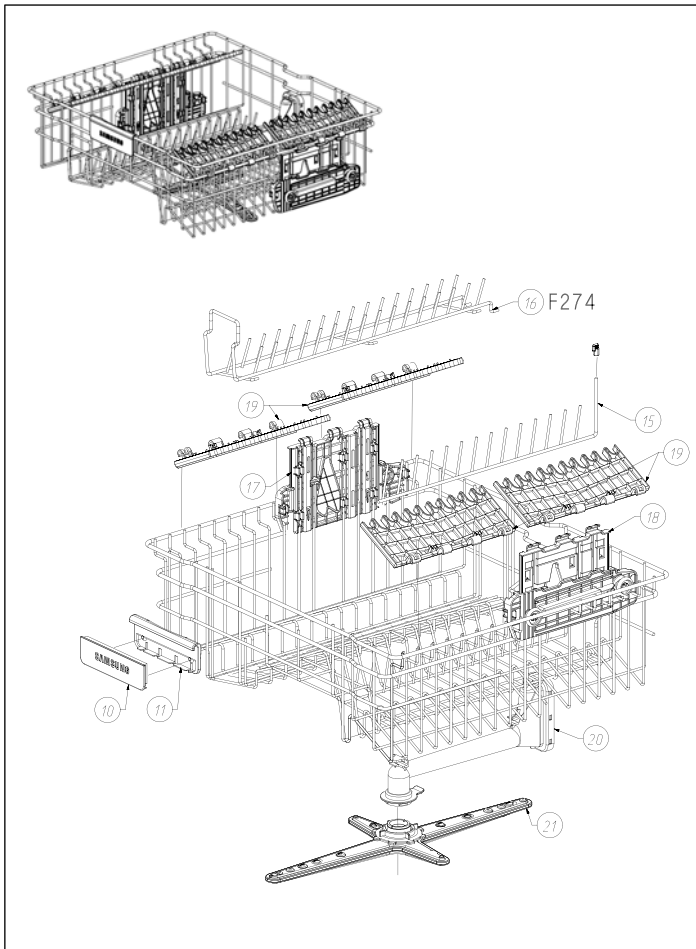
▶ **MODEL CODE: DMS500,400,300,301TR***

Service Bom : SUMP PART

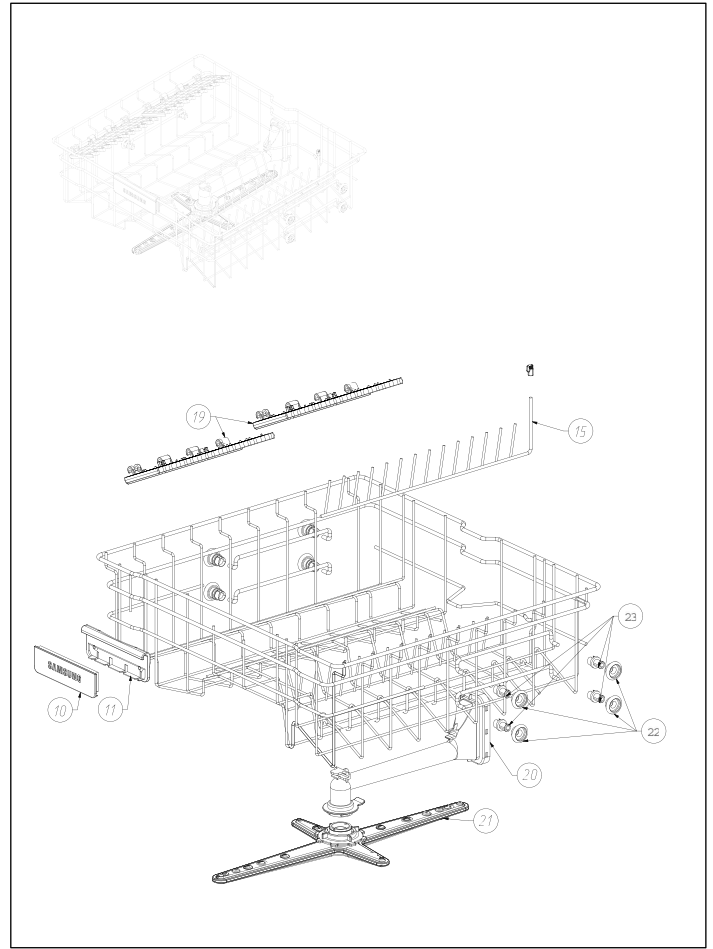
NO.	LOCATION CODE	TY- PART NO.	SS-PART NO	PART NAME	SPEC	Q'TY	Status	REMARK
1		5121820201		SUMP(수출/LGPP)	PP(S-1353-530,GRAY)	1	'SNA'	
		5121820004		SUMP	PP(GP3156F-EJ43(D/GRAY))	1	'SNA'	*XSA
2		5121821000		C-PUMP COVER	PP(S-1353-530,GRAY)	1	'SNA'	
3		5121822000		D-PUMP COVER	PP(S-1353-530,GRAY)	1	'SNA'	
4		3250004012		SCREW TAPPING 2중(BIN 4*12 SUS)	ROHS	2	'SNA'	
5	F268	2190008040	DD81-01220A	DRAIN PUMP(12인용-수출)-AL	MOTOR-DRAIN;DMS400TRW/XFA,DMS400TUB/XEO,	1	'SA'	
6		3100174018		SCREW TAPPING 2중(TRS 4*18)-3가	ROHS	3	'SNA'	
7		5121824300		HEATER HOUSING-1/2유,난연	PP(GP3156F-EJ43(D/GRAY))	1	'SNA'	
8	F280	5122519000	DD81-01221A	HPS DIAPHRAME-OUTTER	RUBBER-HPS DIAPHRAME OUTTOR;DMS400TRW/XF	1	'SA'	
9	F254	5122522000	DD81-01222A	HPS HOLDER-N	HOLDER-HPS;DMS400TRW/XFA,DMS400TUB/XEO,F	1	'SA'	
10	F285	2169000050	DD81-01223A	MICRO SWITCH(16A)	SWITCH-HPS;DMS400TRW/XFA,DMS400TUB/XEO,F	1	'SA'	
11	F211	2210022000	DD82-01012A	HEATER ASS'Y	A/S ASSY-HEATER;DMS400TRW/XFA,DMS400TUB/	1	'SA'	
12		5121857000		HEATER HOLDER	STS304	1	'SNA'	
13		3250004012		SCREW TAPPING 2중(BIN 4*12 SUS)	ROHS	1	'SNA'	
14		5121858001		HEATER EARTH BKT	STS304	1	'SNA'	
15		4210000018		NUT HEX	ROHS	1	'SNA'	
16	F287	2330004000	DD81-01224A	THERMISTOR	THERMISTOR-HEATER;DMS400TRW/XFA,DMS400TU	1	'SA'	
17	F277	5120620100	DD81-01225A	O-RING(P4)	RING-SUMP O;DMS400TRW/XFA,DMS400TUB/XEO,	1	'SA'	
18		3200074010		SCREW TAPPING 2중(TRS 4*10)-3가	ROHS	1	'SNA'	
19		5121866000		DISTRIBUTOR SHAFT SEAL	SILICON	1	'SNA'	
20		5121827000		DISTRIBUTOR SHAFT	POM(F20-03/N109-LDS)	1	'SNA'	
21		5121826000		DISTRIBUTOR DISK	POM(F20-03/N109-LDS)	1	'SNA'	
22	F269	2190021000	DD81-01226A	SYNCHRONOUS MOTOR	MOTOR-SYNCHRONOUS;DMS400TRW/XFA,DMS400TUB	1	'SA'	
23		3210074012		SCREW TAPPING 2중(PAN 4 * 12)-3가	ROHS	2	'SNA'	
24	F286	2160042001	DD81-01250A	MICRO SWITCH	SWITCH-SYNCHRONOUS;DMS400TRW/XFA,DMS400TU	1	'SA'	
25		5121825002		DISTRIBUTOR	POM(F20-03/N109-LDS)	1	'SNA'	
26		5121868002		HEATER HOUSING SEAL	EPDM	1	'SNA'	
27		3200074014		SCREW TAPPING 2중(TRS 4*14)-3가	ROHS	5	'SNA'	
28		5121862000		C-PUMP INLET SEAL	EPDM	1	'SNA'	
29	F267	2190022300	DD81-01227A	CIRCULATION PUMP(20t_125W)	MOTOR-CIRCULATION;DMS400TRW/XFA,DMS400TU	1	'SA'	
		2190022400	DD81-01280A	CIRCULATION PUMP(25t_107W)	MOTOR-CIRCULATION;DMS400TRW/XEU,DMS400TU	1	'SA'	*XEU,*XSA
30		5121863000		C-PUMP DAMPER	EPDM	1	'SA'	
31		5121865100		C-PUMP OUTLET HOSE	EPDM	1	'SNA'	
32		5121099000		BOUBLE WIRE SCREW CLAMP Φ40	ROHS	1	'SNA'	
33		5120944000		BAND SPRING CLAMP	ROHS	1	'SNA'	
34		5121874000		DRAIN HOSE(330mm)	PP+NBR	1	'SNA'	
35	F241	5120944100	DD81-01228A	BAND SPRING CLAMP Φ27	CLAMP-BAND SPRING;DMS400TRW/XFA,DMS400TU	1	'SA'	
36		5121860000		SUMPGASKET	NBR	1	'SNA'	
37		3200004018		SCREW TAPPING 2중(TRS 4*18)	ROHS	5	'SNA'	
38		5230277000		RATAIL COIL		1	'SNA'	
39		3200074010		SCREW TAPPING 2중(TRS 4*10)-3가	ROHS	1	'SNA'	
40		5122535000		SHEET HEATER HOUSING	PC SHEET	1	'SNA'	
41		5122539000		SHEET HEATER HOUSING-MS	PC SHEET	1	'SNA'	
42	F288	5122536000	DD81-01261A	HPS DIAPHRAME-INNER	PAD-HPS DIAPHRAME;DMS400TRS/DMS400TUB,FS	1	'SA'	

XSG : MIDDLE EAST (UAE,KUWEIT) XEO : POLAND,HUNGARY,SLOVAKIA
 XTR : TURKEY XSA : AUSTRALIA
 XFA : SOUTH AFRICA XET : ITALY
 XEC : SPAIN,PORTUGAL XEF : FRANCE
 XEU : UNITHD KINGDOM ELE : GREECE(CYPRUS)

5-6. ASSY-RACK (DMS500,400,300,301TR*)

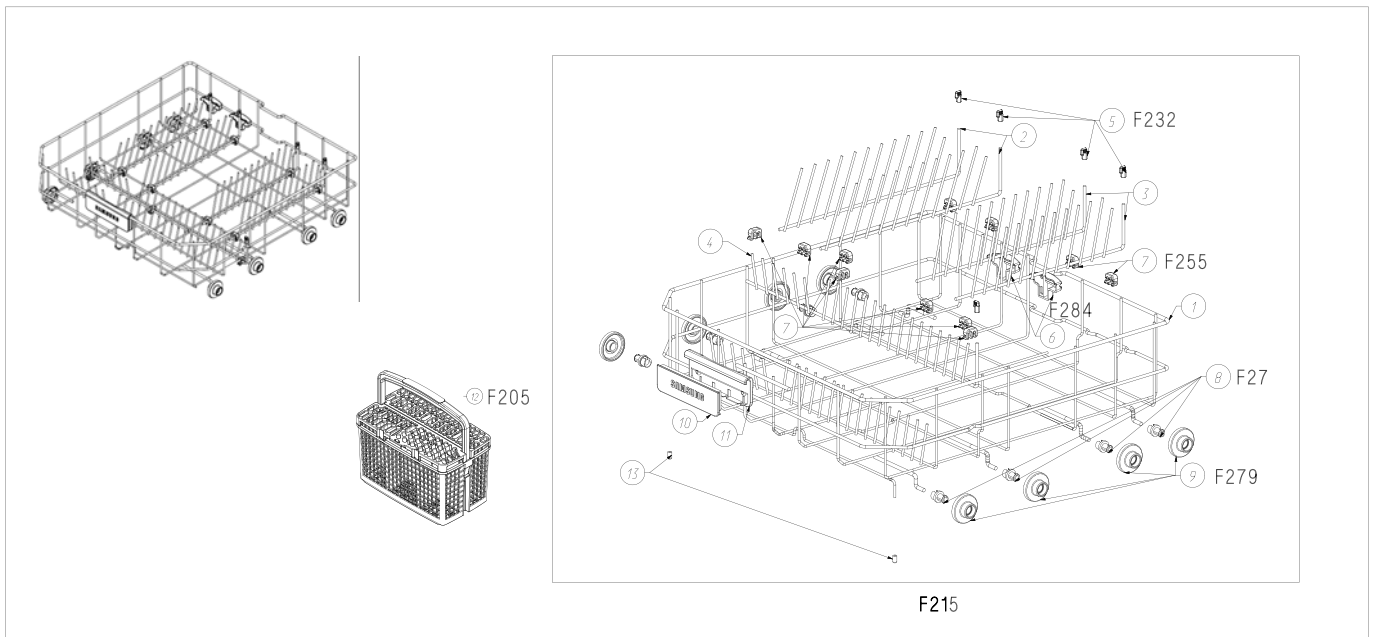


(DMS500,400,301TR*)



(DMS300TR*)

F225



(DMS*TR*)

► **MODEL CODE: DMS500,400,300,301TR***
Service Bom : RACK PART

NO.	LOCATION CODE	TY- PART NO.	SS-PART NO	PART NAME	SPEC	Q'TY	Status	REMARK
1	F215	5122435000	DD82-01020A	LOWER RACK ASS'Y(SS)	A/S ASSY-LOWER RACK;DMS400TRW/XFA,DMS400	1	'SA'	
2		5122507000		LOWER RACK INSERT-1	MSWR6	2	'SNA'	
3		5122508000		LOWER RACK INSERT-2	MSWR6	2	'SNA'	
4		5122509000		LOWER RACK INSERT-3	MSWR6	1	'SNA'	
5	F232	5122439000	DD81-01244A	WIRE TINE	A/S-WIRE TINE;DMS400TRW/XFA,WIRE TINE,DM	4	'SA'	
6	F284	5122449000	DD81-01245A	INSERT STOPPER	STOPPER-INSERT;DMS400TRW/XFA,DMS400TUB/X	2	'SA'	
7	F255	5122450000	DD81-01246A	INSERT HOLDER	HOLDER-INSERT;DMS400TRW/XFA,DMS400TUB/XE	11	'SA'	
8	F278	5120878300	DD81-01247A	RACK ROLLER HUB-GRAY	ROLLER-HUB;DMS400TRW/XFA,DMS400TUB/XEO,F	8	'SA'	
9	F279	5120888800	DD81-01248A	LOWER RACK ROLLER-GRAY	ROLLER-LOWER RACK;DMS400TRW/XFA,DMS400TU	8	'SA'	
10		5122447000		RACK HANDLE UPPER	PP+TALC30%	1	'SNA'	
11		5122448000		RACK HANDLE LOWER	PP+TALC30%	1	'SNA'	
12	F205	5122453000	DD82-01021A	CUTRELY BASEKT ASS'Y	A/S ASSY-CUTRELY BASEKT;DMS400TRW/XFA,DM		'SA'	
13		5122439000		WIRE TINE	POM	1	'SNA'	
14	F225	5122434000	DD82-01019A	UPPER RACK ASSY' (SS)	A/S ASSY-UPPER RACK;DMS400TRW/XFA,DMS400	1	'SA'	DMS500TR+ DMS400TR+ DMS301TR+
		5122434100	-	UPPER RACK ASSY' (SS-HEBA2)			'SA'	DMS300TR+
15		5122515000		UPPER RACK INSERT PIN	MSWR6	1	'SNA'	
16	F274	5122437000	DD81-01242A	UPPER RACK INSERT	RACK-UPPER INSERT;DMS400TRW/XFA,DMS400TU	1	'SA'	DMS500TR+ DMS400TR+ DMS301TR+
17		5122440000		ADJUSTER ASS'Y(L)	ASS'Y	1	'SNA'	DMS500TR+ DMS400TR+ DMS301TR+
18		5122441000		ADJUSTER ASS'Y(R)	ASS'Y	1	'SNA'	DMS500TR+ DMS400TR+ DMS301TR+
19		5122451000		CUP SUPPORT(SS)	PP+TALC30%	4	'SNA'	
20		5121842100		UPPER ROTOR PIPE-ass'Y	PP+TALC30%	1	'SNA'	
21		5121810101		UPPER ROTOR ASSY	PP+TALC30%	1	'SNA'	
22		5120879400		UPPER RACK ROLLER	PP+TALC30%	1	'SNA'	DMS300TR+
23		5120878300		RACK ROLLER HUB-GRAY	PP+TALC30%	1	'SNA'	DMS300TR+

XSG : MIDDLE EAST (UAE,KUWEIT.)
XTR : TURKEY
XFA : SOUTH AFRICA
XEC : SPAIN,PORTUGAL
XEU : UNITHD KINGDOM

XEO : POLAND,HUNGARY,SLOVAKIA
XSA : AUSTRALIA
XET : ITALY
XEF : FRANCE
ELE : GREECE(CYPRUS)