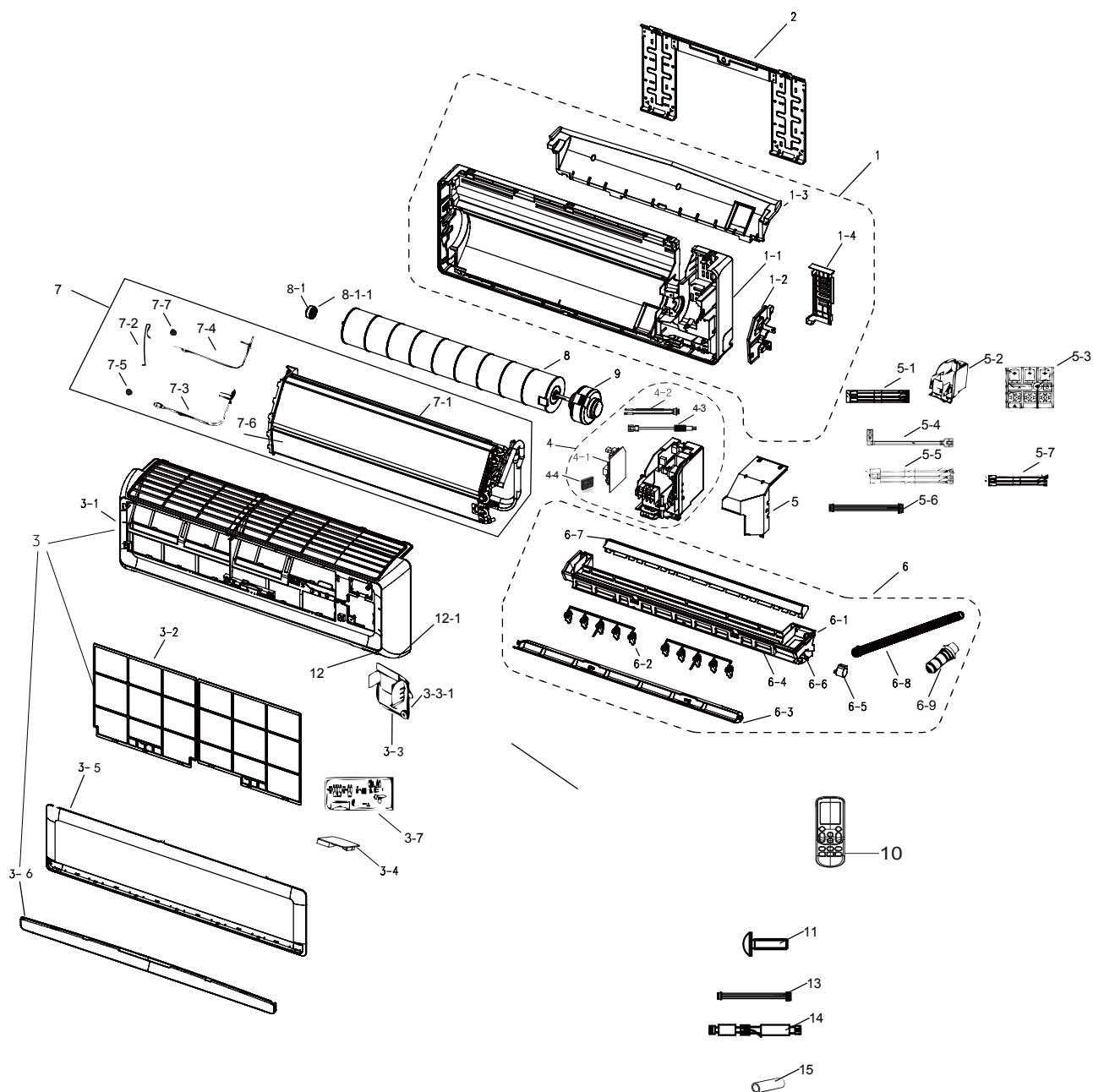


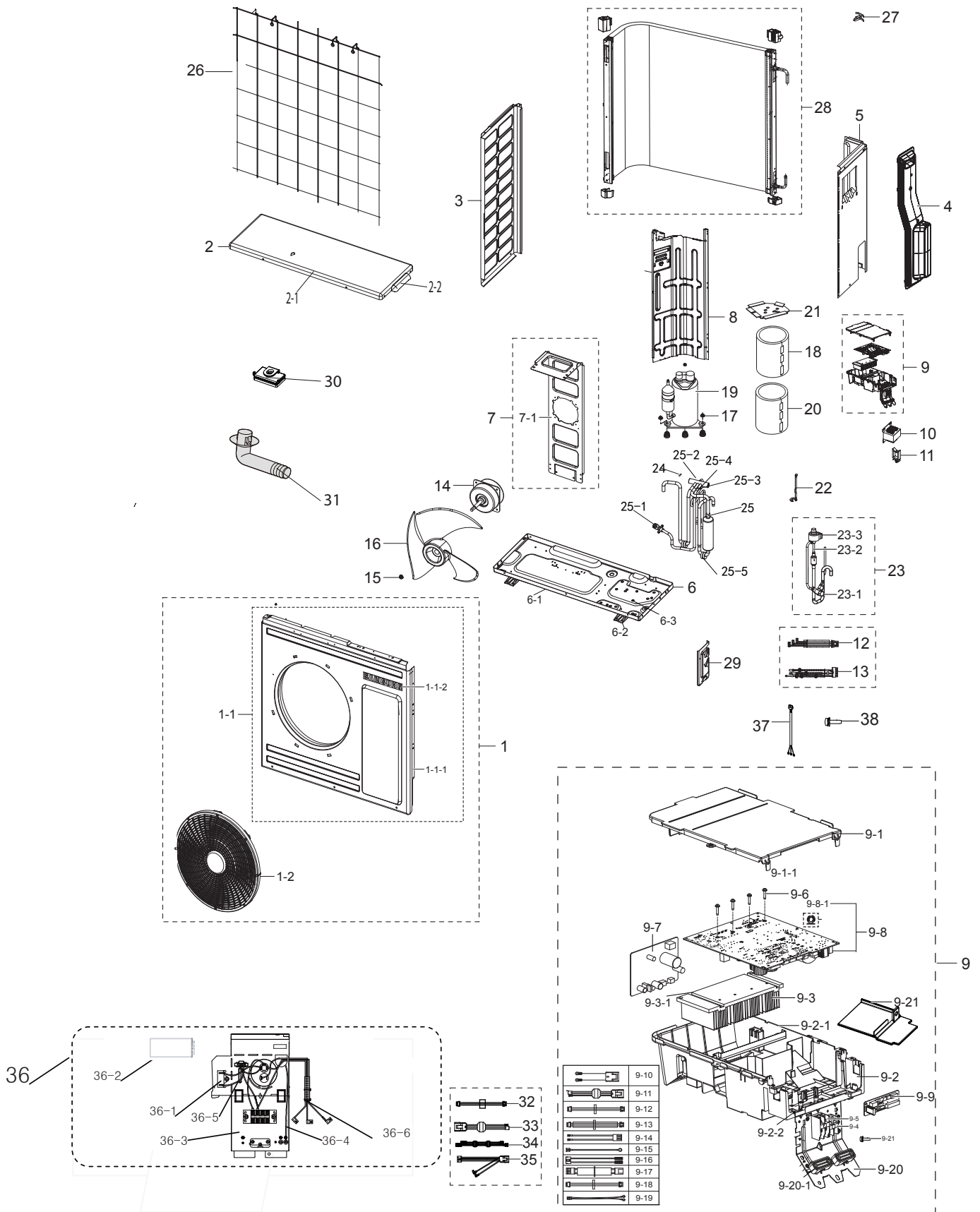
# 1. Exploded Views and Parts List

## 1-1 Indoor Unit



AR18RXPFEWQNEU					
No.	Code No.	Description	Spec.	Q'ty	SA / SNA
1	DB94-03113A	ASSY BACK BODY	N,DA-WHITE,R22,RIGHT,BORACAY 3,NO MPI	1	SA
1-2	DB90-07076A	ASSY-SUPPORT EVAP	VIVALDI 3	1	SA
1-4	DB61-04035A	BRACKET-EVAP	VIVALDI 3,GI-SGCC,T0.8	1	SA
2	DB90-06524A	ASSY HANGER-PLATE	BORACAY_3,GI-SGCC	1	SA
3	DB92-02306P	ASSY PANEL FRONT	Maldives3	1	SA
3-2	DB63-02758F	FILTER AIR-PRE	Maldives 3,PP,LIGHT GRAY,FRAME:PP/ MESH:PET,ETC,Bioc	2	SA
3-4	DB90-06275D	ASSY COVER DISPLAY	Maldives3	1	SA
3-4-1	DB63-02764B	COVER DISPLAY	Maldives3,HIPS,T2,HB,DA WHITE,HI630	1	SA
3-5	DB64-02566C	FASTENER-NUT FLARE	BRASS	1	SA
3-7	DB67-00499D	CAP-SCREW	AR18KC5JDMC/NA,HIPS,T2,-,-,-,-,S834S1,-,-,DA WHITE,-,-	3	SA
3-8	DB93-10861D	ASSY PCB DISPLAY	DISPLAY,72.5*35,5V,5V,-,DISPLAY BORACY, Remocon mo	1	SA
4	DB92-04454H	ASSY KIT	INDOOR,485 INV,N-STD5,NB3,EMI,HP,FJM,Standard	1	SA
4-1	DB92-03467G	ASSY PCB MAIN	MAIN,120*120,Y,220V-240V,5V,12V,15V,9W,RAC,N-STD#9	1	SA
4-2	DB95-05163A	ASSY THERMISTOR IN	200,L400,10Kohm,3%,25C,6phi	1	SA
4-3	DB61-04576B	CASE CONTROL-IN	MALDIVES3-PJT,ABS,T2.5,BLACK,5V-A,884 X01,TSE	1	SA
4-7	DB93-06922C	ASSY CONNECTOR WIRE	9,1007,26,RED,SMH200-09H/WHT,SMH250-09L/WHT,-,150	1	SA
4-9	DB93-10943H	ASSY CONNECTOR WIRE	10,2468,26,RED,SMH200-10H/WHT,SMH200-10H/BLU,-,300	1	SA
5	DB90-04442D	ASSY COVER-PCB	BORACAY,MALDIVES3,SGCC-M	1	SA
5-1	DB95-04339H	ASSY-NOISE ABSORBER	SMH250-02L WHT, UL1007AWG#22 L180mm	1	SA
5-3	DB65-00326A	TERMINAL BLOCK	4P,PBT,300V,25A,36.4x47.0x22.0mm,D4,TAB-SCREW,4P,A	1	SA
5-5	DB93-13688C	ASSY CONNECTOR WIRE-DC SIGNAL	2,1007,24,WHT,25045HP-02B/WHT,SMH200-02H/WHT,-,21	1	SA
5-6	DB93-11237A	ASSY CONNECTOR WIRE-L N	2,1015,18,BRN,YH396-03AV/WHT,179974-1,-,140,UL125°C,	1	SA
5-7	DB93-11217C	ASSY CONNECTOR WIRE-DISPLAY	9,1007,26,RED,SMH200-09H/WHT,25045HP-09/WHT,-,190	1	SA
6	DB94-03548A	ASSY TRAY DRAIN	DA-WHITE,RIGTH,550,N,R22,MALDIVES-3	1	SA
6-1	DB63-01330A	TRAY-DRAIN	Crystal 3 Max 3, Boracay 3, Maldives 3,,HIPS,T2.5,949.5,BL	1	SA
6-2	DB66-01435A	BLADE-V	VIVALDI3.,PP,BLACK	2	SA
6-5	DB31-00370B	MOTOR STEP	DC 12V,650gf.cm,E CLASS,1W,7.5deg,1/85	1	SA
6-8	DB94-02195B	ASSY DRAIN-HOSE	ALL,HOSE DRAIN L550mm	1	SA
6-9	DB73-00180A	RUBBER-CAP DRAIN	SS-PJT,EPDM,T3,PM GRAY,L 40	1	SA
7	DB96-13561A	ASSY EVAP UNIT	VIVALDI3,5X5,5/8"	1	SA
7-2	DB67-60030A	SPRING-SENSOR	WW2-PJT,STS301,0.4mm,T0.4,NONE,W2.7	2	SA
7-5	DB60-30010C	FASTENER-NUT FLARE	BRASS	1	SA
8-1	DB94-00455B	ASSY-RUBBER BEARING	AR18MC5UDMCNNA,ASSY	1	SC
8-1-1	DB94-40007B	ASSY BEARING	G1-PJT,SSEC	1	SC
8-2	DB94-01556B	ASSY FAN CROSS	VIVALDI,SSEC	1	SC
9	DB31-00609A	MOTOR FAN	SIC-41CVJ-F127-1,1450,DC311V,CLASS E	1	SA
10	DB93-15882Q	ASSY WIRELESS REMOCON	ARH-5109,16. 3050 ENG(GOOD),RS-3,ENGLISH,40.0*45.0,°	1	SA
15	DB81-01328A	INSULATION TUBE	PO,T0.5,W8,L70,BLACK	2	SA

# OUTDOOR UNIT



 **Parts List**

<b>AR18RXPFWQXEU</b>					
<b>NO.</b>	<b>Code NO.</b>	<b>Parts Description</b>	<b>Spec.</b>	<b>Quantity</b>	<b>SA/SNA</b>
1	DB90-10972A	ASSY CABI FRONT	NEW Q,F&T	1	SA
1-1-2	DB64-03201C	LOGO	DVM,PVC,T0.1,300,286C,transparent PVC	1	SA
1-2	DB63-03744A	GUARD FAN	AR24NVFPCWKAZ,PP,T2.5,EARTH BROWN	1	SA
2	DB90-05549Q	ASSY COVER	NEW Q480,Water-Spray, GLOBAL	1	SA
2-1	DB63-02368C	COVER TOP	P CHASSIS,GI-SGCC,T0.8,W880,L310	1	SA
2-2	DB64-00967B	HANDLE-OUTDOOR	FAC,PP,T3,W24.8,L110,MT62AW,EARTH BROWN	1	SA
3	DB64-03341A	CABINET SIDE-LF	Q480,GI-SGCC,T0.8	1	SA
3-2	DB90-11327C	ASSY BASE OUT-CUSHION	Q-480 DB90-10979B,39/44 E foot	1	SA
4	DB90-06410C	ASSY COVER-VALVE	F-XS-04,COVER+PLATE	1	SA
5	DB64-03342A	CABINET SIDE-RH	Q480,GI-SGCC,T0.8	1	SA
6	DB90-10979B	ASSY BASE OUT	NEW Q,F&T	1	SA
6-2	DB61-01704B	LEG-BASE	Q480,SGMCC,Superdyma,39/44 E foot	4	SA
6-3	DB60-00479A	FASTENER-BOLT	WW CHASSIS,MSWR10,47.2,NATURAL	3	SA
7	DB90-10971A	ASSY BRACKET MOTOR	NEW Q	1	SA
8	DB94-07223A	ASSY PARTITION	NEW Q,FOR PF2	1	SA
9-1	DB90-09878A	ASSY COVER CONTROL	AR12MSFNJWK/SV,water spray countermeasure	1	SA
9-2	DB61-06722A	CASE CONTROL-OUT	ABS,T2,VICTORY GRAY,ABS2030	1	SA
9-3	DB62-12196B	HEAT SINK	PF2_17S,AI,3,55,142,DUCT,43	1	SA
9-4	DB65-00274A	TERMINAL BLOCK	TERMINAL BLOCK,Polycarbonate, Phenol,AC300V,20A,-,-,-	1	SA
9-5	DB65-00298B	TERMINAL BLOCK	11R RAC-INVERTER,P.B.T + G30,300V,25A min,47*24mm	1	SA
9-7	DB92-04029D	ASSY PCB MAIN	MAIN,RAC_OUT_MAIN,142X48.5mm,N,485COMM,EMI, WI	1	SA
9-8	DB92-04025C	ASSY PCB INVERTER	INVERTER,PF2_17S,142mmX194mm,Y,220V-240V,5V,12V	1	SA
9-11	DB93-09497E	ASSY CONNECTOR WIRE	3,1015,16,RED,MG625040/WHT,DBT061-03P/WHT,-,190,-	1	SA
9-12	DB93-07452B	ASSY CONNECTOR WIRE-DC SIGNAL	8,1007,26,WHT,SMH250-08L/WHT,SMH250-08L/WHT,-,10	1	SA
9-13	DB93-10846A	ASSY CONNECTOR WIRE-4WAY	2,1015,18,SKY,MG620874P/WHT,YH396-03VR/WHT,-,70,-	1	SA
9-14	DB93-16371A	ASSY CONNECTOR WIRE-POWER	2,1015,16,BRN,175022-1,MG630591R/WHT,-,500,-,-,-,TR36	1	SA
9-15	DB93-12121B	ASSY CONNECTOR WIRE-EARTH WIRE	1,1015,18,YEL/GRN,173724-1,ST710197-2,-,240,-,-,-,PE	1	SA
9-16	DB93-16402A	ASSY CONNECTOR WIRE-COMM	2,1007,22,RED,YH396-02V/RED,175020-1,-,250,PVC/BLK,2	1	SA
9-17	DB93-12121C	ASSY CONNECTOR WIRE	1,1015,18,YEL/GRN,ST731079-3,ST710197-2,-,350,-,-,-	1	SA
9-18	DB93-15320A	ASSY CONNECTOR WIRE-REACTOR	2,1015,16,WHT,MG630591R/WHT,MG630591R/WHT,-,350	1	SA
9-19	DB93-12849A	ASSY CONNECTOR WIRE	3,3343,16,YEL,MG610876/WHT,MG634833/WHT,-,250,CB	1	SA
9-20-1	DB61-00250A	HOLDER-WIRE CLAMP	AF25M9970DBX,PA,BLACK,V-0,FR50	2	SA
9-21	DB63-03885A	COVER PCB	PF#2_17S,HIPS,T2,V-0,BLACK	1	SA
9-22	DB91-00933A	ASSY-SCREW MACHINE	MH*, FJM,M3, L12	4	SA
10	DB27-00067A	COIL HARMONIC	5mH,94.5*86*65.1,15A,Screw	1	SA
13	DB32-00257A	SENSOR TEMP	103AT,L700,10kohm	1	SA
14	DB31-00642D	MOTOR BLDC FAN	DB31-00642D,1000rpm,310V,0.15A,40W	1	SA
15	DB60-00437A	FASTENER-NUT FLANGE	SWRCH10A,14,1.2,6	1	SA
16	DB94-07134A	ASSY FAN PROPELLER	AR18NVFHEWK/MG,ASSY	1	SA
17	DB60-30028A	NUT-FLANGE	HWH,M8,ZPC(WHT),SWRCH18A,P1.25/Washer Type(WP)	3	SA
18	DB63-02868B	FELT-COMP SIDE	RC071DHXEA,FELT/PVC,T5+T1.6,280,575	1	SA
19	UB9TK150FE4TS	RCP,COMP,RCP,F,R32		1	-
20	DB63-02522A	FELT-COMP SOUND B	Q,FELT/PVC,T5(FELT)+T1.6(PVC)	1	SA
21	DB63-03458A	FELT-COMP TOP OUT	RAC,FELT/PVC,T5+T1.6	1	SA
22	DB81-00635A	SPRING ETC-SENSOR	DVM-SYSTEM,STS304,R2.5,R4.5,44,0.3,2.0,NONE	2	SA
23	DB96-24050E	ASSY TUBE EEV	AR18RXPXBWK/EU,AR24RXPXBWK/EU,Q480,1.4,R32	1	SA
23-1	DB62-02283A	VALVE SERVICE-SPINDLE	.,1/4",R410A, FLARE	1	SA
23-2	DB62-12123A	VALVE EXPAN	1.3,500	1	SA
23-3	DB62-12213A	VALVE COIL EXPAN	DC12V,COIL,700,15.45,MOLDING	1	SA
24	DB67-60031A	SPRING-RUBBER	STS304,1.4,PII.4,AWD-1000BR	2	SA
25	DB96-24049A	ASSY TUBE 4WAY	N-Q,H/P, F&T, 3150	1	SA
25-1	DB95-04804A	ASSY-SOLENOID	MALDIVES,CONNECT WIRE 4WAY	1	SA
25-2	DB95-01635A	VALVE COIL SOLENOID	AC220-240V,1000,L-Wire	1	SC
25-3	DB62-06847A	VALVE 4WAY	BRASS,2HP,COMMON	1	SA
25-4	DB62-02285A	VALVE SERVICE-SPINDLE	.,BRASS,.,1/2"	1	SA
26	DB63-02471B	GUARD COND	Q CHASSIS,HSWR-SWRH,EARTH BROWN,737,420,3.5mm	1	SA
28	DB96-18249D	ASSY COND BENDING	Q COND,2R,FP1.5,corrugate-fin	1	SA
29	DB61-04136C	BRACKET-VALVE	Q,P CHASSIS,SGMCC,T1.6,W105.8,Superdyma	1	SA
30	DB67-01533A	RUBBER-LEG	All frame,NR,BLACK	4	SA
31	DB67-20011A	DRAIN-PLUG OUT	ASH-1814ER,PP,NATURAL	1	SA
38	6002-000481	SCREW-TAPPING	TH,+,NO,2S,M4.0,L12,NI PLT,SWRCH18A,ZnNi + TOP Coa	31	SA