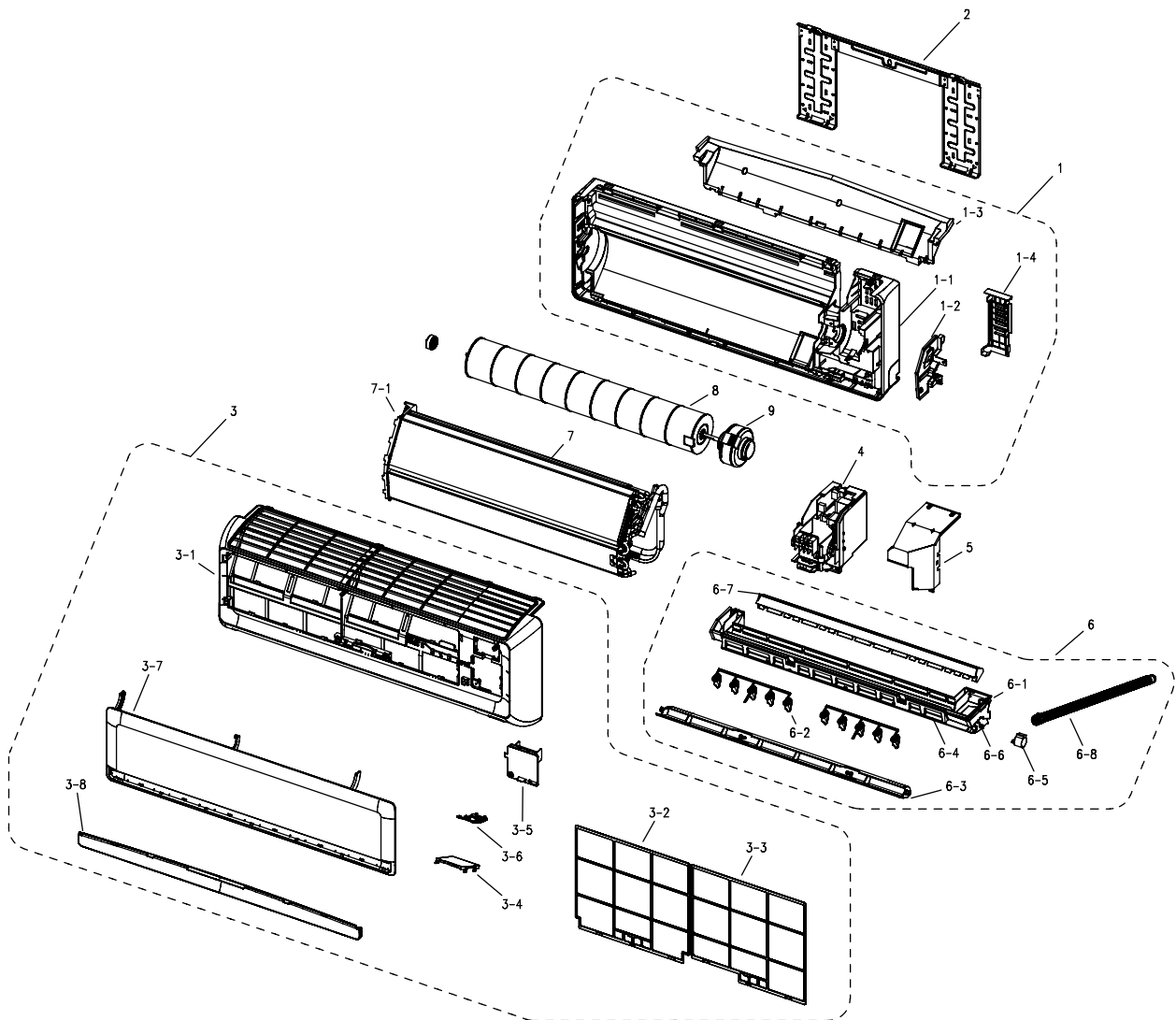


5. Exploded Views and Parts List

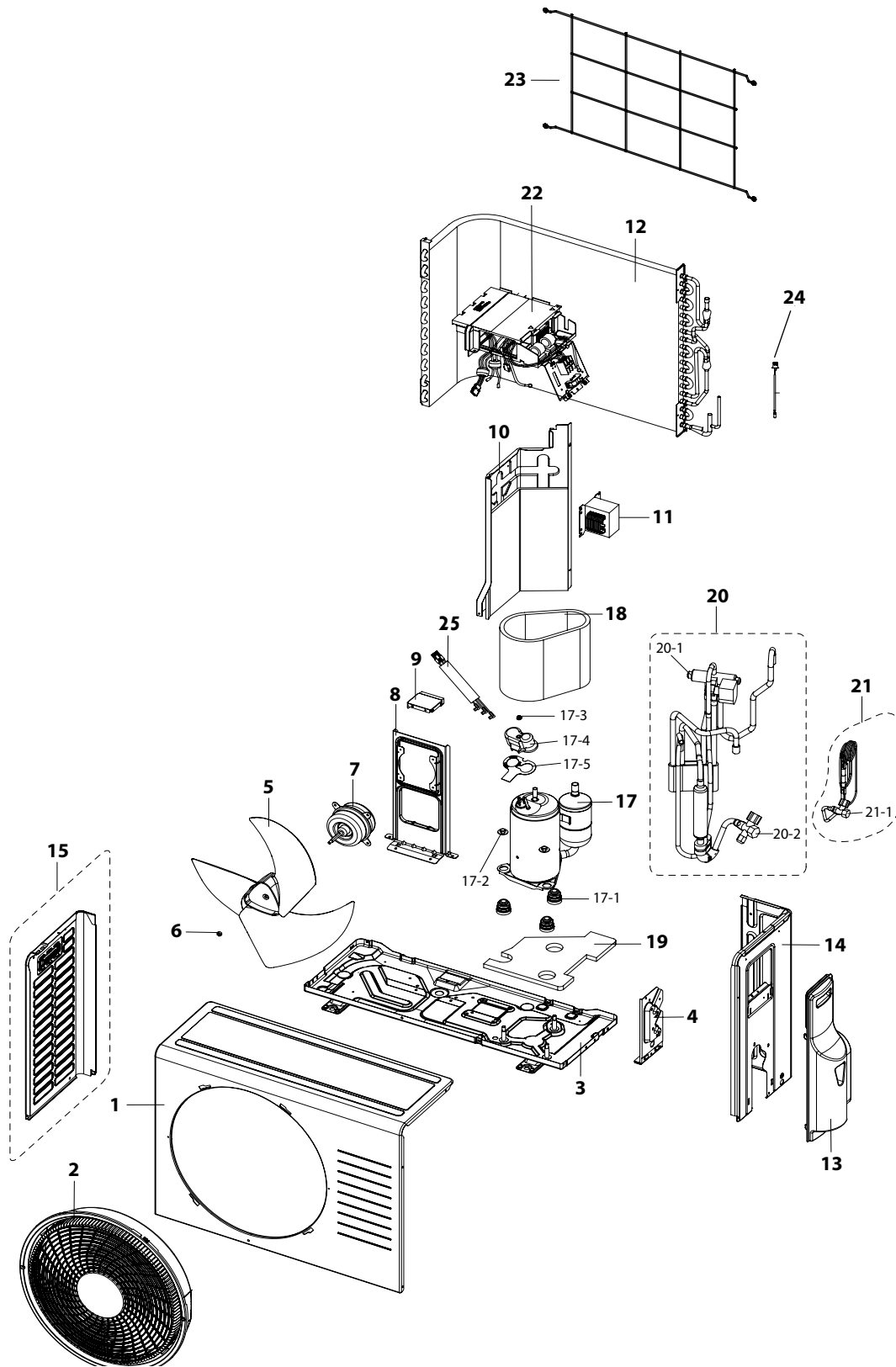
5-1 Indoor Unit



■ Parts List

No.	Code No.	Description	Specification	QTY		SA/SNA
				AQV09UGAN	AQV12UGAN	
1	DB94-01921B	ASSY BACK BODY	ASSY	1	1	SA
1-1	DB61-03656A	BODY BACK	HIPS	1	1	SA
1-2	DB61-03651A	SUPPORT-EVAP RH	HIPS	1	1	SA
1-3	DB62-05888A	SEAL-INSUL BODY REAR	EPS(30)	1	1	SA
1-4	DB61-03666A	HOLDER-PIPE	HIPS	1	1	SA
2	DB97-02851C	ASSY-PLATE HANGER	SGCC-M, T0.7	1	1	SA
3	DB92-01406N	ASSY PANEL FRONT	ASSY	1	1	SA
3-1	DB64-02124A	PANEL FRONT	HIPS	1	1	SA
3-2	DB63-02143A	FILTER-PRE L	PP	1	1	SA
3-3	DB63-02144A	FILTER-PRE R	PP	1	1	SA
3-4	DB90-04375A	ASSY CASE-PCB		1	1	SA
3-5	DB63-02120A	COVER TERMINAL	HIPS(5V)	1	1	SA
3-6	DB90-04305E	ASSY COVER DISPLAY	ASSY	1	1	SA
3-7	DB64-02127A	GRILLE-AIR INLET	HIPS	1	1	SA
3-8	DB81-01288B	DECO-GRILLE	HIPS	1	1	SA
4	DB93-06996B	ASSY CONTROL IN	ASSY	1	1	SA
5	DB90-04385A	ASSY COVER CONTROL IN	T0.5	1	1	SA
6	DB94-01922A	ASSY TRAY DRAIN	ASSY	1	1	SA
6-1	DB63-02118A	TRAY DRAIN	ABS	1	1	SA
6-2	DB61-03672A	BLADE-V	PP	2	2	SA
6-3	DB61-03649A	BLADE-H	ABS	1	1	SA
6-4	DB62-05892A	INSULATION-TRAY FR	EPS(30)	1	1	SA
6-5	DB31-00371A	MOTOR STEP	DC12V,600gf.cm	1	1	SA
6-6	DB69-00839A	CUSHION-TRAY RH	EPS(30)	1	1	SA
6-7	DB63-02121A	TRAY-STABILIZER	HIPS	1	1	SA
6-8	DB94-01975A	ASSY DRAIN-HOSE	ASSY	1	1	SA
7	DB96-11360A	ASSY EVAP TOTAL	ASSY	1	-	SA
	DB96-11359A	ASSY EVAP TOTAL	ASSY	-	1	SA
7-1	DB61-03650A	HOLDER-EVAP	HIPS	1	1	SA
8	DB94-01874A	ASSY-CROSS FAN	ASSY ; AS +GF20%	1	1	SA
9	DB31-00531A	MOTOR FAN	-	1	1	SA

5-2 Outdoor Unit

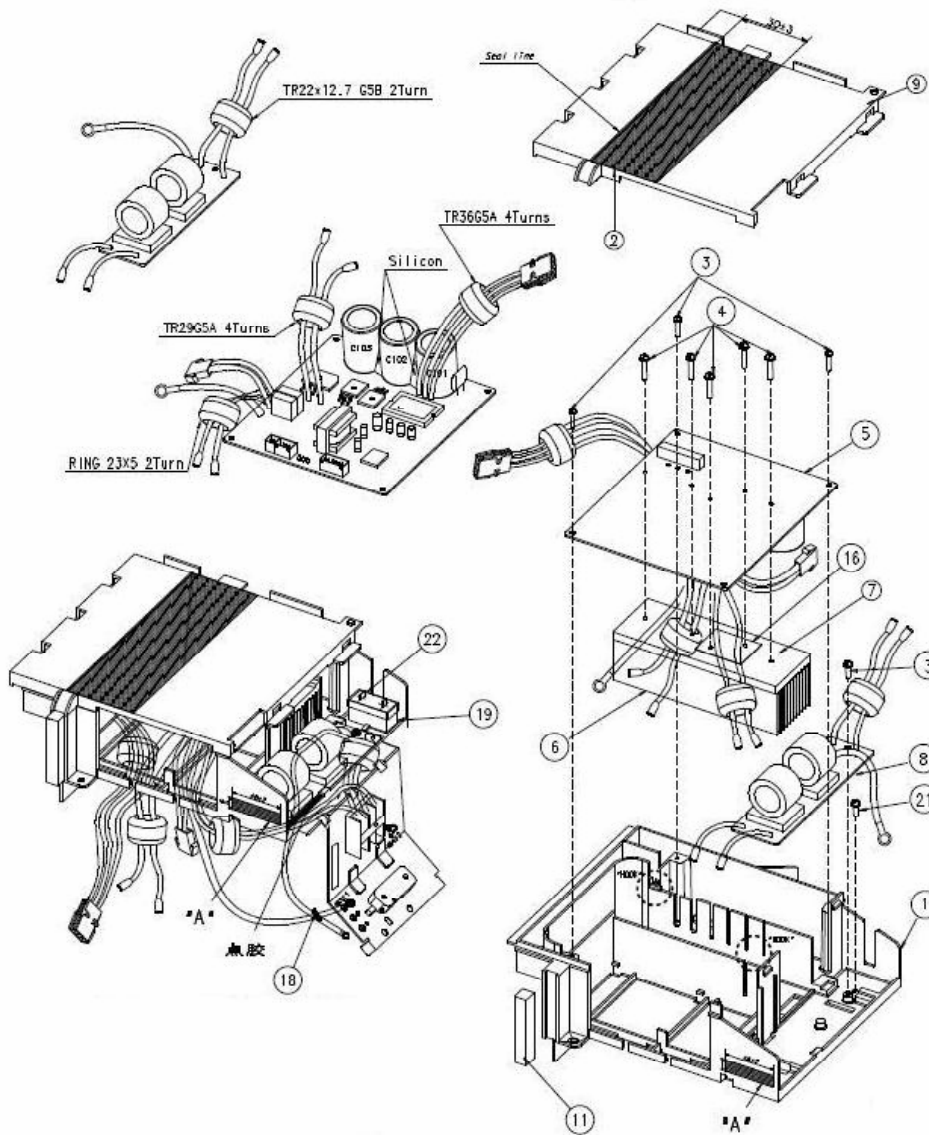


■ Parts List

No.	Code No.	Description	Specification	Q'TY		SA/SNA
				AQV09UGAX	AQV12UGAX	
1	DB90-03870H	ASS'Y CABI FRONT	ASS'Y,SC-94445T	1	1	SA
2	DB63-02004A	GUARD FAN	HIPS,SC-90073R	1	1	SA
3	DB90-01330L	ASS'Y BASE OUT	ASS'Y,SC-94445T	1	1	SA
4	DB99-00401B	ASS'Y BRACKET VALVE	ASS'Y,SC-94445T	1	1	SA
5	DB67-00397A	FAN-PROPELLER	AS+G/F20%,ø400	1	1	SA
6	DB60-30028A	NUT-HEXAGON	M6	1	1	SA
7	DB31-00220B	MOTOR FAN OUT	AC Motor	1	1	SA
8	DB61-01644A	BRACKET MOTOR	SGCC-M	1	1	SA
9	DB97-02225J	ASS'Y SUPPORT PLATE B/M	SGCC-M	1	1	SA
10	DB94-01180D	ASS'Y PARTITION	ASS'Y,SGCC-M	1	1	SA
11	DB27-00041A	REACTOR	PPS,5mH,10A	1	1	SA
12	DB96-06562D	ASS'Y COND UNIT	ASS'Y	1	-	SA
	DB96-06562D	ASS'Y COND UNIT	ASS'Y	-	1	SA
13	DB90-03818D	COVER CONTROL	ASS'Y	1	1	SA
14	DB90-01546Q	ASS'Y CABINET SIDE RH	ASS'Y,SC-94445T	1	1	SA
15	DB90-01332C	ASS'Y CABINET SIDE LF	SECC-P,SC-94445T	1	1	SA
17	G4C090LUDER	COMPRESSOR	ROTARY,BLDC	1	1	SA
17-1	DB63-02036A	GROMMET ISOLATOR	NR	3	3	SNA
17-2	DB60-30028A	SCREW HEX	M8	3	3	SNA
17-3	DB60-30004A	SCREW MACHINE	M5	1	1	SNA
17-4	DB63-00816A	COVER TERMINAL	PBT(G/F 15%)	1	1	SNA
17-5	DB63-00817A	GASKET	EPDM	1	1	SNA
18	DB63-01647A	FELT COMP SIDE	FELT+PVC Sheet	1	1	SA
19	DB63-01950A	FELT COMP BASE	FELT+PVC Sheet	1	1	SA
	DB63-01710B	FELT COMP UPPER	FELT+PVC Sheet	1	1	SA
	DB63-02033C	FELT COMP SIDE OUT	FELT+PVC Sheet	1	1	SA
	DB63-02034A	FELT COMP UPPER OUT	FELT+PVC Sheet	1	1	SA
20	DB99-00967B	ASS'Y VALVE 4WAY	ASS'Y	1	1	SA
20-1	DB62-02286A	4WAY VALVE	R410A,SANHUA	1	1	SNA
20-2	DB62-02284A	VALVE SERVICE	R410A,SANHUA,3/8"	1	1	SNA
21	DB99-00968A	ASSY-VALVE CHECK	ASS'Y	1	-	SA
	DB99-00968A	ASSY-VALVE CHECK	ASS'Y	-	1	SA
21-2	DB62-02283A	VALVE SERVICE	R410A,SANHUA,1/4"	1	1	SNA
22	DB93-07024C	ASS'Y CONTROL OUT	ASS'Y	1	-	SA
	DB93-07024D	ASS'Y CONTROL OUT	ASS'Y	-	1	SA
23	DB64-02117B	SCREEN COND BAR	P.E.H 100%	1	1	SA
24	DB95-01358B	THERMISTOR	ASS'Y	1	1	SA
25	DB93-07548A	CONNECT WIRE COMP	ASS'Y	1	1	SA

5-3 Ass'y Control Out

- AQV09UGAX : DB93-07024C
- AQV12UGAX : DB93-07024D



NO.	CODE	DESCRIPTION	Q'TY	
			DB93-07024C	DB93-07024D
1	DB61-02250A	CASE CONTROL-BASE	1	1
2	DB62-04566A	SEAL-CASE CONTROL COVER	1	1
3	6002-000630	SCREW	4	4
4	DB91-00306A	ASSY-SCREW MACHINE	5	5
5	DB93-07108C	ASSY-PCB OUT	1	0
	DB93-07108D	ASSY-PCB OUT	0	1
6	DB62-03155A	HEAT SINK	1	1
7	DB98-24813A	THERMAL GREASE	0.002	0.002
8	DB93-07050A	ASSY-PCB EMI	1	1
9	DB61-02249A	CASE CONTROL-COVER	1	1
10	DB70-00547A	PLATE-CONTROL OUT	1	1
11	DB62-02332P	SEAL-CASE CONTROL	1	1
12	6002-000555	SCREW-TAPPING	1	1
13	DB95-01140B	TERMINAL BLOCK	1	1
14	DB61-00250A	HOLDER-WIRE CLAMP	1	1
15	6002-000214	SCREW-TAPPING	2	2
16	DB81-00547B	INSULATOR-KFR	1	1
17	6009-001001	SCREW	2	2
18	DB65-10088D	CABLE-TIE	1	1
19	2301-001377	C-FILM,LEAD-OTHER	1	1
20	6001-001054	SCREW-MACHINE	1	1
21	6002-000560	SCREW-TAPPING	1	1
22	DB73-00448A	RUBBER-CAPACTIOR	1	1