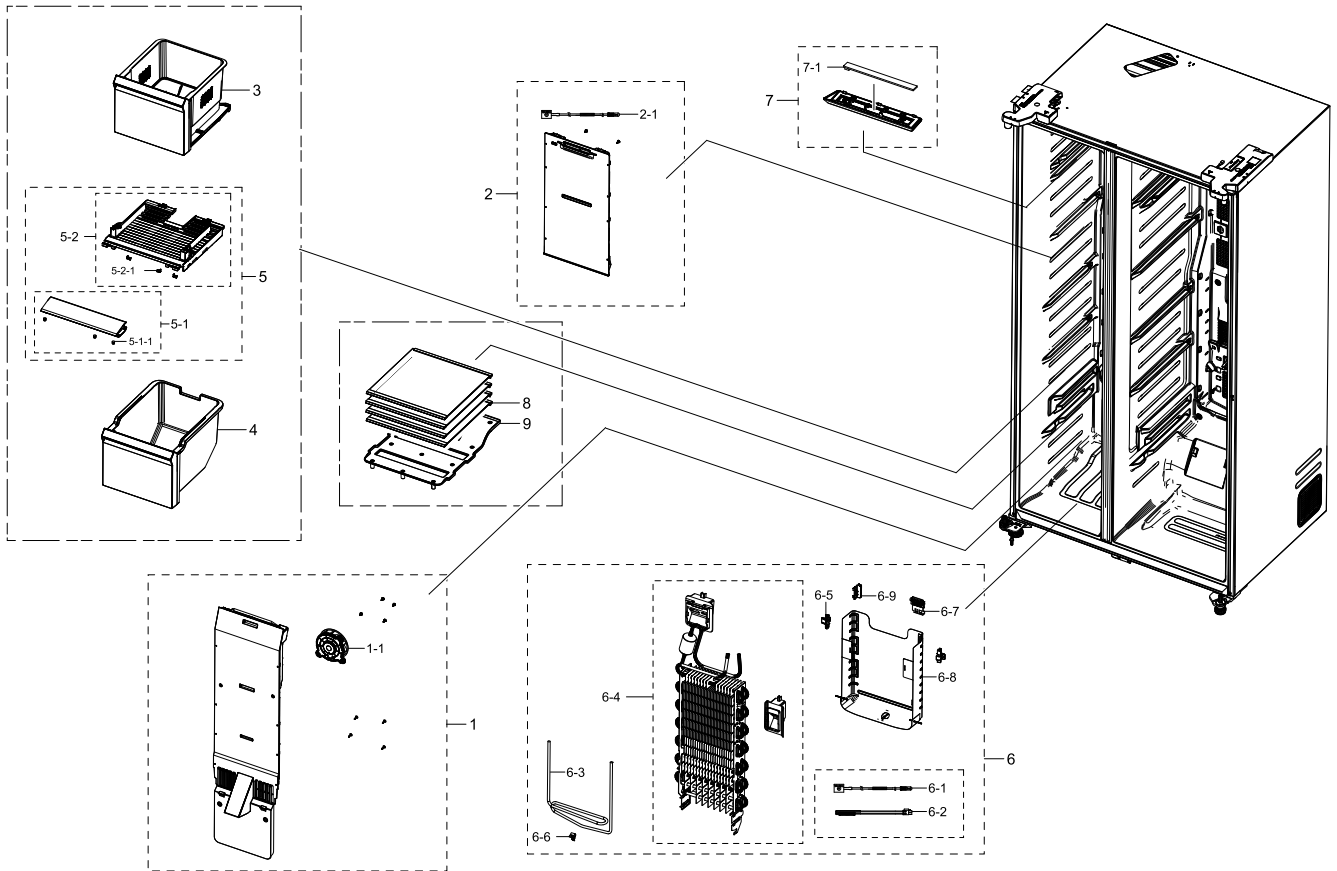


# 1. RS6GN8231S9/EG FREEZER

## Exploded View



## Parts List

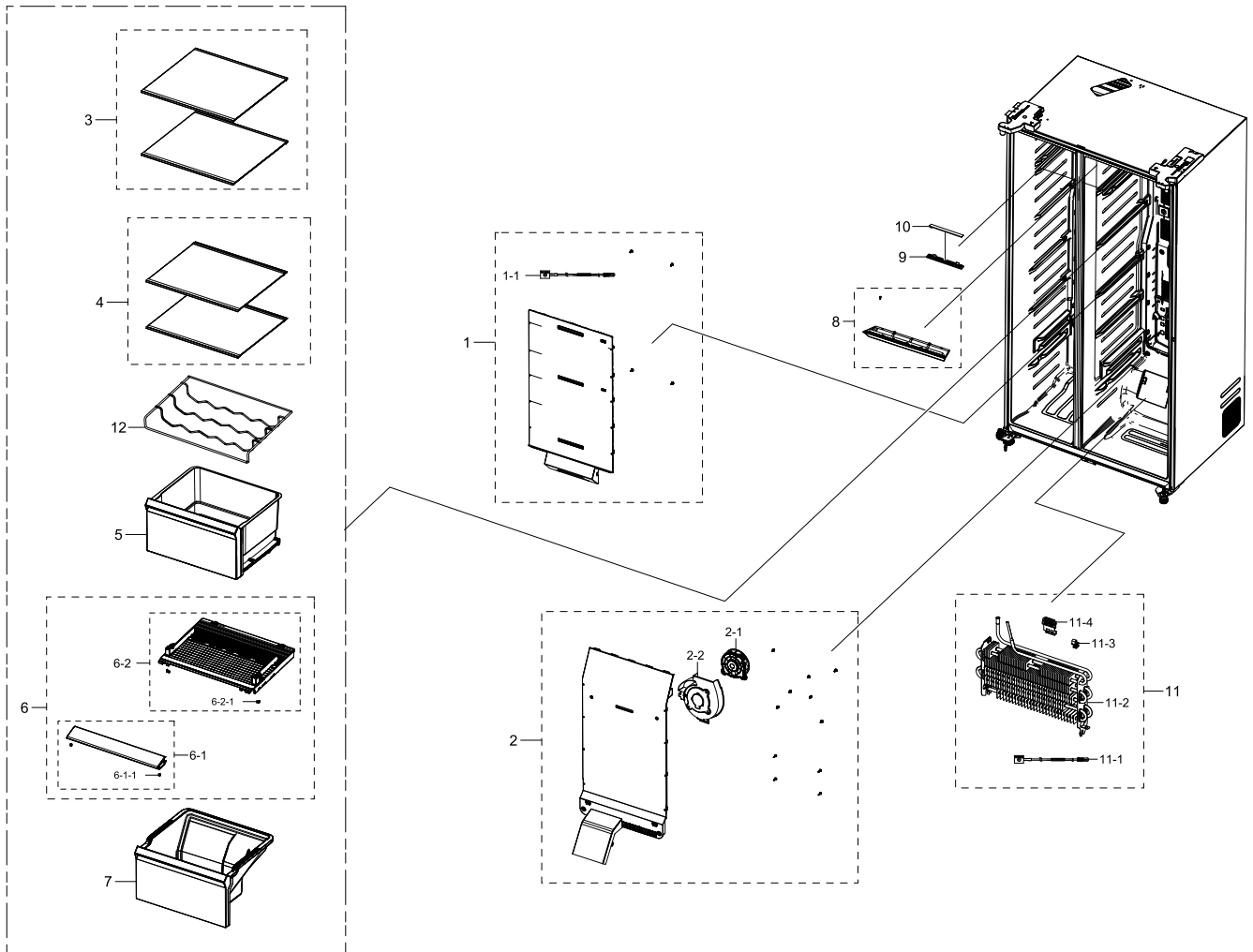
No.	Lvl.	Loc.	Material Code	Description & Specification	SNA	Qty.
1	2	M0303	DA97-19185A	ASSY COVER EVAP-FRE; RS8000NC,2-Door, 3-D	SA	1
1-1	3		DA31-00345A	MOTOR BLDC FAN; AIO-Q7,1795-1994rpm,12V,2	SA	2
2	2	M0304	DA97-19187B	ASSY COVER MULTI-FRE; RS8000NC,In-Door I/	SA	1
2-1	3	A1018	DA32-00070C	SENSOR TEMP; SC41200-021A,250mm,11.73kohm	SA	2
3	2		DA97-19210B	ASSY CASE BASKET-UP; RS8000NC,Stamping	SA	1
4	2	A1186	DA97-19211B	ASSY CASE BASKET-LOW; RS8000NC,Stamping	SA	1
5	2		DA97-19217A	ASSY COVER SLIDE-FRE; RS8000NC	SA	1
5-1	3		DA97-19505A	ASSY COVER SLIDE-FRE A; RS8000NC	SNA	1
5-1-1	4		DA63-07113A	GROMMET-COVER SIDE; HM12,SI,Transparency	SA	4
5-2	3		DA97-19506A	ASSY COVER SLIDE-FRE B; RS8000NC	SNA	1

Exploded Views and Parts List

No.	Lvl.	Loc.	Material Code	Description & Specification	SNA	Qty.
5-2-1	4	G0587	DA63-00202C	GROMMET-RAIL; TD-PJT,PA66,W10.7,COOL WHIT	SA	4
6	2	A0163	DA96-01316A	ASSY EVAP-FRE; RS8000NC,FIN TUBE,230V , 2	SA	1
6-1	3	A1018	DA32-00070Q	SENSOR TEMP; DKST1329GW,DOUBLE_INSULATION	SA	2
6-2	3	A1008	DA47-00301H	THERMO FUSE-ASSY; AC250V,10A,109~110S	SNA	1
6-3	3		DA47-00501A	HEATER METAL SHEATH; AC230V,RS800NC FRE,	SA	1
6-4	3		DA59-00618A	EVAPORATOR-FRE; FIN TUBE,RS8000NC,2,A1070	SNA	1
6-5	3	G0205	DA61-04921B	FIXER-HEATER FRE; HERMES-PJT,PP,NATURAL,V	SA	2
6-6	3		DA61-12385A	PLATE HEATER; BRF8000M,Al,T0.7,A1100P-H14	SA	1
6-7	3		DA61-12980A	FIXER SENSOR; RS8000NC,PP,T2,NATURAL,BJ75	SNA	2
6-8	3		DA61-13033A	PLATE DRAIN-FRE; RS8000NC,GL-SAZCC,T0.3	SNA	1
6-9	3	A0744	DA61-05160A	FIXER FUSE; CULLI_09,PP,T2,NATURAL,HB,BJ7	SNA	1
7	2		DA97-19445A	ASSY COVER LAMP-FRE; RS8000NC,ASSY,SNOW W	SA	1
7-1	3		DA96-01119A	ASSY LAMP LED; 3EA,FR-4,150*12,WHITE,SMAW	SA	1
8	2		DA97-19321A	ASSY SHELF-FRE LOW; RS8000NC,SILVER TRIM	SA	4
9	2		DA97-19104A	ASSY SHELF-FRE BOTTOM; RS8000NC	SA	1

## 2. FRIDGE

### Exploded View



### Parts List

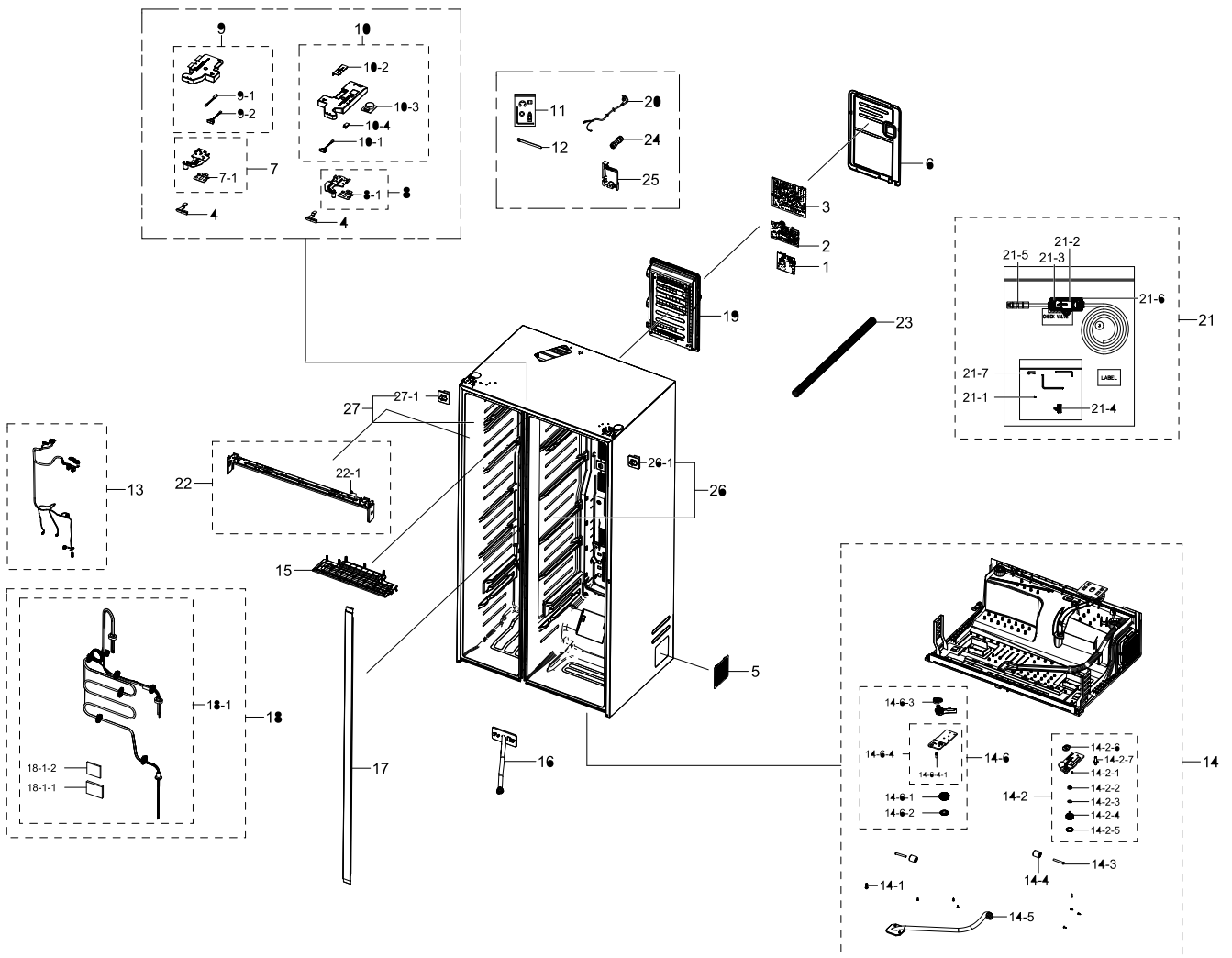
No.	Lvl.	Loc.	Material Code	Description & Specification	SNA	Qty.
1	2	G0239	DA97-19189B	ASSY COVER MULTI-REF; RS8000NC,2-Door, 3-	SA	1
1-1	3	A1018	DA32-00070C	SENSOR TEMP; SC41200-021A,250mm,11.73kohm	SA	2
2	2	Z1177	DA97-19188A	ASSY COVER EVAP-REF; RS8000NC,2-Door, 3-D	SA	1
2-1	3		DA31-00345A	MOTOR BLDC FAN; AIO-Q7,1795-1994rpm,12V,2	SA	2
2-2	3		DA61-08437A	GUIDE AIR-REF; HM12,HIPS,HB,454N,NATURAL,	SA	1
3	2		DA97-19322A	ASSY SHELF-REF UP; RS8000NC,SILVER TRIM	SA	2
4	2		DA97-19323A	ASSY SHELF-REF LOW; RS8000NC,SILVER TRIM	SA	2

## Exploded Views and Parts List

No.	Lvl.	Loc.	Material Code	Description & Specification	SNA	Qty.
5	2		DA97-19214B	ASSY CASE VEG-UP; RS8000NC,Stamping	SA	1
6	2		DA97-19218A	ASSY COVER SLIDE-REF; RS8000NC	SA	1
6-1	3		DA97-19504A	ASSY COVER SLIDE-REF A; RS8000NC	SNA	1
6-1-1	4		DA63-07113A	GROMMET-COVER SIDE; HM12,SI,Transparency	SA	4
6-2	3		DA97-19507A	ASSY COVER SLIDE-REF B; RS8000NC	SNA	1
6-2-1	4	G0587	DA63-00202C	GROMMET-RAIL; TD-PJT,PA66,W10.7,COOL WHIT	SA	4
7	2	M0300	DA97-19213B	ASSY CASE VEG-LOW; RS8000NC,PLUMBING, Sta	SA	1
8	2	A0626	DA97-19058C	ASSY COVER CONTROL; RS8000NC,PLUMBING	SA	1
9	2		DA63-09405A	COVER-OPTICAL LED; RS8000NC,GPPS,T2,TP BL	SA	1
10	2		DA96-01119B	ASSY LAMP LED; 6,FR-4,150*12,WHITE,SMAW25	SA	1
11	2	A0184	DA96-01318A	ASSY EVAP-REF; RS8000NC,FIN TUBE,A+,A++	SA	1
11-1	3	A1018	DA32-00070Q	SENSOR TEMP; DKST1329GW,DOUBLE_INSULATION	SA	2
11-2	3		DA59-00619A	EVAPORATOR-REF; Fin Tube,RS8000NC, Alumit	SNA	1
11-3	3		DA61-06013B	FIXER WIRE; AW3-PJT,PP,T2,NATURAL,HB,BJ75	SA	1
11-4	3		DA61-12980A	FIXER SENSOR; RS8000NC,PP,T2,NATURAL,BJ75	SNA	2
12	2	G0076	DA75-00267B	RACK-WINE; BRB6000M,-,MSWR,OD6.0,457.6,29	SA	1

# 3. ASSY CABINET

## Exploded View



## Parts List

No.	Lvl.	Loc.	Material Code	Description & Specification	SNA	Qty.
1	1		DA92-00530A	ASSY MODULE; STD #7 SMPS,FOOD SHOWCASE,32	SA	1
2	1		DA92-00763N	ASSY PCB INVERTER; INVERTER,RS8000,163*98	SA	1
3	1		DA94-04228R	ASSY PCB EEPROM; 0X46,D601,D603,D607,RS80	SA	1
4	2		DA61-04932B	FIXER-HINGE; PO-SPHC,T3,Zn coating	SA	2
5	2		DA63-08062A	COVER UNIT; BK,ABS,HB,INOX GRAY,HG-0760GP	SA	1
6	2	A0235	DA97-13181B	ASSY COVER-PBA MAIN; ROMANEE-CONTI,T0.5	SA	1
7	2		DA97-19132A	ASSY HINGE-UP RIGHT; RS8000NC,BLK	SA	1
7-1	3		DA63-50192A	SHIM-HINGE UPP; PVC,T1.0,T1.0	SA	2

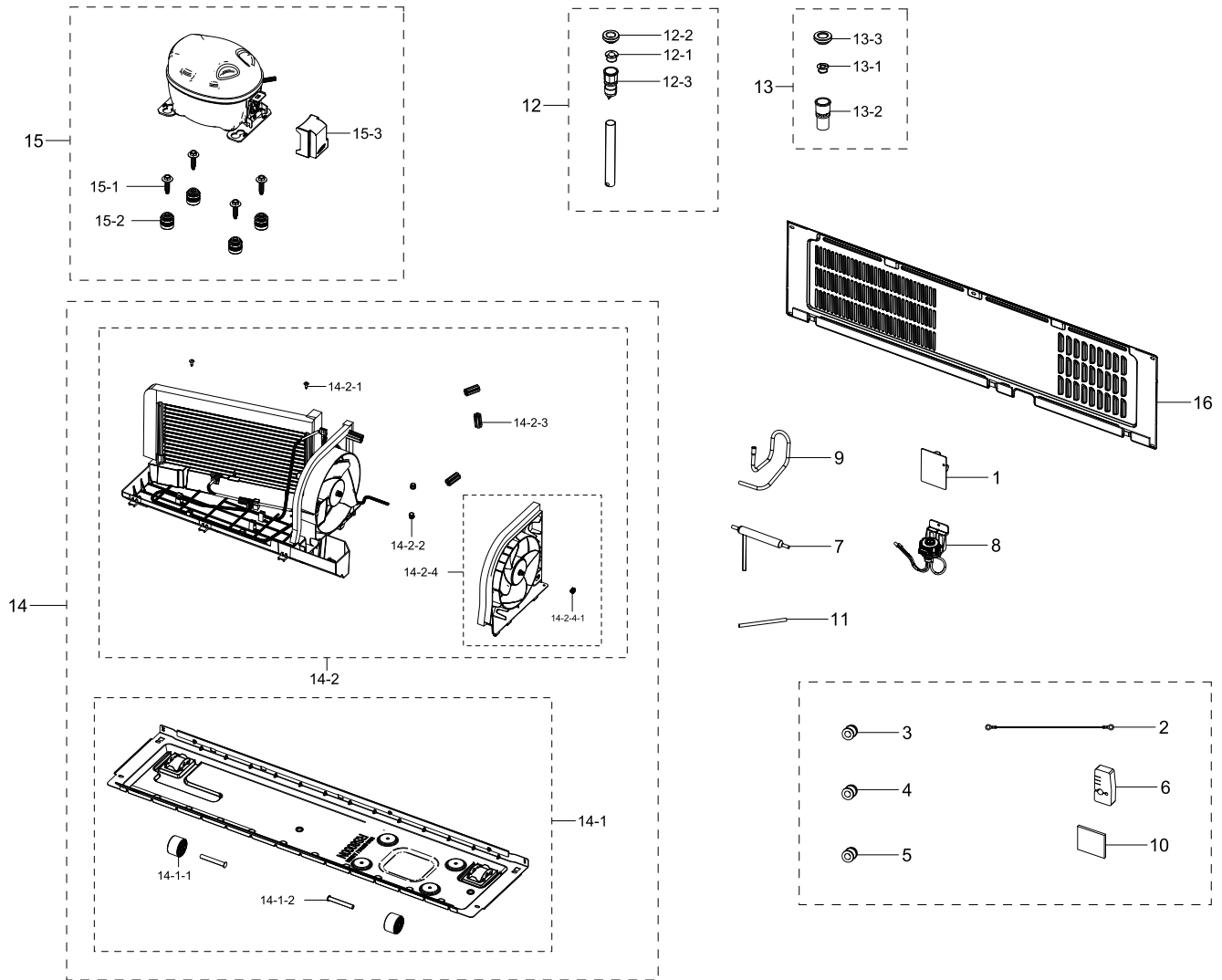
## Exploded Views and Parts List

No.	Lvl.	Loc.	Material Code	Description & Specification	SNA	Qty.
8	2		DA97-19227A	ASSY HINGE-UP LEFT; RS8000NC,BLK	SA	1
8-1	3		DA63-50192A	SHIM-HINGE UPP; PVC,T1.0,T1.0	SA	2
9	2		DA97-19247A	ASSY COVER HINGE-UP LEFT; RS8000NC,ABS,2.	SA	1
9-1	3	A1108	DA32-00074A	SENSOR HUMIDITY; 5V,0~100%RH,REF	SA	1
9-2	3	G0068	DA34-00043A	SWITCH REED; UL1007 AWG 22,100mm,DEM1-B50	SA	2
10	2		DA97-19248A	ASSY COVER HINGE-UP RIGHT; RS8000NC,ABS,2	SA	1
10-1	3	G0068	DA34-00043A	SWITCH REED; UL1007 AWG 22,100mm,DEM1-B50	SA	2
10-2	3		DA63-08442A	COVER HINGE-B; RF9000K,ABS,INOX GRAY,HG-0	SA	1
10-3	3		DA92-00817A	ASSY MODULE; BUZZER PBA,RB6000K	SA	1
10-4	3		DB92-03769A	ASSY MODULE; ASSY GENDER,ASSY GENDER, CEM	SA	1
11	2		DA99-03490S	ASSY INSTALL-ACCESSORY; VALVE	SNA	1
12	2		DB61-00206A	HOLDER-WIRE; GI-SGCC,BLACK	SA	1
13	2		DA96-01311A	ASSY WIRE HARNESS-MAIN; RS8000NC,2D,DISP_	SNA	1
14	2		DA97-19254A	ASSY CABI-BOTTOM; RS8000NC,PP SCRAP,URBAN	SNA	1
14-1	3	A0564	DA60-10123C	BOLT-HEX; M6,L24,ZPC(WHT),SWRCH18A,HWH He	SA	6
14-2	3		DA97-19056A	ASSY HINGE-LOW RIGHT; RS8000NC,T7,2DOOR	SA	1
14-2-1	4	G0412	6002-000217	SCREW-TAPPING; TH,+,NO,1,M4,L8,ZPC(WHT),S	SA	1
14-2-2	4	A0837	6021-000171	NUT-HEXAGON; 3C,M12,SN PLT,STS304	SNA	1
14-2-3	4		6031-001297	WASHER-SPRING; STS304,ID12.3,OD21.5,T2,ZP	SNA	1
14-2-4	4	A0577	DA61-09458A	FOOT-FRONT; PP,I BLACK	SA	1
14-2-5	4	A0863	DA61-09459A	FOOT; PP,I BLACK	SA	1
14-2-6	4		DA66-00891A	CAM-HINGE RISER REF LOW; MONTES ALPHA,PA6	SA	1
14-2-7	4		DA66-00911C	SHAFT HINGE; POLARIS,SWRCH10A,WHITE,FORGI	SA	1
14-3	3	M0146	DA61-01920A	FIXER-CASTER; ZPC2,SWRCH10A,OD8.0,L58	SA	1
14-4	3	M0145	DA61-04702A	CASTER-FRONT; AW-PJT,PP,BLACK,PP(M/B 0103	SA	1
14-5	3		DA61-13001A	GUIDE HOSE-BOTTOM; RS8000NC,HDPE,YR5100B,	SNA	1
14-6	3		DA97-14046B	ASSY HINGE-LOW LEFT; FSR CD,DISPENSER	SA	1
14-6-1	4	A0577	DA61-07972B	FOOT-FRONT; POLARIS,PP,BLACK,INSERT NUT,	SA	1

No.	Lvl.	Loc.	Material Code	Description & Specification	SNA	Qty.
14-6-2	4	A0863	DA61-07973B	FOOT; POLARIS,PP,BLACK,PP_S	SA	1
14-6-3	4		DA66-01127A	CAM RISER-FRE LOW; FSR CD,PA66,BLACK,KN33	SNA	1
14-6-4	4		DA61-09275B	HINGE-LOW LEFT; FSR CD,PO-SPHC,T5,DISPENS	SNA	1
14-6-4-1	5	A0517	DA66-00793A	SHAFT-LEG FRONT; POLARIS,SWRCH10A,BLACK,E	SA	1
15	2		DA97-19255A	ASSY CASE DISPLAY; RS8000NC,REF	SNA	1
16	2		DA97-19278A	ASSY GUIDE HOSE; RS8000NC,BASIC	SNA	1
17	2		DA97-19288A	ASSY CABI FRAME-MIDDLE FRONT; RS8000NC,T0	SNA	1
18	2		DA97-19125B	ASSY PIPE SUCTION; RS8000NC,A+,-,-,-	SNA	1
18-1	3		DA97-19125A	ASSY PIPE SUCTION; RS8000NC,A++	SNA	1
18-1-1	4		DA62-01018A	SEAL CUTT-RUBBER; RR2500K,RUBBER,BLACK,T5	SA	1
18-1-2	4		DA72-60040W	SEAL-CUTT RUBBER; TD-PJT,RUBBER,BLACK,T5,	SA	1
19	3		DA61-10916B	CASE PBA-MAIN; RS8000NC,MPPE,T2,VICTORY D	SNA	1
20	2	A0273	3903-001015	CBF-POWER CORD; AT,EU,EU3F,3C,250V,16A,BI	SA	1
21	2		DA97-11752A	ASSY INSTALL-FILTER; GUGGENHEIM	SA	1
21-1	3	G0412	6002-000213	SCREW-TAPPING; TH,+,1,M4,L12,ZPC(WHT),SWR	SNA	15
21-2	3		DA60-00336A	FITTING TUBE; POM,1/4	SNA	1
21-3	3		DA61-04522A	CLIP-FITTING LOCK; AW,POM	SNA	6
21-4	3		DA62-01329A	PIPE-CONNECT WATER PACKING; ET-PJT,BRASS,	SNA	1
21-5	3		DA62-01378B	VALVE-FITTING PU; AT06,C3604	SNA	1
21-6	3		DA63-04744A	COVER-CHECK VALVE; HM,PP,HB,GRAY,CNTK-P-1	SA	1
21-7	3	G0589	DA65-20110B	CABLE CLAMP; PA66	SNA	8
22	2		DA97-06920Q	ASSY REINF CABI-FLANGE UP; AW-PJT	SNA	1
22-1	3		6011-001694	BOLT-ETC; M8,L14.1(3.4),FE-FZB,SCM435,3-B	SNA	1
23	2	M0288	DA62-00160C	PIPE-WATER LINE OUT; AD,TPE,OD13.5,WHITE,	SA	2
24	2	T0093	DA60-00258B	FITTING-TUBE; TUBE FITTING A,PP,1/4,1/4'-	SA	2
25	2	M0157	DA63-00586D	COVER-TUBE FILTER; A-TOP,PP,NATURAL,Flame	SNA	1
26	2		DA94-04188D	ASSY LINER-REF; RS8000NC,2door,Plumbing	SNA	1
26-1	3		DA97-17246A	ASSY GROMMET; POLARIS,POM	SA	7
27	2		DA94-04189A	ASSY LINER-FRE; RS8000NC,In door I/M, Twi	SNA	1
27-1	3		DA97-17246A	ASSY GROMMET; POLARIS,POM	SA	7

# 4. ASSY CYCLE

## Exploded View



## Parts List

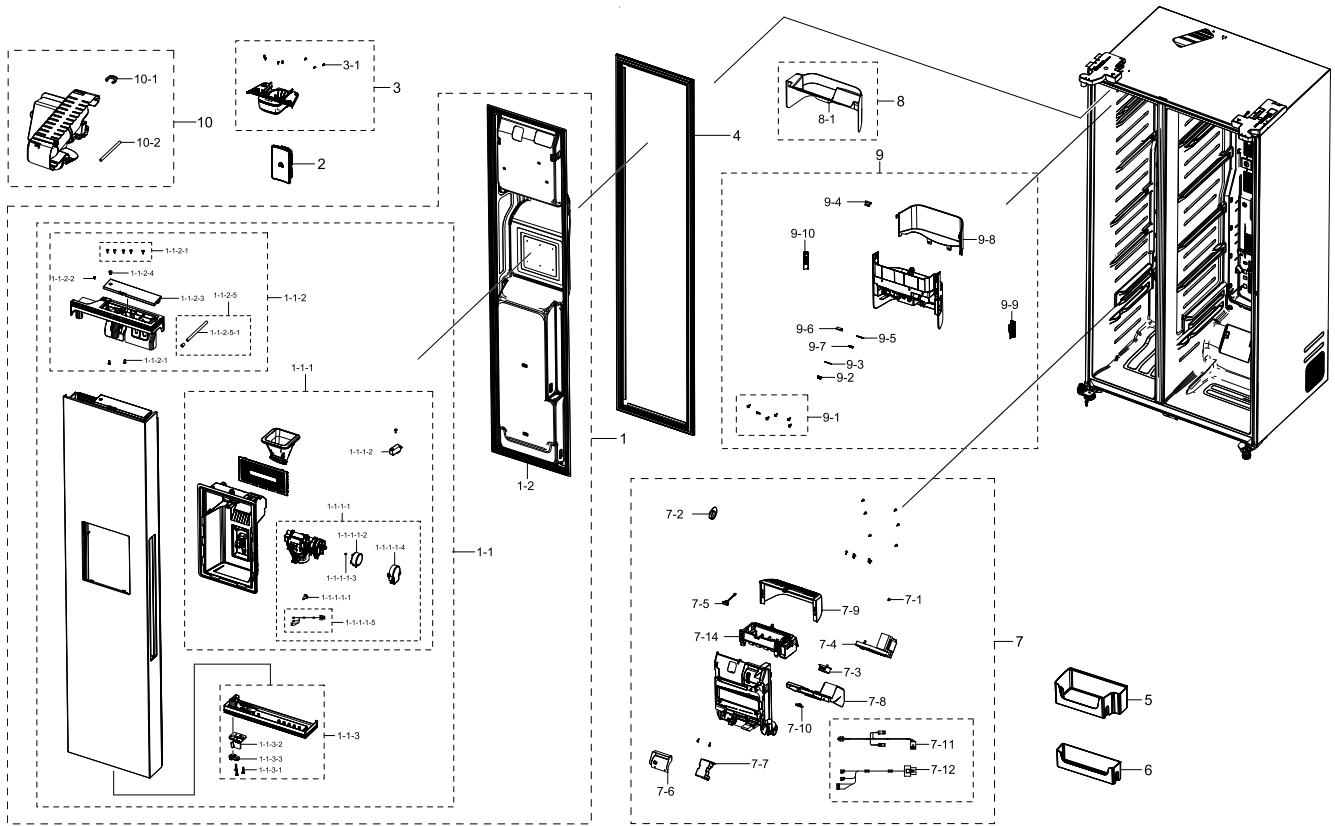
No.	Lvl.	Loc.	Material Code	Description & Specification	SNA	Qty.
1	2	M0489	DA27-00057B	COIL FILTER; 22mH,82x60x1.6mm,4A,680nF,48	SA	1
2	2	A0562	DA39-20389L	ASSY WIRE HARNESS-EARTH; EARTH,ALL,,,,,FR	SA	1
3	2		DA60-00279A	FITTING-LOKRING 16; SUM23,16, 11SMnPb30K	SA	1
4	2		DA60-00280A	FITTING-LOKRING 33; SUM23,33, 11SMnPb30K	SA	1
5	2		DA60-00281A	FITTING LOKRING; SUM23,ID5.02,11SMnPb30K,	SA	1
6	2		DA62-02507A	SEAL GUIDE PIPE; RB5000J,PE FOAM,T20,FIX	SA	1
7	2	A0669	DA62-04309A	DRYER; C1220T-H,L137,SINGLE MOUTH,For VAL	SA	1



No.	Lvl.	Loc.	Material Code	Description & Specification	SNA	Qty.
8	2		DA62-04678B	VALVE STEP; DC12V,MODULE,2WAY,RIGHT/RIGHT	SA	1
9	2		DA62-05167A	PIPE CONNECT-SUCTION; RS8000NC,Cu,OD6.35,	SA	1
10	4		DA72-60040W	SEAL-CUTT RUBBER; TD-PJT,RUBBER,BLACK,T5,	SA	1
11	2	A0523	DA73-10190U	PIPE-CONNECT DISC,B; ALL,Cu,C1220T,OD6.35	SA	1
12	2	M0067	DA97-04049D	ASSY CAP-DRAIN; AW,ASSY,-,-,L224.5,-,FIXE	SA	1
12-1	3	A0336	DA61-05021A	FIXER-DRAIN; HAEMIL,PP,T0.6,CARMEN WINE,B	SA	2
12-2	3	A0492	DA67-01301A	CAP-DRAIN; AW4,HIPS,HB,S834S1,NATURAL	SA	2
12-3	3		DA63-02761A	GROMMET-DRAIN; RS18RK,NBR,-,-,-,-,BLK,-	SA	2
13	2		DA97-18856A	ASSY CAP DRAIN; RQ9500M	SA	1
13-1	3	A0336	DA61-05021A	FIXER-DRAIN; HAEMIL,PP,T0.6,CARMEN WINE,B	SA	2
13-2	3		DA63-02761A	GROMMET-DRAIN; RS18RK,NBR,-,-,-,-,BLK,-	SA	2
13-3	3	A0492	DA67-01301A	CAP-DRAIN; AW4,HIPS,HB,S834S1,NATURAL	SA	2
14	2		DA97-19448A	ASSY CHASSIS; RS8000NC	SNA	1
14-1	3	A0526	DA97-19127A	ASSY CHASSIS COMP; RS8000NC,GI-SGCC,1.2	SA	1
14-1-1	4	A0527	DA61-04703A	CASTER-REAR; AW-PJT,PP,BLACK,PP M/B(0103-	SA	2
14-1-2	4	M0212	DA66-00649B	SHAFT-CASTER; POLARIS,MSWR10,L44,ID8.0,OD	SA	2
14-2	3	A0529	DA97-19128A	ASSY TRAY DRAIN WATER; RS8000NC	SA	1
14-2-1	4	G0412	6002-000213	SCREW-TAPPING; TH,+,1,M4,L12,ZPC(WHT),SWR	SNA	2
14-2-2	4		DA60-00321A	FITTING-LOKRING AL 12; ALDC12,LOKRING 5 N	SNA	2
14-2-3	4		DA63-07323A	GROMMET-IMMERSION PIPE B; ROMANEE CONTI,N	SA	3
14-2-4	4	M0116	DA97-17321A	ASSY SUPPORT-CIRCUIT MOTOR; RR7000M,C150Q	SA	1
14-2-4-1	5	A0768	DA61-20128A	SPRING ETC-FAN; STS304,PI8.8,ID7.8,OD9.8,	SNA	1
15	2		NF54M7151ANAK3	CMP,COMP,REFRIGERATOR,R-600A; CMP,COMP,REFRIGERATOR,R-600A		1
15-1	3	A0564	6011-004061	BOLT-HEX; M6,L43.6,SWRCH10A	SNA	4
15-2	3	Z1112	DA63-02617C	GROMMET COMP; NN34J9902AP,IIR,BLACK,H28.3	SNA	4
15-3	3	Z1032	DA63-06122A	COVER RELAY; MSV,MPPO,T2,BLACK,V-0	SA	1
16	2	M0076	DA97-19123A	ASSY COVER COMP; RS8000NC,GI-SGCC,T0.25	SA	1

# 5. FREEZER DOOR

## Exploded View



## Parts List

No.	Lvl.	Loc.	Material Code	Description & Specification	SNA	Qty.
1	2	M0063	DA91-04872A	ASSY DOOR FOAM-FRE; RS8000NC,S9,FRE DISP,	SA	1
1-1	3		DA97-19170A	ASSY PLATE DOOR-FRE; RS8000NC,DISP, IN DO	SNA	1
1-1-1	4		DA97-19228A	ASSY CASE DISPENSER; RS8000NC,BLACK	SNA	1
1-1-1-1	5		DA97-19028A	ASSY CASE ICE ROUTE; RS8000NC,220V	SA	1
1-1-1-1-1	16	G0412	6002-000213	SCREW-TAPPING; TH,+1,M4,L12,ZPC(WHT),SWR	SNA	2
1-1-1-1-2	26	M0200	DA31-00079A	MOTOR GEARED AC DISP; MVLA15AR11/MCFA182A	SA	1
1-1-1-1-3	36	A0534	DA33-10011A	MAGNET; SSM-390,T2,W5,L7,-,	SNA	1
1-1-1-1-4	46	A1089	DA63-07654A	COVER MOTOR; FSR,HIPS,HB,NATURAL,S834S1	SNA	1
1-1-1-1-5	56		DA97-00151D	SWITCH REED; UL1007 AWG 22,L180(330)	SNA	1
1-1-1-2	5	A0842	3405-001117	SWITCH-MICRO; 125/250VAC,1A,80gf,SPST-NO	SA	1
1-1-2	4		DA97-19261A	ASSY CAP DOOR-FRE UP; RS8000NC,INOX GRAY,	SNA	1

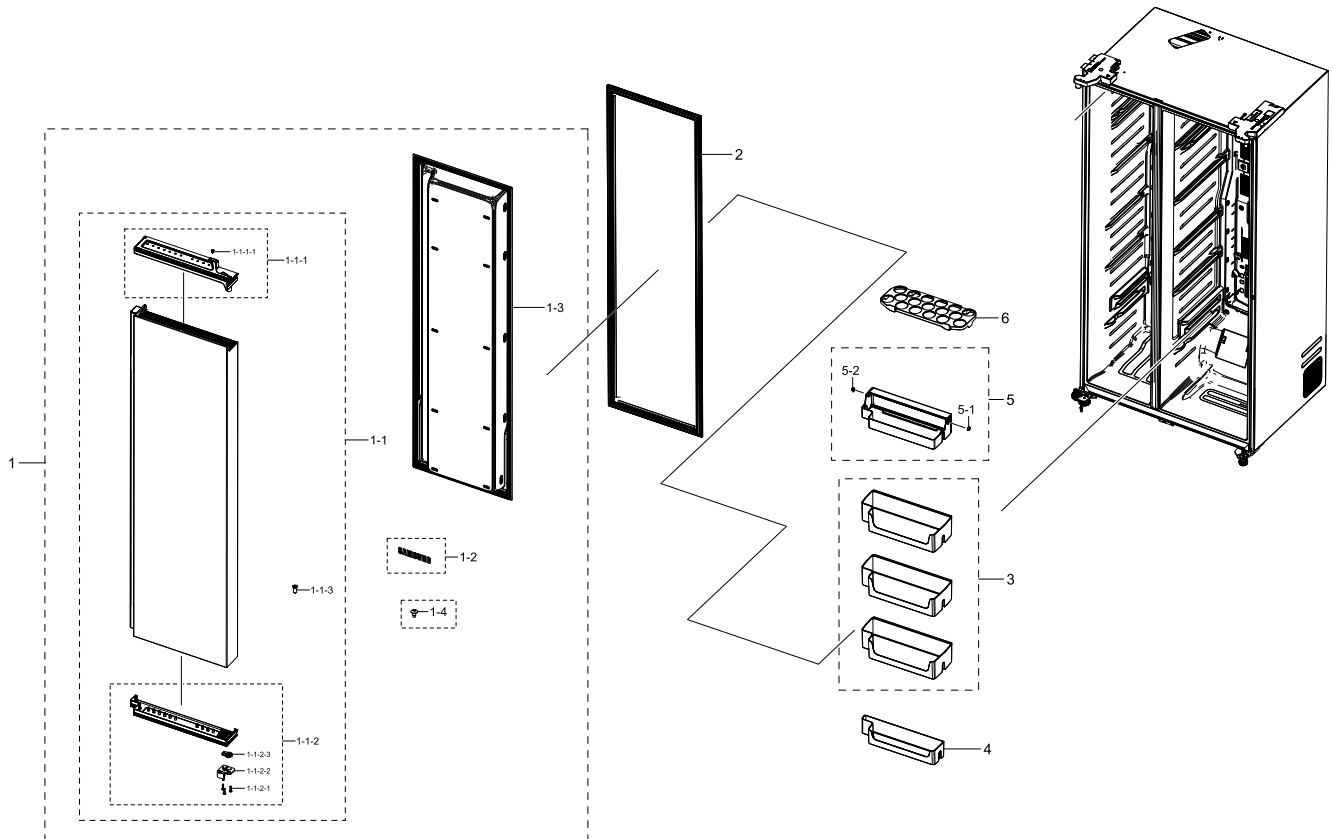
No.	Lvl.	Loc.	Material Code	Description & Specification	SNA	Qty.
1-1-2-1	5	G0412	6002-001122	SCREW-TAPPING; FH,+,NO,1,M4,L14,ZPC(WHT),	SNA	7
1-1-2-2	5	G0412	6002-001547	SCREW-TAPPING; FH,+,NO,1,M4,L10,ZPC(WHT),	SA	1
1-1-2-3	5	M0060	DA63-04341A	COVER-CAP DOOR FRE; GUGGENHEIM,ABS,-,W61.	SA	1
1-1-2-4	5		DA67-02795C	CAP-SHAFT HOLE; AW3,ABS,HG-0760GP,COOL WH	SA	2
1-1-2-5	5		DA97-19469A	ASSY PIPE WATER LINE; RS8000NC,PE-RT,ORAN	SNA	1
1-1-2-5-16		G0526	DA62-01368F	PIPE-WATER LINE; PE,6.35,PE-RT,ORANGE	SA	2
1-1-3	4	A0047	DA97-19263A	ASSY CAP DOOR-FRE LOW; RS8000NC,2DOOR,3DO	SNA	1
1-1-3-1	5	A0848	6001-001377	SCREW-MACHINE; TH,+,M5,L25,ZPC(WHT),SWRCH	SNA	9
1-1-3-2	5		DA61-07527A	STOPPER-DOOR FRE LOW; POLARIS,PO-SPHC,T4.	SA	2
1-1-3-3	5	M0265	DA66-00558B	CAM HINGE-RISER UPP L; POLARIS,PA66,BLACK	SA	2
1-2	3		DA64-05766A	PANEL-FRE; RS8000NC,HIPS,W339.2,L1647.5,R	SNA	1
2	2		DA97-19030A	ASSY LEVER DISPENSER; RS8000NC,BLACK	SA	1
3	2		DA97-19031A	ASSY COVER DISPENSER; RS8000NC,BLACK	SA	1
3-1	3	G0412	6002-000630	SCREW-TAPPING; PH,+,NO,2S,M3,L8,ZPC(WHT),	SNA	12
4	2		DA97-19850W	ASSY GASKET-FRE; RS8000NC	SA	1
5	2		DA97-19099A	ASSY GUARD-FRE UP; RS8000NC,Basic	SA	1
6	2		DA97-19101A	ASSY GUARD-FRE LOW; RS8000NC	SA	1
7	2	M0299	DA97-19032A	ASSY CASE AUGER MOTOR; RS8000NC,PP-ICE MA	SA	1
7-1	3	G0412	6002-000239	SCREW-TAPPING; TH,+,NO,2S,M4,L8,ZPC(WHT),	SA	2
7-2	3	G0572	DA97-11248A	ASSY-CAM LEVER CUBE; INDOOR	SA	1
7-3	3	M0200	DA31-00079A	MOTOR GEARED AC DISP; MVLA15AR11/MCFA182A	SA	1
7-4	3	M0199	DA31-00210E	MOTOR GEARED AC AUGER; ISG-3245SSB/ORG-45	SA	1
7-5	3	G0068	DA34-00043C	SWITCH REED; 13mm,UL1007 AWG 22,100,HOOK	SA	1
7-6	3		DA61-12989A	PLATE COVER; RS8000NC,GL-SAZCC,T0.3	SA	1
7-7	3		DA63-05515A	COVER-MOTOR AUGER COIL; GGH,ABS,NTR	SA	1
7-8	3		DA63-09324A	COVER CASE AUGER; RS8000NC,HIPS,T2.5,HB,N	SA	1
7-9	3		DA63-09325A	COVER ICE-FRE; RS8000NC,HIPS,T2.5,HB,COOL	SA	1
7-10	3	M0166	DA71-00163B	FIXER-NUT; GUGGENHEIM,STS420,J2,SK5	SNA	1

## Exploded Views and Parts List

No.	Lvl.	Loc.	Material Code	Description & Specification	SNA	Qty.
7-11	3		DA96-00036P	ASSY WIRE HARNESS-AUGER; AUGER,AC,IN-DOOR	SNA	1
7-12	3	G0564	DA97-00151B	SWITCH REED; UL1007 AWG 22,230,35151-0210	SA	1
7-14	3	M0247	DA97-19010A	ASSY ICE MAKER-MECH; RS6500KC,12V,INDOOR	SA	1
8	2		DA97-19100A	ASSY GUARD-FRE TOP; RS8000NC	SNA	1
8-1	3		DA63-09334A	GUARD-FRE TOP; RS8000NC,HIPS,T3.5,COOL WH	SA	1
9	2	A0105	DA97-19033A	ASSY TRAY ICE; RS8000NC,INDOOR PP I/M	SA	1
9-1	3	G0412	6002-000473	SCREW-TAPPING; TH,+,NO,1,M4,L14,PASS,STS3	SA	6
9-2	3		6021-001534	NUT-HEXAGON FLANGE; FLANGE,M9,-,STS304,LE	SNA	1
9-3	3	A0822	6031-002007	WASHER-PLAIN; STS304,ID20,OD28,T0.5,BARRE	SNA	1
9-4	3	A0837	DA60-00202A	FASTENER-NUT HEX; POM,NTR	SNA	1
9-5	3	T1109	DA60-00231A	FASTENER-RING; AW-PJT,STS304,T1.5	SNA	1
9-6	3	M0485	DA61-02738A	MAGNET-ASS"Y; CORE-PJT,FERRITE	SA	1
9-7	3		DA61-04663A	FIXER-WASHER; STS304,T2.5	SNA	1
9-8	3		DA64-05768A	WINDOW BUCKET; RS8000NC,PETG,T4,W290,L175	SA	1
9-9	3		DA66-00587A	LEVER-BUCKET L; GUGGENHEIM,ABS,29.8,76.7,	SC	1
9-10	3	G0557	DA66-00588A	LEVER-BUCKET R; GUGGENHEIM,ABS,29.8,77.2,	SA	1
10	2		DA97-19116A	ASSY COVER WATER TANK; RS8000NC,220V	SA	1
10-1	3		DA61-04522A	CLIP-FITTING LOCK; AW,POM	SNA	6
10-2	3	G0526	DA62-01368F	PIPE-WATER LINE; PE,6.35,PE-RT,ORANGE	SA	1

## 6. FRIDGE DOOR

### Exploded View



### Parts List

No.	Lvl.	Loc.	Material Code	Description & Specification	SNA	Qty.
1	2	Z1100	DA91-04873A	ASSY DOOR FOAM-REF; RS8000NC,S9,2D REF	SA	1
1-1	3		DA97-19174A	ASSY PLATE DOOR-REF; RS8000NC,2DOOR,RECES	SNA	1
1-1-1	4		DA97-19264A	ASSY CAP DOOR-REF UP; RS8000NC,INOX GRAY,	SNA	1
1-1-1-1	5		DA67-02795C	CAP-SHAFT HOLE; AW3,ABS,HG-0760GP,SNOW WH	SA	2
1-1-2	4	A0048	DA97-19269A	ASSY CAP DOOR-REF LOW; RS8000NC,CNTK-A204	SNA	1
1-1-2-1	5	A0848	6001-001377	SCREW-MACHINE; TH,+,M5,L25,ZPC(WHT),SWRCH	SNA	9
1-1-2-2	5	A1017	DA61-07526A	STOPPER-DOOR REF LOW; POLARIS,PO-SPHC,T4.	SA	1
1-1-2-3	5	G0554	DA66-00557A	CAM HINGE-RISER UPP R; GUGGENHEIM,PA66,BL	SA	1
1-1-3	4	G0412	6002-001547	SCREW-TAPPING; FH,+,NO,1,M4,L10,ZPC(WHT),	SA	1
1-2	3	M0196	DA64-04021C	MASCOT; ALL,Ni,T0.06,L90	SA	1

Exploded Views and Parts List

No.	Lvl.	Loc.	Material Code	Description & Specification	SNA	Qty.
1-3	3		DA64-05767A	PANEL-REF; RS8000NC,HIPS,W462.8,L1647.5,R	SNA	1
1-4	3	G0412	6002-000239	SCREW-TAPPING; TH,+,NO,2S,M4,L8,ZPC(WHT),	SA	2
2	2		DA97-19850V	ASSY GASKET-REF; RS8000NC	SA	1
3	2		DA97-19097A	ASSY GUARD-REF UP; RS8000NC	SA	3
4	2	G0400	DA97-19098A	ASSY GUARD-REF LOW; RS8000NC	SA	1
5	2	A0636	DA97-19102A	ASSY GUARD DAIRY; RS8000NC	SA	1
5-1	3		DA67-02920A	CAP-HINGE DAIRY R; HERMES,POM,K300,NATURA	SA	1
5-2	3		DA67-02921A	CAP-HINGE DAIRY L; HERMES,POM,K300,NATURA	SA	1
6	2	Z1106	DA67-40322A	TRAY-EGG; SR-51.55.59,GPPS,-,-,-,-,-	SA	1