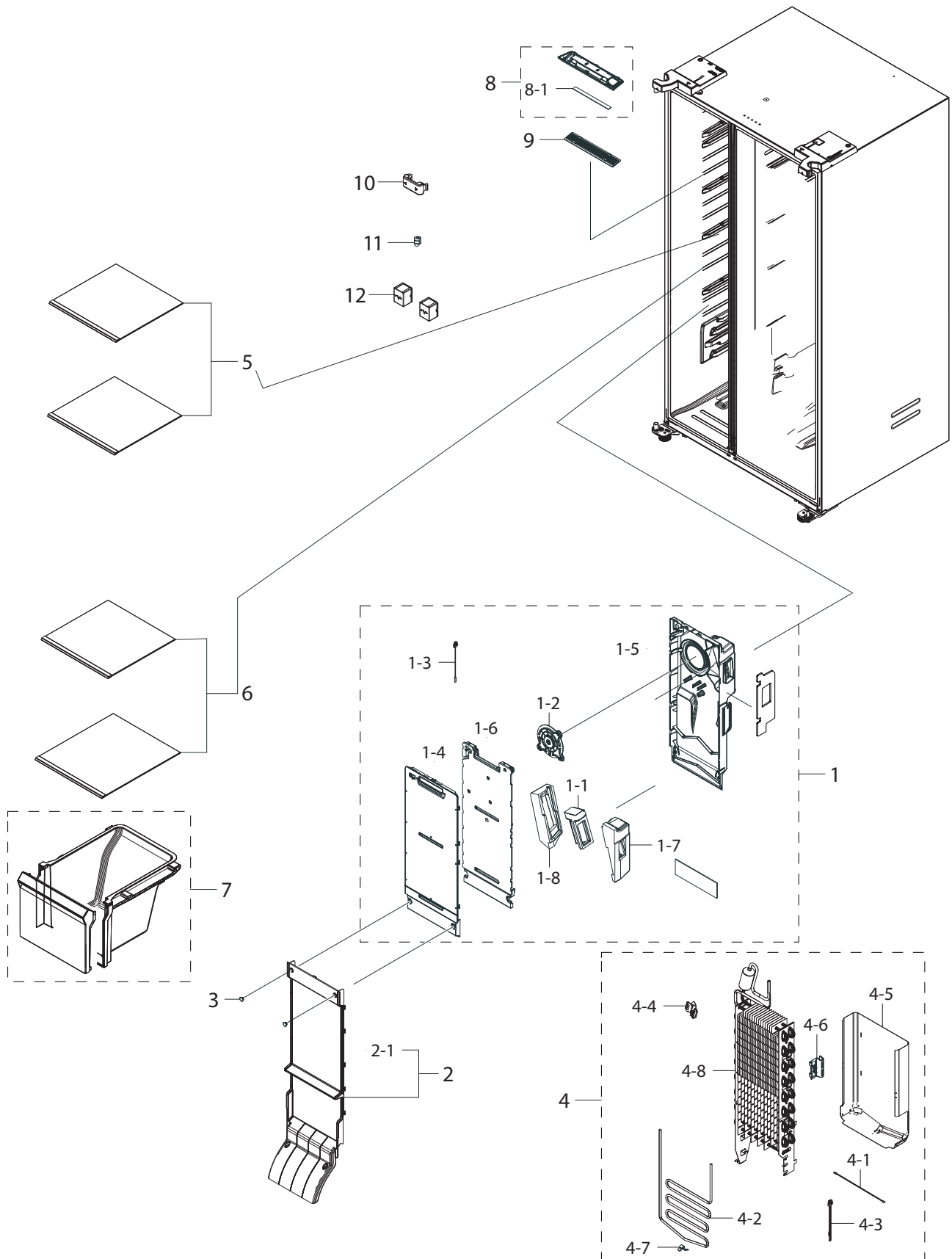


RS5300T] RS27T5200S9/CO EXPLODED VIEW AND PARTS LIST

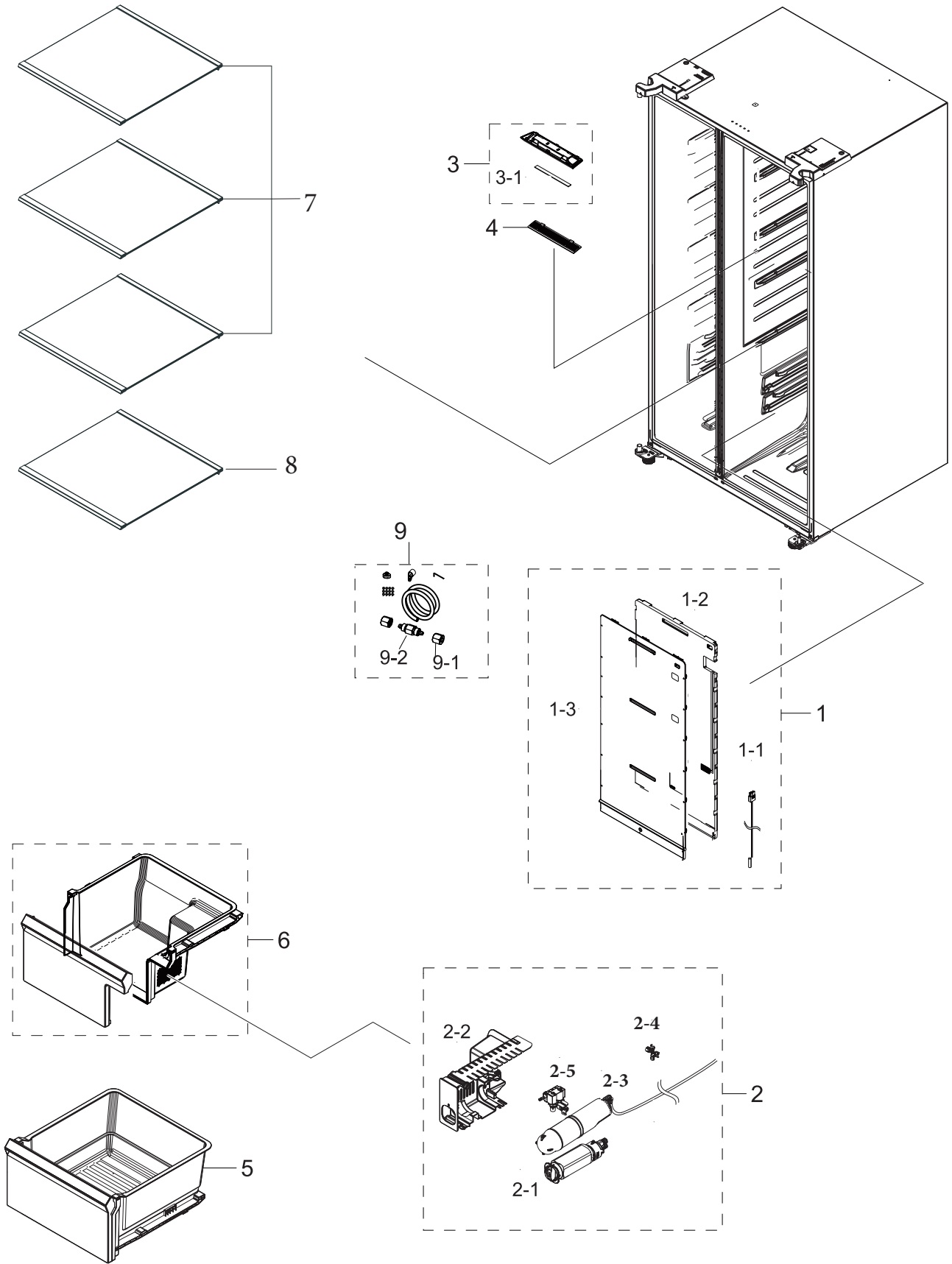
■ FREEZER



Service Bom (SA: SERVICE AVAILABLE, SNA: SERVICE NOT AVAILABLE)

| No. | MATERIAL CODE | PART NAME | SPECIFICATION | QTY | STATUS |
|-----|---------------|---------------------------------------|--|-----|--------|
| 1 | DA97-20713A | ASSY COVER MULTI-FRE MULTI MODULE | RS5300T, NON METAL | 1 | SA |
| 1-1 | DA31-00333E | MOTOR GEARED DC DAMPER | NSBA001TQ1, 2.5rpm, DC12V, 60mA, 2.5rpm, 60mA, 62X50X143.75mm, -30to+40C, 0.72W, CW/CCW, 1kgf.cm, /600 mm Heater 3W / Use Flat Cable | 1 | SA |
| 1-2 | DA31-00342A | MOTOR BLDC FAN | ARES2130RA/LT-W39005, 1850RPM, 12V, 0.35A, 4.2W, F135, FC connector, -30to+60C | 1 | SA |
| 1-3 | DA32-00070T | SENSOR TEMP | SC41198-021A, L700, 13.2Kohm, 2%, 0C, 7phi | 1 | SA |
| 1-4 | DA63-09694A | COVER MULTI-FRE | RS5300T, PP, HB, COOL WHITE, 49MK45 | 1 | SNA |
| 1-5 | DA63-09695A | COVER MULTI-FRE REAR | RS5300T, PP, HB, INNER GRAY, CNTK-P101, RECYCLED, CNTK-P101 | 1 | SNA |
| 1-6 | DA62-05385A | INSULATION DUCT-FRE FRONT | RS5300T, EPS, SE300 | 1 | SNA |
| 1-7 | DA62-05298A | INSULATION DUCT-SUB | RS5000RC, EPS, S-450 | 1 | SNA |
| 1-8 | DA62-05299A | INSULATION DUCT-SUB UP | RS5000RC, EPS, S-450 | 1 | SNA |
| 2 | DA97-20714A | ASSY COVER EVAP-FRE COVER EVAP MODULE | RS5300T | 1 | SA |
| 2-1 | DA63-09696A | COVER EVAP-FRE | RS5300T, PP, HB, COOL WHITE, 49MK45 | 1 | SNA |
| 3 | DA67-30266K | CAP SCREW | A-TOP, PP, T1.5, HB, BJ750, COOL WHITE, - | 4 | SA |
| 4 | DA96-01384D | ASSY EVAP-FRE EVAP MODULE | RS5300T, Fin Tube, 120V, 300W, 1 EVAP, ONLY R600A | 1 | SA |
| 4-1 | DA32-00024L | SENSOR TEMP | PX-41C, L250, 13.2kohm, 2%, 0C, 7phi | 1 | SA |
| 4-2 | DA47-00522B | HEATER METAL SHEATH | AC120V, RS5000T FRE, 48 ohm, 300W, INCOLOY840, 1915mm, BIMETAL, 35965-9210 (2EA), MgO | 1 | SNA |
| 4-3 | DA47-00301B | THERMO FUSE-ASSY | AC250V, 10A, 109~110°C, S.O.D, ETC(WIRE) | 1 | SA |
| 4-4 | DA61-00603A | FIXER SENSOR | All model, PP, T2, BLACK, -, TYP1000 | 1 | SA |
| 4-5 | DA61-04026A | PLATE DRAIN | ES-PJT, GL-SGLCC, T0.3, -, -, -, - | 1 | SA |
| 4-6 | DA61-07411A | FIXER-FUSE | NW2, PP, NATURAL, BJ750 | 1 | SA |
| 4-7 | DA61-07451A | PLATE-EVAP HEATER | NW2, Al, T0.7, -, -, -, - | 1 | SNA |
| 4-8 | DA59-00624B | EVAPORATOR-FRE | Fin Tube, RS5300T(UL SPEC.), 2, A1070, 8, A | 1 | SNA |
| 5 | DA97-20645A | ASSY SHELF-FRE UP SHELF MODULE | RS5300T | 4 | SA |
| 6 | DA97-20646A | ASSY SHELF-FRE LOW SHELF MODULE | RS5300T | 1 | SA |
| 7 | DA97-20630A | ASSY CASE BASKET-LOW DRAWER MODULE | RS5300T | 1 | SA |
| 8 | DA97-19899C | ASSY CASE LAMP-FRE LEFT | RB7300T, T2.0, COOL WHITE, LED 3EA | 1 | SA |
| 8-1 | DA96-01119A | ASSY LAMP LED | 3EA, FR-4, 150*12, WHITE, SMAW250-(H)03G, MAX199mA, DC12V, MIN140Ix, O VER 80 | 1 | SA |
| 9 | DA63-09898A | COVER LAMP | RB7300T, GPPS, T2, HB, TP BLUE, -, HH104 | 1 | SNA |
| 10 | DA67-04922A | CAP SENSOR | RS5300T, PP, -, -, B380G, COOL WHITE, - | 1 | SA |
| 11 | DA63-08943A | GROMMET | BRR9000M, NBR, CAPI GROMMET | 1 | SA |
| 12 | DA63-03788B | COVER-FIXER HOUSING | W07, GI-SGCC, T0.4 | 2 | SA |

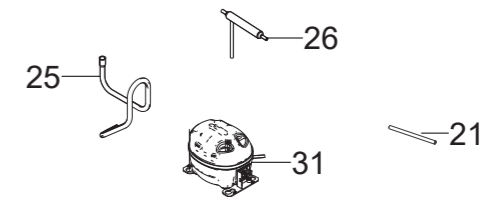
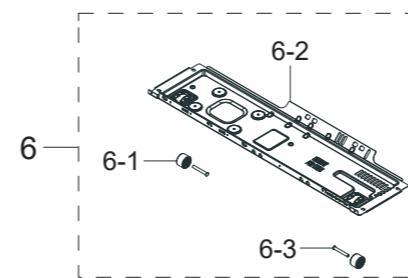
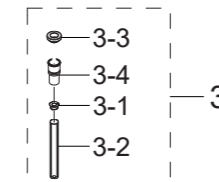
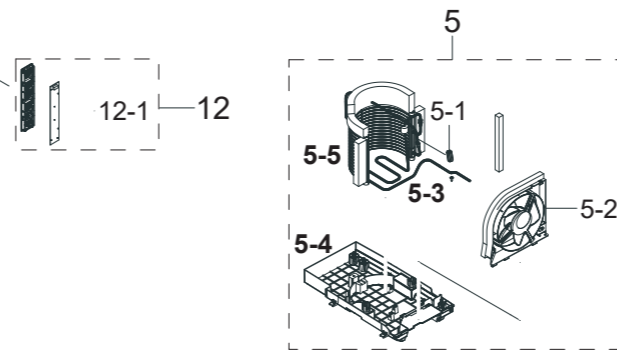
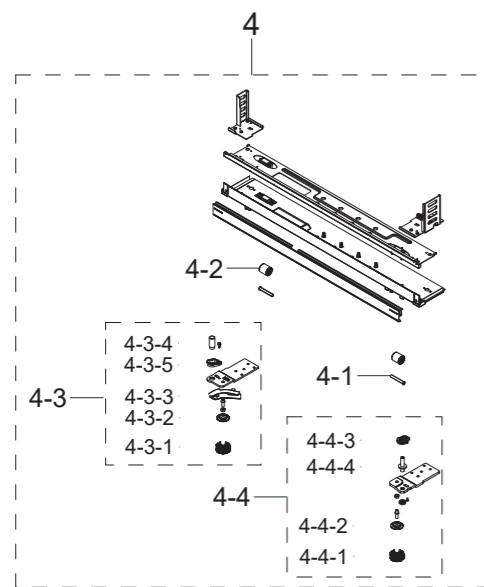
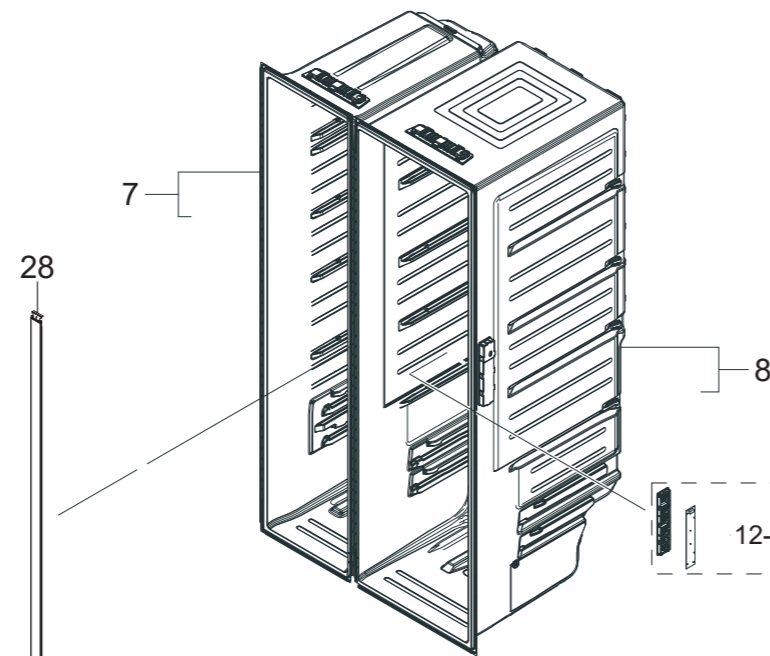
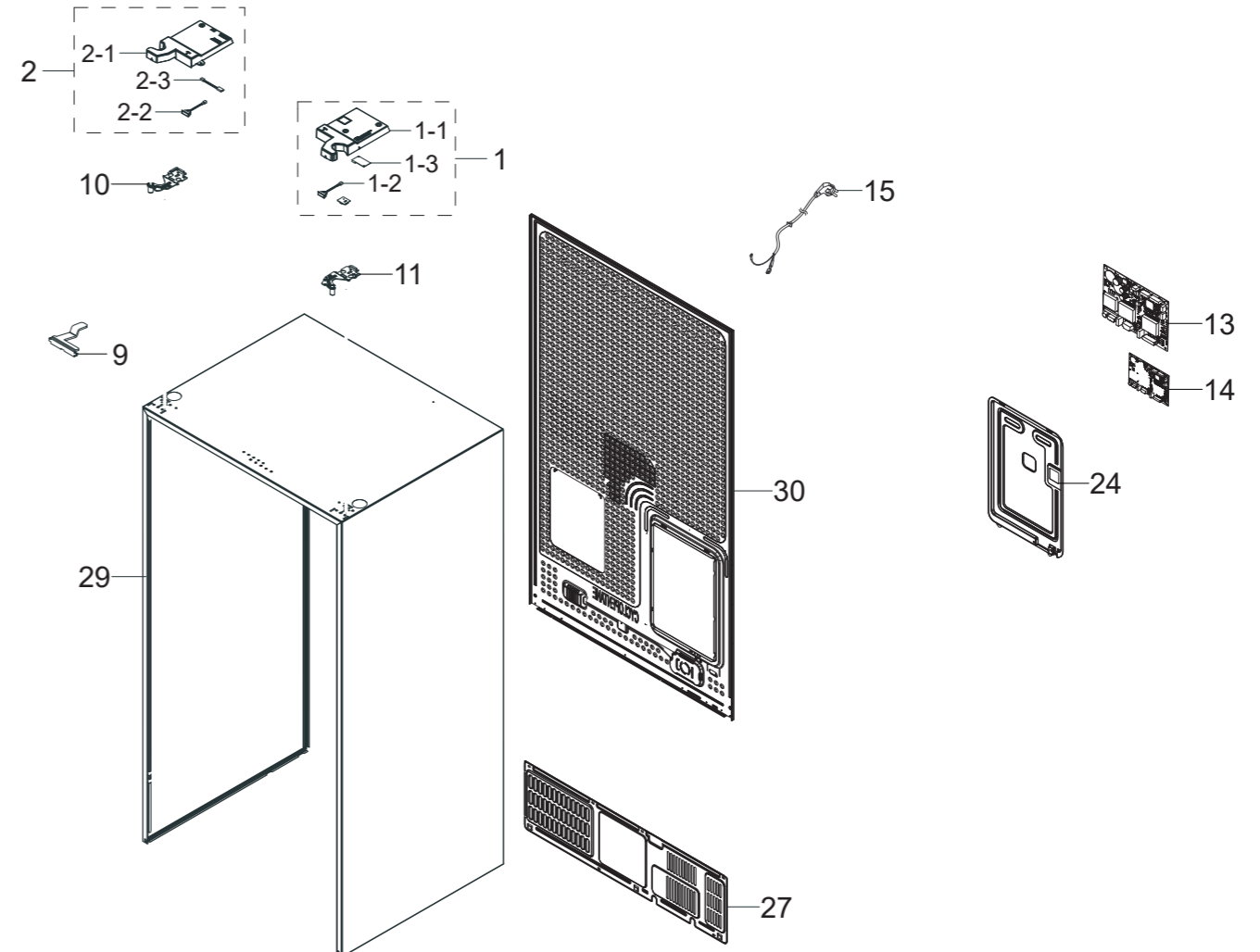
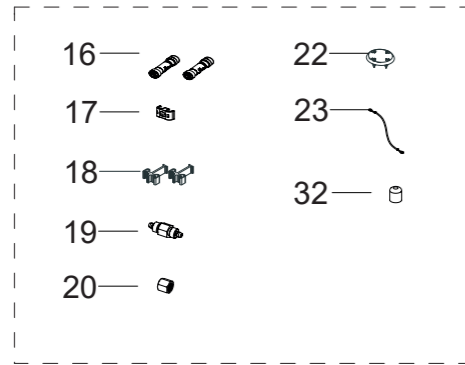
REFRIGERATOR



Service Bom (SA: SERVICE AVAILABLE, SNA: SERVICE NOT AVAILABLE)

| No | MATERIAL CODE | PART NAME | SPECIFICATION | QTY | STATUS |
|-----|---------------|-----------------------------------|--|-----|--------|
| 1 | DA97-20712A | ASSY COVER MULTI-REF MULTI MODULE | RS5300T | 1 | SA |
| 1-1 | DA32-00070S | SENSOR TEMP | SC41200-021A,L650,13.2kohm,2%,0C,7phi | 1 | SA |
| 1-2 | DA62-05389A | INSULATION DUCT-REF | RS5300T,EPS,SE300 | 1 | SNA |
| 1-3 | DA63-09697A | COVER MULTI-REF | RS5300T,PP,HB,COOL WHITE,49MK45 | 1 | SNA |
| 2 | DA97-20677A | ASSY CASE FILTER | RS5300T,110V FS | 1 | SA |
| 2-1 | DA63-08839B | FILTER-WATER | RF8000MC,PP,COOL WHITE,CARTRIDGE NSF53 | 1 | SNA |
| 2-2 | DA63-09712A | COVER FILTER | RS5300T,HIPS,T2.5,COOL WHITE,S834S1 | 1 | SNA |
| 2-3 | DA97-13854D | ASSY TANK WATER-REF | RS5000RC,PP,T3.5,NATURAL | 1 | SNA |
| 2-4 | DA61-10404A | GUIDE HOSE | PP,HB,BJ750,COOL WHITE,L | 5 | SNA |
| 2-5 | DA62-04027C | VALVE WATER | AC110~127V,230,2WAY,L-Wire,1,2,NO | 1 | SNA |
| 3 | DA97-19899D | ASSY CASE LAMP-REF | RB7300T,T2.0,COOL WHITE,LED 5EA | 1 | SA |
| 3-1 | DA96-01119B | ASSY LAMP LED | 5,FR-4,150*12,WHITE,SMAW250-(H)03G,288mA~352mA,DC12V,MIN 260lx,OVER 80 | 1 | SA |
| 4 | DA63-09898A | COVER LAMP | RB7300T,GPPS,T2,HB,TP BLUE,-,HH104 | 1 | SNA |
| 5 | DA97-20631A | ASSY CASE VEG-UP DRAWER MODULE | RS5300T | 1 | SA |
| 6 | DA97-20633A | ASSY CASE VEG-LOW DRAWER MODULE | RS5300T,DISP | 1 | SA |
| 7 | DA97-20645A | ASSY SHELF-FRE UP SHELF MODULE | RS5300T | 4 | SA |
| 8 | DA97-20646A | ASSY SHELF-FRE LOW SHELF MODULE | RS5300T | 1 | SA |

CABINET



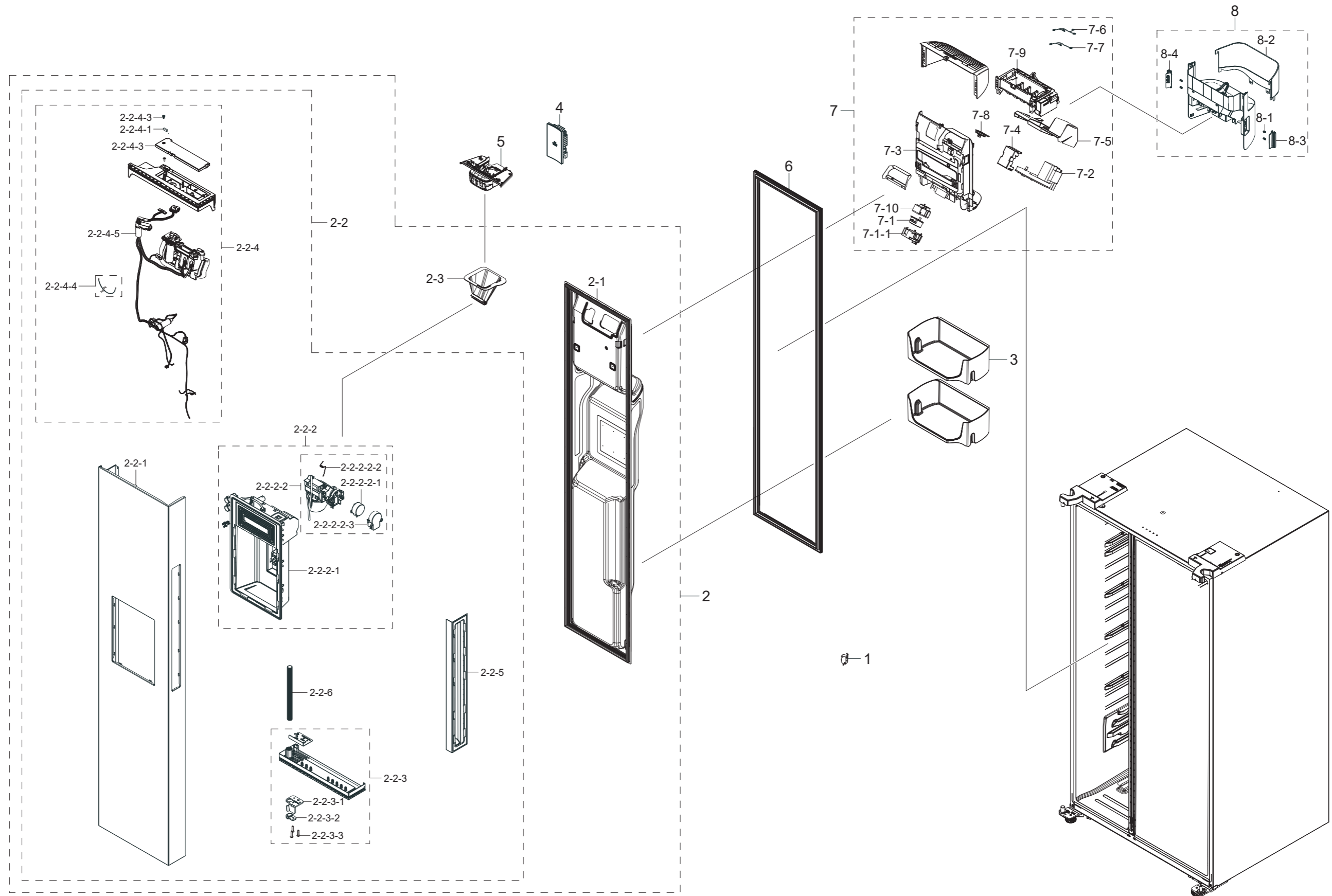
Service Bom (SA: SERVICE AVAILABLE, SNA: SERVICE NOT AVAILABLE)

| No. | MATERIAL CODE | PART NAME | SPECIFICATION | QTY | STATUS |
|-------|---------------|----------------------------|--|-----|--------|
| 1 | DA97-20734A | ASSY COVER HINGE-REF | RS53000TC,ASSY,T2.3,INOX GRAY | 1 | SA |
| 1-1 | DA63-09699A | COVER HINGE-REF | RS53000TC,ABS,T2.3,INOX GRAY,ABS2100 | 1 | SNA |
| 1-2 | DA34-00043J | SWITCH REED | UL1007 AWG 22,50mm | 1 | SA |
| 1-3 | DA92-01137C | ASSY MODULE | DISPLAY,RS5000R,209*36,6KEY,TACT SW,ADA,Dispenser or Flexzone,Standard | 1 | SNA |
| 2 | DA97-20733A | ASSY COVER HINGE-FRE | RS53000TC,ASSY,T2.3,INOX GRAY | 1 | SA |
| 2-1 | DA63-09703A | COVER HINGE-FRE | RS53000TC,ABS,T2.3,INOX GRAY,ABS2100 | 1 | SNA |
| 2-2 | DA34-00043J | SWITCH REED | UL1007 AWG 22,50mm | 1 | SA |
| 2-3 | DA32-00074A | SENSOR HUMIDITY | 5V,0~100%RH,REF | 1 | SA |
| 3 | DA97-04049E | ASSY CAP-DRAIN | AW3 | 1 | SA |
| 3-1 | DA61-04773A | FIXER-DRAIN | AW-PJT,PP,NATURAL,-,P740J | 1 | SNA |
| 3-2 | DA62-01266B | TUBE PVC | AW3,PVC,OD19.4,L155,BLACK | 1 | SA |
| 3-3 | DA63-02761A | GROMMET-DRAIN | RS18RK,NBR,BLACK | 1 | SA |
| 3-4 | DA67-01301A | CAP-DRAIN | AW4,HIPS,HB,576H,NATURAL | 1 | SNA |
| 4 | DA97-20754A | ASSY CABI-BOTTOM FRONT | RS5300T/TC,ULBAN SILVER | 1 | SNA |
| 4-1 | DA61-01920A | FIXER-CASTER | ZPC2,SWRCH10A,OD8.0,L58 | 2 | SA |
| 4-2 | DA61-04702A | CASTER-FRONT | AW-PJT,PP,BLACK | 2 | SA |
| 4-3 | DA97-14046B | ASSY HINGE-LOW LEFT | FSR CD,DISPENSER | 1 | SA |
| 4-3-1 | DA61-07972B | FOOT-FRONT | POLARIS,PP,BLACK,-,P-002HB,INSERT NUT, PP_S | 1 | SA |
| 4-3-2 | DA61-07973B | FOOT | POLARIS,PP,BLACK,-,P-002HB,PP_S | 1 | SA |
| 4-3-3 | DA63-09717A | COVER GUIDE HOSE | RS5300T,PP,T1.5,NATURAL,49MK45 | 1 | SNA |
| 4-3-4 | DA66-00716D | SHAFT HINGE-LOW LEFT | FSR CD,SM45C,OD18.3,ID15.0 | 1 | SNA |
| 4-3-5 | DA66-01127A | CAM RISER-FRE LOW | FSR CD,PA66+GF15%,BLACK,-,KN333G15,ANNEALING | 1 | SA |
| 4-4 | DA97-20700A | ASSY HINGE-LOW RIGHT | RS5300T,T7 | 1 | SA |
| 4-4-1 | DA61-07972B | FOOT-FRONT | POLARIS,PP,BLACK,-,P-002HB,INSERT NUT, PP_S | 1 | SA |
| 4-4-2 | DA61-07973B | FOOT | POLARIS,PP,BLACK,-,P-002HB,PP_S | 1 | SA |
| 4-4-3 | DA66-00891A | CAM-HINGE RISER REF LOW | MONTES ALPHA,PA66+GF15%,BLACK,-,KN333G15,ANNEALING | 1 | SA |
| 4-4-4 | DA66-00911A | SHAFT-HINGE LOW REF | POLARIS,SWCH10A,Zn PLATING | 1 | SA |
| 5 | DA97-20718C | ASSY TRAY DRAIN WATER | RS5300T,Latin America, C160N, PFC B | 1 | SA |
| 5-1 | DA63-40171B | GROMMET-SUCT PIPE A | NBR,ID4,OD20 | 1 | SNA |
| 5-2 | DA97-15765C | ASSY SUPPORT-CIRCUIT MOTOR | RH9000K | 1 | SA |
| 5-3 | DA62-05399B | PIPE IMMERSING-OUT | RS5300T,TSW,OD4.76,T0.7,PFC B | 1 | SNA |
| 5-4 | DA63-09685A | TRAY DRAIN-WATER | RS5300T,PP,HB,BLACK,PFC COND | 1 | SNA |
| 5-5 | DA97-17855A | ASSY CONDENSER-MAIN | PFC-B,A1100,FIN,PLATE,-,-,- | 1 | SNA |
| 6 | DA97-21034A | ASSY CHASSIS COMP | RF6000T,GI-SGCC,T1.2,No Handle | 1 | SA |
| 6-1 | DA61-04703A | CASTER-REAR | AW-PJT,PP,BLACK,M/B(0103-002777),+TPE, BJ750 PP | 2 | SNA |
| 6-2 | DA64-06266A | CHASSIS COMP | RF6000T,GI-SGCC,T1.2,No Handle | 1 | SNA |
| 6-3 | DA66-00649B | SHAFT-CASTER | POLARIS,MSWR10,L44,ID8.0,OD11,ZPC2 | 2 | SA |
| 7 | DA94-05114B | ASSY LINER-FRE | RS5300T,FS | 1 | SNA |

Service Bom (SA: SERVICE AVAILABLE, SNA: SERVICE NOT AVAILABLE)

| No. | MATERIAL CODE | PART NAME | SPECIFICATION | QTY | STATUS |
|------|----------------|------------------------------|--|-----|--------|
| 8 | DA94-05115C | ASSY LINER-REF | RS5300T,FS | 1 | SNA |
| 9 | DA61-04932A | FIXER HINGE-UPP | AW1-12,GI-SGCC,T3 | 2 | SA |
| 10 | DA61-13824A | HINGE-UP LEFT | RS5300TC,PO-SPHC,T3,-,-,-,- | 1 | SA |
| 11 | DA61-13818A | HINGE-UP RIGHT | RS5300TC,PO-SPHC,T3,-,-,-,- | 1 | SA |
| 12 | DA97-19962X | ASSY COVER CONTROL | RS5300T/TC,DISP | 1 | SA |
| 12-1 | DA67-04727B | REFLECTOR | AW3,4_FACE LIFT,ABS,- | 2 | SNA |
| 13 | DA92-01196Q | ASSY PCB MAIN | RS5300T,165x242,110V,12V,5V,FS,Dispenser, ISO, C,Y,SMPS,Standard | 1 | SA |
| 14 | DA92-01137C | ASSY MODULE | DISPLAY,RS5000R,209*36,6KEY,TACT SW,ADA,Dispenser or Flexzone,Standard | 1 | SNA |
| 15 | 3903-001003 | POWER CORD-AT | SPT-3 3x18AWG 105C,BLK,US3F-1,125V/15A,Fuse N,SCREW 1,2P Housing(W to W),L1700,L1500,20/100/100/200,USA,UL/CSA,Label Y | 1 | SA |
| 16 | DA60-00258B | FITTING TUBE | PP,ID1/4,1/4'- 1/4' | 2 | SA |
| 17 | DA61-04712C | FIXER-HOSE | AW,ABS,INNER GRAY,-,CNTK A-204,RECYCLED | 1 | SA |
| 18 | DA61-13913A | FIXER | RS5300T,ABS,T1.5,NEAT WHITE,HG-0760GP,PIPE HOT FIXER | 2 | SA |
| 19 | DA62-01378B | VALVE-FITTING PU | AT06,C3604 | 1 | SNA |
| 20 | DA74-00070B | VALVE-FITTING NUT | A-TOP,C3604,gold | 2 | SA |
| 21 | DA62-05545A | PIPE CONNECT-DISC | Cu,OD6.35,T0.65,C1220T,L90 | 1 | SNA |
| 22 | DA63-04598B | COVER-URETHANE | SSEDA/AW-PJT,ABS,-,-,-,-,-,NATURAL,-,-,-,VE-0856,-,-,-,-,5VA,- | 1 | SA |
| 23 | DA39-00429D | ASSY WIRE HARNESS-EARTH | EARTH,ALL,FREE VOLT,UL+IEC,UL,120mm,1,ST710489-3*2,UL | 1 | SA |
| 24 | DA97-23420A | ASSY COVER PCB-PANEL | AW1-12/RS5300T,ASSY | 1 | SA |
| 25 | DA97-20814B | ASSY PIPE CONNECT | RS5300T,Non UL Shrinkage tube,C1220T,-,-,-,-,- | 1 | SA |
| 26 | DA62-04309F | DRYER | C1220T-H,L137,SINGLE MOUTH,UL Marking (PMS185C),OD15.8,9g | 1 | SA |
| 27 | DA97-12749Q | ASSY COVER COMP | RF6000T, RS5300,GI-SGCC,T0.25 | 1 | SA |
| 28 | DA97-07707J | ASSY CABI FRAME-MIDDLE FRONT | RS5000RC,0.6,THAI-SILVER | 1 | SNA |
| 29 | DA97-20738A | ASSY CABI FRAME | RS5300T,GI,T0.4,URBAN SILVER | 1 | SNA |
| 30 | DA97-23349A | ASSY CABI FRAME-REAR | RS5300T,Size Redcution | 1 | SNA |
| 31 | NF54M5151ARTT3 | CMP,COMP,REFRIGERATOR,R-600A | 0 | 1 | - |
| 32 | DA73-00211A | RUBBER-CAP HOSE | RS8000,Si,-,-,GRAY,- | 1 | SA |

■ DOOR FRE



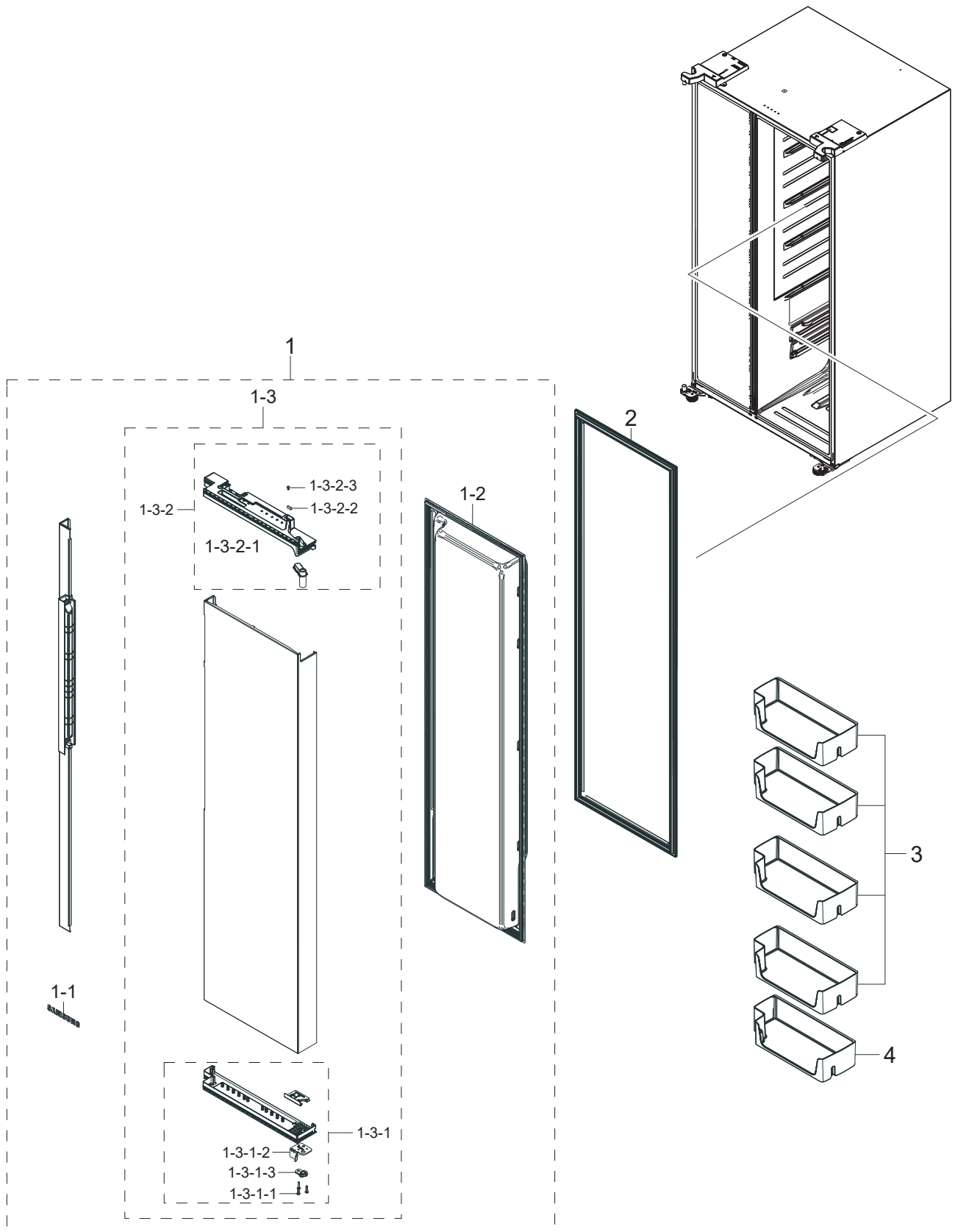
Service Bom (SA: SERVICE AVAILABLE, SNA: SERVICE NOT AVAILABLE)

| No. | MATERIAL CODE | PART NAME | SPECIFICATION | QTY | STATUS |
|-----------|---------------|-----------------------------------|---|-----|--------|
| 1 | 3405-001117 | SWITCH-MICRO | 125/250VAC,1A,80gf,SPST-NO LEVER,T105,BK | 1 | SNA |
| 2 | DA91-05228J | ASSY DOOR FOAM-FRE | RS5300T,MATT DOI METAL(S9),DISP | 1 | SA |
| 2-1 | DA64-06179A | PANEL-FRE | RS5300T,ABS,T1.5,W1250,L1980,QU-0191S,COOL WHITE,DISP Y | 1 | SNA |
| 2-2 | DA97-20764C | ASSY PLATE DOOR-FRE | RS5300T,MATT DOI METAL(S9),DISP | 1 | SNA |
| 2-2-1 | DA61-13831H | PLATE DOOR-FRE | RS5300T,EGI-SECC,T0.5,MATT DOI METAL,DISP,PETHP,SV9021 | 1 | SNA |
| 2-2-2 | DA97-20772D | ASSY CASE DISPENSER | RS5300T,DARK GRAY | 1 | SNA |
| 2-2-2-1 | DA61-13829E | CASE DISPENSER | RS5300T,ABS,T3,DARK GRAY,HG-0760GP | 1 | SNA |
| 2-2-2-2 | DA97-19028B | ASSY CASE ICE ROUTE | RS8000NC,120V | 1 | SA |
| 2-2-2-2-1 | DA31-00079B | MOTOR GEARED AC DISP | MVCC18AR19/MCCC182AA,18RPM,AC120V,40mA,40mA,57.2x54x23mm,-10to+60C,3.5W,CW,4kgf.cm,- | 1 | SNA |
| 2-2-2-2-2 | DA61-01914A | SPRING ETC-COVER ICE ROUTE | QUEEN,STS304,ID5.5,OD7.5 | 1 | SA |
| 2-2-2-2-3 | DA63-07654A | COVER MOTOR | FSR,HIPS,HB,NATURAL,576H | 1 | SNA |
| 2-2-3 | DA97-23182A | ASSY CAP DOOR-FRE LOW | RS5300T DISPENSER,INNER GRAY,RECYCLED ABS | 1 | SNA |
| 2-2-3-1 | DA61-07527A | STOPPER-DOOR FRE LOW | POLARIS,PO-SPHC,T4.0 | 1 | SA |
| 2-2-3-2 | DA66-00558B | CAM HINGE-RISER UPP L | POLARIS,PA66+GF15%,BLACK,-,KN333G15,ANNEALING | 1 | SA |
| 2-2-3-3 | 6001-001377 | SCREW-MACHINE | TH,+,M5,L25,ZPC(WHT),SWRCH18A,FP | 3 | SNA |
| 2-2-4 | DA97-20779B | ASSY CAP DOOR-FRE UP | RS5300T,INOX GRAY,DISP | 1 | SNA |
| 2-2-4-1 | DA61-03769A | MAGNET-A | HERMES,FERRITE,5x7x18,1600Gauss | 1 | SA |
| 2-2-4-2 | DA63-05327D | COVER-CAP DOOR FRE | SSEDA,HIPS,-,HB,NATURAL,-,5470 | 1 | SA |
| 2-2-4-3 | DA67-02795B | CAP-SHAFT HOLE | AW-PJT,PP,T4,HB,BJ750,NATURAL | 1 | SA |
| 2-2-4-4 | DA97-19469B | ASSY PIPE WATER LINE | RS5000,PE-RT,ORANGE,1/4inch,2410mm,-,-,-,D6.35,-,PLUMBING | 1 | SNA |
| 2-2-4-5 | DA96-01389B | ASSY WIRE HARNESS-DOOR | RS5300T,DISP,IN-DOOR IM,SBS,4,YES,YES,YES,100~127VAC,UL+IEC,UL,UL,NA,1,DA63-05241A,FRE DOOR | 1 | SNA |
| 2-2-5 | DA97-20161C | ASSY HANDLE-FRE | RS5300T,BLACK,ASSY, RECESS HANDLE,AL TAPE | 1 | SA |
| 2-2-6 | DA73-10469L | PIPE-WATER | SBS,2007GVE,PVC,L250,LIGHT GRAY,LF-G31 | 1 | SNA |
| 2-3 | DA97-20160B | ASSY GUIDE ICE ROUTE | RS5300T,Assy | 1 | SNA |
| 3 | DA97-20641A | ASSY GUARD-FRE UP DOOR BIN MODULE | RS5300T/TC,GPPS,T3,TP BLUE | 2 | SA |
| 4 | DA97-21146A | ASSY LEVER DISPENSER | RS5300T,EBONY BLACK | 1 | SA |
| 5 | DA97-19031H | ASSY COVER DISPENSER | RS5300,DARK GRAY, BLACK | 1 | SA |
| 6 | DA97-20743B | ASSY GASKET-FRE | RS5300T,INNER GRAY | 1 | SA |
| 7 | DA97-21215D | ASSY CASE AUGER MOTOR | RS5300T,INDOOR, 110V | 1 | SA |
| 7-1 | DA31-00079B | MOTOR GEARED AC DISP | MVCC18AR19/MCCC182AA,18RPM,AC120V,40mA,40mA,57.2x54x23mm,-10to+60C,3.5W,CW,4kgf.cm,- | 1 | SNA |
| 7-1-1 | DA63-04356B | COVER MOTOR-FRONT | GUGGENHEIM,HIPS,NATURAL,576H | 1 | SNA |
| 7-2 | DA31-00210D | MOTOR GEARED-AUGER | ISG-3245SSA/R / ORG-4501Y1,AC110-127V,2.1A,17.3rpm,2.1A,80/55°C T45,CCW, In-Door(Wide), T/P | 1 | SNA |
| 7-3 | DA61-13945B | SUPPORT CASE AUGER | RS5000T,HIPS,T2.5,S834S1,COOL WHITE,- | 1 | SNA |
| 7-4 | DA63-05515A | COVER-MOTOR AUGER COIL | GGH,ABS,-,-,SNOW WHITE,-,VE-0858 | 1 | SNA |
| 7-5 | DA63-09324A | COVER CASE AUGER | RS8000NC,HIPS,T2.5,HB,NATURAL,5470 | 1 | SA |
| 7-6 | DA96-01037D | ASSY WIRE HARNESS-AUGER | ALL,AUGER(NO BUCKET S/W),ALL,YES,YES,YES,FREE VOLT,UL+IEC,UL,UL | 1 | SA |
| 7-7 | DA97-00151B | SWITCH REED | UL1007 AWG 22,230,35151-0210,2.5,5,230 | 1 | SA |
| 7-8 | DA97-11248A | ASSY-CAM LEVER CUBE | INDOOR | 1 | SA |
| 7-9 | DA97-21968A | ASSY ICE MAKER-MECH | RS5300T,INDOOR | 1 | SA |
| 7-10 | DA63-01412B | COVER-MOTOR GEARED | GUGGENHEIM,HIPS,NATURAL,S834S1 | 1 | SNA |

Service Bom (SA: SERVICE AVAILABLE, SNA: SERVICE NOT AVAILABLE)

| No. | MATERIAL CODE | PART NAME | SPECIFICATION | QTY | STATUS |
|-----|---------------|-------------------------|--|-----|--------|
| 8 | DA97-19968C | ASSY TRAY ICE | RS5000RC,TL,INDOOR | 1 | SA |
| 8-1 | DA61-04378A | SPRING ETC-BUCKET LEVER | GUGGENHEIM,STS304 | 4 | SNA |
| 8-2 | DA64-05918A | WINDOW BUCKET | RS5000RC,PCTG,T4,W296,L115,HB,T90G, NATURAL,TRANSPARENT | 1 | SNA |
| 8-3 | DA66-00587A | LEVER-BUCKET L | GUGGENHEIM,ABS,-,W76.7,L19.4,SV- 0157,COOL WHITE,- | 1 | SNA |
| 8-4 | DA66-00588A | LEVER-BUCKET R | GUGGENHEIM,ABS,-,W77.2,L70.9,SV- 0157,COOL WHITE,- | 1 | SNA |

■ DOOR REF



Service Bom (SA: SERVICE AVAILABLE, SNA: SERVICE NOT AVAILABLE)

| No. | MATERIAL CODE | PART NAME | SPECIFICATION | QTY | STATUS |
|---------|---------------|------------------------------------|--|-----|--------|
| 1 | DA91-05229B | ASSY DOOR FOAM-REF | RS5300T,MATT DOI METAL(S9),BASIC | 1 | SA |
| 1-1 | DA64-04020A | MASCOT | All,Ni | 1 | SA |
| 1-2 | DA64-06176A | PANEL-REF | RS5300T,ABS,T1.5,W1250,L1980,QU-0191S,COOL WHITE,BASIC | 1 | SNA |
| 1-3 | DA97-20765C | ASSY PLATE DOOR-REF | RS5300T,MATT DOI METAL(S9),BASIC | 1 | SNA |
| 1-3-1 | DA97-23183A | ASSY CAP DOOR-REF LOW | RS5300T,INNER GRAY,RECYCLED ABS | 1 | SNA |
| 1-3-1-1 | 6001-001377 | SCREW-MACHINE | TH,+,M5,L25,ZPC(WHT),SWRCH18A,FP | 3 | SNA |
| 1-3-1-2 | DA61-07526A | STOPPER-DOOR REF LOW | POLARIS,PO-SPHC,T4.0 | 1 | SA |
| 1-3-1-3 | DA66-00557A | CAM HINGE-RISER UPP R | GUGGENHEIM,PA66+GF15%,BLACK,-,KN333G15 | 1 | SA |
| 1-3-2 | DA97-20774B | ASSY CAP DOOR-REF UP | RS5300T,INOX GRAY | 1 | SNA |
| 1-3-2-1 | DA67-04995A | CAP DOOR-REF UP | RS5300,ABS,T2.3,HG-0760GP,INOX GRAY,BASIC OPTION | 1 | SNA |
| 1-3-2-2 | DA61-03769A | MAGNET-A | HERMES,FERRITE,5x7x18,1600Gauss | 1 | SA |
| 1-3-2-3 | DA67-02795B | CAP-SHAFT HOLE | AW-PJT,PP,T4,HB,BJ750,NATURAL | 1 | SA |
| 2 | DA97-20742B | ASSY GASKET-REF | RS5300T,INNER GRAY | 1 | SA |
| 3 | DA97-20638A | ASSY GUARD-REF UP DOOR BIN MODULE | RS5300T/TC,GPPS,T3,TP BLUE | 4 | SA |
| 4 | DA97-20639A | ASSY GUARD-REF LOW DOOR BIN MODULE | RS5300T,GPPS,T3,TP BLUE,F/S | 1 | SA |